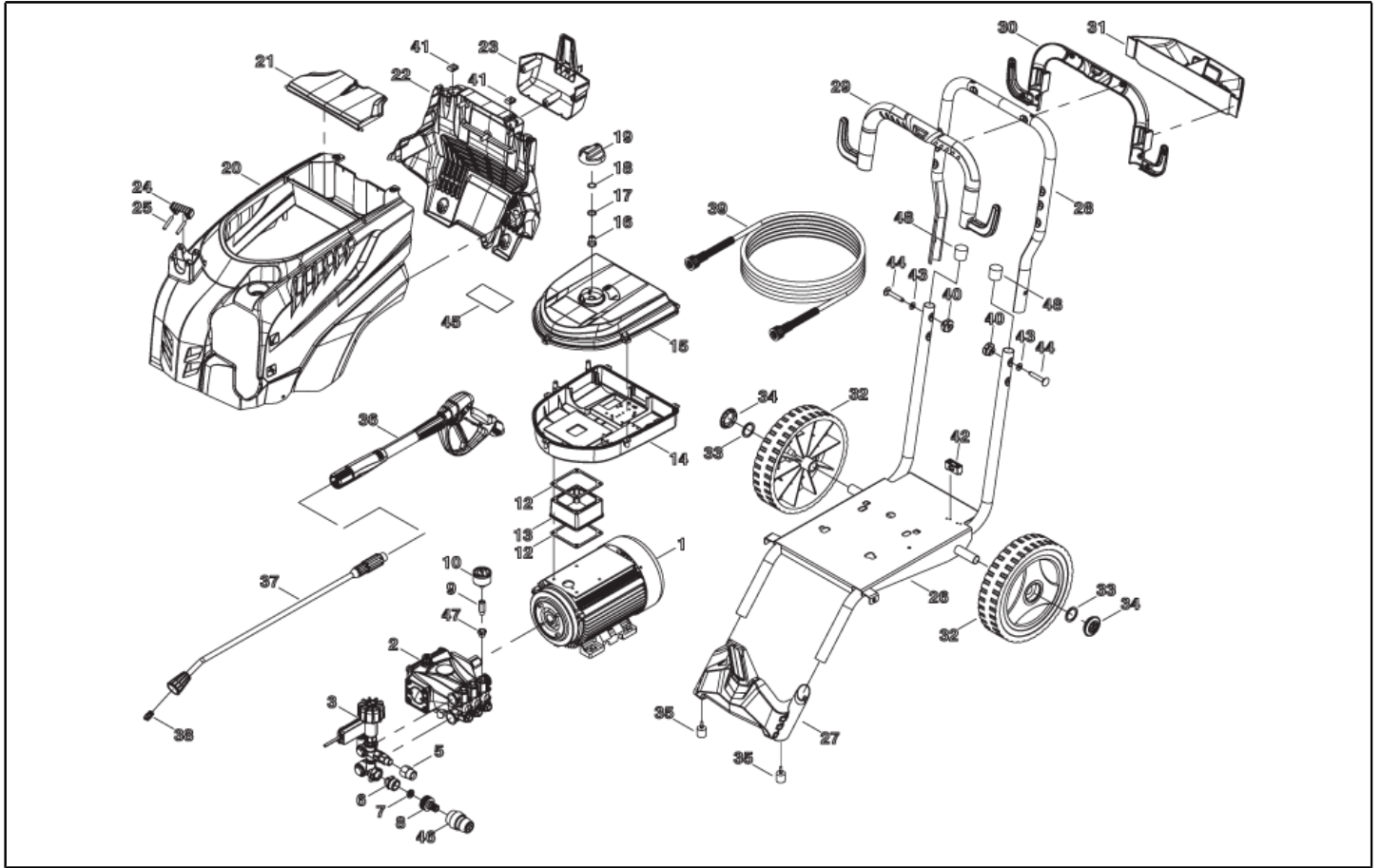
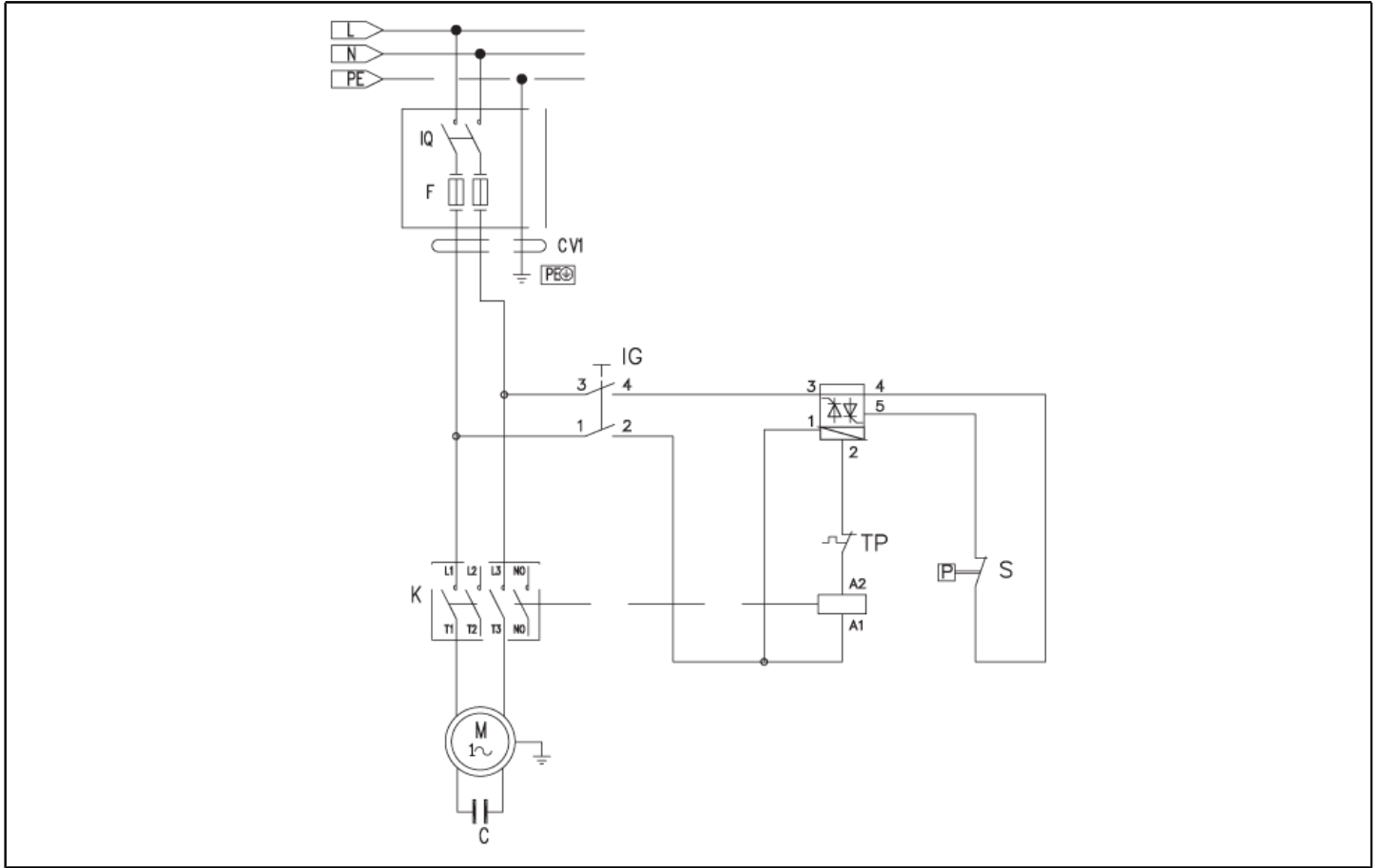


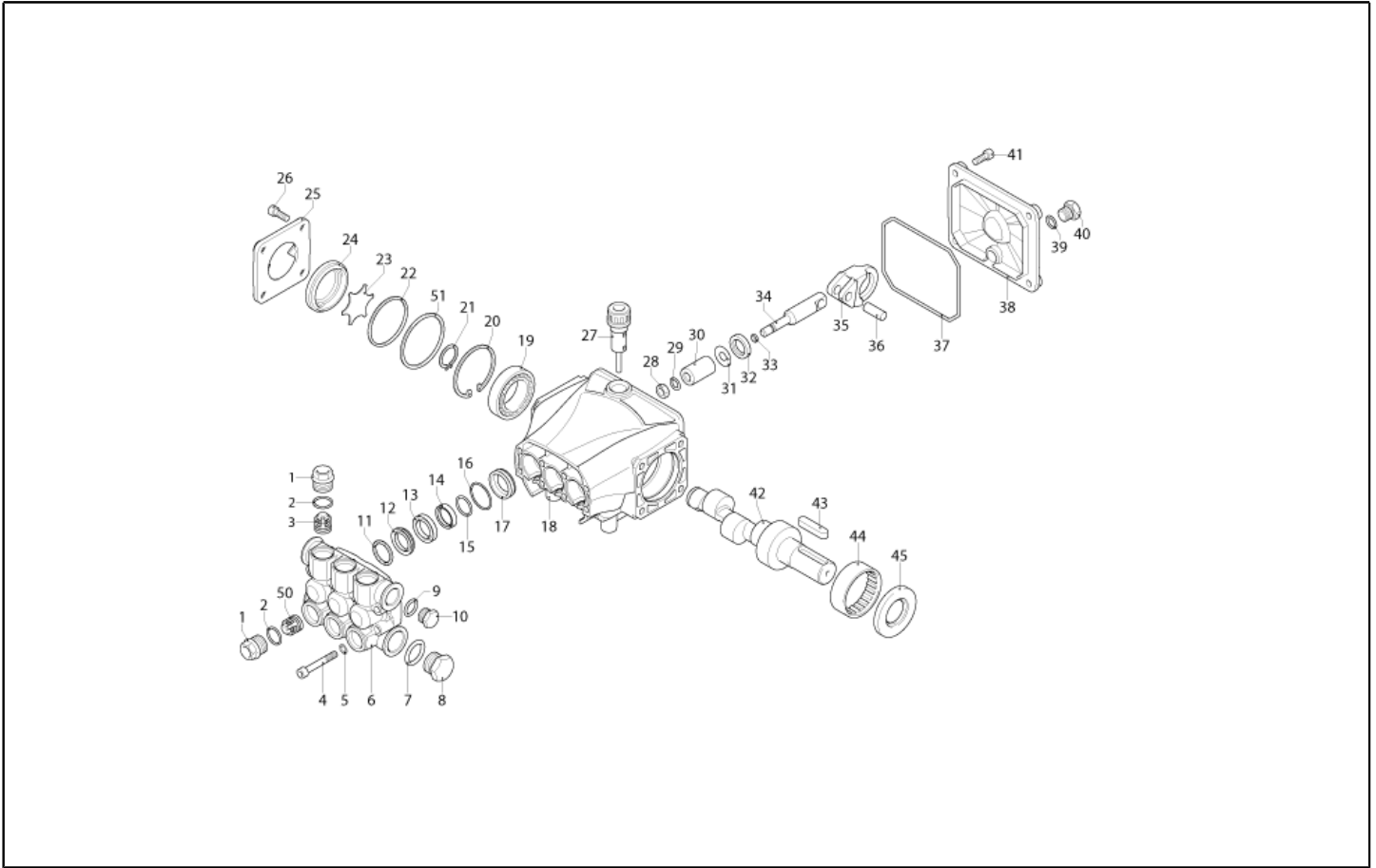
Ref. K	Part N.	Part N. 2	Description	Quantity	Validity		Price
					From	To	
0001	MOMO40074	N/A	1PH MOTOR C45/AC HP 3 230-50 4P k	1,00			--
0002	PPAP40085	N/A	PUMP RC 8.15 DX N	1,00			--
0003	VVAZ40007	N/A	VALVE AR M.MATIC 4/B-RC+TS S/I.	1,00			--
0005	RCIN03753	N/A	MALE COUPLING M22-3/8 M-FA	1,00			--
0006	RCDS87610	N/A	NIPPLE 3/4 - 1/2 CB D.13.0	1,00			--
0007	FTDT12702	N/A	FILTER PA	1,00			--
0008	RCVR29600	N/A	SOCKET PTC 3/4 F	1,00			--
0009	RCDS40273	N/A	COLUMN M-F 1/8 L=42 MM ZC.	1,00			--
0010	MNMN40007	N/A	PRESSURE GAUGE 0-30MPa D.40 1/8	1,00			--
0012	GUGO10881	N/A	GASKET M.EL. 73X73	2,00			--
0013	MPVR40927	N/A	SPACER PW-C45 EME H.45.0 ABS	1,00			--
0014	MPVR40938	N/A	CONTROL BOX PW-C45 P/H90 ABS BK.	1,00			--
0015	MPVR40908	N/A	BOX COVER PW-C45 ABS BK.	1,00			--
0016	MPVR23482	N/A	SWITCH TANG TEC. TUV	1,00			--
0017	GUGO25527	N/A	O-RING D. 14 X 3 NBR 70SH	1,00			--
0018	VTRS40008	N/A	WASHER D. 3,2X 9 X0,8 NYL	2,00			--
0019	MPVR49057	N/A	BLACK KNOB P176-M.RACE PA6	1,00			--
0020	MPVR40956	N/A	GREEN COVER PW-C45 PPL V.9472	1,00			--
0021	MPVR40906	N/A	DOOR PW-C45 PPL BK.	1,00			--
0022	MPVR40904	N/A	BACK PANEL PW-C45 PP BK.	1,00			--
0023	MPVR40909	N/A	TOOL HOLDER PW-C45 PP BK.	1,00			--
0024	MPVR40485	N/A	RUBBER PW-H35 15-20BK.	1,00			--
0025	MPVR40534	N/A	PIN PW-H35 PP BK.	2,00			--
0026	LAFN40977	N/A	TROLLEY PW-C45	1,00			--
0027	MPVR40905	N/A	FOOT PW-C45 PP BK.	1,00			--
0028	LAFN40991	N/A	HANDLE PW-C45/55 BK.	1,00			--
0029	MPVR40910	N/A	HALF BEARING PW-C45 ANT. PP BK.	1,00			--
0030	MPVR40911	N/A	HALF BEARING PW-C45 PST. PP BK.	1,00			--
0031	MPVR40915	N/A	TOOL HOLDER PW-C45 HAN.PP BK.	1,00			--
0032	RTRT40019	N/A	WHEEL D.250-D.20X 58 RES BK.	2,00			--
0033	VTRS28558	N/A	WASHER D.20	2,00			--
0034	MPVR40782	N/A	HUB CAP D.50 G-48/IPC BK.	2,00			--
0035	MPVR60553	N/A	FOOT GOMMA 20X20 AQ EPDR50	2,00			--
0036	IPPR40020	N/A	GRIP G 6000+P.330 +M22 SW.M V	1,00			--
0037	LCPR40087	N/A	EXTENSION P 70 -P20.IX700 M22 M	1,00			--
0038	UGLN49985	N/A	NOZZLE LECH 1/4 1503	1,00			--
0039	TBAP25324	N/A	H.P. HOSE R1 MT 10 5/16" C/2 IRV ZC	1,00			--
0040	VTVR40062	N/A	HANDWHEEL F 8MA THF40 +CAP	2,00			--
0041	VTVR40064	N/A	PLATE M 5 SP.1.5 BR.	2,00			--
0042	MEVR20906	N/A	CABLE CLAMP KSM	1,00			--
0043	VTRS00504	N/A	WASHER D. 8 ZC. UNI 6592	2,00			--
0044	VTVT40070	N/A	SCREW M 8X 50 TTQST UNI 5731	2,00			--
0045	ETET41262	N/A	LABEL LED PW-C45 PLC	1,00			--
0046	RCVR29602	N/A	CONNECTOR D. 1/2"-5/8" PTC	1,00			--



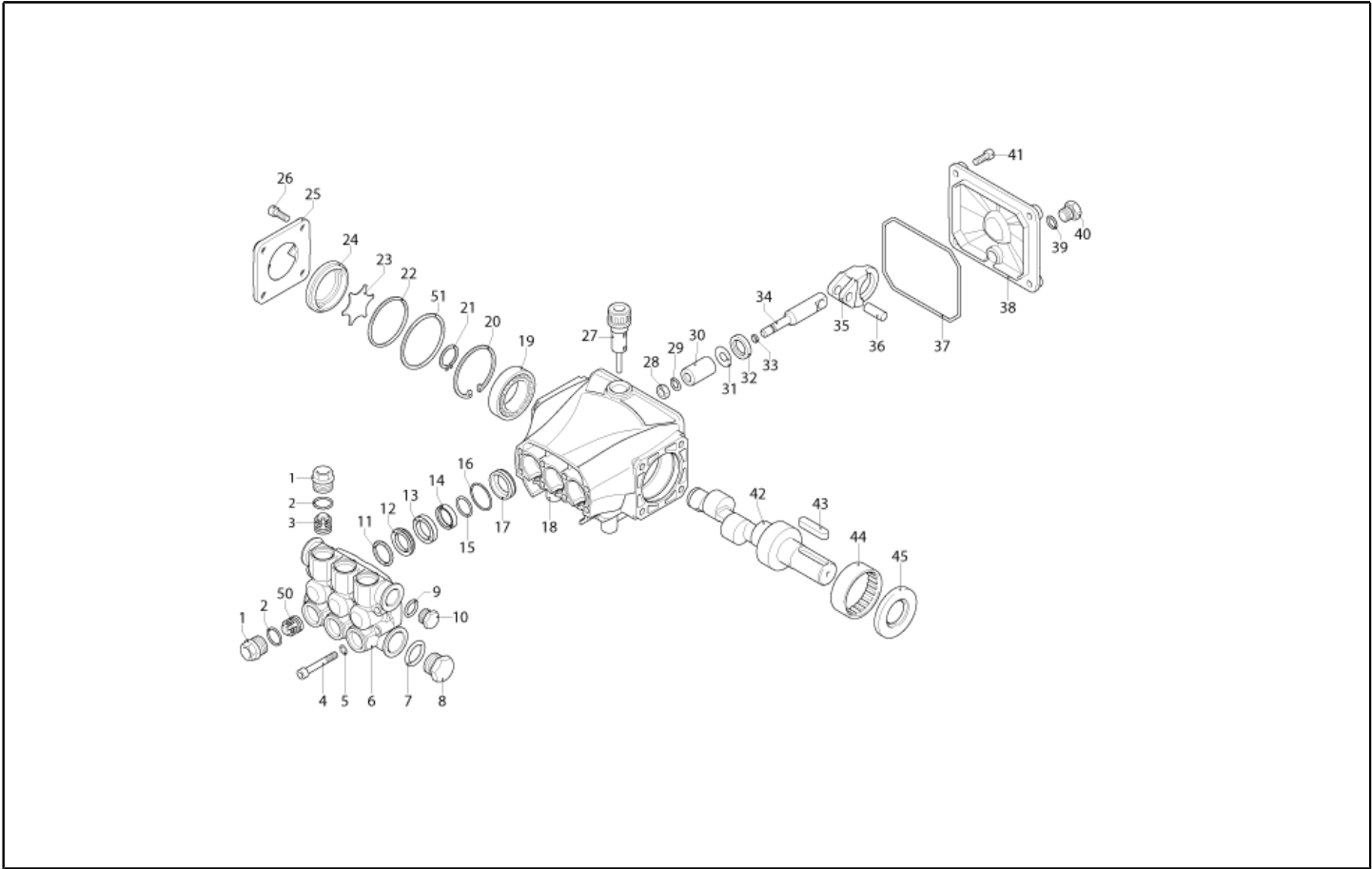
Ref. K	Part N.	Part N. 2	Description	Quantity	Validity		Price
					From	To	
0047	PVVR40183	N/A	CAP AR RC C/F. 1/8F+OR	1,00			--
0048	MPVR01696	N/A	PROD D.25 1.02.107	2,00			--



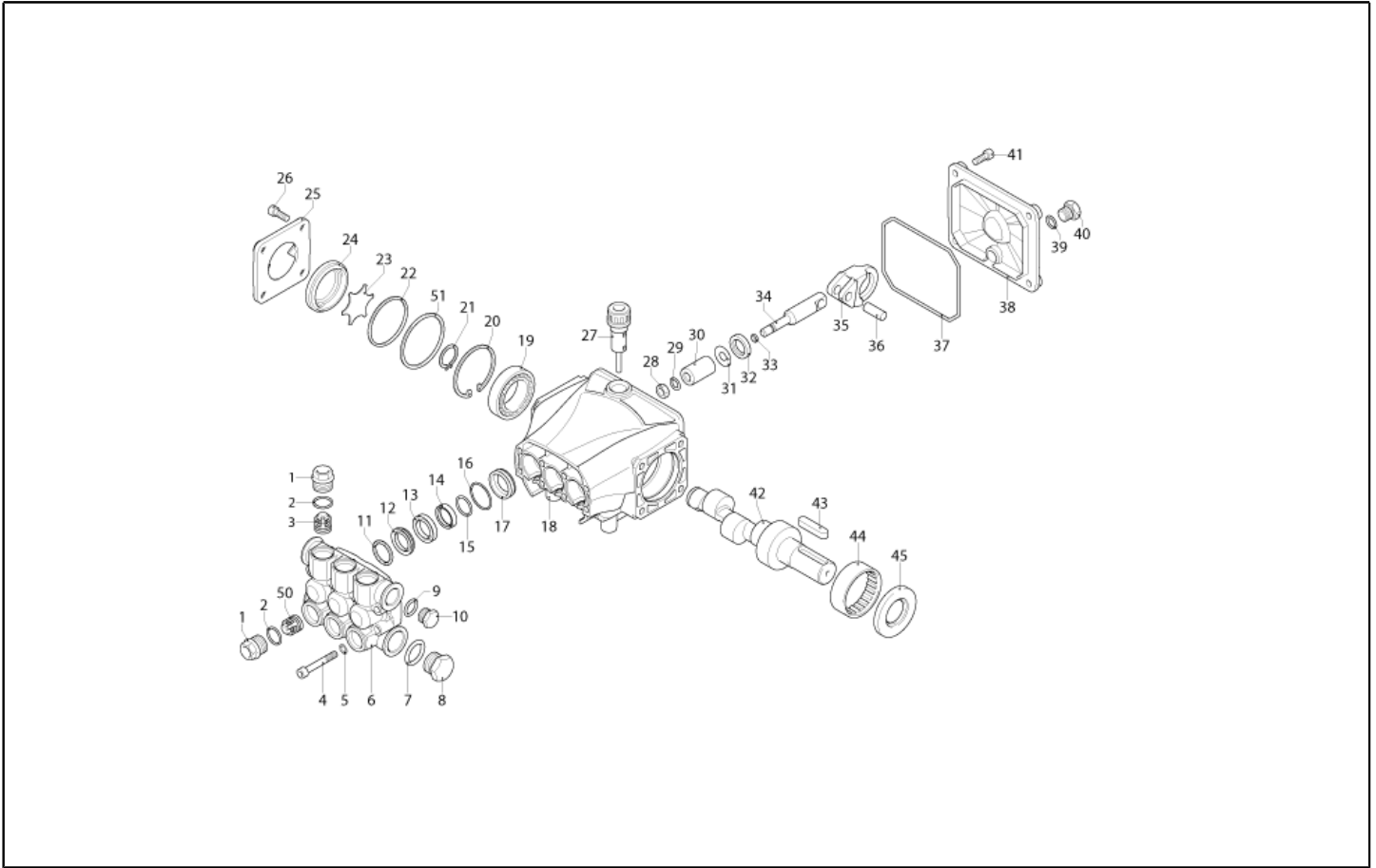
Ref. K	Part N.	Part N. 2	Description	Quantity	Validity		Price
					From	To	
C	MECO47428	N/A	CAPACITOR 70 MF 450V FST.D.50X120	1,00			--
K	METT40011	N/A	CONTACTOR SIE 3RT 2017-1AN21 220V	1,00			--
IG	MECI40020	N/A	SWITCH BRM BP. 0-1 12A	1,00			--
TM	METY40022	N/A	TIMER THV/1Eco. 220-5/60 30S.	1,00			--
CV1	MECB40330	N/A	CABLE H05 VVF 3X1.5 L=6.500 BR.	1,00			--



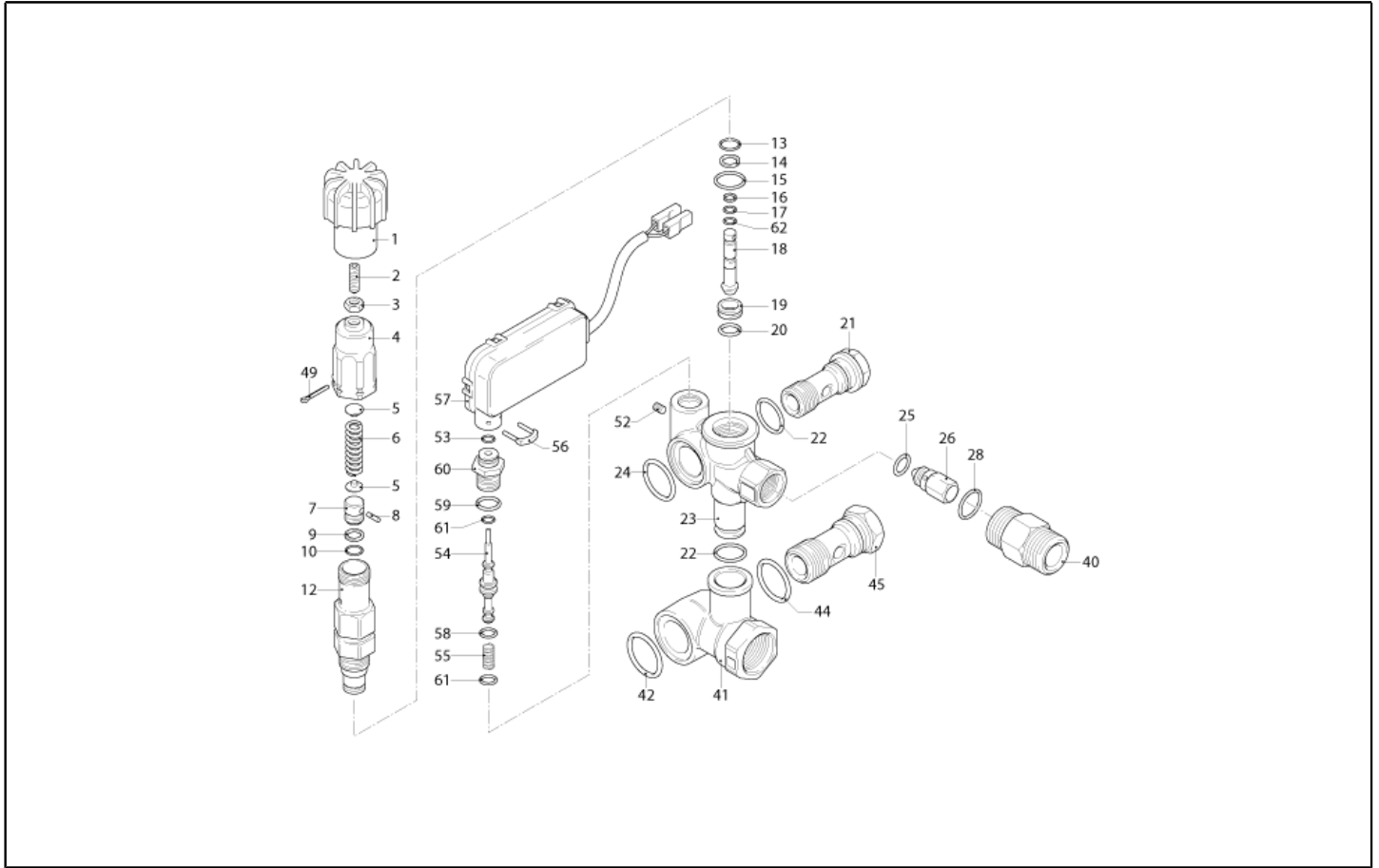
Ref. K	Part N.	Part N. 2	Description	Quantity	Validity		Price
					From	To	
0001	PVVR40120	N/A	CAP AR RC	6,00			--
0002	GUGO03505	N/A	O-RING D. 15.6 X 1.78 NBR 70SH	6,00			--
0003	S VVAM40002	N/A	VALVE UNIT RC	3,00	01/08/2012		--
0003	S VVAM40002	N/A	VALVE UNIT RC	6,00		31/07/2012	--
0004	VTVT06236	N/A	SCREW TCCE UNI 5931 6X40 ZB	8,00			--
0005	VTRS01077	N/A	WASHER D. 6.4X10X0,7	8,00			--
0006	MFVR40019	N/A	HEAD AR RC OT.	1,00			--
0007	GUGO19245	N/A	O-RING D. 17.5 X 2 NBR 70SH	1,00			--
0008	PVVR40121	N/A	CAP 1/2 M RC	1,00			--
0009	GUGO09720	N/A	O-RING D. 14 X 1.78 NBR 70SH	1,00			--
0010	PVVR40099	N/A	CAP 3/8 M HRM	1,00			--
0011	S PVVR40122	N/A	HEAD RING D. 18 RC	3,00			--
0012	S GUVR40035	N/A	PACKING D. 18 RC H.P.	3,00			--
0013	PVVR40123	N/A	INTERMED. RING D. 18 RC	3,00			--
0014	S GUVR40036	N/A	PACKING D. 18 RC L.P.	3,00			--
0015	S GUVR40037	N/A	ANTI-EXTR.RING D.21	3,00			--
0016	S GUGO19290	N/A	O-RING D. 23.52 X 1.78 NBR 70SH	3,00		31/03/2014	--
0016	S GUGO08182	N/A	O-RING D. 21.91 X 1.78 NBR 70SH	3,00	01/04/2014		--
0017	PVVR40124	N/A	PACKING RETAIN. D. 18 RC	3,00			--
0018	MFVR40020	N/A	PUMP CRANKCASE AR RC	1,00		31/03/2014	--
0018	MFVR40027	N/A	PUMP CRANKCASE AR RCS	1,00	01/04/2014		--
0019	CUVR28336	N/A	BALL BEARING 6304	1,00			--
0020	VTAE09661	N/A	CIRCLIP D. 52 UNI 7437	1,00			--
0021	VTAE06193	N/A	CIRCLIP D. 20 UNI 7435	1,00			--
0022	GUGO02561	N/A	O-RING D. 47.3 X 2.62 NBR 70SH	1,00			--
0023	PVVR40125	N/A	DISC RC	1,00			--
0024	PVVR40126	N/A	OIL INDICATOR RC	1,00			--
0025	MFVR40021	N/A	CRANKASE COVER AR RC LT.	1,00			--
0026	VTVT01531	N/A	SCREW TE 6X 16 UNI 5739	4,00			--
0027	PVVR19231	N/A	OIL CAP XTS	1,00		31/03/2014	--
0028	VTDD00483	N/A	NUT M 8 ZIN UNI 5588	3,00			--
0029	VTRS19394	N/A	WASHER D. 8X13X0,5	3,00			--
0030	S PIVR40005	N/A	PISTON D.18X30 RC	3,00			--
0031	PVVR19233	N/A	DISC XTS	3,00			--
0032	S GUGO09690	N/A	OIL SEAL 15X 24X 5 NBR70	3,00			--
0033	GUGO08071	N/A	O-RING D. 4.48 X 1.78 NBR 70SH	3,00			--
0034	PVVR40127	N/A	PISTON GUIDE RC	3,00			--
0035	BLVR40001	N/A	CONNECTING ROD RC	3,00			--
0036	PVVR40128	N/A	GUIDGEON D. 9X23 RC	3,00			--
0037	GUGO18695	N/A	O-RING D. 101.27 X 2.62 NBR 70SH	1,00			--
0038	MFVR40022	N/A	CRANKASE COVER AR RC	1,00			--
0039	GUGO01036	N/A	O-RING D. 10.82 X 1.78 NBR 70SH	1,00			--
0040	PVVR40129	N/A	CAP 1/4 M RC	1,00			--
0041	VTVT09913	N/A	SCREW TCEI 6X16 UNI5931	4,00		31/03/2014	--



Ref. K	Part N.	Part N. 2	Description	Quantity	Validity		Price
					From	To	
0041	VTVT09913	N/A	SCREW TCEI 6X16 UNI5931	4,00	01/04/2014		--
0042	ALMO40025	N/A	SHAFT AR RCS 10LT VRS. N	1,00			--
0043	VTVR41531	N/A	KEY 8X 7X35 UNI 6604A	1,00			--
0044	CUVR23636	N/A	ROLLER BEARING HK 4516	1,00			--
0045	S GUGO00999	N/A	OIL SEAL 25X 52X 7 NBR70	1,00			--
0050	S VVAM40007	N/A	VALVE UNIT RC ASP. BK	3,00	01/08/2012		--
0051	PVVR40437	N/A	RING D. 51.8 X0.5	1,00	01/04/2014		--

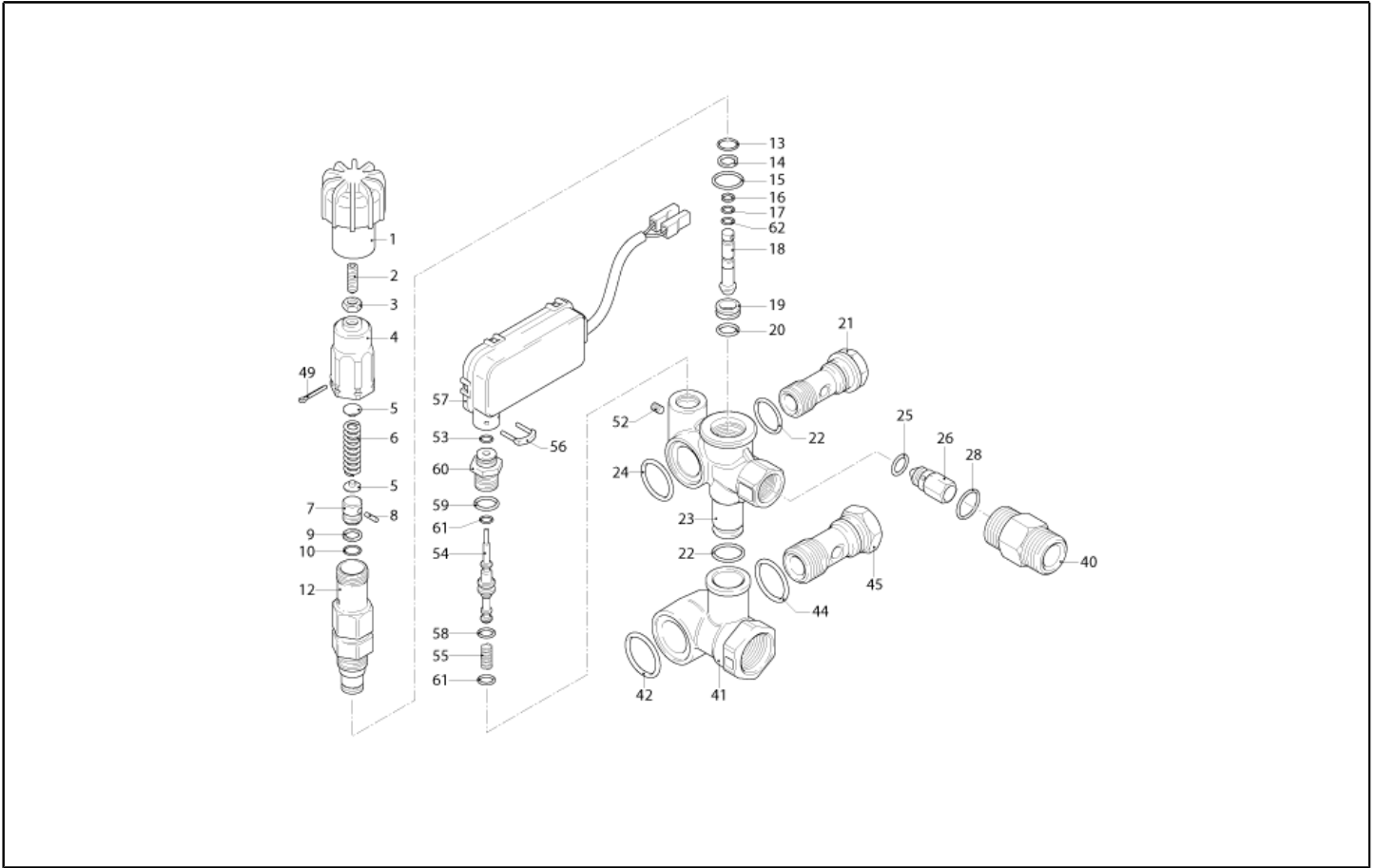


Ref. Part N.	Cust. Part N.	Description	Reference	Price
KTRI40092		KIT P 15-2186 RC	0003	--
KTRI40093		KIT P 15-42917 RC	0030	--
KTRI40094		KIT P 15-42919 D.18 RC	0012 0014 0015 0016	--
KTRI40095		KIT P 15-42903 D.18 RC	0011	--
KTRI40096		KIT P 15-42918 RC	0032 0045	--
KTRI40207		KIT P 15-42914 RC 3+3 BL./WH.	0003 0050	--

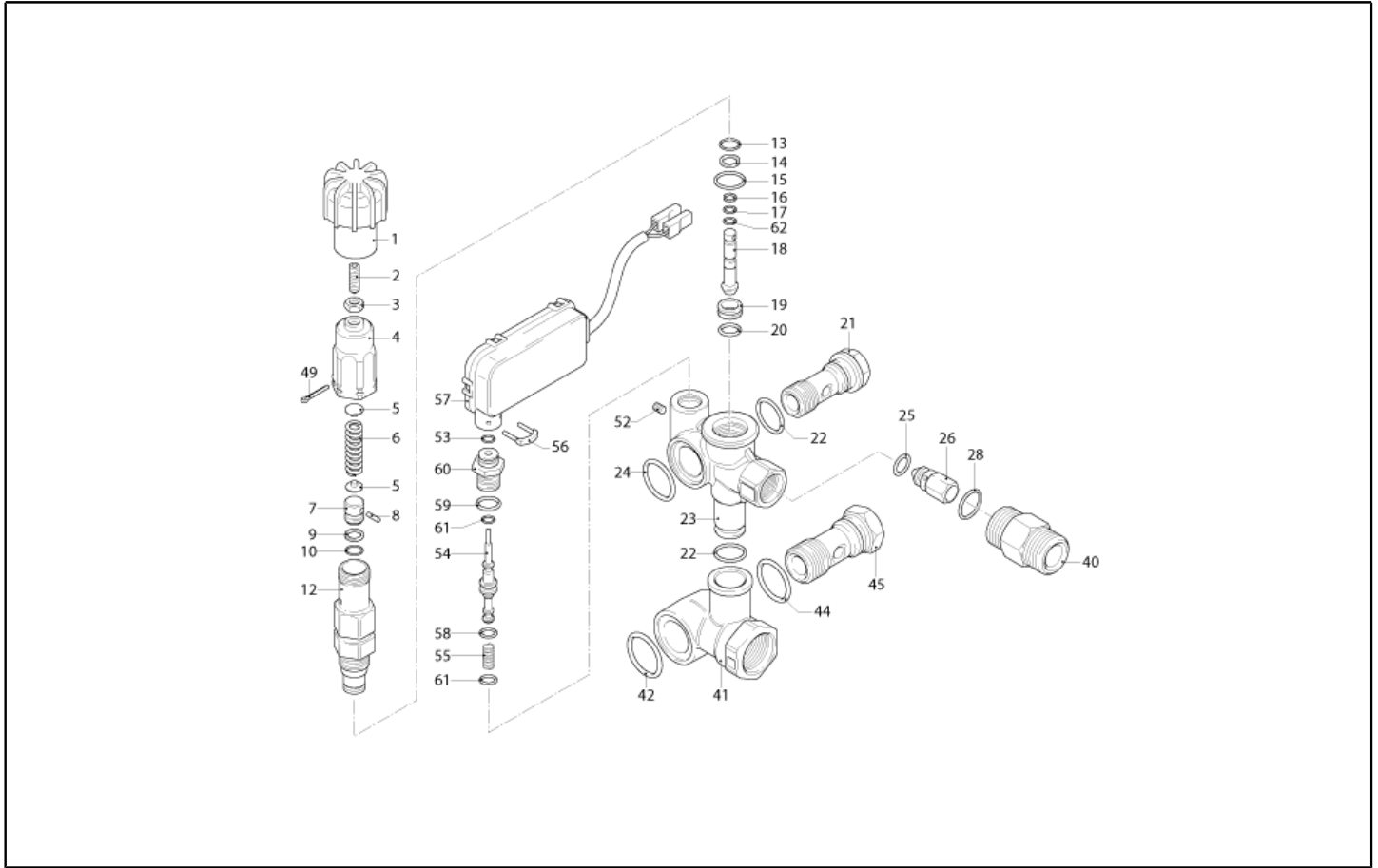


Ref. K	Part N.	Part N. 2	Description	Quantity	Validity		Price
					From	To	
0001	PVVR40227	N/A	KNOB M.MT/4B	1,00			--
0002	VTVT19524	N/A	SCREW EI-ST 6X16 UNI 5923	1,00			--
0003	VTDD00482	N/A	NUT M 6 ZIN UNI 5588	1,00			--
0004	PVVR40236	N/A	KNOB M.MT/4B	1,00			--
0005	PVVR40067	N/A	SPRING PLATE AR XJS	2,00			--
0006	MLML40007	N/A	SPRING D. 10.8X48.9 D.2.8 XJS	1,00			--
0007	S PVVR40068	N/A	SMALL PISTON AR XJS SP.	1,00			--
0008	S VTVR19193	N/A	PLUG D. 2.5X10	1,00			--
0009	S GUVR40026	N/A	ANTI-EXTR.RING D. 8	1,00			--
0010	S GUGO06988	N/A	O-RING D. 7.66 X 1.78 NBR 70SH	1,00		30/06/2013	--
0010	S GUGO40179	N/A	O-RING D. 8 X 2 NBR 70SH	1,00	01/07/2013		--
0012	S PVVR40069	N/A	PISTON GUIDE AR XJS	1,00		30/06/2013	--
0012	S PVVR40385	N/A	PISTON GUIDE AR XJS 2V.	1,00	01/07/2013		--
0013	S GUGO09720	N/A	O-RING D. 14 X 1.78 NBR 70SH	1,00			--
0014	S GUGO12490	N/A	O-RING D. 8.74 X 1.78 NBR 70SH	1,00			--
0015	S GUGO02259	N/A	O-RING D. 15.54 X 2.62 NBR 70SH	1,00			--
0016	S GUVR40027	N/A	ANTI-EXTR.RING D. 3.7	1,00			--
0017	S GUGO19189	N/A	O-RING D. 2.90 X 1.78 NBR 70SH	4,00			--
0018	S PVVR40070	N/A	CONTROL PISTON AR XJS IF.	1,00			--
0019	S PVVR40071	N/A	VALVE SEAT AR XJS	1,00			--
0020	S GUGO41692	N/A	O-RING D. 9 X 1 NBR 70SH	1,00			--
0021	RCDS40068	N/A	SCREW G 3/8 M.MATIC 4/B OT.	1,00			--
0022	GUGO01047	N/A	O-RING D. 11.91 X 2.62 NBR 70SH	2,00			--
0023	PVVR40134	N/A	VALVE BODY M.MATIC 4/B TSS	1,00			--
0024	GUGO19395	N/A	O-RING D. 20.24 X 2.62 NBR 70SH	1,00			--
0025	S GUGO12494	N/A	O-RING D. 4 X 2.5 -NBR 70SH	1,00			--
0026	S PVVR40074	N/A	COUPLING N.RIT. XJS	1,00			--
0027	S MLML32257	N/A	SPRING D. 6.5 X14 D.0.5	1,00		30/06/2013	--
0028	S GUGO11652	N/A	O-RING D. 12.42 X 1.78 NBR 70SH	1,00			--
0040	RCDS40069	N/A	NIPPLE G 3/8 M.MATIC 4/B	1,00			--
0041	PVVR40131	N/A	CONNECTOR M.MATIC 4/B	1,00			--
0042	GUGO76542	N/A	O-RING D. 23.47 X 2.62 NBR 70SH	1,00			--
0044	GUGO01058	N/A	O-RING D. 17.17 X 1.78 NBR 70SH	1,00			--
0045	RCDS40070	N/A	SCREW G 1/2 M.MATIC 4/B	1,00			--
0049	VTVR40025	N/A	SPLIT PIN D. 2,6X15	1,00			--
0052	VTVT40019	N/A	SCREW M 3X 5 EI-ST UNI 5923	1,00			--
0053	GUGO19207	N/A	O-RING D. 1.78 X 1.78 NBR 70SH	1,00			--
0054	PVVR40136	N/A	CONTROL PISTON AR TSS M.MTC	1,00			--
0055	MLML40017	N/A	SPRING D. 8.7 X15.9 D.1.2	1,00			--
0056	LAFN40212	N/A	PLUG "U" AR TSS	1,00			--
0057	MEPF40019	N/A	PRESSURE SWITCH AR TSS 220V N.A. L.410	1,00			--
0058	GUGO12489	N/A	O-RING D. 6.07 X 1.78 NBR 70SH	1,00			--
0059	GUGO03496	N/A	O-RING D. 9.25 X 1.78 NBR 70SH	1,00			--
0060	PVVR40137	N/A	PISTON GUIDE AR TSS M.MATIC	1,00			--

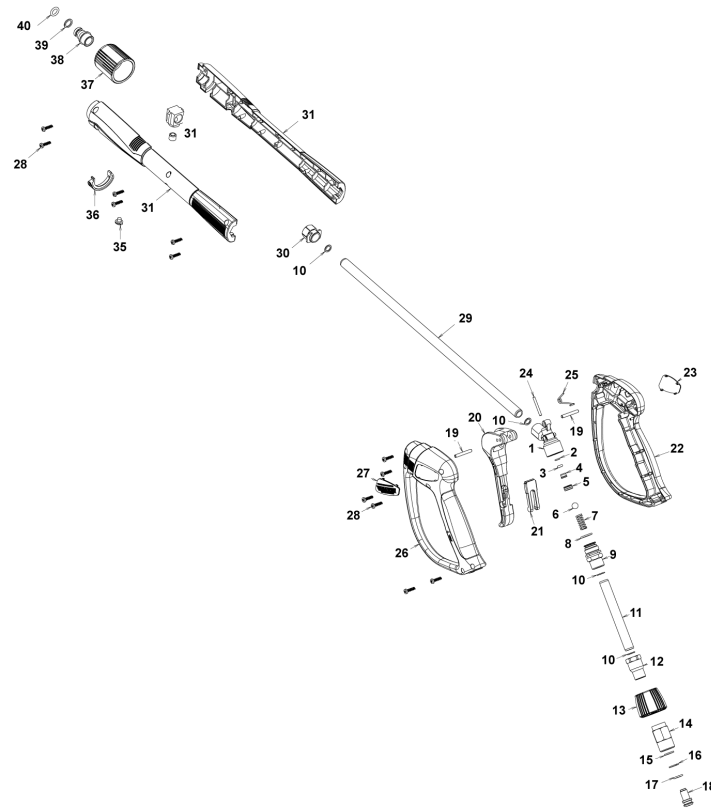




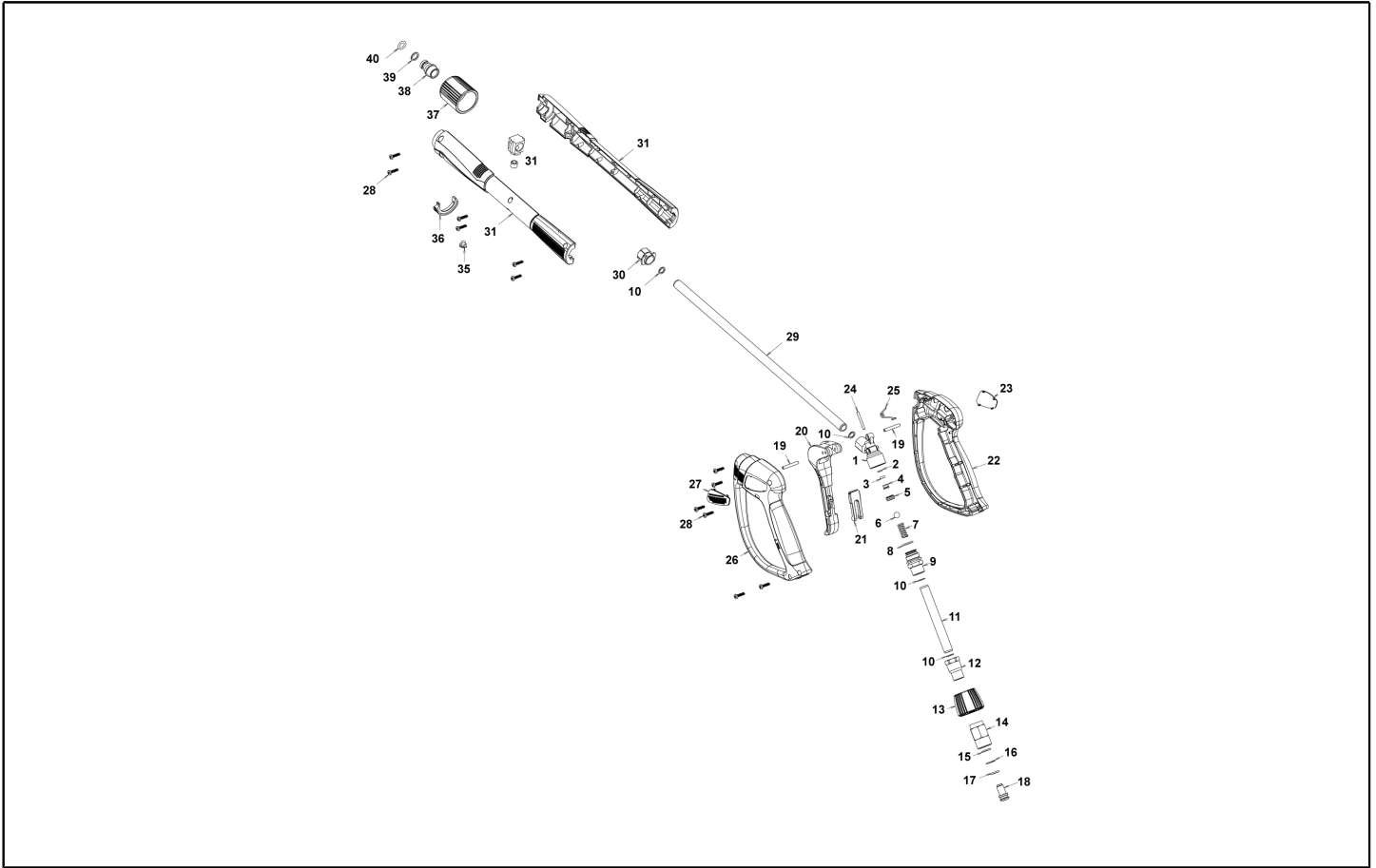
Ref.	K	Part N.	Part N. 2	Description	Quantity	Validity		Price
						From	To	
0062	S	GUGO40031	N/A	O-RING D. 3.39 X 1.78 NBR 70SH	1,00			--



Ref. Part N.	Cust. Part N.	Description	Reference	Price
KTRI40127		KIT P 14-100 M.MATIC 4/B	0007 0008 0009 0010 0012 0013 0014 0015 0016 0017 0018 0019 0020 0062	--
KTRI40128		KIT P 14-101 M.MATIC 4/B CK.V.	0025 0026 0027 0028	--



Ref. K	Part N.	Part N. 2	Description	Quantity	Validity		Price
					From	To	
0001	PVVR40381	N/A	GUN BODY G 5100 G1/4F	1,00			--
0002	S GUVR40074	N/A	ANTI-EXTR.RING D. 3 X 7.4X1.3	1,00			--
0003	S GUGO21835	N/A	O-RING D. 2.84 X 2.62 VIT. 80SH	1,00			--
0004	PVVR40382	N/A	PISTON GUIDE G 5100	1,00			--
0005	S PVVR40112	N/A	BALL SEAT G 5000	1,00			--
0006	S SFVR40002	N/A	BALL D.11/32" ALL.GR16	1,00			--
0007	MLML40016	N/A	SPRING D. 9.4 x21.5x1.6 G5000	1,00			--
0008	GUGO12322	N/A	O-RING D. 14 X 1.78 NBR 90SH	1,00			--
0009	PVVR40383	N/A	CONNECTOR COLL.G5100 1/4F	1,00			--
0010	VTRS40017	N/A	WASHER D. 8.2X11,4X1.00	4,00			--
0011	PVVR40384	N/A	TUBE G 1/4" L.105	1,00			--
0012	RCIN40022	N/A	CONNECTOR SWIV G5100 1/4F	1,00			--
0013	MPVR40819	N/A	RING NUT G 5100 SW. BK.	1,00			--
0014	RCIN40021	N/A	JOINT SWIV 5100 M22	1,00			--
0015	S GUVR40075	N/A	ANTI-EXTR.RING D. 10 X14X1.5	1,00			--
0016	S GUVR40076	N/A	ANTI-EXTR.RING D. 11.2X14X1.2	1,00			--
0017	S GUGO15295	N/A	O-RING D. 10.82 X 1.78 VIT 75SH	1,00			--
0018	PVVR40386	N/A	SCREW SW. G 5100	1,00			--
0019	VTVR40047	N/A	PLUG D. 4X29	2,00			--
0020	MPVR40820	N/A	TRIGGER G 6000-SW	1,00			--
0021	MPVR40821	N/A	SAFETY-DEVICE G 6000-SW	1,00			--
0022	MPVR40822	N/A	SHELL G 6000-SW DX	1,00			--
0023	MPVR40823	N/A	PLATE G 6000 GR.DX	1,00			--
0024	PVVR40387	N/A	SMALL PISTON G 5100	1,00			--
0025	MLML40029	N/A	SPRING G 5100	1,00			--
0026	MPVR40824	N/A	SHELL G 6000-SW SX	1,00			--
0027	MPVR40825	N/A	PLATE G 6000 GR.SX	1,00			--
0028	VTVT40043	N/A	SCREW AF 4X 14 HILO ZN.N	12,00			--
0029	LCPR40086	N/A	TUBE 1/4 L=420 ZC. 0°	1,00			--
0030	MPVR40493	N/A	CONNECTOR G 5100-SW	1,00			--
0031	MPVR40494	N/A	PROTECTION P 420 C/AN.	1,00			--
0035	MPVR40198	N/A	CAP G 5000	1,00			--
0036	MPVR40495	N/A	CAP G 5100 REM.	1,00			--
0037	PVVR40119	N/A	CONNECTION M22X1,5 IRV G5000	1,00			--
0038	RCIN40009	N/A	GUDGEON G 1/4 F IRV G5000	1,00			--
0039	GUVR40034	N/A	ANTI-EXTR.RING D. 10 X14	1,00			--
0040	GUGO01946	N/A	O-RING D. 9.13 X 2.62 VIT 70SH	1,00			--



Ref. Part N.	Cust. Part N.	Description	Reference	Price
KTRI40243		KIT P 26- 26 SWIVEL G 5100	0015 0016 0017	--
KTRI40414		KIT P 26- 34 G 6000	0002 0003 0005 0006	--