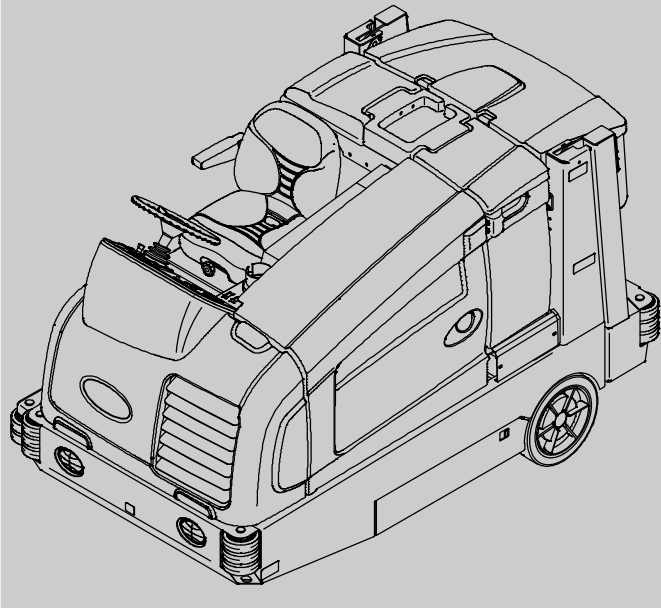
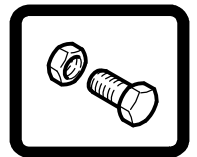




M20

(Gas/LPG)

Scrubber-Sweeper Parts Manual



The Safe Scrubbing Alternative[®]

ES[®] Extended Scrub System

TennantTrue[®] Parts

Hygenic[®] Fully Cleanable Tanks

FloorSmart[®] Integrated Cleaning System

IRIS[®] a Tennant Technology



North America / International



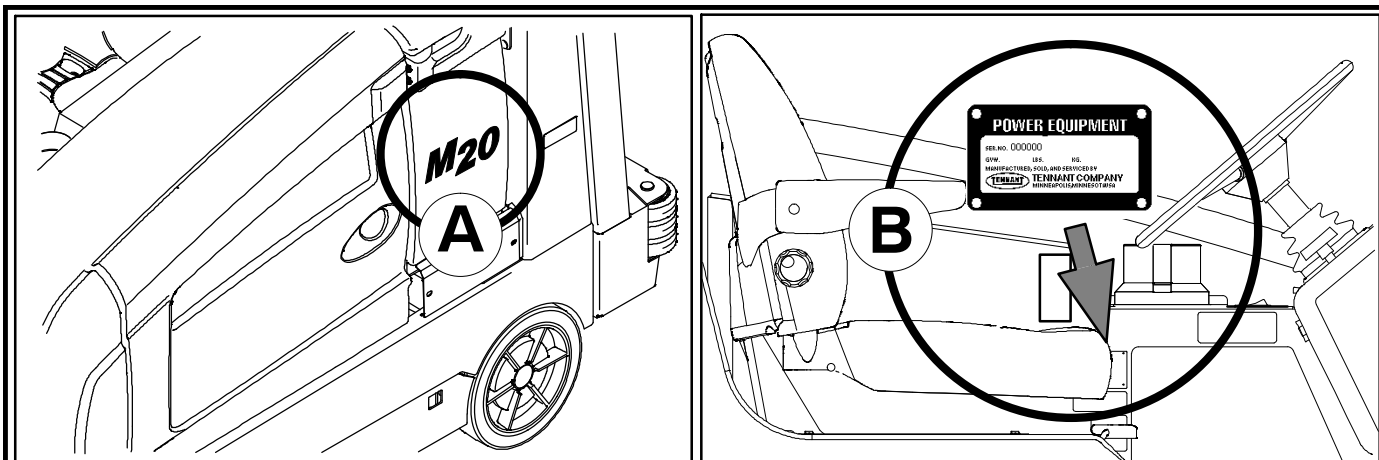
For the latest Parts manuals and other
language Operator manuals, visit:

www.tennantco.com/manuals

331381

Rev. 19 (5-2016)





Ref	Part No.	Serial Number	Description	Qty.
1	82681	(000000—)	Bracket Wldt, Lpg Mount	1
2	63810	(000000—)	Latch Assy, Lpg Tank Mtg, W/Nut	4
3	51839	(000000—)	Nut Adjustable, Lpg Tank Mtg	2
4	49263	(000000—)	Tie, Cable	3
5	82556	(000000—001039)	Bracket, Vaporizer	1
6	54930	(000000—)	Vaporizer, LPG	1

HOW TO ORDER PARTS – See diagram above

Only use TENNANT Company supplied or equivalent parts. Parts and supplies may be ordered online, by phone, by fax or by mail.

Follow the steps below to ensure prompt delivery.

1. **(A)** Identify the machine model.
2. **(B)** Identify the machine serial number from the data plate.
3. **(C)** Ensure the proper serial number is used from the parts list.
4. Identify the part number and quantity. Do not order by page or reference numbers.
5. Provide your name, company name, customer ID number, billing and shipping address, phone number and purchase order number.
6. Provide detail shipping instructions.

(D) ▽ – Identifies an assembly
 ▲ – Identifies parts included in assembly

EN

Please fill out at time of installation for future reference.

Model No. – _____

Serial No. – _____

Machine Options – _____

Sales Rep. – _____

Sales Rep. phone no. – _____

Customer ID Number – _____

Installation Date – _____

Tennant Company
 PO Box 1452
 Minneapolis, MN 55440
 Phone: (800) 553-8033 or (763) 513-2850
 www.tennantco.com

Thermo-Sentry, Touch-N-Go, 1-STEP, Clean-Wedge, Variable Drain Valve, EasyOpen, Grip-N-Go, MaxPro2, Dura-Track, SmartRelease, InstantAccess, Duramer, FaST-PAK, ErgoSpace and Lower Total Cost of Ownership are trademarks of Tennant Company.

Specifications and parts are subject to change without notice.

Original Information, copyright © 2006 – 2016 TENNANT Company, Printed in U.S.A.

CN	<p>如何订购部件 - 参见下表</p> <p>仅使用 TENNANT 公司提供的或同等部件。部件和供应可以在线订购，通过电话、传真或邮件订购。请遵循下面的步骤确保及时交付。</p> <ol style="list-style-type: none"> 1. (A) 确定机器型号。 2. (B) 从数据标签确定机器序列号。 3. (C) 确保使用部件列表中的正确序列号。 4. 确定部件号和数量。 不要按页面或参考编号订购。 5. 提供您的姓名、公司名称、客户 ID 号、付帐和送货地址、电话号码和采购单编号。 6. 提供详细的送货说明。 <hr/> <p>(D) ▽ - 确定组件 ▲ - 确定组件中包含的组件</p>	<p>请在安装时填写供未来参考。</p> <p>型号 - _____</p> <p>序列号 - _____</p> <p>机器选项 - _____</p> <p>销售代表 - _____</p> <p>销售代表电话号码 - _____</p> <p>客户 ID 编号 - _____</p> <p>安装日期 - _____</p>
-----------	--	--

ES	<p>CÓMO SOLICITAR PIEZAS - Consulte el diagrama anterior.</p> <p>Utilice sólo las piezas suministradas por TENNANT Company o piezas equivalentes. Puede solicitar las piezas a través de internet, por teléfono, por fax o por correo.</p> <p>Siga los siguientes pasos para que la entrega sea rápida.</p> <ol style="list-style-type: none"> 1. (A) Indique el modelo de máquina. 2. (B) Indique el número de serie de la etiqueta de datos. 3. (C) Asegúrese de que indica el número de serie correcto de la lista de piezas. 4. Indique la cantidad y el número de la pieza. No realice el pedido indicando el número de página o el de referencia. 5. Incluya su nombre, el nombre de la empresa, el ID de cliente, las direcciones de envío y facturación, el número de teléfono y el número del pedido de compra. 6. Facilite instrucciones de envío. <hr/> <p>(D) ▽ - identifica un conjunto ▲ - identifica piezas de un conjunto</p>	<p>Rellene estos datos cuando realice la instalación para utilizarlos como referencia en el futuro.</p> <p>Nº modelo - _____</p> <p>Nº serie - _____</p> <p>Opciones de la máquina - _____</p> <p>Vendedor - _____</p> <p>Nº teléfono vendedor - _____</p> <p>Nº cliente - _____</p> <p>Fecha de instalación - _____</p>
-----------	--	---

FR	<p>COMMENT COMMANDER DES PIÈCES DÉTACHÉES - Voir le schéma ci-dessus.</p> <p>Utilisez uniquement des pièces fournies par la société TENNANT ou équivalentes. Les pièces et fournitures peuvent être commandées en ligne, par téléphone, fax, ou par courrier.</p> <p>Suivez les étapes ci-dessous pour assurer une livraison rapide.</p> <ol style="list-style-type: none"> 1. (A) Identifiez le modèle de la machine. 2. (B) Identifiez le numéro de série de la machine, à partir de l'étiquette signalétique. 3. (C) Assurez-vous que le numéro de série correct est utilisé à partir de la liste de pièces détachées. 4. Identifiez le numéro de pièce et la quantité. Ne commandez pas par page ou numéros de référence. 5. Fournissez votre nom, le nom de votre société, votre numéro d'identification de client, l'adresse de facturation et d'expédition, le numéro de téléphone et le numéro du bon de commande. 6. Fournissez des instructions d'expédition détaillées. <hr/> <p>(D) ▽ - identifie un assemblage ▲ - identifie les pièces composant l'assemblage</p>	<p>A remplir au moment de l'installation à titre de référence.</p> <p>Nº du modèle - _____</p> <p>Nº de série - _____</p> <p>Options de la machine - _____</p> <p>Agent commercial - _____</p> <p>Nº tél. de l'agent commercial - _____</p> <p>Numéro d'identification client - _____</p> <p>Date d'installation - _____</p>
-----------	--	---

JP	<p>パーツの発注方法 ? 上記の図を参照してください</p> <p>TENNANT社製のパーツまたは同等品のみをお使いください。パーツやサプライ品のご注文は、オンライン、電話、FAX、または手紙でお願いいたします。確実にお届けできるように、以下の情報お知らせください。</p> <ol style="list-style-type: none"> 1. (A) 製品のモデル名をお知らせください。 2. (B) 製品のデータラベルに印刷されているシリアル番号をお知らせください。 3. (C) パーツリストを参照して、シリアル番号が正しいかご確認ください。 4. パーツ番号と数量をお知らせください。マニュアル/カタログのページ番号や参照番号でのご注文はご遠慮ください。 5. お客様のお名前、会社名、顧客ID番号、請求/発送先住所、電話番号、注文書番号をお知らせください。 6. 発送に関するご希望があれば、明記してください。 <hr/> <p>(D) ▽ - アセンブリを示します ▲ - アセンブリに含まれるパーツを示します</p>	<p>後日確認できるように、設置時に記入してください。</p> <p>モデルNo. - _____</p> <p>シリアルNo. - _____</p> <p>製品のオプション - _____</p> <p>販売代理店 - _____</p> <p>販売代理店の電話番号 - _____</p> <p>顧客ID番号 - _____</p> <p>設置日 - _____</p>
-----------	---	---

GENERAL RECOMMENDED MAINTENANCE

General Recommended Maintenance Items

Ref.	Part No.	Serial Number	Description	Qty.
▽	9002553	(000000-005999)	Maint Kit, Gas, 400hr[M20/T20]	1
▲	372575	(000000-005999)	Sparkplug [Gm]	4
▲	369746	(000000-005999)	Element, Fltr, Air [Dn]	1
▲	372440	(000000-005999)	Filter, Fuel [Gm 1.6l/3.0l]	1
▽	9002554	(000000-003122)	Maint Kit, Lpg, 400hr[M20/T20]	1
▲	372575	(000000-003122)	Sparkplug [Gm]	4
▲	369746	(000000-003122)	Element, Fltr, Air [Dn]	1
▲	372615	(000000-003122)	Filter Kit, Fuelock, Lpg	1
▽	9007382	(003123-005999)	Maint Kit, 400hr [M20/T20/M30 Lpg 2010]	1
▲	372575	(003123-005999)	Sparkplug [Gm, 1pick=1plug]	4
▲	369746	(003123-005999)	Element, Fltr, Air [Dn]	1
▲	9007380	(003123-005999)	Filter Kit, Fuelock, Lpg	1
▽	9002555	(000000-)	Maint Kit, Gas, 800hr[M20/T20]	1
▲	31613	(000000-)	Strainer, Hyd, 25 Gpm 100 Mesh	1
▲	25122	(000000-)	Cap, Breather, Hyd, 2.4 Ds	1
▲	1021579	(000000-)	Filter Assy, Hyd, 10mic	1
▲	372440	(000000-)	Filter, Fuel [Gm 1.6l/3.0l]	1
▽	9002613	(000000-003122)	Maint Kit, Lpg, 800hr[M20/T20]	1
▲	31613	(000000-003122)	Strainer, Hyd, 25 Gpm 100 Mesh	1
▲	25122	(000000-003122)	Cap, Breather, Hyd, 2.4 Ds	1
▲	1021579	(000000-003122)	Filter Assy, Hyd, 10mic	1
▲	372615	(000000-003122)	Filter Kit, Fuelock, Lpg	1
▽	9007381	(003123-)	Maint Kit, 800hr [M20/T20/M30 Lpg 2010]	1
▲	31613	(003123-)	Strainer, Hyd, 025gpm 100mesh 03psi	1
▲	25122	(003123-)	Cap, Breather, Hyd, 2.4 Ds	1
▲	1021579	(003123-)	Filter Assy, Hyd, 10mic	1
▲	9007380	(003123-)	Filter Kit, Fuelock, Lpg	1
	371972	(000000-005999)	Element, Fltr, Oil, Eng, Spin-On (GM)	1
	393982	(006000-)	Element, Fltr, Oil, Spin-On (Mits)	1
	1048295AM	(000000-)	Filter, Panl, Syn, 4.2 X 20.0 X 30.0	1
	1027290	(000000-)	Filter, Soltn, 20mesh, Pm12 3.1d 02.6l	1
	87866	(000000-)	Key, Ignition [Set Of 2]	1
	10137	(000000-)	Battery, Wet, 12vdc 0475cca	1
	20833	(000000-)	Wheel, 3.0d 1.38w 0.50b	2
	1033644	(000000-)	Belt, Ribbed, 38.5l	1
	1024586	(000000-)	Skirt, Neo, .06, 06.85w 27.95l, 08 Hole	2
	1019295	(000000-)	Skirt, Neo, .18, 10.37w 27.95l, 12 H&S	2
	1020166	(000000-)	Skirt, Neo, .06, 12.00w 45.88l, 07 Hole	1
	1022009	(000000-)	Skirt, Neo, .06, 06.38w 40.86l, 06 Hole	1
	1022007	(000000-)	Skirt, Rbr, .37, 04.50w 40.94l, 06 Hole	1
	1017868	(000000-)	Blade, Sqge, Front [Linard]	1
	1031331	(000000-)	Blade, Sqge, Rear, Linatex	1
	83874	(000000-)	Gasket, Sqge	2
	1031011	(000000-)	Blade, Sqge, 37.08l Linatex	2
	1027719	(000000-)	Blade, Sqge, Front, 49.59l Pyu	1
	1031945	(000000-)	Blade, Sqge, Rear, 53.78L Pyu	1
	1031823	(000000-)	Blade, Sqge, .38 3.55w 038.3l, Ure	2
	9010622	(006000-007114)	Plug, Spark	4
	9014160	(007115-)	Plug, Spark	4

GENERAL RECOMMENDED MAINTENANCE

General Recommended Maintenance Items

Ref.	Part No.	Serial Number	Description	Qty.
	1027716	(000000-003076)	Squeegee Assy, Sba, Ure	1
	1059091	(003077-) Blade, Sqge, Side Brush, Urethane	1
	1059092	(003077-) Blade, Sqge, Side Brush, Urethane	1
	1025005	(000000-003076)	Squeegee Assy, Sba, Linatex	1
	1046980	(003077-) Blade, Sqge, Side Brush, Linatex	1
	1047238	(003077-) Blade, Sqge, Side Brush, Linatex	1
	84597	(000000-) Tire Assy, Solid, 18.0x6.0 4.5bc/5bolt	1
	16411	(000000-) Paint, Airdry, Off-White, 12oz	1
	16412	(000000-) Paint, Airdry, Teal, 12oz, Solid	1
	377540	(000000-) Paint, Airdry, Blk, 12oz	1
	377538	(000000-) Paint, Airdry, Gray, 12oz [Enamel]	1
	377537	(000000-) Paint, Airdry, Iron Gray,12oz[Pwdr Coat]	1
	1057710	(000000-) Oil, Hyd [El, Iso 100, 01gal]	1
	1057711	(000000-) Oil, Hyd [El, Iso 100, 05gal]	1
	1069019	(000000-) Oil, Hyd [El, Iso 68, 01gal]	1
	1069020	(000000-) Oil, Hyd [El, Iso 68, 05gal]	1
	1057707	(000000-) Oil, Hyd [El, Iso 32, 01gal]	1
	1057708	(000000-) Oil, Hyd [El, Iso 32, 05gal]	1

SECTION 2

Contents	Page
Fig. 1 – Brushes, Replacement, Scrub Head	2-3
Fig. 2 – Brushes, Replacement, Side Brush	2-4
Fig. 3 – Main Frame Group	2-6
Fig. 4 – Operator Station Group	2-8
Fig. 5 – Operator Station Insulation Group	2-10
Fig. 6 – Instrument Panel Group	2-12
Fig. 7 – Seat Group	2-14
Fig. 8 – Steering Group	2-16
Fig. 9 – Front Cover Group	2-18
Fig. 10 – Engine Cover Group	2-20
GM Engine	Page

Fig. 11 – GM Engine and Mount Group (000000–005999)	2-22
Fig. 12 – GM Engine EFI Group, Gasoline (000000–001999)	2-24
Fig. 13 – GM Engine EFI Group, Gasoline (002000–003122)	2-26
Fig. 14 – GM Engine EFI Group, Gasoline (003123–005999)	2-28
Fig. 15 – GM Engine EFI Group, LPG (000000–001999)	2-30
Fig. 16 – GM Engine EFI Group, LPG (002000–005999)	2-34
Fig. 17 – GM Engine Vaporizer Group, LPG (002000–003122)	2-36
Fig. 18 – GM Engine Vaporizer Group, LPG (003123–005999)	2-38
Fig. 19 – GM Engine Air Cleaner Group, Gasoline (000000–001999)	2-40
Fig. 20 – GM Engine Air Cleaner Group, Gasoline (002000–005999)	2-42
Fig. 21 – GM Engine Air Cleaner Group, LPG (000000–001999)	2-44
Fig. 22 – GM Engine Air Cleaner Group, LPG (002000–005999)	2-46
Fig. 23 – GM Engine Alternator and Fan Group (000000–005999)	2-48
Fig. 24 – GM Engine Muffler Group (000000–001999)	2-50
Fig. 25 – GM Engine Muffler Group (002000–005999)	2-52
Fig. 26 – GM Engine Radiator Group (000000–003038)	2-54
Fig. 27 – GM Engine Radiator and Mount Group (003039–005999)	2-58
Fig. 28 – GM Engine Radiator Hose Group (003039–005999)	2-60
Mitsubishi Engine	Page

Fig. 29 – Mitsubishi Engine and Mount Group, Gas (006000–)	2-62
---	------

Mitsubishi Engine	Page
Fig. 30 – Mitsubishi Engine and Mount Group, LPG (006000–)	2-64
Fig. 31 – Mitsubishi Engine EFI Group, Gasoline (006000–)	2-66
Fig. 32 – Mitsubishi Engine EFI Group, LPG (006000–)	2-68
Fig. 33 – Mitsubishi Engine Air Cleaner Group, Gasoline (006000–)	2-70
Fig. 34 – Mitsubishi Engine Air Cleaner Group, LPG (006000–)	2-72
Fig. 35 – Mitsubishi Engine Alternator and Fan Group (006000–)	2-74
Fig. 36 – Mitsubishi Engine Muffler Group (006000–)	2-76
Fig. 37 – Mitsubishi Engine Radiator and Mount Group (006000–)	2-78
Fig. 38 – Mitsubishi Engine Radiator Hose Group (006000–)	2-80

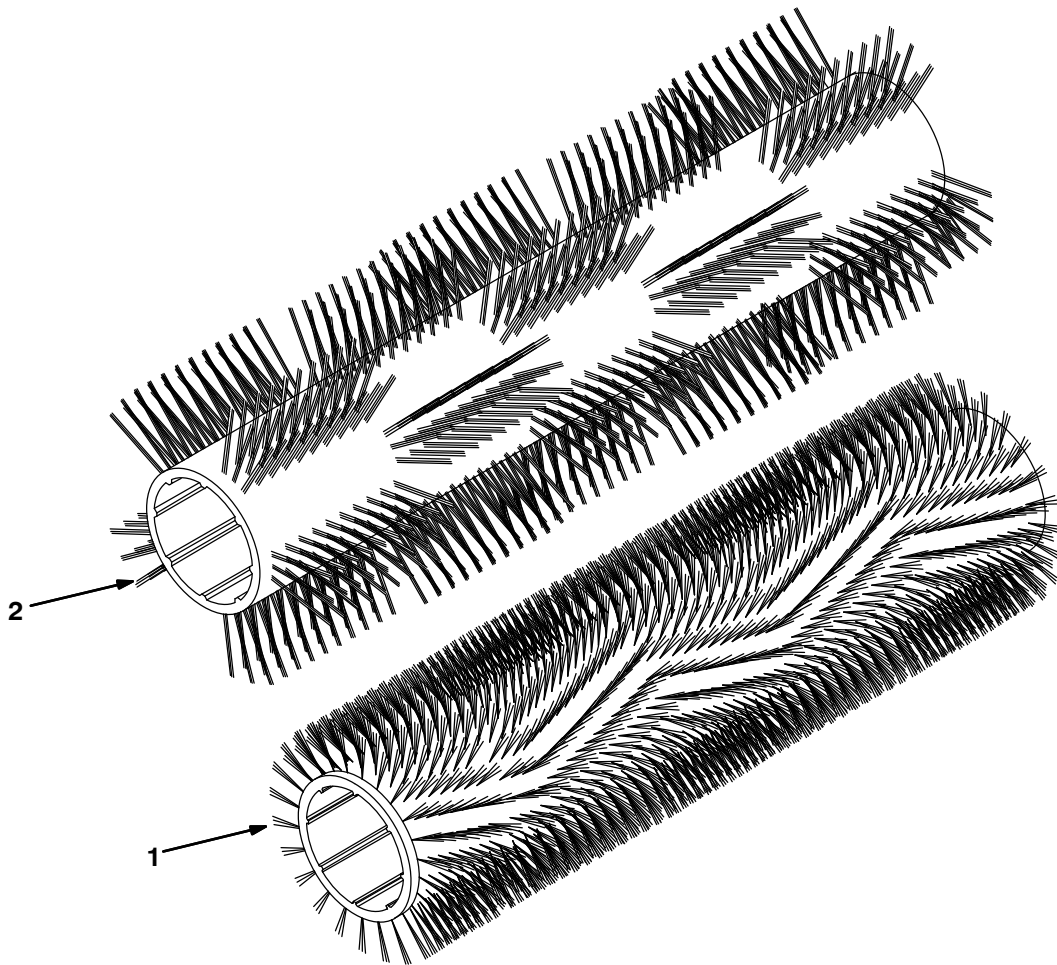
Contents	Page
Fig. 39 – Engine Fuel Tank Group, Gasoline (000000–001999)	2-82
Fig. 40 – Engine Fuel Tank Group, Gasoline (002000–)	2-84
Fig. 41 – Engine Fuel Tank Group, LPG	2-86
Fig. 42 – Battery and Electrical Group	2-88
Fig. 43 – Wheel Group, Front Drive	2-90
Fig. 44 – Wheel Group, Rear	2-92
Fig. 45 – Brake Pedal Linkage Group	2-94
Fig. 46 – Directional Pedal Group	2-96
Fig. 47 – Hydraulic Pump Linkage Group	2-98
Fig. 48 – Hopper Lift Arms Group	2-100
Fig. 49 – Hopper and Debris Screen Group	2-102
Fig. 50 – Hopper Cover and Dust Filter Group	2-104
Fig. 51 – Hopper Bumper Group	2-106
Fig. 52 – Hopper Door Group (000000–003061)	2-108
Fig. 53 – Hopper Door Group (003062–)	2-110
Fig. 54 – Cylindrical Scrub Brush Drive Group, Left Side	2-112
Fig. 55 – Cylindrical Scrub Brush Drive Group, Right Side	2-114
Fig. 56 – Cylindrical Scrub Brush Head Lift Group	2-116
Fig. 57 – Cylindrical Brush Head Skirt Group	2-118
Fig. 58 – Squeegee Lift Group, Rear	2-120
Fig. 59 – Squeegee Group, Rear	2-122
Fig. 60 – Squeegee Linkage Group, Rear	2-124
Fig. 61 – Squeegee Group, Right Side	2-126
Fig. 62 – Squeegee Lift Group, Right Side	2-128
Fig. 63 – Squeegee Group, Left Side	2-130
Fig. 64 – Squeegee Lift Group, Left Side	2-132

STANDARD PARTS

Contents	Page
Fig. 65 – Solution Tank Group	2-134
Fig. 66 – Solution Tank Drain Group	2-138
Fig. 67 – Solution Control Group	2-140
Fig. 68 – Recovery Tank Group	2-142
Fig. 69 – Recovery Tank Drain Group	2-144
Fig. 70 – Vacuum Fan Group, Scrubbing (000000–006877)	2-146
Fig. 71 – Vacuum Fan Group, Scrubbing (006878–)	2-148
Fig. 72 – Vacuum Fan Group, Sweeping	2-150
Fig. 73 – Hydraulic Schematic (000000–002699)	2-152
Fig. 74 – Hydraulic Schematic (002700–003297)	2-154
Fig. 75 – Hydraulic Schematic (003298–)	2-156
Fig. 76 – Hydraulic Hose Group, Steering and Propel	2-158
Fig. 77 – Hydraulic Hose Group, Pump and Vacuum Fans (000000–006877)	2-160
Fig. 78 – Hydraulic Hose Group, Pump and Vacuum Fans (006878–)	2-162
Fig. 79 – Hydraulic Hose Group, Brush and Hopper	2-164
Fig. 80 – Hydraulic Hose Group, Squeegee Lift	2-166
Fig. 81 – Hydraulic Pumps Group	2-168
Fig. 82 – Hydraulic Cooler and Tubes Group	2-170
Fig. 83 – Hydraulic Reservoir Group	2-172
Fig. 84 – Hydraulic Valves Group (000000–002699)	2-174
Fig. 85 – Hydraulic Valve Group (002700–)	2-176
GM Engine	Page
Fig. 86 – GM Electrical Schematic (000000–001999)	2-178
Fig. 87 – GM Electrical Schematic (002000–002532)	2-182
Fig. 88 – GM Electrical Schematic (002533–005999)	2-186
Fig. 89 – GM Electrical Schematic (003479–005999)	2-192
Fig. 90 – GM Electrical Schematic, Gas/LPG Engine Harness (000000–001999)	2-196
Fig. 91 – GM Electrical Schematic, Gas Engine Harness (002000–003122)	2-198
Fig. 92 – GM Electrical Schematic, Gas Engine Harness (003123–005999)	2-200
Fig. 93 – GM Electrical Schematic, LPG Engine Harness (002000–003122)	2-202
Fig. 94 – GM Electrical Schematic, LPG Engine Harness (003123–005999)	2-204

Mitsubishi Engine	Page
Fig. 95 – Mitsubishi Electrical Schematic (006000–)	2-206
Fig. 96 – Mitsubishi Electrical Schematic, Gas Engine Harness (006000–)	2-212
Fig. 97 – Mitsubishi Electrical Schematic, LPG Engine Harness (006000–)	2-214
Contents	Page
Fig. 98 – Electrical Wire Harnesses Group , Main	2-216
Fig. 99 – Electrical Wire Harness Group, Headlight	2-230
Fig. 100 – Electrical Wire Harness Group, Hopper	2-231
Fig. 101 – Electrical Wire Harness Group, Hopper Cover	2-234
Fig. 102 – Electrical Wire Harness Group, Gasoline/LPG Engine	2-236
Fig. 103 – Electrical Wire Harness Group, Gasoline/LPG Engine Adapter Harness without Telemetry	2-239
Fig. 104 – Label Group	2-240

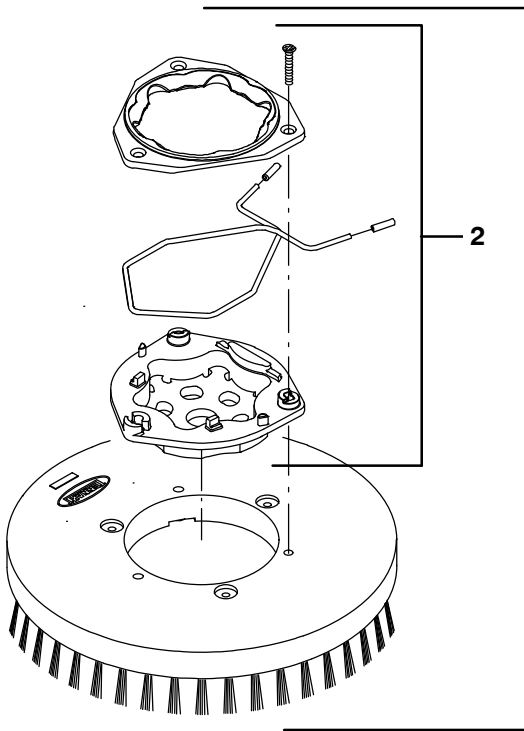
Fig. 1 – Brushes, Replacement, Scrub Head



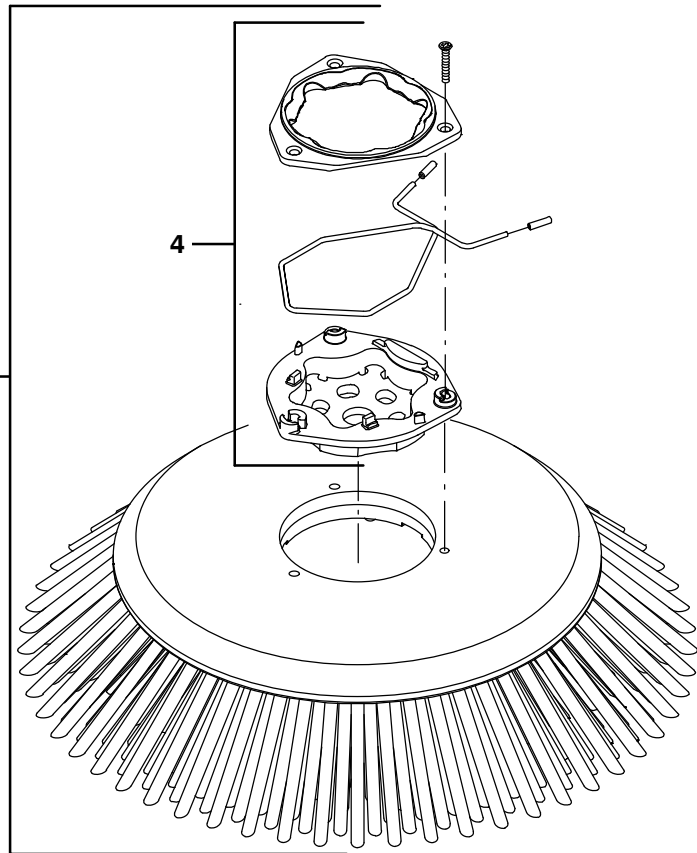
354408 – M20

Ref.	Part No.	Serial Number	Description	Qty.
1	1026223	(000000–) Brush, Sweep / Scb, 40L, Polypropylene	2
1	1026222	(000000–) Brush, Sweep / Scb, 40L, Super Abrasive	2
1	1027697	(000000–) Brush, Sweep / Scb, 40L, Polyester	2
1	1030969	(000000–) Brush, Sweep / Scb, 40L, Heavy Duty Polypropylene	2
2	1040524	(000000–) Brush, Sweep / Scb, 40L, Wndw, Polypropylene	1
2	1059640	(000000–) Brush, Sweep / Scb, 40L, Wndw, Super Abrasive	1

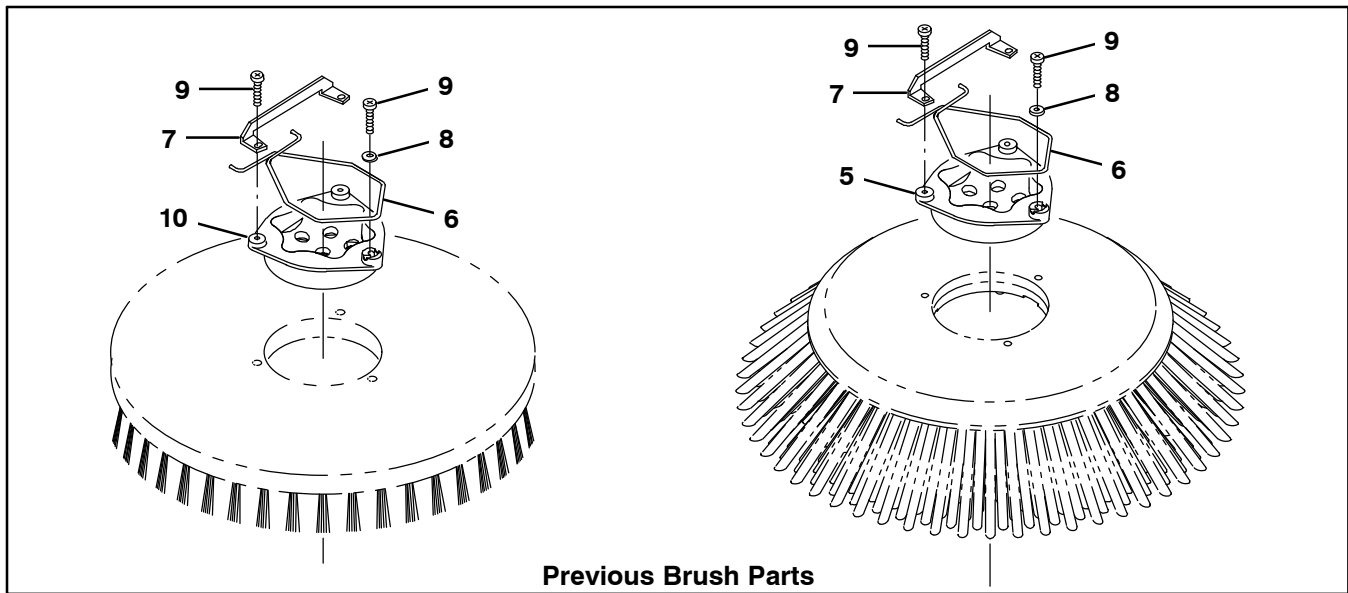
Fig. 2 – Brushes, Replacement, Side Brush



**SCRUBBING
SIDE BRUSH**



**SWEEPING
SIDE BRUSH**



Previous Brush Parts

Fig. 2 – Brushes, Replacement, Side Brush

	Ref.	Part No.	Serial Number	Description	Qty.
▽	1	1220235	(000000–) Brush Assy, Disk, Scb, 16.0d, Nylon	1
▲	2	9014662	(000000–) Brush Kit, Hub Assy, Drive, Ci [Hdpe In]	1
▽	1	1220236	(000000–) Brush Assy, Disk, Scb, 16.0d, Heavy Duty Polypropylene	1
▲	2	9014662	(000000–) Brush Kit, Hub Assy, Drive, Ci [Hdpe In]	1
▽	1	1221543	(000000–) Brush Assy, Disk, Scb, 16.0d, Super Abrasive	1
▲	2	9014662	(000000–) Brush Kit, Hub Assy, Drive, Ci [Hdpe In]	1
▽	3	1220185	(000000–) Brush Assy, Disk, Swp, 24.0d, Polypropylene	1
▲	4	9014666	(000000–) Brush Kit, Hub Assy, Drive, Ci [Uhmw]	1
Previous Brush Parts					
	5	1017368	(000000–) Hub, Drive, Brush, Disk, 3hole 5.8bc	1
	6	14838	(000000–) Spring, Wir, 0.16d, Brush Retaining	1
	7	24299	(000000–) Bracket, Retainer, Spring	1
	8	01684	(000000–) Washer, Flat, 0.27b 0.69d .05, Ss	1
	9	32746	(000000–) Screw, Pan, Phl, M6 X 1.00 X 35, Ss	3
	10	15539	(000000–) Hub, Drive, Brush, Disk, 3hole 5.8bc[6t]	1
		1042500	(000000–) Brush Assy, Disk, Scrub, 16.0 D, Heavy Duty Polypropylene (Replaced by 1220236)	1
		1042504	(000000–) Brush Assy, Disk, Scrub, 16.0 D, Super Abrasive (Replaced by 1221543)	1
		1042499	(000000–) Brush Assy, Disk, Scrub, 16.0D, Nylon (Replaced by 1220235)	1
		1027688	(000000–) Brush Assy, Disk, Sweep, 24.oD, Polypropylene (Replaced by 1220185)	1

Fig. 3 – Main Frame Group

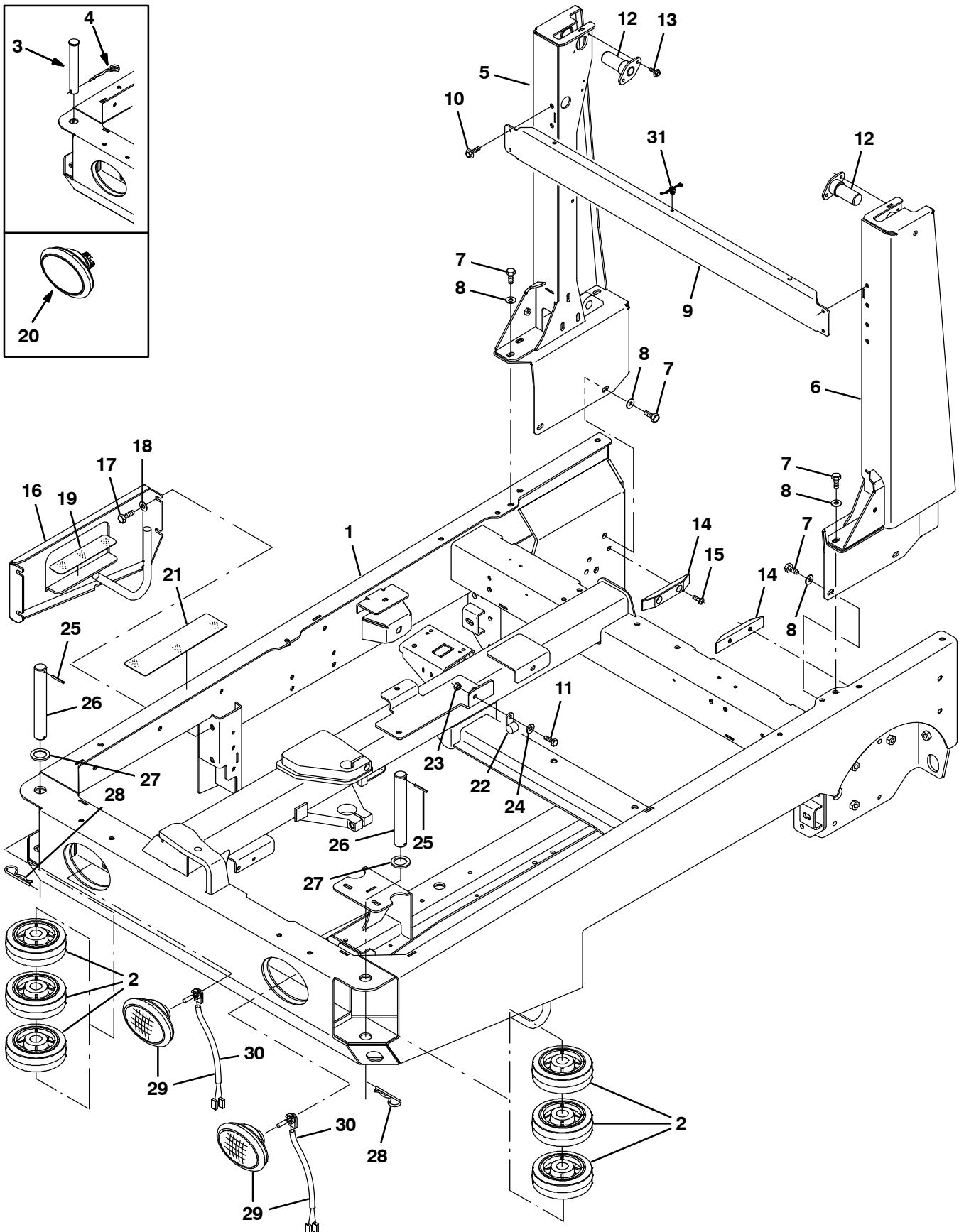


Fig. 3 – Main Frame Group

Ref.	Part No.	Serial Number	Description	Qty.	
1	9002401	(000000–) Frame Wldt, Main, Replmt [m20 & T20]	1	
2	1060130	(000000–) Wheel, 06.0D 2.00W 1.19B, Gray Rbr	6	
3	9006334	(000000–003062) Pin Kit, Wheel, Ci [M20/T20/M30]	2	
4	761490	(000000–003062) Pin, Cotter, Hair, Dbl	2	
5	9002400	(000000–) Tower, Wldt, Lift, Rh, Replmt [M20]	1	
6	9002399	(000000–) Tower, Wldt, Lift, Lh, Replmt [M20]	1	
7	39283	(000000–) Screw, Hex, M10 X 1.5 X 25, 8.8	10	
8	32492	(000000–) Washer, Flat, 0.38 Std	10	
9	1017791	(000000–) Channel, Upper, Tower, Lift	1	
10	1037346	(000000–) Screw, Hex, M8 X 1.25 X 25, 9.8, Sems	4	
11	39277	(001338–) Screw, Hex, M8 X 1.25 X 25, 8.8	1	
12	1019251	(000000–) Pin Wldt, Pivot, Hppr	2	
13	74455	(000000–) Screw, Hex, M6 X 1.0 X 12, Fmg	4	
14	1021327	(000000–) Block, Guide, Hppr	2	
15	367771	(000000–) Screw, Pan, M8 X 1.25 X 25, Ss	4	
16	1027916	(000000–) Panel Wldt, Filler	1	
17	12317	(000000–) Screw, Hex, M10 X 1.5 X 30, Ss	4	
18	01686	(000000–) Washer, Flat, 0.44b 1.00d .08, Ss	4	
19	363458	(000000–) Tread, Non–Skid, 01.9w 08.0l	1	
▽	20	1019225	(000000–003382) Headlight, 12vdc, 27watt, 2.1a, Oval (Rpl by 1060942)	2
▲		1031826	(000000–003382) Lamp, 12vdc [Speaker]	1
▲		1031827	(000000–003382) Receptacle, Lamp [Speaker]	1
	21	58819	(000000–) Tread, Non–Skid, 03.0w 11.6l	1
	22	53466	(001338–) Clamp, Cable, Stl, 1.50d X 1.00w, 1hole	1
	23	08709	(001338–) Nut, Hex, Lock, M8 X 1.25, NI	1
	24	32491	(001338–) Washer, Flat, 0.31, Std	1
	25	23146	(003063–) Pin, Roll, .187d X 1.62l, .187/.192	2
	26	1053838	(003063–) Pin, 30mmd X 215mml	2
	27	1062566	(003063–) Washer, Flat, 1.26B 1.88D .13, Stl, Pl	2
	28	34411	(003063–) Pin, Cotter, Hair, 1.00d .178 Wir	2
▽	29	1060942	(003383–) Headlight, 12Vdc, Oval, Halogen	2
▲	30	9007513	(003383–) Lamp, Halogen [Speaker]	1
	31	1210807	(000000–) Wire, Tie [W/.25" Fir Tree Clip]	1

Fig. 4 - Operator Station Group

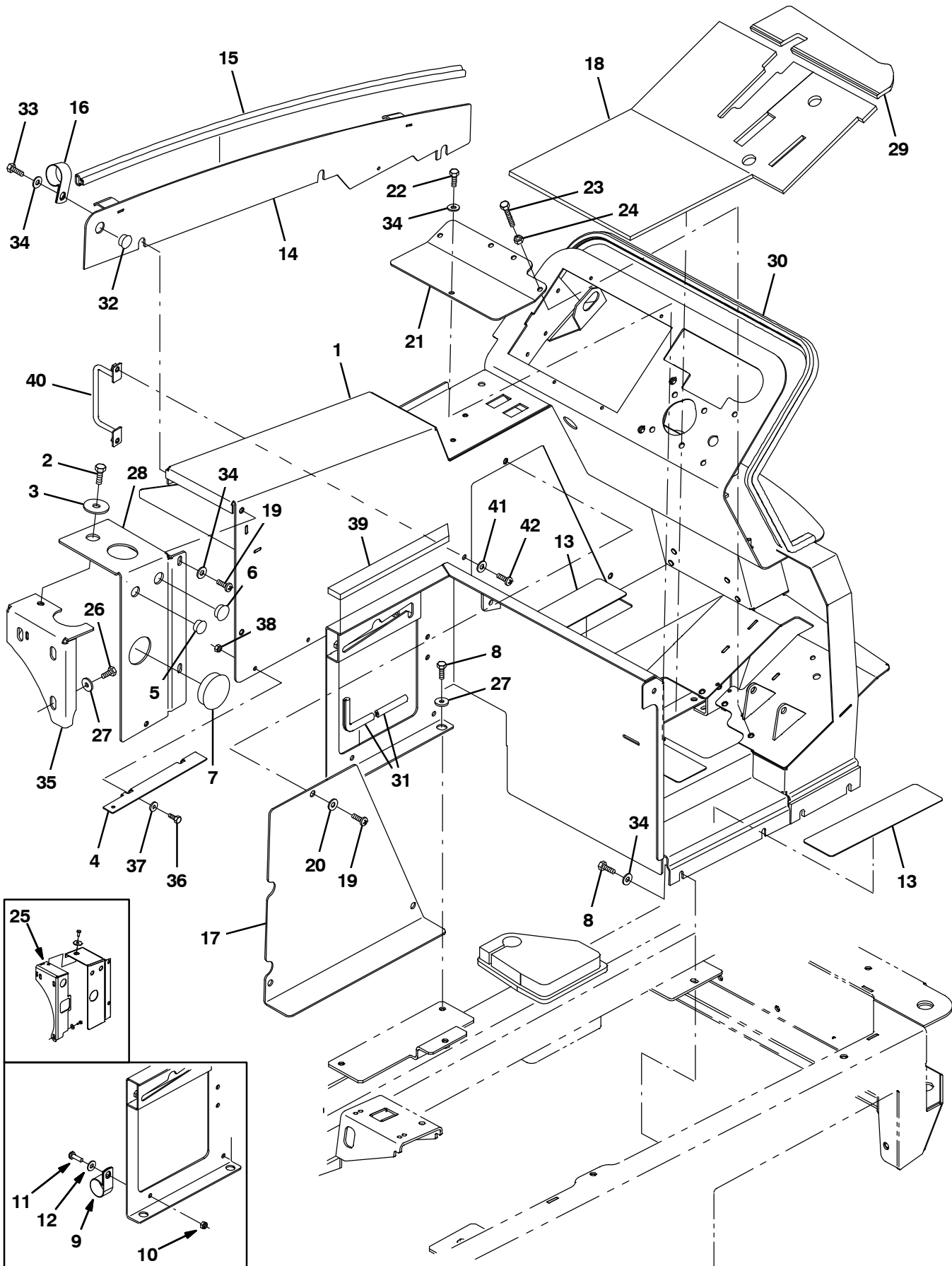


Fig. 4 – Operator Station Group

Ref.	Part No.	Serial Number	Description	Qty.
1	9002409	(000000–)	Panel Wldt, Gas, Replmt	1
1	9002380	(000000–)	Panel Wldt, Gas, Replmt [W/Fast]	1
1	9002381	(000000–)	Panel Wldt, Gas, W/ Es, Replmt	1
1	9003422	(000000–)	Panel Wldt, Gas, Replmt, TJ (Japan only)	1
1	9003425	(000000–)	Panel Wldt, Gas, Replmt, TJ [W/Fast] (Japan only)	1
1	9003428	(000000–)	Panel Wldt, Gas, Replmt, TJ, W/Es (Japan only)	1
1	9003431	(000000–)	Panel Wldt, LPG, Replmt	1
1	9003432	(000000–)	Panel Wldt, LPG, Replmt [W/Fast]	1
1	9003433	(000000–)	Panel Wldt, LPG, Replmt, W/Es	1
1	9003423	(000000–)	Panel Wldt, LPG, Replmt, TJ (Japan only)	1
1	9003426	(000000–)	Panel Wldt, LPG, Replmt, TJ [W/Fast] (Japan only)	1
1	9003429	(000000–)	Panel Wldt, LPG, Replmt, TJ, W/Es (Japan only)	1
2	39283	(000000–)	Screw, Hex, M10 X 1.5 X 25, 8.8	1
3	04414	(000000–)	Washer, Flat, 0.53b 1.88d .12, Stl, PI	1
4	1047169	(000000–)	Bracket, Mtg, Insulation	2
5	82727	(000000–)	Plug, Hole, Rnd, 0.88h .03–.12, Blk Nyl	1
6	01493	(000000–)	Plug, Hole, Rnd, 1.00h .03–.12, Blk Nyl	1
7	1030017	(000000–)	Plug, Hole, Rnd, 2.50h .03–.25, Blk Nyl	1
8	16931	(000000–)	Screw, Hex, M8 X 1.25 X 20, 8.8	8
9	70157	(000000–001337)	Clamp, Cable, Ss, 2.50d X 1.00w, 1h	1
10	08709	(000000–001337)	Nut, Hex, Lock, M8 X 1.25, NI	2
11	39277	(000000–001337)	Screw, Hex, M8 X 1.25 X 25, 8.8	7
12	32491	(000000–001337)	Washer, Flat, 0.31, Std	18
13	58819	(000000–)	Tread, Non–Skid, 03.0w 11.6l	4
14	1025435	(000000–001999)	Panel Wldt, Adj	1
14	1035832	(002000–)	Panel Wldt, Adj [2007]	1
15	1030593	(000000–)	Seal, Afmkt, Bulb, 90, 0.75d F/11ga 08ft	1
16	53466	(000000–)	Clamp, Cable, Stl, 1.50d X 1.00w, 1h	5
17	1021834	(000000–)	Panel, Access, Door	1
18	1027218	(000000–)	Mat, Floor	1
19	1031665	(000000–)	Screw, Pan, M8 X 1.25 X 25, Blk	4
20	39349	(000000–)	Washer, Flat, 0.31 Sae	3
21	1022699	(000000–)	Panel, Access, Floor	1
22	16931	(000000–)	Screw, Hex, M8 X 1.25 X 20, 8.8	4
23	363976	(000000–)	Screw, Hex, M8 X 1.25 X 60, 8.8, FI	1
24	39311	(000000–)	Nut, Hex, Std, M8 X 1.25	1
25	1020540	(000000–002412)	Bracket Wldt, Mtg, Tank	1
26	09740	(000000–)	Screw, Hex, M8 X 1.25 X 20, Ss	3
27	1017218	(000000–)	Washer, Flat, 0.32b 1.00d .12, Ss	5
28	1033975	(000000–)	Bracket, Mtg	1
29	1027267	(000000–)	Mat, Floor	1
30	1020904	(000000–)	Seal, Panl, Instmt	1
31	1020168	(000000–)	Molding, Afmkt, Trim, Pvc, .08 .11, 1ft	1
32	80288	(002000–)	Plug, Hole, Rnd, 0.81h, Blk	1
33	39277	(000000–)	Screw, Hex, M8 X 1.25 X 25, 8.8	6
34	32491	(000000–)	Washer, Flat, 0.31, Std	17
35	1035997	(002413–)	Bracket Wldt, Mtg, Tank	1
36	06942	(000000–)	Screw, Hex, M6 X 1.00 X 16, 8.8	2
37	32490	(000000–)	Washer, Flat, 0.25, Std	2
38	08708	(000000–)	Nut, Hex, Lock, M6 X 1.00, NI	2
39	1047295	(000000–)	Seal, Foam, 0.50	1
40	1071616	(006000–)	Bracket Wldt, Mtg, Hose	1
41	1031665	(006000–)	Screw, Pan, M8 X 1.25 X 25, Blk	2
42	39349	(006000–)	Washer, Flat, 0.31 Sae	2

Fig. 5 - Operator Station Insulation Group

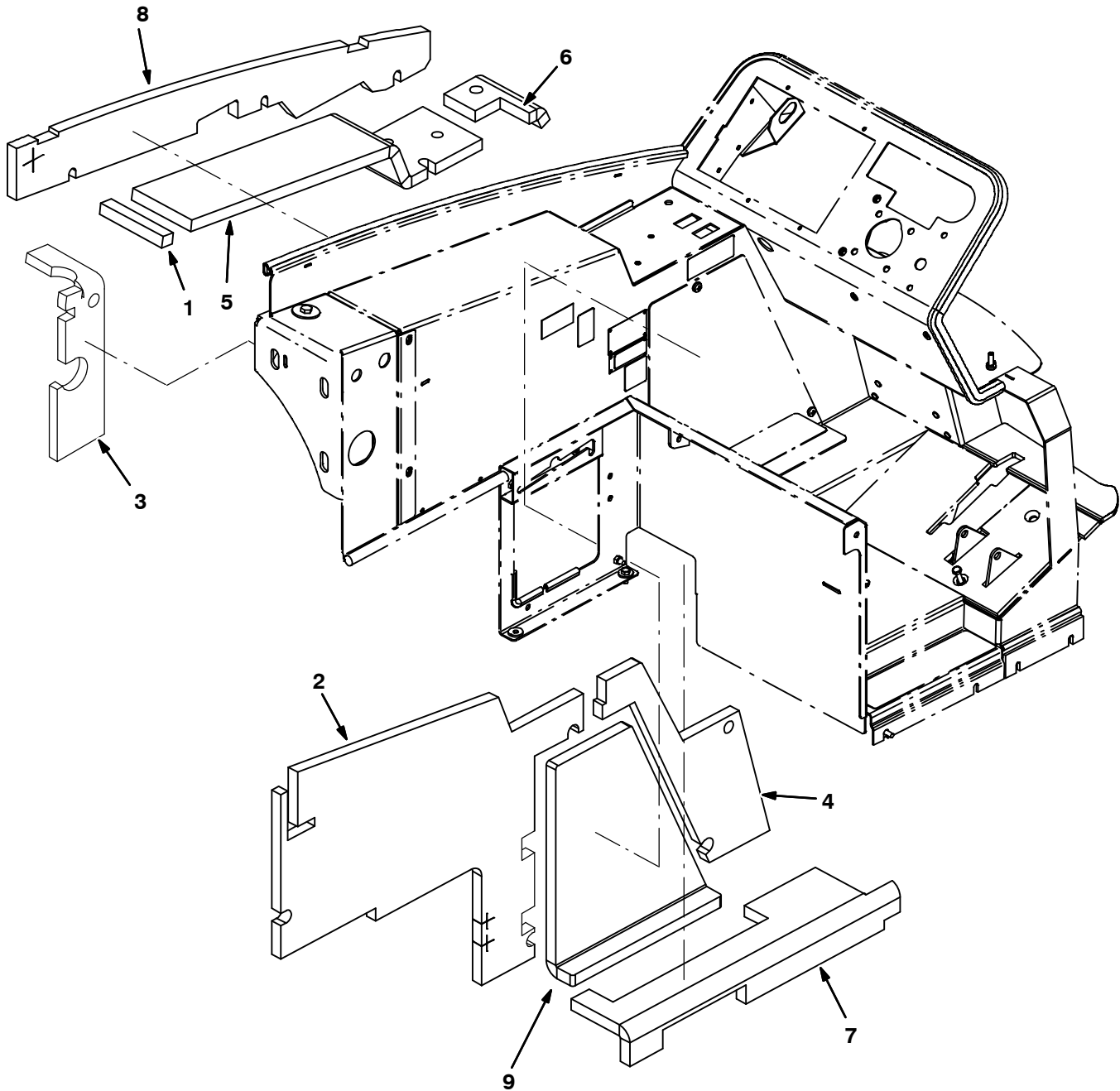


Fig. 5 – Operator Station Insulation Group

Ref.	Part No.	Serial Number	Description	Qty.
1	1034769	(000000–) Insulation, Flame-retardant, 0.75–0.88	1
2	1034765	(000000–) Insulation, Flame-retardant, 0.75–0.88	1
3	1040841	(000000–) Insulation, Flame-Retardant, 0.75–0.88	1
4	1023464	(000000–) Insulation, Flame-Retardant, 0.75–0.88	1
5	1034764	(000000–) Insulation, Flame-retardant, 0.75–0.88	1
6	1034766	(000000–) Insulation, Flame-retardant, 0.75–0.88	1
7	1034768	(000000–) Insulation, Flame-retardant, 0.75–0.88	1
8	1034770	(000000–) Insulation, Flame-retardant, 0.75–0.88	1
9	1023569	(000000–) Insulation, Flame-Retardant, 0.75–0.88	1

Fig. 6 – Instrument Panel Group

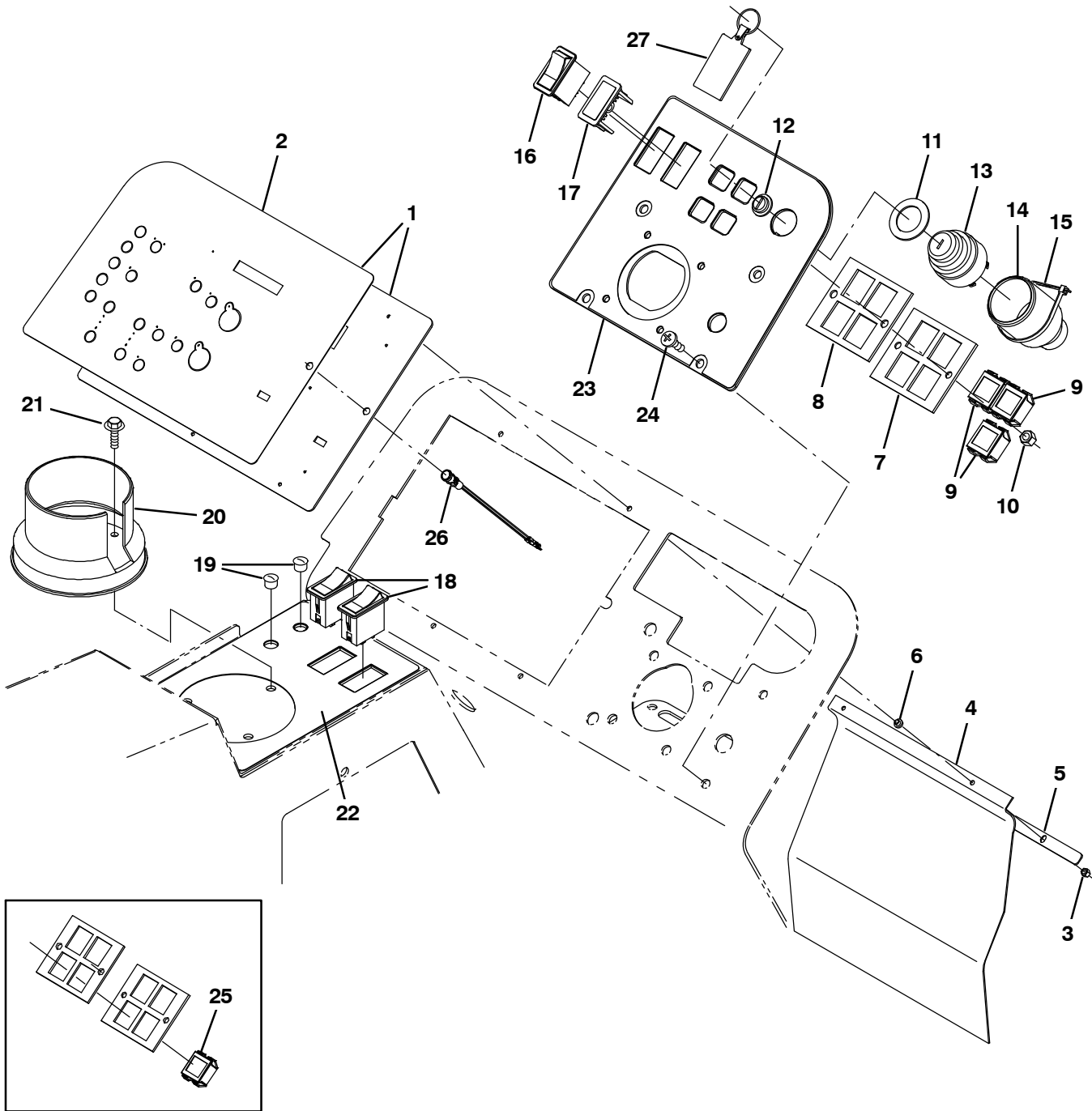
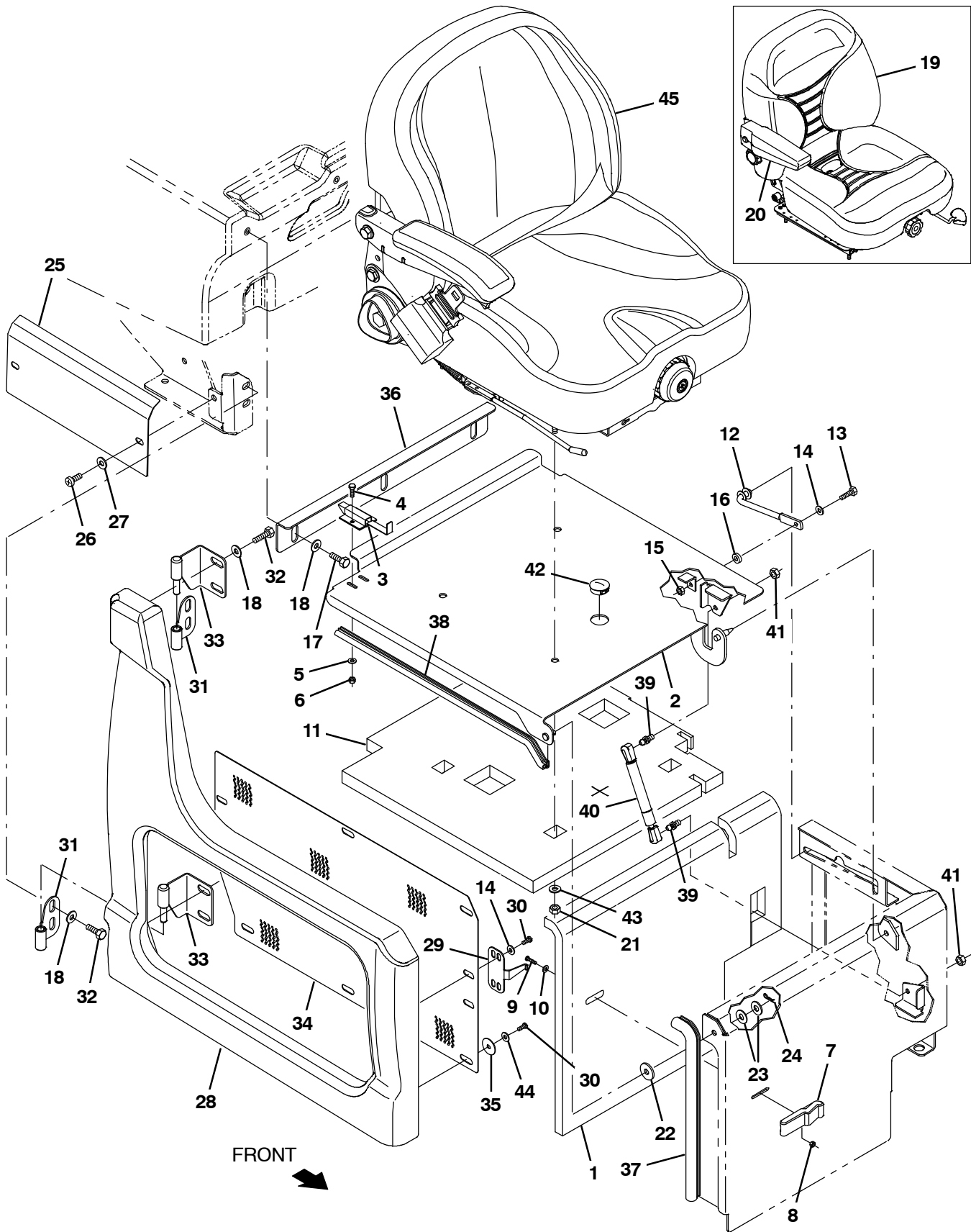


Fig. 6 - Instrument Panel Group

	Ref.	Part No.	Serial Number	Description	Qty.
▽	1	9003453	(000000-) Panel Kit, Instmt, Repair [M20/M30]	1
▲	2	9002435	(000000-) Label Kit, Panel, Replmt [M20]	1
▽	1	9007912	(000000-) Panel, Kit, Instmt, Replmt [M20/M30 ec-H20 only]	1
▲	2	9007913	(000000-) Label Kit, Panel, Replmt [M20/M30 ec-H20 only]	1
	3	16968	(000000-) Nut, Hex, Lock, #08-32, NI	4
	4	1028769	(000000-) Flap, Battery	1
	5	1028772	(000000-) Bar, Flat, Ss, .06 X .50 X 10.0l 2/.19sl	1
	6	1029362	(000000-) Washer, Shld, Nyl [8-32]	4
	7	361071	(000000-) Plate, Mtg, Light	1
	8	361073	(000000-) Seal, Rbr, Clsd, 0.13, Instmt Panl	1
	9	361075	(000000-) Light, Panl, 14vdc, , 1.1 X 1.0	3
	10	08712	(000000-) Nut, Hex, Lock, M6 X 1.0, Ss, NI	2
	11	73736	(000000-) Washer, Flat, 1.15b 1.75d .08, Stl	1
	12	382516	(000000-) Boot, .63id .29l .90w	1
▽	13	87536	(000000-) Switch, Ignition [Ku]	1
▲		87866	(000000-) Key, Ignition [Set Of 2]	1
	14	383165	(000000-) Boot, Switch, Ignition	1
	15	49266	(000000-) Tie, Cable, Nyl, 07.3l .19w 1.8 Max D	2
	16	392171	(000000-) Switch, Rocker, Dpdt On/Off/On	1
	17	398501	(000000-) Plug, Hole, Rt, Rocker Switch, .87 X 1.7	1
	18	398508	(000000-) Switch, Rocker, Dpdt Mom/Off/Mom	2
	19	56992	(000000-) Plug, Hole, Rnd, 0.50h .03-.12, Blk Nyl	1
	20	223599	(000000-) Cup Holder, Rwk	1
	21	1036892	(000000-) Screw, Hex, M6 X 1.00 X 25, 9.8 Sems	3
	22	1024287	(000000-) Label, Switch, Rocker [M20/M30]	1
	23	9004880	(000000-) Panel, Instmt, Rh, Gas, Replmt	1
	23	9002391	(000000-) Panel, Instmt, Rh, Lpg, Replmt	1
	23	9002392	(000000-) Panel, Instmt, Rh, Lpg, Replmt, Ce (Japan and CE Only)	1
	24	1031665	(000000-) Screw, Pan, M8 X 1.25 X 25, Blk	4
	25	361075	(000000-002886)) Light, Panl, 14vdc, , 1.1 X 1.0	1
	26	1041822	(000000-) Light, Led, .312D, 2 Volt [Tri-Color] (ec-H20 only)	1
	27	1075003	(000000-) Keychain, Rectangle, Parts & Service	1

Fig. 7 - Seat Group



FRONT

Fig. 7 - Seat Group

Ref.	Part No.	Serial Number	Description	Qty.	
1	1034767	(000000-) Insulation, Flame-retardant, 0.75-0.88	1	
2	1019228	(000000-) Plate Wldt, Seat	1	
3	1025736	(000000-) Latch	1	
4	09252	(000000-) Screw, Hex, M5 X 0.8 X 20, 8.8	2	
5	19066	(000000-) Washer, Flat, #10	2	
6	06549	(000000-) Nut, Hex, Lock, M5 X 0.8, NI	2	
7	49800	(000000-) Latch	1	
8	02850	(000000-) Nut, Hex, Lock, M4 X 0.7, NI	4	
9	06929	(000000-) Screw, Pan, M4 X 0.7 X 25, 4.8	4	
10	19065	(000000-) Washer, Flat, #08	2	
11	1023499	(000000-) Insulation, Flame-Retardant, 1.0	1	
12	223080	(000000-) Arm Wldt, Safety, Sppt, Seat, .38d 06.5d	1	
13	06943	(000000-) Screw, Hex, M6 X 1.0 X 20, 8.8	1	
14	32483	(000000-) Washer, Flat, 0.25 Sae	9	
15	08708	(000000-) Nut, Hex, Lock, M6 X 1.0, NI	1	
16	21851	(000000-) Spacer, Plstc, Ny	1	
17	09740	(000000-) Screw, Hex, M8 X 1.25 X 20, Ss	3	
18	1017218	(000000-) Washer, Flat, 0.32b 1.00d .12, Ss	11	
▽	19	1022105	(000000-006519) Seat, Suspension, W/1 Arm And Belt	1	
▲		1066893	(000000-006519) Seatbelt, Retractable [Deluxe Seat]	1	
▲		1048955	(000000-006519) Switch, Seat, No [Delta 6440-04]	1	
▲	20	1072815	(000000-006519) Armrest, Rh	1	
	21	32983	(000000-) Nut, Hex, Lock, .31-18, NI	4
	22	364749	(000000-) Washer, Flat, 0.41b 1.25d .12, Pye	1
	23	32492	(000000-) Washer, Flat, 0.38 Std	2
	24	08085	(000000-) Pin, Cotter, Hair, 0.31d .058 Wir	1
	25	1022005	(000000-) Cover, Lower	1
	26	1031665	(000000-) Screw, Pan, M8 X 1.25 X 25, Blk	2
	27	39349	(000000-) Washer, Flat, 0.31 Sae	2
	28	1018776	(000000-) Shroud, Seat	1
	29	1026825	(000000-) Bracket, Latch, Shrd, Seat	1
	30	09200	(000000-) Screw, Pan, M5 X 0.8 X 12, Ss	8
	31	1024464	(000000-) Hinge Wldt, Shrd, Rh	2
	32	16931	(000000-) Screw, Hex, M8 X 1.25 X 20, 8.8	8
	33	1024425	(000000-) Hinge Wldt, Shrd, Rh	2
	34	1025916	(000000-) Grill, Side	1
	35	41178	(000000-) Washer, Flat, 0.25 Fendr	6
	36	1020487	(000000-) Bracket, Seat, Adj	1
	37	1030588	(000000-) Seal, Afmkt, Bulb, 90, 0.75d F/11ga 02ft	1
	38	1031206	(000000-) Seal, Afmkt, Bulb, 90, 0.50d, 02ft	1
	39	58494	(001299-) Stud, Ball, .39d .31-16, Gasspring	2
	40	368391	(001299-) Gasspring, 180lb, 03.0strk	1
	41	01760	(001299-) Nut, Hex, Lock, .31-18, NI, Thin	2
	42	76888	(002886-) Plug, Hole, Rnd, 1.25H .03-.12, Blk Nyl	1
	43	32491	(000000-) Washer, Flat, 0.31, Std	4
	44	19066	(000000-) Washer, Flat, 0.25b 0.56d .05, PI, 10	6
	45	1072456	(006520-) Seat (See Breakdowns)	1

Fig. 8 - Steering Group

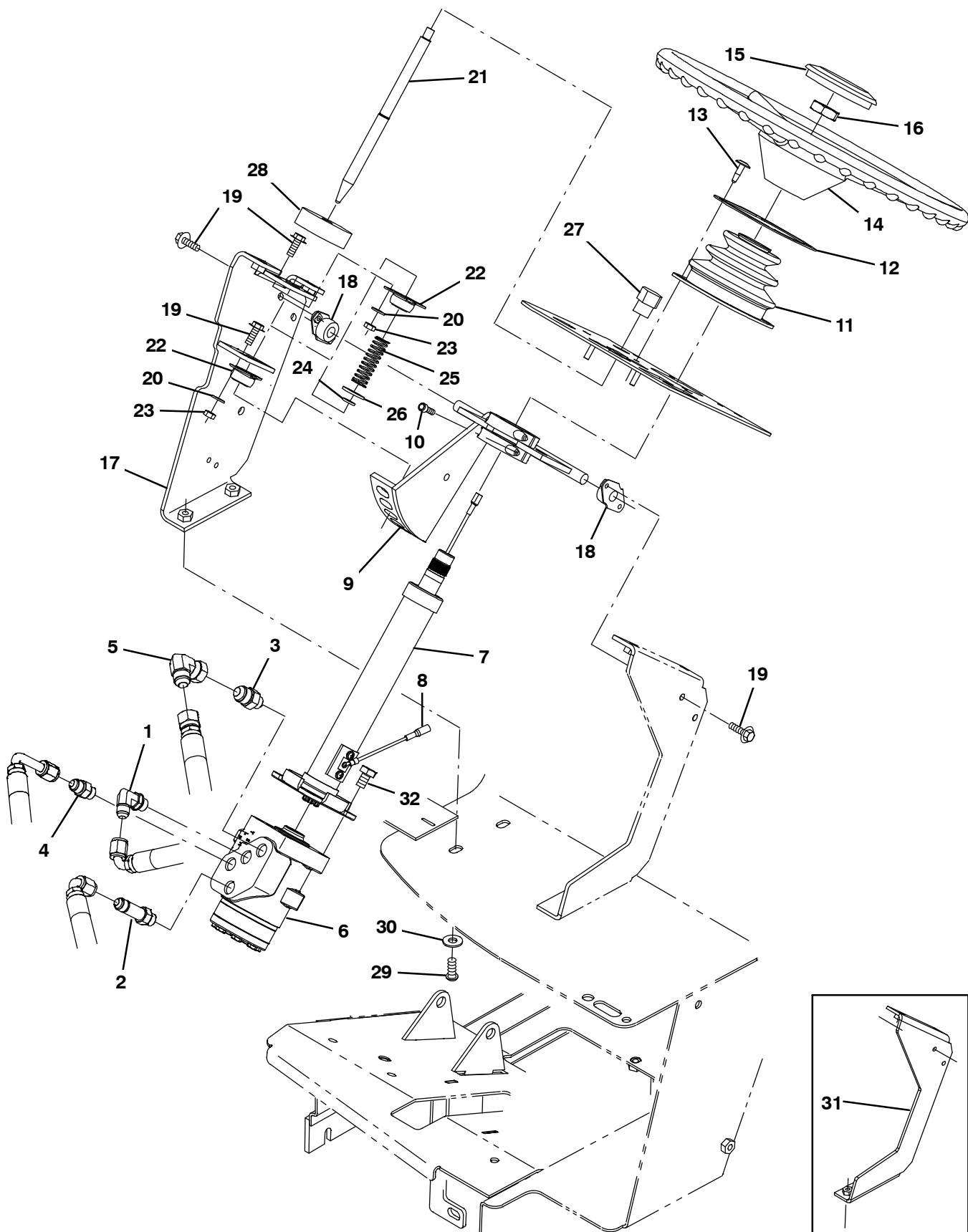


Fig. 8 - Steering Group

Ref.	Part No.	Serial Number	Description	Qty.	
1	56820	(000000-) Fitting, Hyd, E90, Jm06/Om06	1	
2	59577	(000000-) Fitting, Hyd, Str, Jm06/Om06, L	1	
3	56835	(000000-) Fitting, Hyd, Str, Jm08/Om06	1	
4	56690	(000000-) Fitting, Hyd, Str, Jm06/Om06	1	
5	17980	(000000-) Fitting, Hyd, E90, Jf08/Jm08	1	
6	1024260	(000000-) Steer-Control, Hyd#05, 06.1 2030 (See Breakdowns)	1	
▽	7	1021265	(000000-) Column, Steering, 09.9L 0.86D 36Tooth	1
▲	8	388153	(000000-) Contact Kit, W/ Brush [En]	4
▽	9	73027	(000000-) Bracket Wldt, Steering, Tilt	1
▲	10	01681	(000000-) Screw, Soc, .25-20 X 0.75, Al	4
11	70622	(000000-) Boot, Bellows, 3.1l 4.4w 2.8h 1hole, Neo	1	
12	70623	(000000-) Retainer, Boot, Steering Column	1	
13	72970	(000000-) Rivet, Plstc, .250d X 0.898	4	
14	1058996	(000000-) Wheel, Steering, 14.3d 0.81b 36tooth	1	
15	1024478	(000000-) Button, Cntrl, Horn	1	
16	56185	(000000-) Nut, Hex, Jam, M20 X 1.5	1	
17	1024695	(000000-) Bracket Wldt, Tilt, Rh	1	
18	70709	(000000-) Bearing, Flng, 2-Hole, 0.50b	2	
19	1040467	(000000-) Screw, Hex, M6 X 1.00 X 20, 9.8, Sems	8	
20	32483	(000000-) Washer, Flat, 0.25 Sae	4	
21	1023926	(000000-) Pin, Locking, Steering, Tilt	1	
22	47585	(000000-) Bearing, Flng, 2hole, 0.50b [Nyl]	2	
23	08708	(000000-) Nut, Hex, Lock, M6 X 1.0, NI	4	
24	70717	(000000-) Ring, Retaining, Ext, 0.50d, Hd	1	
25	22290	(000000-) Spring, Cmpr, 18.8d, 1.6w, 57.1l	1	
26	32486	(000000-) Washer, Flat, 0.50 Sae	1	
27	04706	(000000-) Knob, Tee, 2.5x1.0 1.1l 0.38-16 Plstc	1	
28	75968	(000000-) Insulation, Acstc, Rnd, 0.8, 02.5d 0.5h	1	
29	1031665	(000000-) Screw, Pan, M8 X 1.25 X 25, Blk	2	
30	32491	(000000-) Washer, Flat, 0.31, Std	2	
31	1024157	(000000-001052) Bracket, Tilt, Lh	1	
32	06960	(000000-) Screw, Hex, M10 X 1.5 X 16, 8.8	4	

Fig. 9 - Front Cover Group

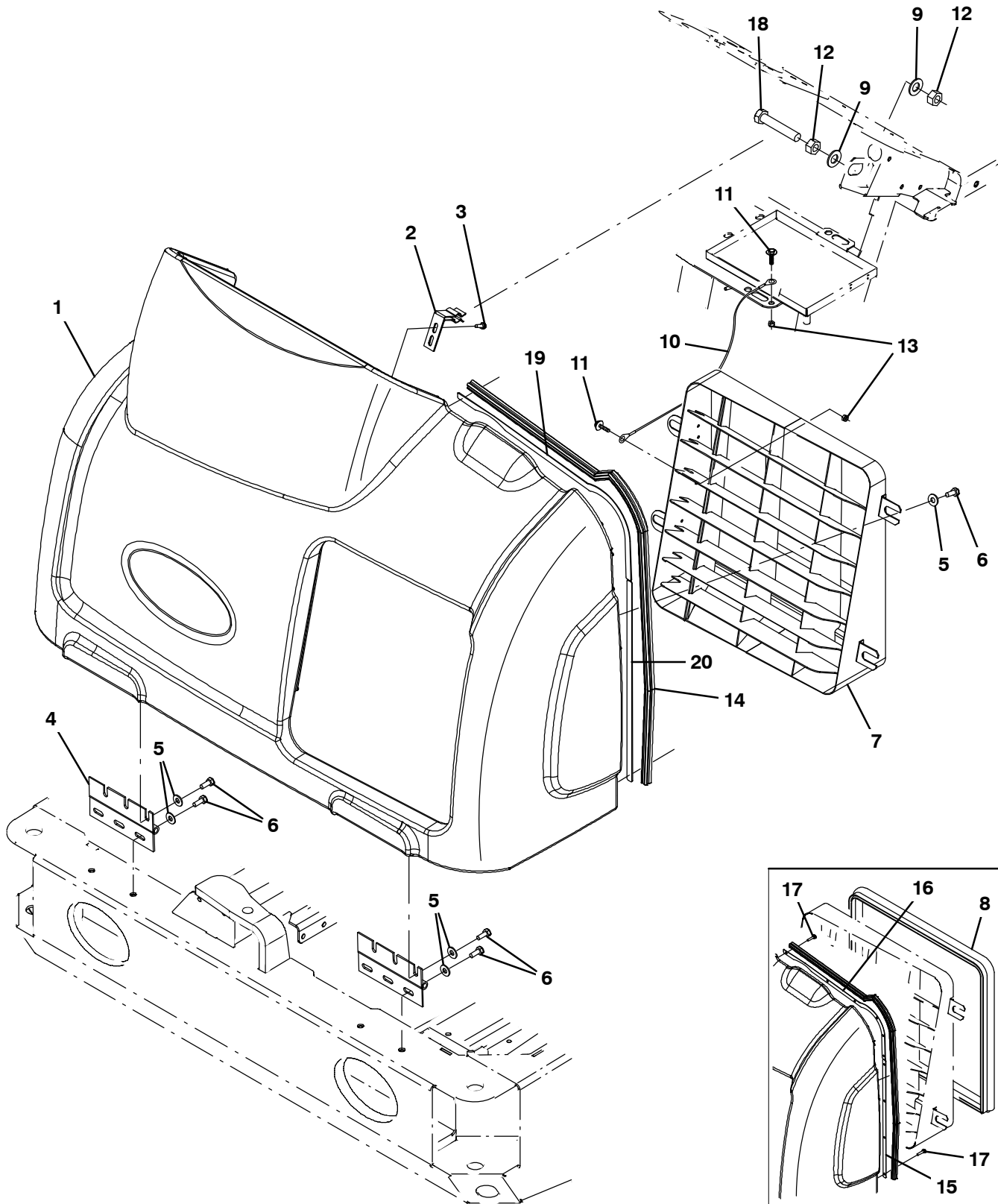


Fig. 9 – Front Cover Group

Ref.	Part No.	Serial Number	Description	Qty.
1	1022069	(000000–) Shroud, Front, Trimmed	1
2	1008916	(000000–) Bracket Wldt, Latch	1
3	06942	(000000–) Screw, Hex, M6 X 1.0 X 16, 8.8	2
4	71941	(000000–) Hinge, .38pin .11 3.5w 06.0l 6/0.38sl	2
5	32491	(000000–) Washer, Flat, 0.31, Std	14
6	16931	(000000–) Screw, Hex, M8 X 1.25 X 20, 8.8	14
7	1035068	(000000–) Grill Wldt, Front	1
8	1031557	(000000–001277) Seal, Afrmkt, Bulb, Str, 1.0d F/11ga 08ft	1
9	15331	(000000–) Washer, Flat, 0.62 Sae	2
10	391368	(000000–) Cable, Glv .09d 016.5l .38eye /.38eye	1
11	1040467	(000000–) Screw, Hex, M6 X 1.00 X 20, 9.8, Sems	2
12	07782	(000000–) Nut, Hex, Std, M16 X 2.0	2
13	08708	(000000–) Nut, Hex, Lock, M6 X 1.0, NI	2
14	1049919	(000000–) Seal, Sponge, 0.88 1.00W 43.0L	1
15	1029652	(000000–002064) Plate, Mtg, Seal	1
16	1029545	(000000–002064) Plate, Mtg, Seal	1
17	20394	(000000–002064) Screw, Hex, #10–16 X 0.62, Fmg, [Ab]	10
18	06988	(000000–) Screw, Hex, M16 X 2.0 X 90, 8.8	1
19	1037970	(002065–) Strip Mtg, Seal	1
20	1037971	(002065–) Strip Mtg, Seal	1

Fig. 10 – Engine Cover Group

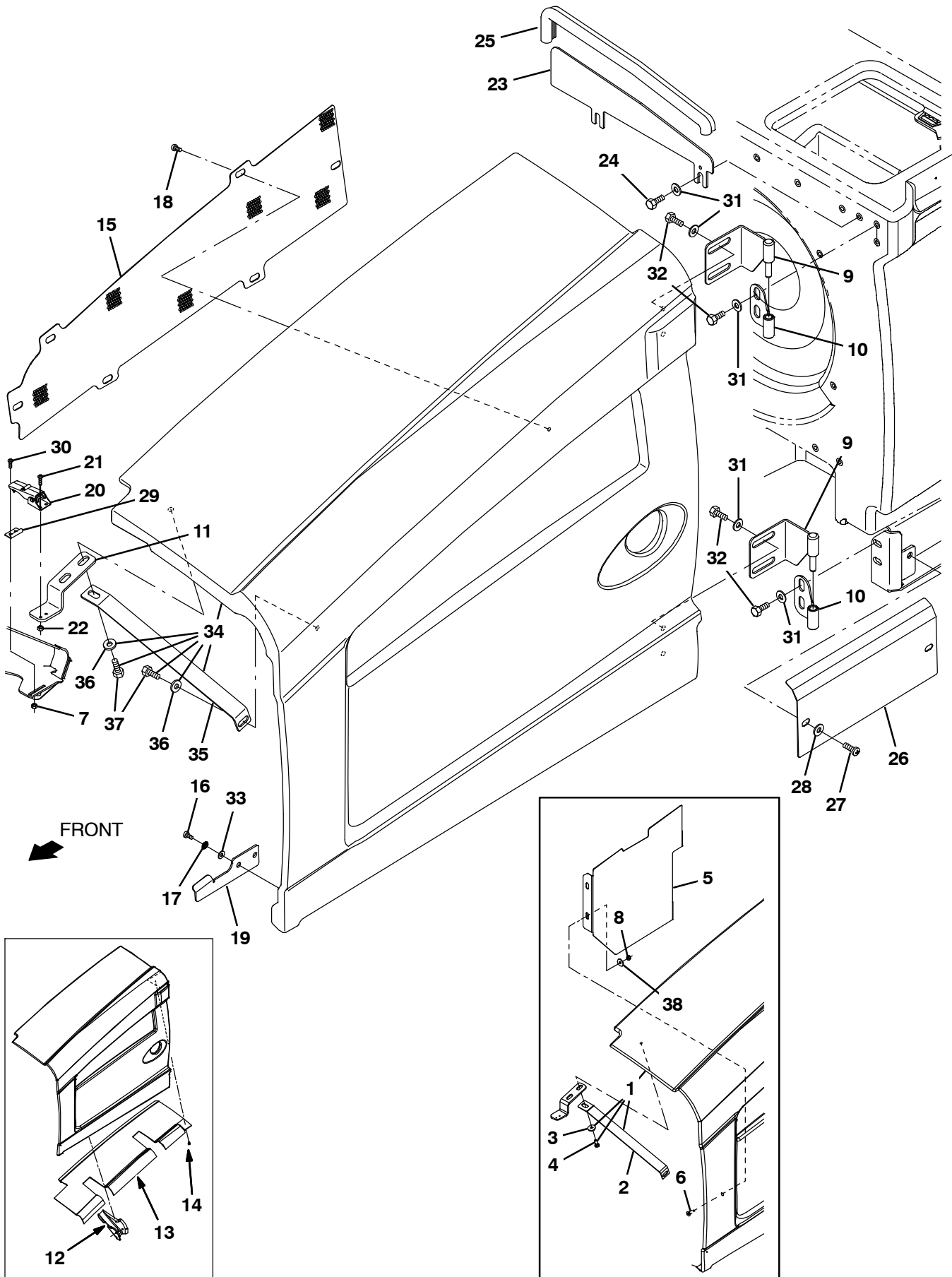


Fig. 10 – Engine Cover Group

Ref.	Part No.	Serial Number	Description	Qty.
▽	1	1033156	(000000–005999) Shroud Assy, Eng	1
▲	2	1026628	(000000–005999) Angle, Brace, Shrd	1
▲	3	1017218	(000000–005999) Washer, Flat, 0.32b 1.00d .12, Ss	2
▲	4	16931	(000000–005999) Screw, Hex, M8 X 1.25 X 20, 8.8	2
	5	1022004	(000000–005999) Bracket, Shield, Heat	1
	6	74077	(000000–005999) Screw, Flt, M8 X 1.25 X 25	4
	7	33932	(000000–) Nut, Hex, Lock, M4 X 0.7, NI, Ss	2
	8	08709	(000000–005999) Nut, Hex, Lock, M8 X 1.25, NI	4
	9	1024500	(000000–) Hinge Wldt, Shrd, Lh	2
	10	1025196	(000000–) Hinge Wldt, Shrd, Lh	2
	11	1020186	(000000–) Bracket, Latch, Cover	1
	12	1028516	(000000–001327) Insulation, Shrd, Eng, Gusset	1
	13	1026665	(000000–001327) Insulation, Flame-Retardant, 0.5	1
	14	21168	(000000–001327) Clip, .250h, Plstc [Pine-Tree]	14
	15	1026726	(000000–) Grill, Eng	1
	16	09200	(000000–) Screw, Pan, M5 X 0.8 X 12, Ss	2
	17	19066	(000000–) Washer, Flat, #10	2
	18	222267	(000000–) Screw, Pan, Phl, 06–20 X 0.50, Fmg/Ab	6
	19	1028412	(000000–) Bracket, Guide, Shrd	1
	20	384418	(000000–) Latch, Door [Southco 91–562–07]	1
	21	06927	(000000–) Screw, Pan, M4 X 0.7 X 16, 4.8	2
	22	02850	(000000–) Nut, Hex, Lock, M4 X 0.7, NI	2
	23	1025806	(000000–) Plate, Seal, Sound	1
	24	09740	(000000–) Screw, Hex, M8 X 1.25 X 20, Ss	2
	25	1030588	(000000–) Seal, Afrmkt, Bulb, 90, 0.75d F/11ga 02ft	2
	26	1022005	(000000–) Cover, Lower	1
	27	1031665	(000000–) Screw, Pan, M8 X 1.25 X 25, Blk	2
	28	39349	(000000–) Washer, Flat, 0.31 Sae	2
	29	384419	(000000–) Bracket, Latch, Keeper [Southco]	1
	30	24265	(000000–) Screw, Pan, M4 X 0.7 X 16, Ss	2
	31	1017218	(000000–) Washer, Flat, 0.32b 1.00d .12, Ss	11
	32	16931	(000000–) Screw, Hex, M8 X 1.25 X 20, 8.8	7
	33	41139	(000000–) Washer, Lock, Int–Ext, 10	2
▽	34	1071439	(006000–) Shroud Assy, Eng	1
▲	35	1026628	(006000–) Angle, Brace, Shrd	1
▲	36	1017218	(006000–) Washer, Flat, 0.32b 1.00d .12, Ss	2
▲	37	16931	(006000–) Screw, Hex, M8 X 1.25 X 20, 8.8	2
	38	1017218	(000000–005999) Washer, Flat, 0.32b 1.00d .12, Ss	4

STANDARD PARTS

Fig. 11 – GM Engine and Mount Group (000000– 005999)

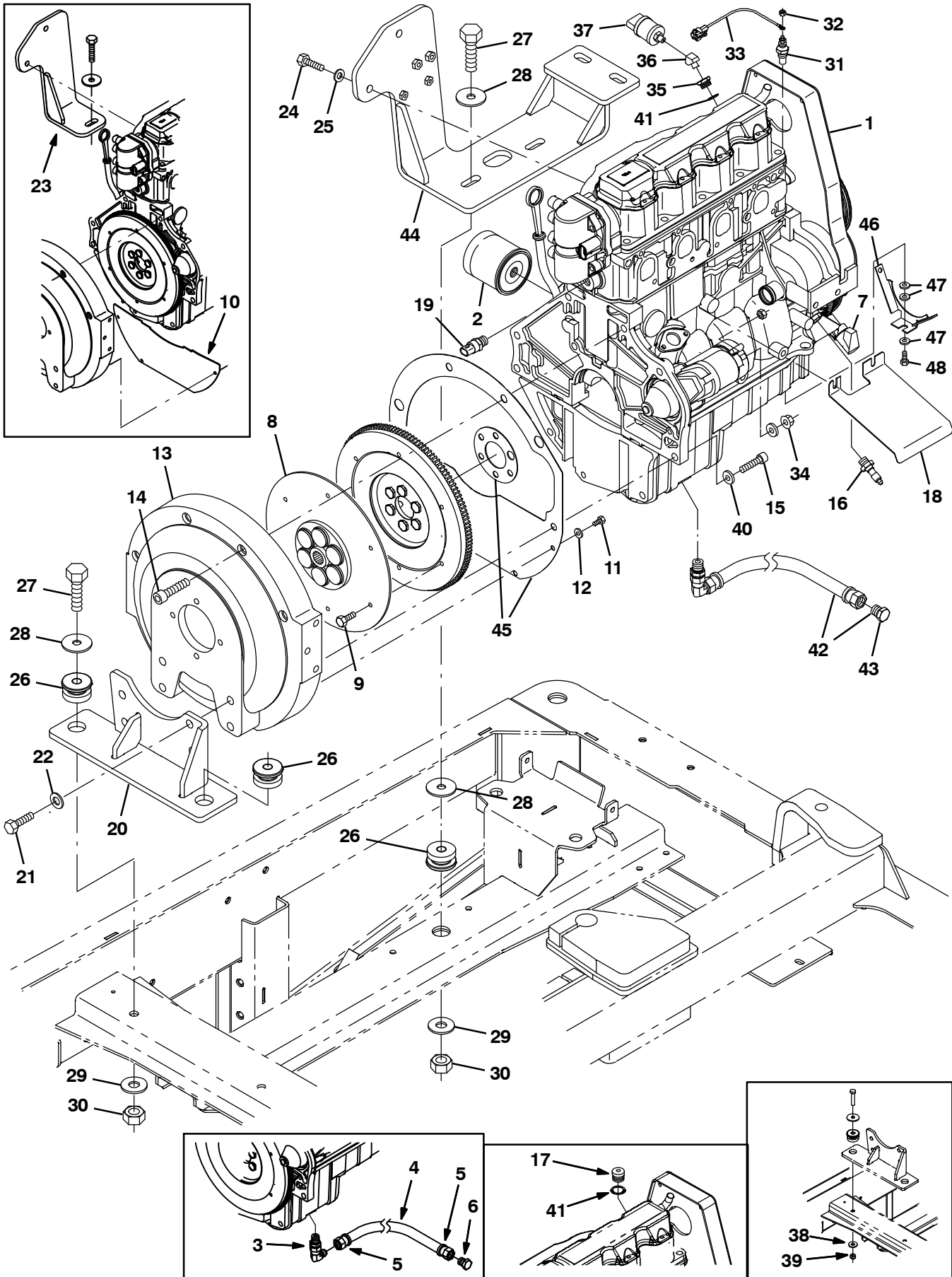


Fig. 11 – GM Engine and Mount Group (000000–005999)

Ref.	Part No.	Serial Number	Description	Qty.
▽	1	372862	(000000–005999) Engine [Long Block Gm 1.6l] (See Engine Breakdown)	1
▲	2	371972	(000000–005999) Element, Fltr, Oil, Eng, Spin-On (GM)	1
	3	372541	(000000–001999) Fitting, E90, M14 X .56	1
	4	371855	(000000–001999) Hose, Hyd, 26.0l	1
	5	371876	(000000–001999) Fitting, End, Hose	2
	6	371890	(000000–001999) Fitting, Pipe, Plug	1
	7	372002	(000000–005999) Sensor, Position, Cshft	1
	8	371866	(000000–005999) Coupling, Drive, 13t	1
	9	9008395	(000000–005999) Screw, Hex, M07–1.00 X 20.0, 8.8	6
	10	371868	(000000–003122) Cover, Hsng, Flywheel (Replaced By 9006895)	1
	11	19315	(000000–005999) Screw, Hex, .25–20 X 0.50, 5	4
	12	32490	(000000–005999) Washer, Flat, 0.25 Std	4
	13	371869	(000000–005999) Housing, Pump	1
	14	371870	(000000–005999) Screw, Soc, M12 X 1.75 X 55, 10.9	4
	15	10832	(000000–005999) Screw, Soc, .38–16 X 1.50, Al	2
	16	371996	(000000–003122) Switch, Indicator, Oil Press	1
	16	9008197	(003123–005999) Switch, Indicator, Oil Press [2010]	1
	17	371860	(000000–001999) Fitting, Pipe, Plug, Metric, M18,Soc	1
	18	372556	(000000–005999) Shield, Starter [1.6l]	1
	19	372953	(000000–005999) Sensor, Temp, Coolant	1
	20	1023288	(000000–005999) Bracket Wldt, Mtg, Eng, Back, Gas/Lpg	1
	21	39810	(000000–005999) Screw, Hex, .50–13 X 1.25, 5	4
	22	32486	(000000–005999) Washer, Flat, 0.50 Sae	4
	23	1011353	(000000–003038) Mount Wldt, Eng, Gas/Lpg	1
	24	39283	(000000–005999) Screw, Hex, M10 X 1.5 X 25, 8.8	2
	25	32485	(000000–005999) Washer, Flat, 0.38 Sae	2
	26	51176	(000000–005999) Isolator, Vib, .50d	3
	27	06972	(000000–005999) Screw, Hex, M12 X 1.75 X 60, 8.8	3
	28	04414	(000000–005999) Washer, Flat, 0.53b 1.88d .12, Stl, Pl	4
	29	32493	(000000–005999) Washer, Flat, 0.50 Std	3
	30	08711	(000000–005999) Nut, Hex, Lock, M12 X 1.75,Nl	3
	31	1042028	(000000–005999) Sensor, Temp, Water [Rework For 1.6GM]	1
	32	50335	(000000–005999) Nut, Hex, Std, M5 X 0.8, 8	1
	33	1030073	(000000–005999) Wire, 16ga 09.6l Brown Mp280/ #10ring	1
	34	41361	(000000–005999) Nut, Hex, Std, M8 X 1.25, Brs	1
	35	1031439	(002000–005999) Fitting, Pipe, Bshg, M18 X 1.5	1
	36	24976	(002000–005999) Fitting, Brs, E45, Pf02/Pm02	1
	37	1055106	(002000–005999) Switch, Press, 0006psi Dpdt	1
	38	32493	(000000–001337) Washer, Flat, 0.50, Std	2
	39	08711	(000000–001337) Nut, Hex, Lock, M12 X 1.75,Nl	2
	40	371877	(000000–005999) Washer, Flat, 0.38, Hardened	2
	41	385029	(000000–005999) Gasket, Plug, Relief Valve,Oil Press	1
▽	42	9006634	(002000–005999) Hose, Drain, Eng Oil	1
▲	43	9006635	(002000–005999) Fitting, Plug	1
	44	1046022	(003039–005999) Bracket Wldt, Mtg, Eng	1
	45	9006895	(003123–005999) Plate Kit, Repair	1
	46	1056566	(003086–005999) Plate, Guard, Belt [Gm 1.6l]	1
	47	32490	(003086–005999) Washer, Flat, 0.25, Std	3
	48	06943	(003086–005999) Screw, Hex, M6 X 1.00 X 20, 8.8	1

Fig. 12 – GM Engine EFI Group, Gasoline (000000–001999)

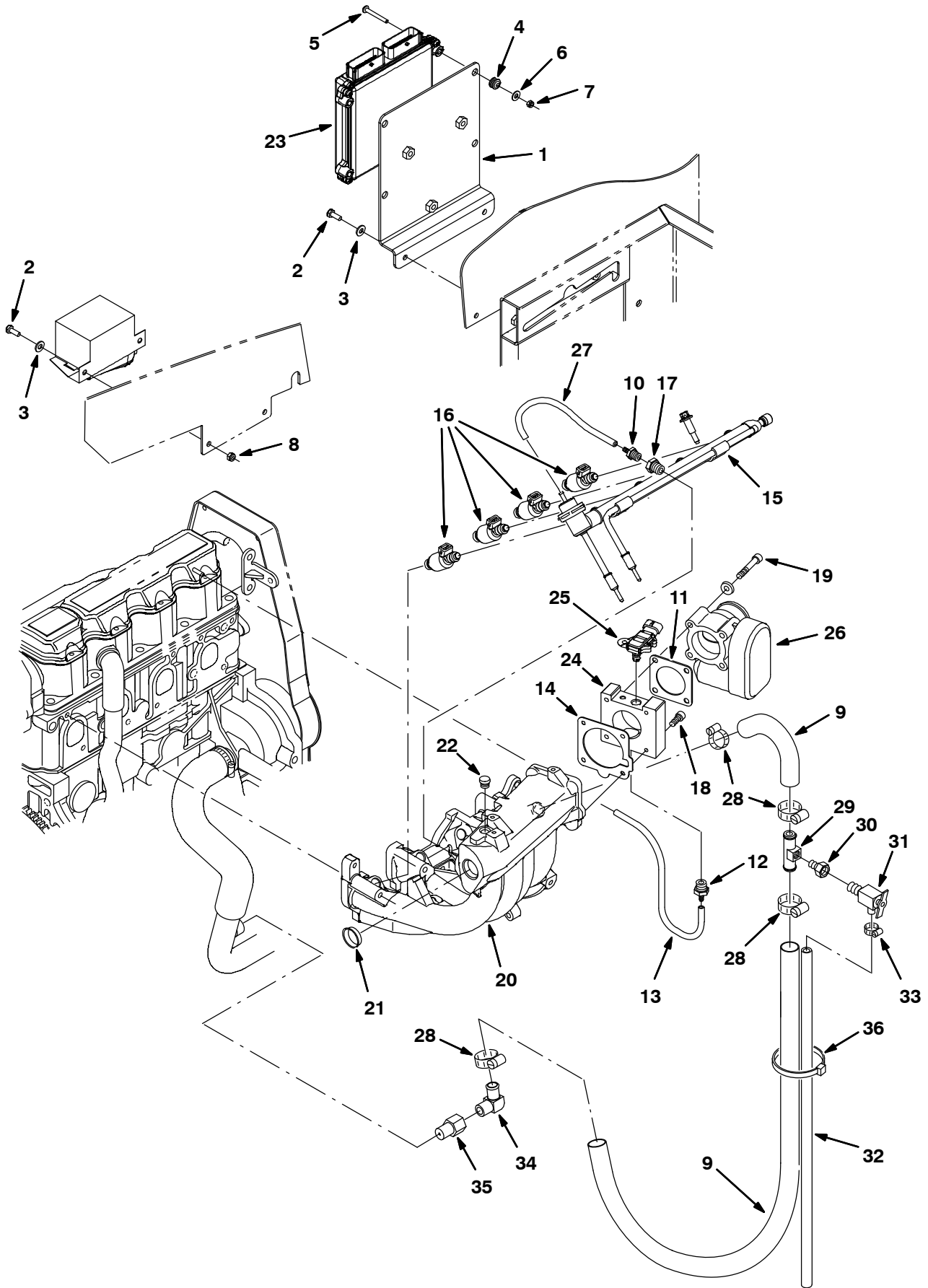


Fig. 12 – GM Engine EFI Group, Gasoline (000000–001999)

Ref.	Part No.	Serial Number	Description	Qty.	
1	1018939	(000000–001999)	Bracket, Mtg [Ecu]	1	
2	06942	(000000–001999)	Screw, Hex, M6 X 1.0 X 16, 8.8	4	
3	32483	(000000–001999)	Washer, Flat, 0.25 Sae	4	
4	46314	(000000–001999)	Grommet, Rbr, 0.20id, F/0.4h, .12 Matl	4	
5	06938	(000000–001999)	Screw, Pan, M5 X 0.8 X 40, 4.8	4	
6	01683	(000000–001999)	Washer, Flat, #10, Ss	8	
7	06549	(000000–001999)	Nut, Hex, Lock, M5 X 0.8, NI	4	
8	08708	(000000–001999)	Nut, Hex, Lock, M6 X 1.0, NI	2	
9	1022364	(000000–001999)	Hose, Heater	1	
10	372542	(000000–001999)	Fitting, Str, .19brb X .12mpt	1	
11	372545	(000000–001999)	Gasket, Body, Throttle [1.6l]	1	
12	372543	(000000–001999)	Fitting, Vacuum [M16–15–6h]	1	
13	372489	(000000–001999)	Hose, 9.5mm X 450mm [Pcv]	1	
14	372544	(000000–001999)	Gasket, Manifold, Intake	1	
▽	15	372566	(000000–001999)	Rail, Injector, Gas, W/ Press Reg	1
▲	16	372563	(000000–001999)	Injector Kit, Fuel, Gas	4
	17	372537	(000000–001999)	Bushing, M06–1.50 X .25–27npt	1
	18	06532	(000000–001999)	Screw, Soc, M6 X 1.0 X 25, 12.9	4
	19	07255	(000000–001999)	Screw, Soc, M6 X 1.0 X 45, 12.9	4
	20	372547	(000000–001999)	Manifold, Intake [1.6l]	1
	21	372549	(000000–001999)	Plug, Manifold, Intake	1
	22	372550	(000000–001999)	Plug, Port, Sensor [Map]	1
	23	372858	(000000–001999)	Module, Ecu, Gas [Gm 1.6l]	1
	24	372534	(000000–001999)	Adapter, Intake, Throttle Body	1
	25	372493	(000000–001999)	Sensor [Tmap]	1
	26	384974	(000000–001999)	Housing, Throttle, 40mm [Bosch]	1
	27	372546	(000000–001999)	Hose, Fuel, .19	1
	28	63810	(000000–001999)	Clamp, Hose, Wormdrive, 0.56–1.06d, .56w	4
	29	83578	(000000–001999)	Tube, Air Bleed, .62d 2.2l .12npt Alm	1
	30	1015930	(000000–001999)	Fitting, Brs, Str, Pf04/Pm02	1
	31	51305	(000000–001999)	Fitting, Draincock, E90, .25npt	1
	32	73471	(000000–001999)	Hose, Pvc, Clr, 0.38id 0.56od 22.00l	1
	33	43844	(000000–001999)	Clamp, Hose, Wormdrive, 0.25–0.62d, .31w	1
	34	51839	(000000–001999)	Fitting, Brs, E90, Em10/Pm06	1
	35	1015547	(000000–001999)	Fitting, Adapter, Orifice, Pf06/Pm06	1
	36	49266	(000000–001999)	Tie, Cable, Nyl, 07.3l .19w 1.8 Max D	1

STANDARD PARTS

Fig. 13 – GM Engine EFI Group, Gasoline (002000–003122)

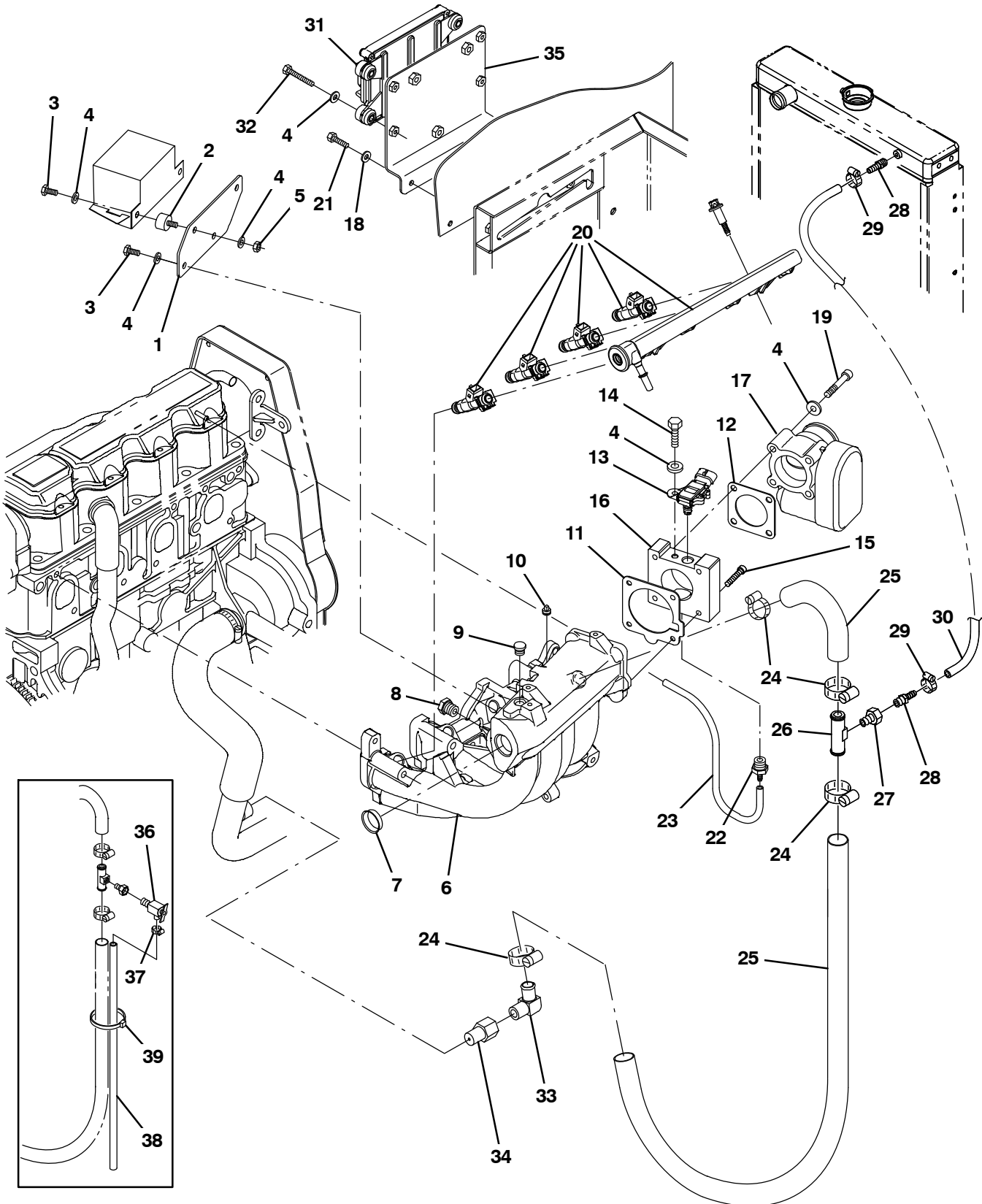


Fig. 13 – GM Engine EFI Group, Gasoline (002000–003122)

Ref.	Part No.	Serial Number	Description	Qty.	
1	1031312	(002000–003122)	Plate, Mtg, Relay	1	
2	372470	(002000–003122)	Isolator, Box, Relay	2	
3	19315	(002000–003122)	Screw, Hex, .25–20 X 0.50, G5	4	
4	32490	(002000–003122)	Washer, Flat, 0.25, Std	13	
5	19312	(002000–003122)	Nut, Hex, Std, .25–20	2	
6	372547	(002000–003122)	Manifold, Intake [1.6l]	1	
7	372549	(002000–003122)	Plug, Manifold, Intake	1	
8	384995	(002000–003122)	Fitting, Plug, M16, Intake Manifold	1	
9	372550	(002000–003122)	Plug, Port, Sensor [Map]	1	
10	372548	(002000–003122)	Plug, .12npt, Ss	1	
▽	9003390	(002000–003122)	Gasket Kit, Repair, Gas [Gm1.6l 2007]	1	
▲	11	372544	(002000–003122)	Gasket, Manifold, Intake	1
▲	12	372545	(002000–003122)	Gasket, Body, Throttle [1.6l]	1
13	372493	(002000–003122)	Sensor [T Map]	1	
14	19317	(002000–003122)	Screw, Hex, .25–20 X 0.75, G5	1	
15	06532	(002000–003122)	Screw, Soc, M6 X 1.00 X 25, 12.9	4	
16	372534	(002000–003122)	Adapter, Intake, Throttle Body	1	
17	384974	(002000–003122)	Housing, Throttle, 40mm [Bosch]	1	
18	32483	(002000–003122)	Washer, Flat, 0.25, Sae	2	
19	07255	(002000–003122)	Screw, Soc, M6 X 1.00 X 45, 12.9	4	
20	384992	(002000–003122)	Rail, Injector, Fuel, Plstc	1	
21	06942	(002000–003122)	Screw, Hex, M6 X 1.00 X 16, 8.8	2	
22	372543	(002000–003122)	Fitting, Vacuum [M16–15–6h]	1	
23	384972	(002000–003122)	Hose, Vacuum, 0.22id X 15.0l	1	
24	63810	(002000–003122)	Clamp, Hose, Wormdrive, 0.56–1.06d, .56w	4	
25	1022364	(002000–003122)	Hose, Heater	1	
26	83578	(002000–003122)	Tube, Bleed, Air, .62od 2.2l .12npt, Alm	1	
27	1015930	(002000–003122)	Fitting, Brs, Str, Pf04/Pm02	2	
28	150516	(002493–003122)	Fitting, Brs, Str, Bm06/Pm05	2	
29	54333	(002493–003122)	Clamp, Hose, Wormdrive, 0.31–0.88d, .31w	2	
30	1043481	(002493–003122)	Hose, Heater, 0.38ID	1	
31	1028711	(002000–003122)	Module, Ecu, Gas [Gm1.6l 2700]	1	
32	06946	(002000–003122)	Screw, Hex, M6 X 1.00 X 35, 8.8	4	
33	51839	(002000–003122)	Fitting, Brs, E90, Em10/Pm06	1	
34	1015547	(002000–003122)	Fitting, Adapter, Orifice, Pf06/Pm06	1	
35	1029082	(002000–003122)	Bracket, Mtg, Ecu [M20/T20 2007]	1	
36	51305	(002000–002492)	Fitting, Draincock, E90, .25npt	1	
37	43844	(002000–002492)	Clamp, Hose, Wormdrive, 0.25–0.62d, .31w	1	
38	73471	(002000–002492)	Hose, Pvc, Clr, 0.38id 0.56od 022.0l	1	
39	49266	(002000–002492)	Tie, Cable, Nyl, 07.3l .19w 1.8 Max D	1	

Fig. 14 – GM Engine EFI Group, Gasoline (003123–005999)

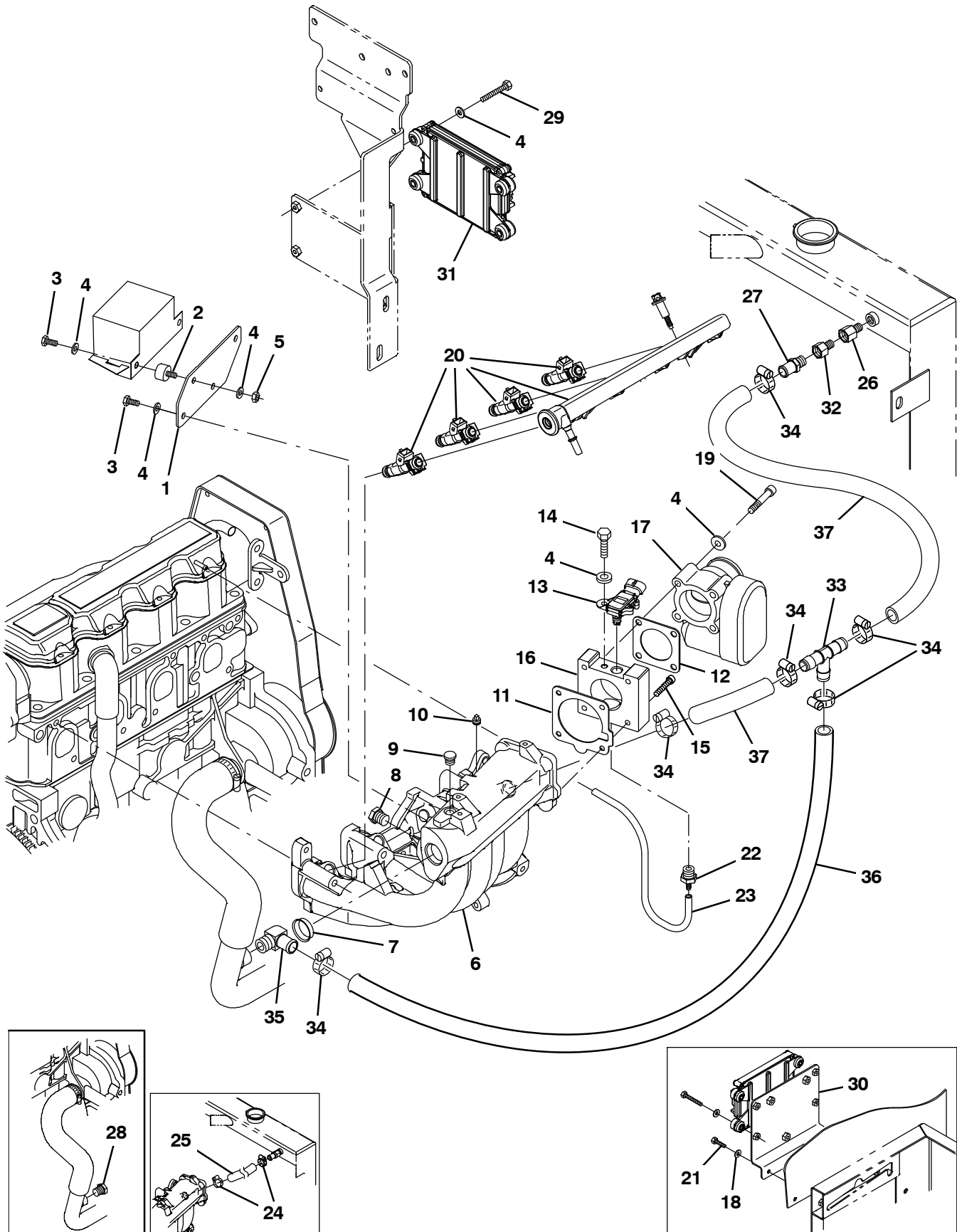


Fig. 14 – GM Engine EFI Group, Gasoline (003123–005999)

Ref.	Part No.	Serial Number	Description	Qty.	
1	1031312	(003123–005999)	Plate, Mtg, Relay	1	
2	372470	(003123–005999)	Isolator, Box, Relay	2	
3	19315	(003123–005999)	Screw, Hex, .25–20 X 0.50, G5	4	
4	32490	(003123–005999)	Washer, Flat, 0.25, Std	13	
5	19312	(003123–005999)	Nut, Hex, Std, .25–20	2	
6	372547	(003123–005999)	Manifold, Intake [1.6l]	1	
7	372549	(003123–005999)	Plug, Manifold, Intake	1	
8	384995	(003123–005999)	Fitting, Plug, M16, Intake Manifold	1	
9	372550	(003123–005999)	Plug, Port, Sensor [Map]	1	
10	372548	(003123–005999)	Plug, .12npt, Ss	1	
▽	9003390	(003123–005999)	Gasket Kit, Repair, Gas [Gm1.6l 2007]	1	
▲	11	372544	(003123–005999)	Gasket, Manifold, Intake	1
▲	12	372545	(003123–005999)	Gasket, Body, Throttle [1.6l]	1
	13	372493	(003123–005999)	Sensor [T Map]	1
	14	19317	(003123–005999)	Screw, Hex, .25–20 X 0.75, G5	1
	15	06532	(003123–005999)	Screw, Soc, M6 X 1.00 X 25, 12.9	4
	16	9006619	(003123–005999)	Adapter	1
	17	384974	(003123–005999)	Housing, Throttle, 40mm [Bosch]	1
	18	32483	(003123–003170)	Washer, Flat, 0.25, Sae	2
	19	07255	(003123–005999)	Screw, Soc, M6 X 1.00 X 45, 12.9	4
	20	384992	(003123–005999)	Rail, Injector, Fuel, Plstc	1
	21	06942	(003123–003170)	Screw, Hex, M6 X 1.00 X 16, 8.8	2
	22	372543	(003123–005999)	Fitting, Vacuum [M16–15–6h]	1
	23	384972	(003123–005999)	Hose, Vacuum, 0.22id X 15.0l	1
	24	63810	(003123–003268)	Clamp, Hose, Wormdrive, 0.56–1.06d, .56w	2
	25	61869	(003123–003268)	Hose, Heater, 0.62id, 024.0l	1
	26	1042772	(003123–005999)	Fitting, Brs, Str, Pf06/Pm04	1
	27	27767	(003123–005999)	Fitting, Brs, Str, Em10/Pm06	1
	28	762282	(003123–003268)	Fitting, Hyd, Plug, Pm06	1
	29	06946	(003123–005999)	Screw, Hex, M6 X 1.00 X 35, 8.8	4
	30	1029082	(003123–003170)	Bracket, Mtg, Ecu [M20/T20 2007]	1
	31	1056232	(003123–005999)	Module, Ecu, Gas [Gm1.6l 2010]	1
	32	1015547	(003123–005999)	Fitting, Adapter, Orifice, Pf06/Pm06	1
	33	1062116	(003269–005999)	Fitting, Plstc, Tee, Bm10/Bm10/Bm10	1
	34	63810	(003269–005999)	Clamp, Hose, Wormdrive, 0.56–1.06d, .56w	7
	35	51839	(003269–005999)	Fitting, Brs, E90, Em10/Pm06	1
	36	1016560	(003269–005999)	Hose, Afmkt, Rbr, Heater, 0.62id, 02ft	1
	37	1015897	(003269–005999)	Hose, Radiator, Mold, .75ld X .62ld (Cut in two)	1

Fig. 15 - GM Engine EFI Group, LPG (000000-001999)

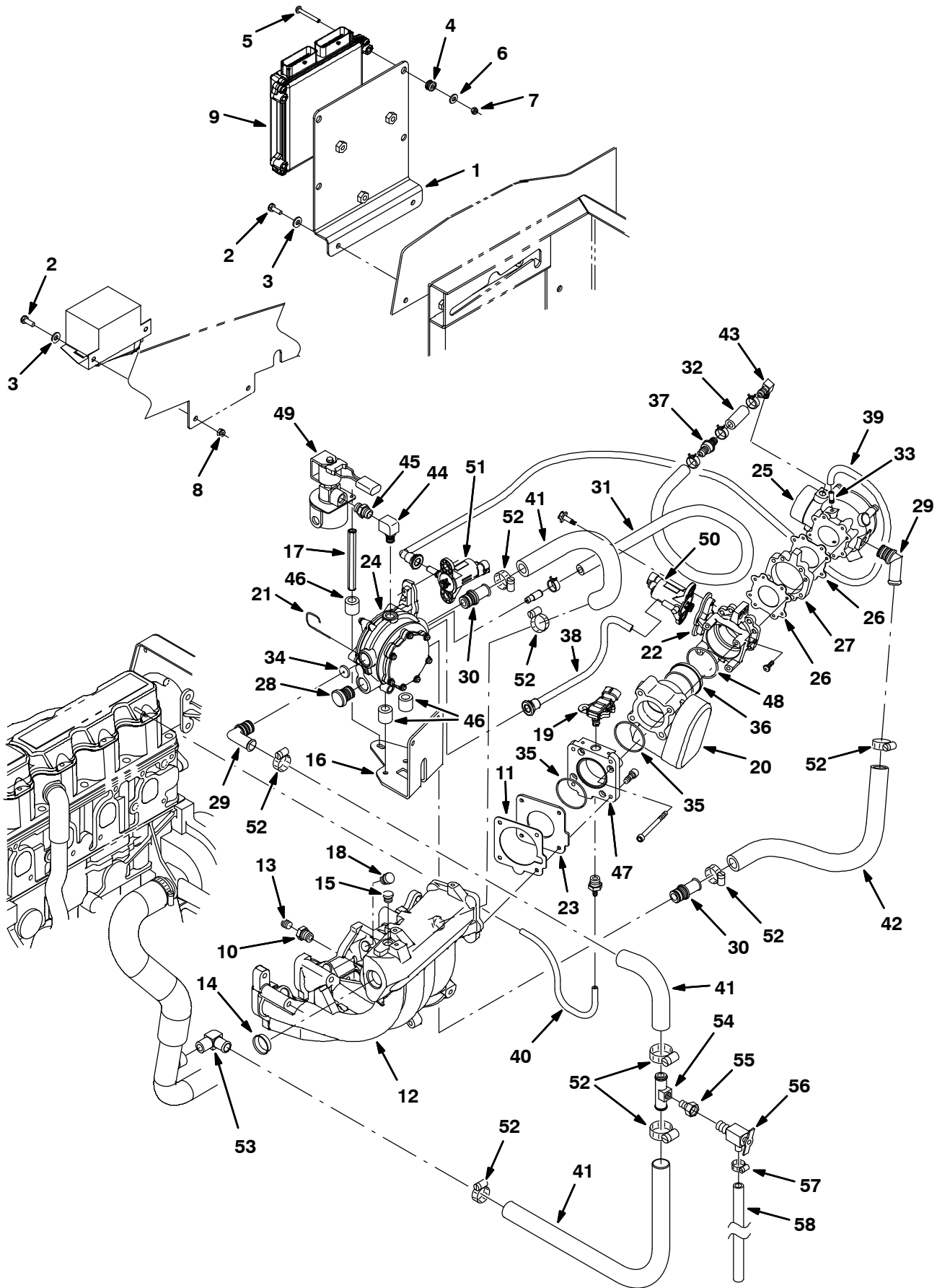


Fig. 15 – GM Engine EFI Group, LPG (000000–001999)

Ref.	Part No.	Serial Number	Description	Qty.	
1	1018939	(000000–001999)	Bracket, Mtg [Ecu]	1	
2	06942	(000000–001999)	Screw, Hex, M6 X 1.0 X 16, 8.8	4	
3	32483	(000000–001999)	Washer, Flat, 0.25 Sae	4	
4	46314	(000000–001999)	Grommet, Rbr, 0.20id, F/0.4h, .12 Matl	4	
5	06938	(000000–001999)	Screw, Pan, M5 X 0.8 X 40, 4.8	4	
6	01683	(000000–001999)	Washer, Flat, #10, Ss	8	
7	06549	(000000–001999)	Nut, Hex, Lock, M5 X 0.8, NI	4	
8	08708	(000000–001999)	Nut, Hex, Lock, M6 X 1.0, NI	2	
9	372857	(000000–001999)	Module, Ecu, Lpg [Gm 1.6l]	1	
10	372537	(000000–001999)	Bushing, M06–1.50 X .25–27npt	1	
11	372544	(000000–001999)	Gasket, Manifold, Intake	1	
12	372547	(000000–001999)	Manifold, Intake [1.6l]	1	
13	372548	(000000–001999)	Plug, .12npt, Ss	1	
14	372549	(000000–001999)	Plug, Manifold, Intake	1	
15	372550	(000000–001999)	Plug, Port, Sensor [Map]	1	
16	372576	(000000–001999)	Bracket, Reg [1.6l]	1	
17	372577	(000000–001999)	Spacer, Sppt, Fltr Lock Off	1	
18	372579	(000000–001999)	Plug, Hole, Injector	4	
19	372493	(000000–001999)	Sensor [Tmap]	1	
20	372482	(000000–001999)	Housing, Throttle, 40mm [Bosch]	1	
21	372523	(000000–001999)	Pin, Retainer	5	
22	372580	(000000–001999)	Adapter, Valve, Fuel Trim	1	
23	372582	(000000–001999)	Adapter, Plate	1	
24	372500	(000000–001999)	Regulator, Lpg	1	
25	372898	(000000–001999)	Mixer, Lpg [Gm 1.6l]	1	
26	372608	(000000–001999)	Gasket	2	
27	372612	(000000–001999)	Adapter, Throttle Body	1	
28	372515	(000000–001999)	Fitting, Cap	1	
29	372512	(000000–001999)	Fitting, E70	2	
30	372514	(000000–001999)	Fitting, Str	2	
31	372506	(000000–001999)	Hose, Balancing, Press, 680mm	1	
32	372507	(000000–001999)	Hose, Balancing, Press, 045mm	1	
33	372511	(000000–001999)	Fitting, Hose, Vacuum, .25	1	
34	372517	(000000–001999)	Restrictor, Jet, Coolant	1	
35	372484	(000000–001999)	Seal, Org	1	
36	372498	(000000–001999)	Sleeve, Throttle, Plstc [Bosch]	1	
37	372569	(000000–001999)	Valve, Check	1	
38	372609	(000000–001999)	Hose, 170mm [Ftv–Ptv]	1	
39	372605	(000000–001999)	Hose, Valve, Press Trim, 350mm	1	
40	372607	(000000–001999)	Hose, 9.5mm X 290mm [Pcv]	1	
41	372528	(000000–001999)	Hose, Mold, .62 To .75	1	
42	372606	(000000–001999)	Hose, 355mm [FI–Vrp]	1	
43	372510	(000000–001999)	Fitting, E90	1	
44	372611	(000000–001999)	Fitting, Str, E90, .25npt	1	
45	372610	(000000–001999)	Fitting, Nipple, .25npt, Brs	1	
46	372518	(000000–001999)	Isolator, Mtg, Vaporizer, Rbr	3	
47	372558	(000000–001999)	Adapter [1.6]	1	
48	372613	(000000–001999)	Seal, Org, Throttle Body	1	
▽	49	372503	(000000–001999)	Valve, Fuelock, Lpg, Wire Connector	1
▲		372615	(000000–001999)	Filter Kit, Fuelock, Lpg	1

STANDARD PARTS

Fig. 15 – GM Engine EFI Group, LPG (000000–001999)

Ref.	Part No.	Serial Number	Description	Qty.
50	372501	(000000–001999)	Valve, Trim, Fuel, Normal Flow	1
51	372497	(000000–001999)	Valve, Body, Throttle, Lpg	1
52	63810	(000000–001999)	Clamp, Hose, Wormdrive, 0.56–1.06d, .56w	9
53	51839	(000000–001999)	Fitting, Brs, E90, Em10/Pm06	1
54	83578	(000000–001999)	Tube, Air Bleed, .62d 2.2l .12npt Alm	1
55	1015930	(000000–001999)	Fitting, Brs, Str, Pf04/Pm02	1
56	51305	(000000–001999)	Fitting, Draincock, E90, .25npt	1
57	43844	(000000–001999)	Clamp, Hose, Wormdrive, 0.25–0.62d, .31w	1
58	73471	(000000–001999)	Hose, Pvc, Clr, 0.38id 0.56od 22.00l	1

STANDARD PARTS

Fig. 16 – GM Engine EFI Group, LPG (002000–005999)

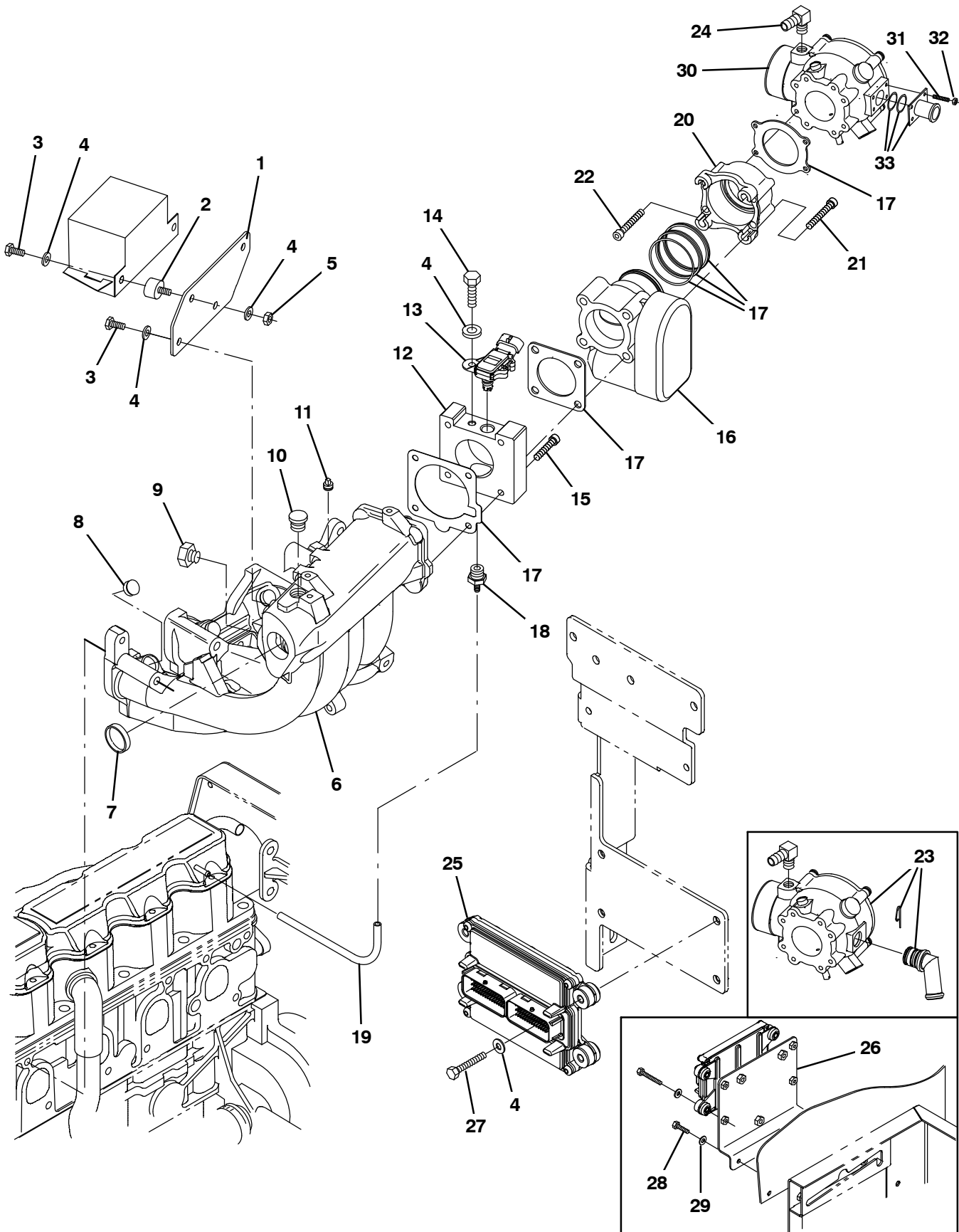


Fig. 16 – GM Engine EFI Group, LPG (002000–005999)

Ref.	Part No.	Serial Number	Description	Qty.	
1	1031312	(002000–005999)	Plate, Mtg, Relay	1	
2	372470	(002000–005999)	Isolator, Box, Relay	2	
3	19315	(002000–005999)	Screw, Hex, .25–20 X 0.50, G5	4	
4	32490	(002000–005999)	Washer, Flat, 0.25, Std	9	
5	19312	(002000–005999)	Nut, Hex, Std, .25–20	2	
6	372547	(002000–005999)	Manifold, Intake [1.6l]	1	
7	372549	(002000–005999)	Plug, Manifold, Intake	1	
8	372579	(002000–005999)	Plug, Hole, Injector	4	
9	384995	(002000–005999)	Fitting, Plug, M16, Intake Manifold	1	
10	372550	(002000–005999)	Plug, Port, Sensor [Map]	1	
11	372548	(002000–005999)	Plug, .12npt, Ss	1	
12	372534	(002000–003122)	Adapter, Intake, Throttle Body	1	
12	9006619	(003123–005999)	Adapter	1	
13	372493	(002000–005999)	Sensor [T Map]	1	
14	19317	(002000–005999)	Screw, Hex, .25–20 X 0.75, G5	1	
15	06532	(002000–005999)	Screw, Soc, M6 X 1.00 X 25, 12.9	4	
16	384974	(002000–005999)	Housing, Throttle, 40mm [Bosch]	1	
17	9003391	(002000–005999)	Gasket Kit, Repair, Lpg [Gm1.6l 2007]	1	
18	372543	(002000–005999)	Fitting, Vacuum [M16–15–6h]	1	
19	384972	(002000–005999)	Hose, Vacuum, 0.22id X 15.0l	1	
20	384996	(002000–005999)	Adapter, Valve, 400mm [Bosch]	1	
21	09037	(002000–005999)	Screw, Soc, M8 X 1.25 X 70, 12.9	4	
22	384991	(002000–005999)	Bolt, Soc Head, M5 X 80 X 35	4	
23	384980	(002000–003122)	Mixer, W/70deg Ftg	1	
24	372510	(002000–005999)	Fitting, E90	1	
25	1028722	(002000–003122)	Module, Ecu, Lpg [Gm1.6l 2700]	1	
25	1056233	(003123–005999)	Module, Ecu, Lpg [Gm1.6l 2010]	1	
26	1029082	(002000–003170)	Bracket, Mtg, Ecu	1	
27	06946	(002000–005999)	Screw, Hex, M6 X 1.00 X 35, 8.8	4	
28	06942	(002000–003170)	Screw, Hex, M6 X 1.00 X 16, 8.8	2	
29	32483	(002000–003170)	Washer, Flat, 0.25, Sae	2	
▽	30	9006618	(003123–005999)	Mixer , Lpg	1
▲		9010634	(003123–005999)	Repair Kit, Mixer	1
	31	9007424	(003123–005999)	Stud, M05–0.8	4
	32	9007423	(003123–005999)	Nut, Flng, M05–0.8	4
	33	1055170	(003123–005999)	Fitting, Fuel [Mixer E100Lp 2010]	1

Fig. 17 - GM Engine Vaporizer Group, LPG (002000-003122)

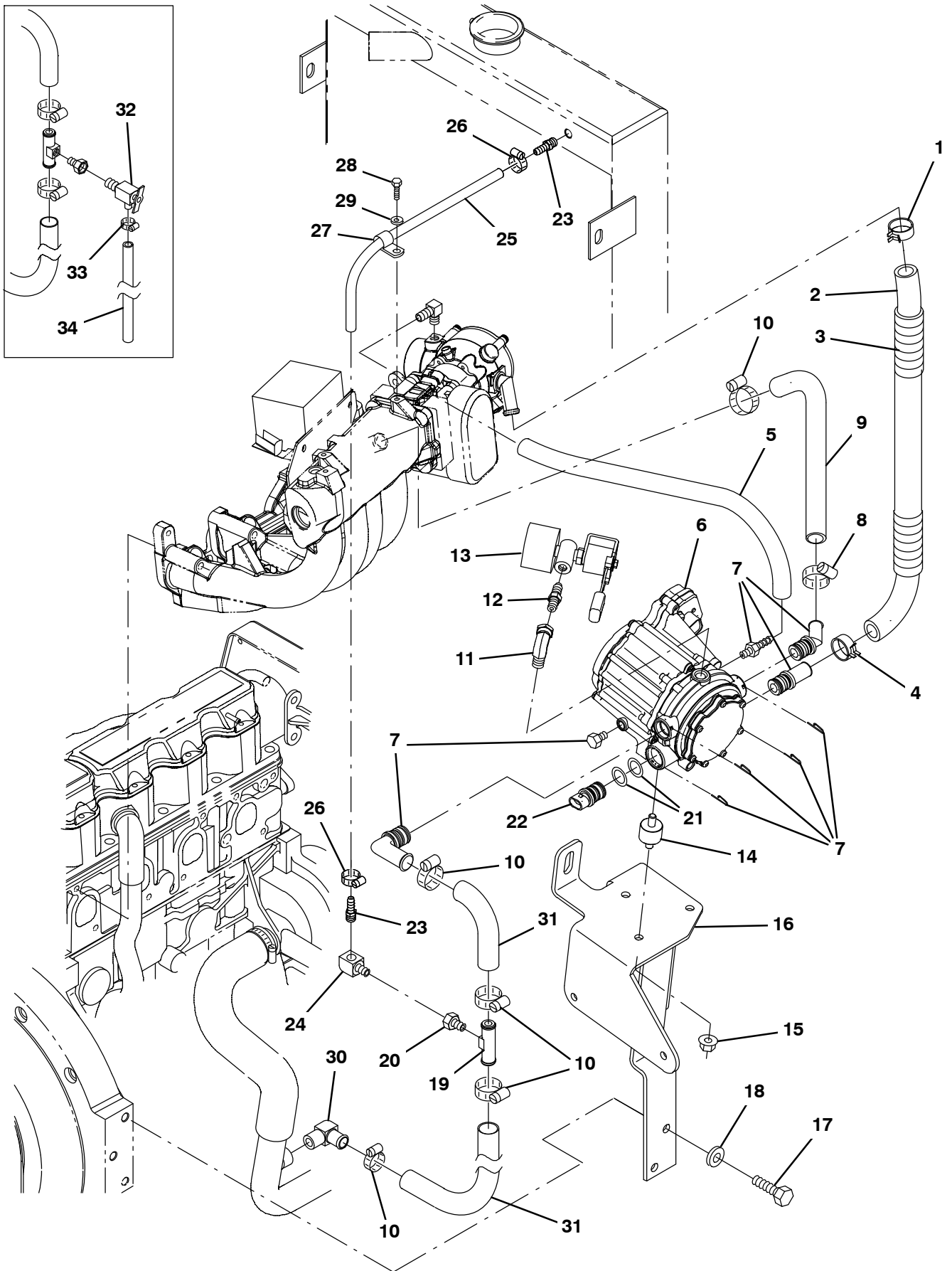


Fig. 17 – GM Engine Vaporizer Group, LPG (002000–003122)

Ref.	Part No.	Serial Number	Description	Qty.	
1	384970	(002000–003122)	Clamp, Hose, Spring, 0.75d	1	
2	384983	(002000–003122)	Hose [Mixer To Epr]	1	
3	384971	(002000–003122)	Cover, Hose	1	
4	384979	(002000–003122)	Clamp, Hose, Spring, 0.62d	1	
5	384973	(002000–003122)	Hose, Supply, Gas, .25id	1	
6	384977	(002000–003122)	Regulator [Ep]	1	
7	384978	(002000–003122)	Fitting Kit [Epr]	1	
8	372539	(002000–003122)	Clamp, Hose, 1.0	1	
9	384984	(002000–003122)	Hose [Epr To Manifold]	1	
10	63810	(002000–003122)	Clamp, Hose, Wormdrive, 0.56–1.06d, .56w	5	
11	11442–1	(002000–003122)	Fitting, Hyd, E90, Spcl	1	
12	372529	(002000–003122)	Fitting, Nipple, .25mal	1	
▽	13	384975	(002000–003122)	Valve, Lock Off	1
▲		372615	(002000–003122)	Filter Kit, Fuelock, Lpg	1
14	384986	(002000–003122)	Isolator [Epr]	3	
15	07791	(002000–003122)	Nut, Hex, Flng, M8 X 1.25	3	
16	1028343	(002000–003122)	Bracket Wldt, Mtg, Regulator, Lpg	1	
17	371770	(002000–003122)	Screw	2	
18	371877	(002000–003122)	Washer, Flat, 0.38, Hardened	2	
19	83578	(002000–003122)	Tube, Bleed, Air, .62od 2.2l .12npt, Alm	1	
20	1015930	(002000–003122)	Fitting, Brs, Str, Pf04/Pm02	1	
21	1041151	(002000–003122)	Seal, Org, Sensor, Temp [Epr]	2	
22	1041152	(002000–003122)	Sensor, Temp [Epr]	1	
23	150516	(002493–003122)	Fitting, Brs, Str, Bm06/Pm05	2	
24	27048	(002493–003122)	Fitting, Brs, E90, Pf04/Pm04	1	
25	1043481	(002493–003122)	Hose, Heater, 0.38id	1	
26	54333	(002493–003122)	Clamp, Hose, Wormdrive, 0.31–0.88d, .31w	2	
27	67767	(002493–003122)	Clamp, Cable, Stl, 0.69d X 0.62w, 1hole	1	
28	06942	(002493–003122)	Screw, Hex, M6 X 1.00 X 16, 8.8	1	
29	32490	(002493–003122)	Washer, Flat, 0.25, Std	1	
30	51839	(002000–003122)	Fitting, Brs, E90, Em10/Pm06	1	
31	372528	(002000–003122)	Hose, Mold, .62 To .75 (Cut in 2)	1	
32	51305	(002000–002492)	Fitting, Draincock, E90, .25npt	1	
33	43844	(002000–002492)	Clamp, Hose, Wormdrive, 0.25–0.62d, .31w	1	
34	73471	(002000–002492)	Hose, Pvc, Clr, 0.38id 0.56od 022.0l	1	

STANDARD PARTS

Fig. 18 – GM Engine Vaporizer Group, LPG (003123–005999)

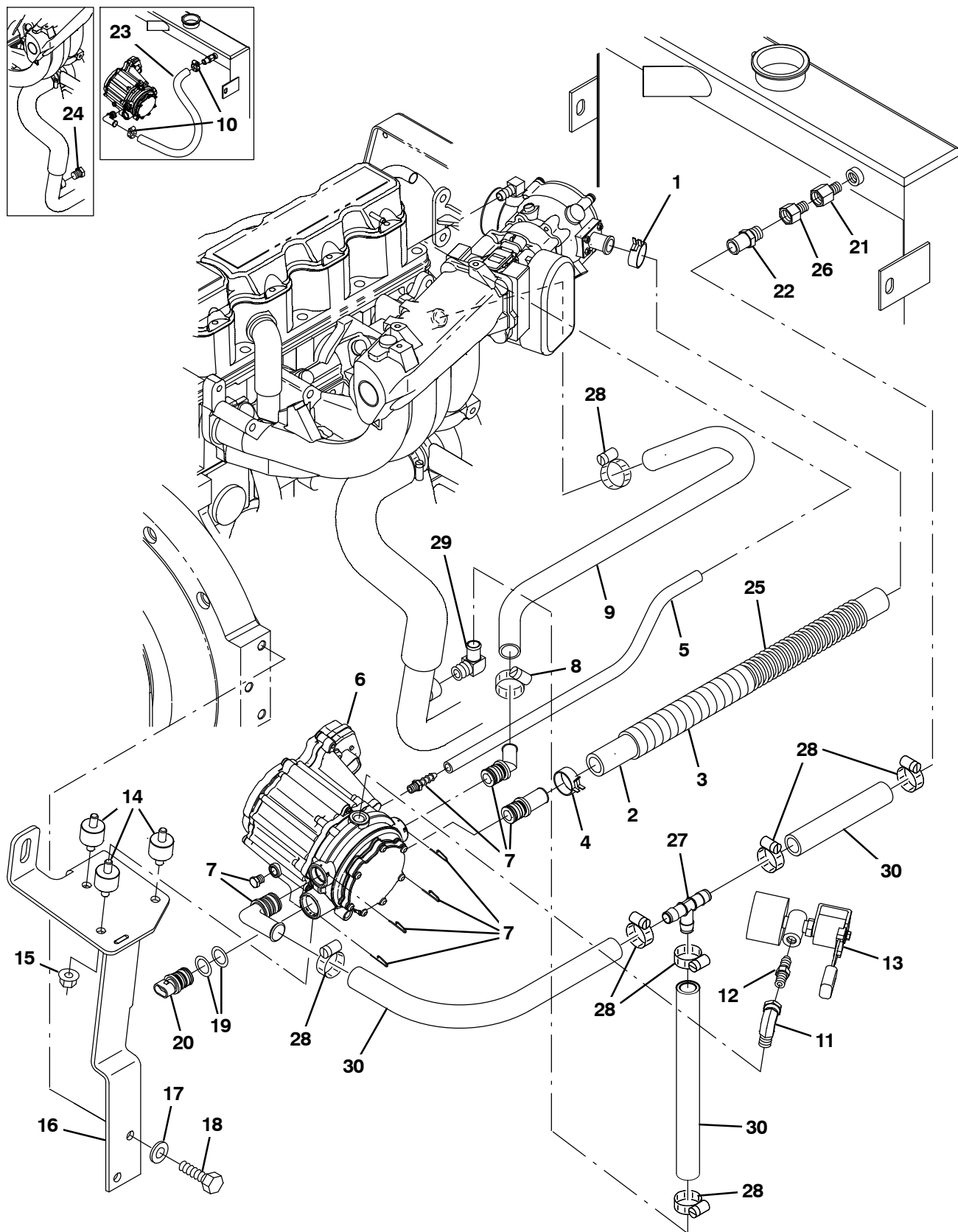


Fig. 18 – GM Engine Vaporizer Group, LPG (003123–005999)

Ref.	Part No.	Serial Number	Description	Qty.	
1	384970	(003123–005999)	Clamp, Hose, Spring, 0.75d	1	
2	9007552	(003123–005999)	Hose, Fuel [Mixer To Epr, 22.5”L]	1	
3	384971	(003123–005999)	Cover, Hose	1	
4	384979	(003123–005999)	Clamp, Hose, Spring, 0.62d	1	
5	384973	(003123–005999)	Hose, Supply, Gas, .25id	1	
6	384977	(003123–005999)	Regulator [Ep]	1	
7	384978	(003123–005999)	Fitting Kit [Epr]	1	
8	372539	(003123–005999)	Clamp, Hose, 1.0	1	
9	384984	(003123–005999)	Hose [Epr To Manifold]	1	
10	63810	(003123–003268)	Clamp, Hose, Wormdrive, 0.56–1.06d, .56w	3	
11	11442–1	(003123–005999)	Fitting, Hyd, E90, Spcl	1	
12	372529	(003123–005999)	Fitting, Nipple, .25mal	1	
▽	13	9006620	(003123–005999)	Valve, Lock Off [Gm 1.6L 2010]	1
▲	9007380	(003123–005999)	Filter Kit, Fuelock, Lpg	1	
14	384986	(003123–005999)	Isolator [Epr]	3	
15	07791	(003123–005999)	Nut, Hex, Flng, M8 X 1.25	3	
16	1056300	(003123–005999)	Bracket Wldt, Mtg, Reg, Lpg[Gm 2010]	1	
17	371770	(003123–005999)	Screw	2	
18	371877	(003123–005999)	Washer, Flat, 0.38, Hardened	2	
19	1041151	(003123–005999)	Seal, Org, Sensor, Temp [Epr]	2	
20	1041152	(003123–005999)	Sensor, Temp [Epr]	1	
21	1042772	(003123–005999)	Fitting, Brs, Str, Pf06/Pm04	2	
22	27767	(003123–005999)	Fitting, Brs, Str, Em10/Pm06	1	
23	13048	(003123–003268)	Hose, Heater, 0.62id, 038.0l	1	
24	762282	(003123–003268)	Fitting, Hyd, Plug, Pm06	1	
25	9007553	(003123–005999)	Spring, 3/4 X 16 [Gm1.6L 2010 Lpg]	1	
26	1015547	(003123–005999)	Fitting, Adapter, Orifice, Pf06/Pm06	1	
27	1062116	(003269–005999)	Fitting, Plstc, Tee, Bm10/Bm10/Bm10	1	
28	63810	(003269–005999)	Clamp, Hose, Wormdrive, 0.56–1.06d, .56w	7	
29	51839	(003269–005999)	Fitting, Brs, E90, Em10/Pm06	1	
30	1016561	(003269–005999)	Hose, Afmkt, Rbr, Heater, 0.62id, 08ft	1	

Fig. 19 - GM Engine Air Cleaner Group, Gasoline (000000-001999)

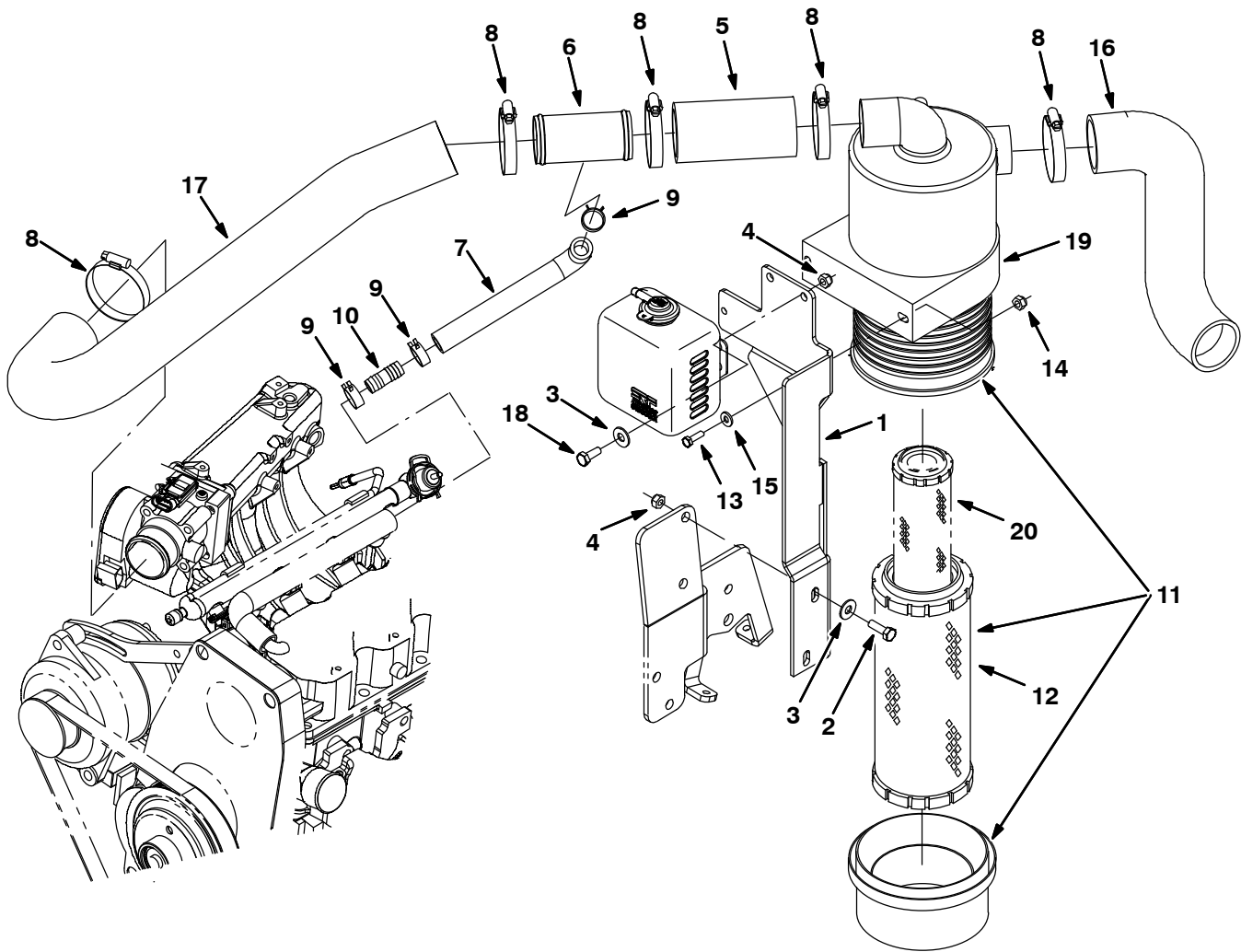


Fig. 19 – GM Engine Air Cleaner Group, Gasoline (000000–001999)

Ref.	Part No.	Serial Number	Description	Qty.	
1	1027856	(000000–001999)	Bracket, Mtg, Fltr, Air	1	
2	39277	(000000–001999)	Screw, Hex, M8 X 1.25 X 25, 8.8	2	
3	32491	(000000–001999)	Washer, Flat, 0.31, Std	4	
4	08709	(000000–001999)	Nut, Hex, Lock, M8 X 1.25, NI	4	
5	15543-2	(000000–001999)	Hose, Rbr, 2.00id 2.50od 05.0l	1	
6	1011780	(000000–001999)	Tube Wldt, Tee	1	
7	1021514	(000000–001999)	Hose, Heater, E90, 0.62id 07.0 2.0	1	
8	14432	(000000–001999)	Clamp, Hose, Wormdrive, 1.81–2.75d, .50w	5	
9	1011899	(000000–001999)	Clamp, Hose, Spring Stl, 0.86d X 0.38w	3	
10	365164	(000000–001999)	Fitting, Plstc, Str, Bm10/Bm10	1	
▽	11	369745	(000000–001999)	Filter Assy, Air	1
▲	12	369746	(000000–001999)	Element, Fltr, Air [Dn]	1
	13	06943	(000000–001999)	Screw, Hex, M6 X 1.0 X 20, 8.8	2
	14	08708	(000000–001999)	Nut, Hex, Lock, M6 X 1.0, NI	2
	15	32483	(000000–001999)	Washer, Flat, 0.25 Sae	2
	16	1020949	(000000–001999)	Hose, Intake, Mold, 2.00id [Epdm]	1
	17	1017978	(000000–001999)	Hose, Intake, Mold, 2.00id, Gas [Epdm]	1
	18	16931	(000000–001999)	Screw, Hex, M8 X 1.25 X 20, 8.8	2
	19	369747	(000000–001999)	Clamp, Mtg, Fltr, Air	1
	20	398279	(000000–001999)	Element, Fltr, Air, Safety (OPTION)	1

Fig. 20 - GM Engine Air Cleaner Group, Gasoline (002000-005999)

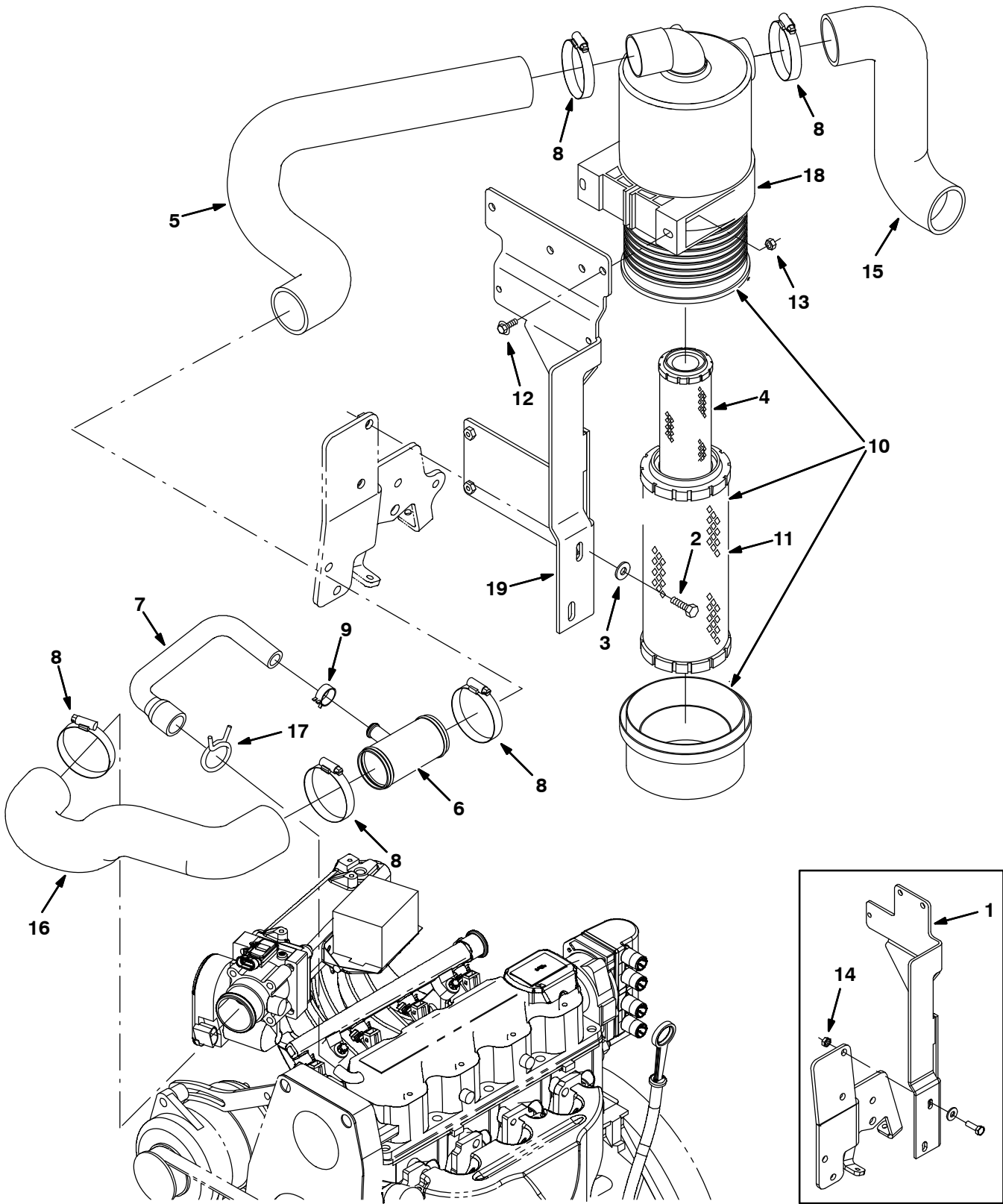


Fig. 20 – GM Engine Air Cleaner Group, Gasoline (002000– 005999)

Ref.	Part No.	Serial Number	Description	Qty.	
1	1027856	(002000–003122)	Bracket, Mtg, Fltr, Air	1	
2	39277	(002000–005999)	Screw, Hex, M8 X 1.25 X 25, 8.8	2	
3	32491	(002000–005999)	Washer, Flat, 0.31, Std	2	
4	398279	(002000–005999)	Element, Fltr, Air, Safety (OPTION)	1	
5	1031614	(002000–005999)	Hose, Intake, Mold, 2.0id [Epdm M20/T20]	1	
6	1011780	(002000–005999)	Tube Wldt, Tee	1	
7	1032323	(002000–005999)	Hose, Vent, E90, 0.62id[Gm1.6l 2007]	1	
8	14432	(002000–005999)	Clamp, Hose, Wormdrive, 1.81–2.75d, .50w	5	
9	1011899	(002000–005999)	Clamp, Hose, Spring Stl, 0.86d X 0.38w	1	
▽	10	369745	(002000–005999)	Filter Assy, Air	1
▲	11	369746	(002000–005999)	Element, Fltr, Air [Dn]	1
	12	1036892	(002000–005999)	Screw, Hex, M6 X 1.00 X 25, 9.8 Sems	2
	13	08708	(002000–005999)	Nut, Hex, Lock, M6 X 1.00, NI	2
	14	08709	(002000–007328)	Nut, Hex, Lock, M8 X 1.25, NI	2
	15	1020949	(002000–005999)	Hose, Intake, Mold, 2.00id [Epdm]	1
	16	1031609	(002000–005999)	Hose, Intake, Mold, 2.0id, Gas	1
	17	371854	(002000–005999)	Clamp, Spring, 1.50	1
	18	369747	(002000–005999)	Clamp, Mtg, Fltr, Air	1
	19	1056355	(003123–005999)	Bracket, Mtg, Fltr, Air	1

Fig. 21 - GM Engine Air Cleaner Group, LPG (000000-001999)

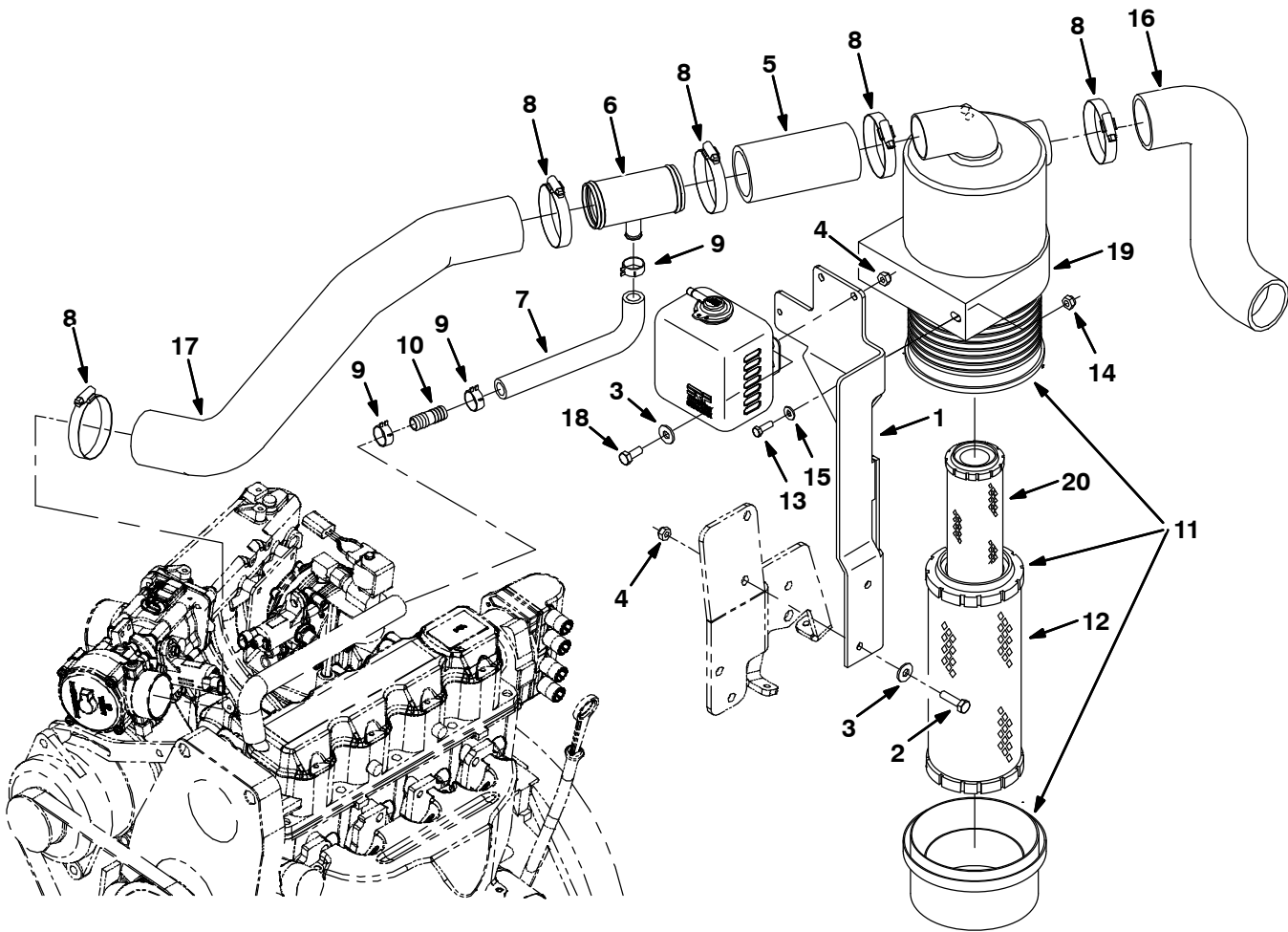


Fig. 21 – GM Engine Air Cleaner Group, LPG (000000–001999)

Ref.	Part No.	Serial Number	Description	Qty.	
1	1027856	(000000–001999)	Bracket, Mtg, Fltr, Air	1	
2	39277	(000000–001999)	Screw, Hex, M8 X 1.25 X 25, 8.8	2	
3	32491	(000000–001999)	Washer, Flat, 0.31, Std	4	
4	08709	(000000–001999)	Nut, Hex, Lock, M8 X 1.25, NI	4	
5	15543-2	(000000–001999)	Hose, Rbr, 2.00id 2.50od 05.0l	1	
6	1011780	(000000–001999)	Tube Wldt, Tee	1	
7	1021514	(000000–001999)	Hose, Heater, E90, 0.62id 07.0 2.0	1	
8	14432	(000000–001999)	Clamp, Hose, Wormdrive, 1.81–2.75d, .50w	5	
9	1011899	(000000–001999)	Clamp, Hose, Spring Stl, 0.86d X 0.38w	3	
10	365164	(000000–001999)	Fitting, Plstc, Str, Bm10/Bm10	1	
▽	11	369745	(000000–001999)	Filter Assy, Air	1
▲	12	369746	(000000–001999)	Element, Fltr, Air [Dn]	1
	13	06943	(000000–001999)	Screw, Hex, M6 X 1.0 X 20, 8.8	2
	14	08708	(000000–001999)	Nut, Hex, Lock, M6 X 1.0, NI	2
	15	32483	(000000–001999)	Washer, Flat, 0.25 Sae	2
	16	1020949	(000000–001999)	Hose, Intake, Mold, 2.00id [Epdm]	1
	17	1017987	(000000–001999)	Hose, Intake, Mold, 2.00id, Lpg [Epdm]	1
	18	16931	(000000–001999)	Screw, Hex, M8 X 1.25 X 20, 8.8	2
	19	369747	(000000–001999)	Clamp, Mtg, Fltr, Air	1
	20	398279	(000000–001999)	Element, Fltr, Air, Safety (OPTION)	1

Fig. 22 – GM Engine Air Cleaner Group, LPG (002000–005999)

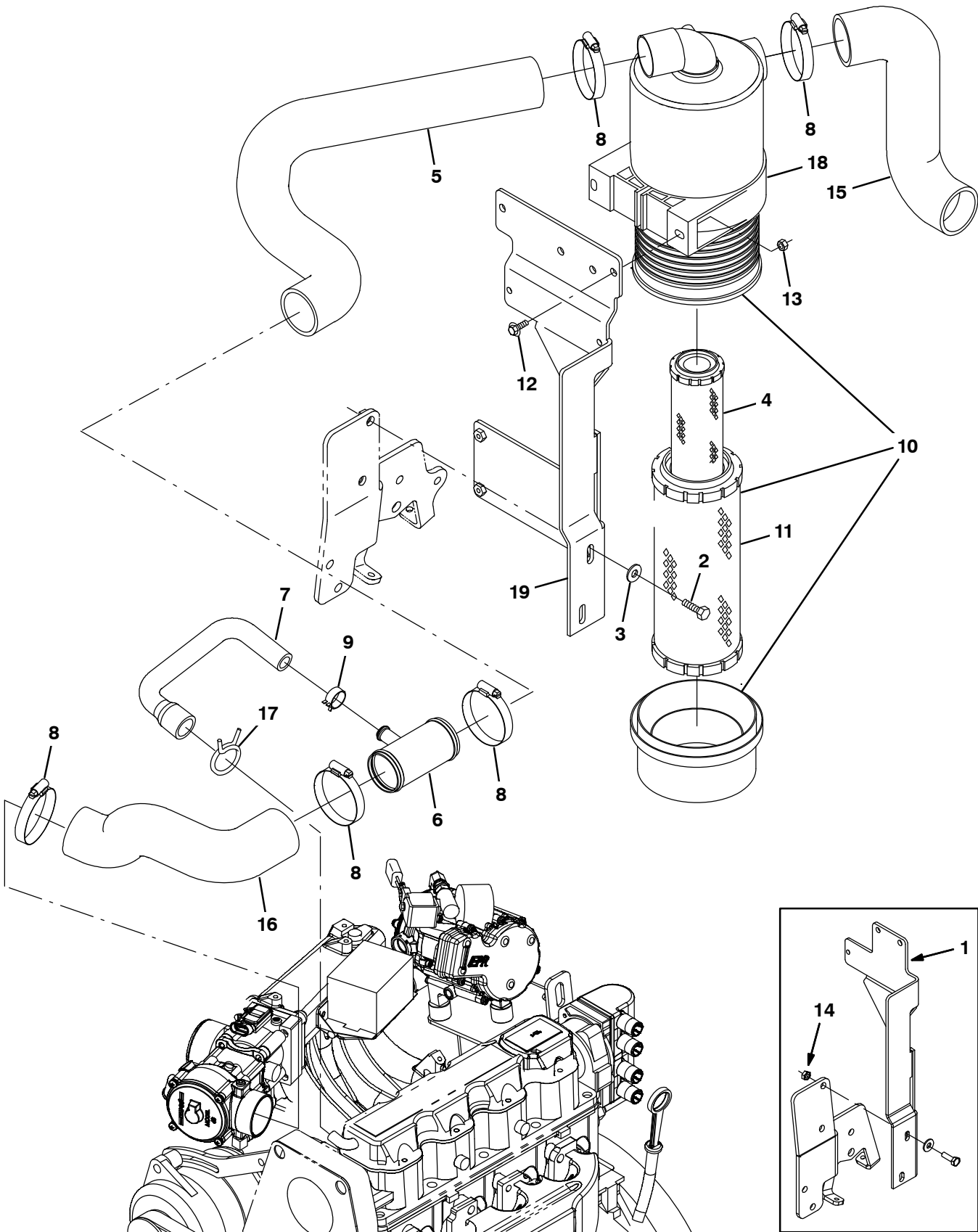


Fig. 22 – GM Engine Air Cleaner Group, LPG (002000–005999)

Ref.	Part No.	Serial Number	Description	Qty.	
1	1027856	(002000–003122)	Bracket, Mtg, Fltr, Air	1	
2	39277	(002000–005999)	Screw, Hex, M8 X 1.25 X 25, 8.8	2	
3	32491	(002000–005999)	Washer, Flat, 0.31, Std	2	
4	398279	(002000–005999)	Element, Fltr, Air, Safety (OPTION)	1	
5	1031614	(002000–005999)	Hose, Intake, Mold, 2.0id [Epdm M20/T20]	1	
6	1011780	(002000–005999)	Tube Wldt, Tee	1	
7	1032323	(002000–005999)	Hose, Vent, E90, 0.62id[Gm1.6l 2007]	1	
8	14432	(002000–005999)	Clamp, Hose, Wormdrive, 1.81–2.75d, .50w	5	
9	1011899	(002000–005999)	Clamp, Hose, Spring Stl, 0.86d X 0.38w	1	
▽	10	369745	(002000–005999)	Filter Assy, Air	1
▲	11	369746	(002000–005999)	Element, Fltr, Air [Dn]	1
	12	1036892	(002000–005999)	Screw, Hex, M6 X 1.00 X 25, 9.8 Sems	2
	13	08708	(002000–005999)	Nut, Hex, Lock, M6 X 1.00, NI	2
	14	08709	(002000–007328)	Nut, Hex, Lock, M8 X 1.25, NI	2
	15	1020949	(002000–005999)	Hose, Intake, Mold, 2.00id [Epdm]	1
	16	1031553	(002000–003122)	Hose, Intake, Mold, 2.0id, Lpg	1
	16	1054558	(003123–005999)	Hose, Intake, Mold, 2.0id, Lpg [Gm 2010]	1
	17	371854	(002000–005999)	Clamp, Spring, 1.50	1
	18	369747	(002000–005999)	Clamp, Mtg, Fltr, Air	1
	19	1056355	(003123–005999)	Bracket, Mtg, Fltr, Air	1

STANDARD PARTS

Fig. 23 - GM Engine Alternator and Fan Group (000000-005999)

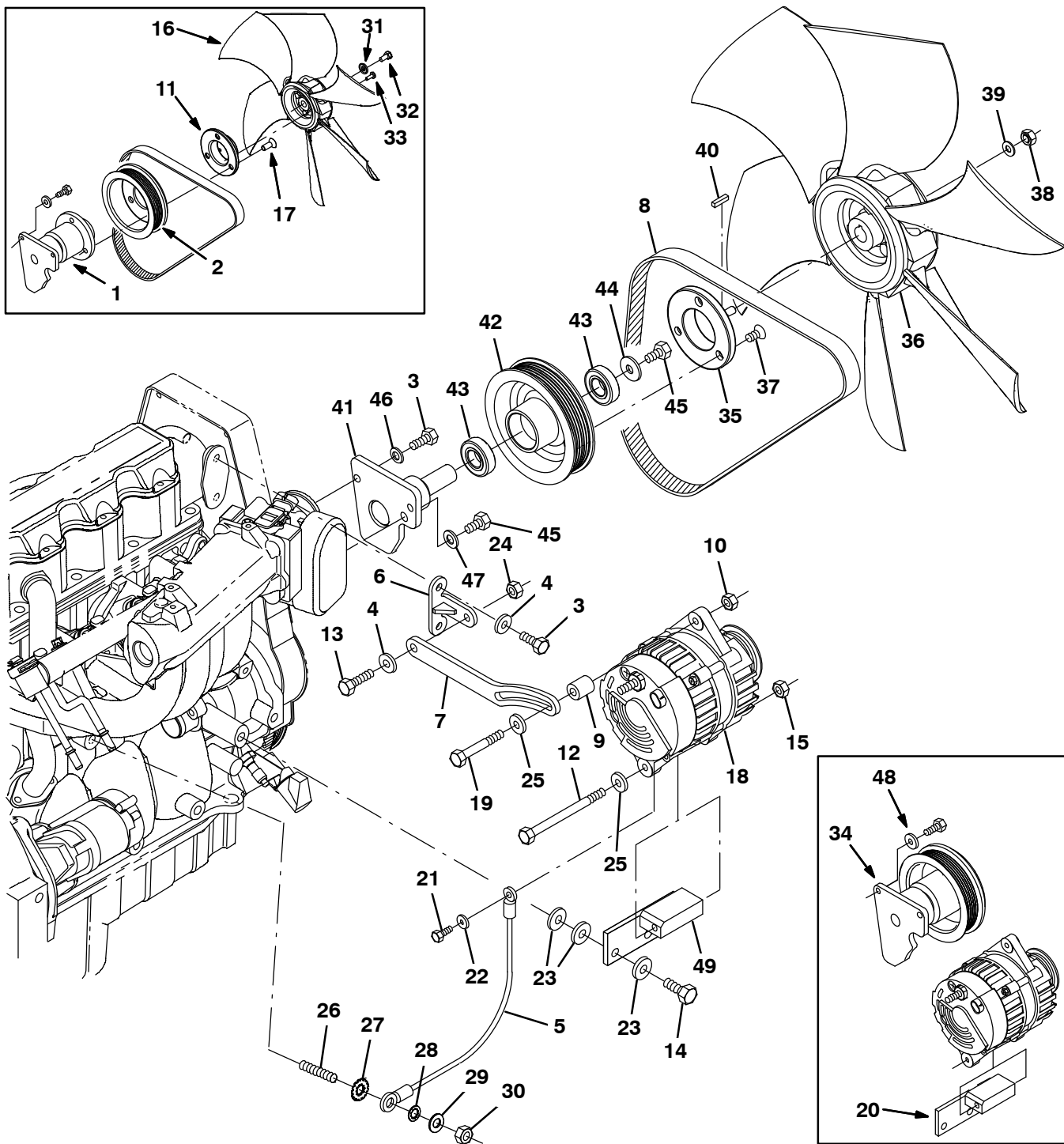


Fig. 23 – GM Engine Alternator and Fan Group (000000–005999)

Ref.	Part No.	Serial Number	Description	Qty.
1	371863	(000000–001999)	Base Assy, Fan, W/O Pulley	1
2	1033428	(000000–001999)	Sheave, 5.00dia [Gm1.6l 2007]	1
3	16931	(000000–005999)	Screw, Hex, M8 X 1.25 X 20, 8.8	4
4	371865	(000000–005999)	Washer, Flat, 0.31, Hardened	5
5	31525	(000000–005999)	Wire, 10ga 16.0l Blk .25ring /.38ring	1
6	371871	(000000–005999)	Bracket, Anchor, Strap, Alternator	1
7	371872	(000000–005999)	Strap, Adj, Alternator	1
8	1033644	(000000–005999)	Belt, Ribbed, 38.5l	1
9	372557	(000000–005999)	Spacer, Strap, Adj, Alternator	1
10	39311	(000000–005999)	Nut, Hex, Std, M8 X 1.25	1
11	1032242	(000000–001999)	Spacer, Fan	1
12	39785	(000000–005999)	Screw, Hex, .31–18 X 4.50, 5	1
13	76958	(000000–005999)	Screw, Hex, .31–18 X 1.75, 5	1
14	06961	(000000–005999)	Screw, Hex, M10 X 1.5 X 20, 8.8	2
15	32983	(000000–005999)	Nut, Hex, Lock, .31–18, NI	1
16	1035031	(000000–001999)	Fan, Cooling, Pusher, 15.5D [2007]	1
17	48998	(000000–001999)	Screw, Flt, .38–16 X 1.00, Al	3
18	393209	(000000–005999)	Alternator, 12vdc 075a [Multi Grv]	1
19	363976	(000000–005999)	Screw, Hex, M8 X 1.25 X 60, 8.8, FI	1
20	9006917	(000000–003122)	Bracket Kit, Alternator, Repair	1
21	42011	(000000–005999)	Screw, Hex, #10–24 X 0.50, Ss	1
22	19066	(000000–005999)	Washer, Flat, #10	1
23	32485	(000000–005999)	Washer, Flat, 0.38 Sae	4
24	19313	(000000–005999)	Nut, Hex, Std, .31–18	1
25	39349	(000000–005999)	Washer, Flat, 0.31 Sae	2
26	384442	(000000–005999)	Stud, M10 X 1.50 [35]	1
27	32988	(000000–005999)	Washer, Lock, Int, 0.38	1
28	41142	(000000–005999)	Washer, Lock, Int–Ext, 0.38	1
29	32485	(000000–005999)	Washer, Flat, 0.38 Sae	1
30	32716	(000000–005999)	Nut, Hex, Jam, M10 X 1.5, Ss	1
31	41186	(000000–001999)	Washer, Flat, Belleville, .31	1
32	16735	(000000–001999)	Screw, Hex, M8 X 1.25 X 16, 8.8	1
33	09145	(000000–001999)	Screw, Pan, M6 X 1.00 X 16, 4.8	3
34	9007088	(002000–003122)	Sheave Assy Kit, Repair	1
35	1035530	(002000–005999)	Spacer, Fan, Taper [2007]	1
36	1035771	(002000–003038)	Fan, Cooling, 15.5d, 6 Blade, .5b Taper	1
36	1046237	(003039–005999)	Fan, Cooling, 16.0d, 6 Blade	1
37	48996	(002000–005999)	Screw, Flt, .38–16 X 0.75, Al	3
38	08709	(002000–005999)	Nut, Hex, Lock, M8 X 1.25, NI	1
39	32491	(002000–005999)	Washer, Flat, 0.31, Std	1
40	00960	(002000–005999)	Key, Sq, 0.12 X 0.12, 0.50l	1
41	1055381	(003123–005999)	Plate Wldt, Fan, Hub [Gm 1.6l]	1
42	1055425	(003123–005999)	Sheave, Mach [Gm1.6l]	1
43	1055377	(003123–005999)	Bearing, Ball, 20mm B 42mm D 12mm W	2
44	1014563	(003123–005999)	Washer, Flat, 0.40b 1.12d .12, Ss	1
45	21195	(003123–005999)	Screw, Hex, .38–16 X 0.75, G5	2
46	39349	(003123–005999)	Washer, Flat, 0.31, Sae	2
47	32485	(003123–005999)	Washer, Flat, 0.38, Sae	1
48	371865	(000000–003122)	Washer, Flat, 0.31, Hardened	2
49	1008640	(003123–005999)	Bracket Wldt, Alternator, Lower [Gm1.6l]	1

Fig. 24 - GM Engine Muffler Group (000000-001999)

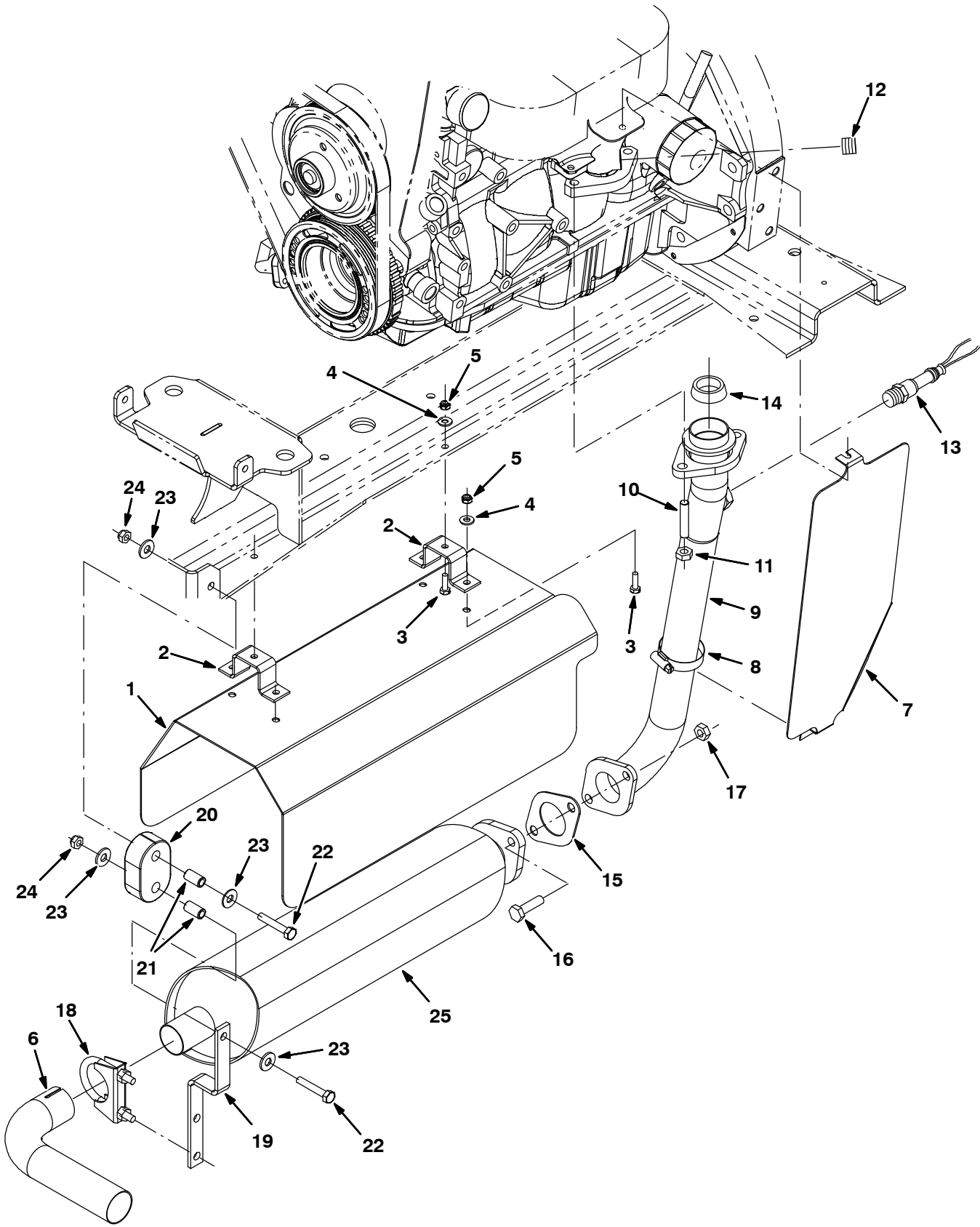


Fig. 24 – GM Engine Muffler Group (000000–001999)

Ref.	Part No.	Serial Number	Description	Qty.
1	1020602	(000000–001999)	Channel, Shield, Muffler	1
2	1022113	(000000–001999)	Bracket, Retainer, Shield, Heat	2
3	08716	(000000–001999)	Screw, Hex, M6 X 1.0 X 20, Ss	6
4	32483	(000000–001999)	Washer, Flat, 0.25 Sae	6
5	08712	(000000–001999)	Nut, Hex, Lock, M6 X 1.0, Ss, NI	6
6	1021789	(000000–001999)	Tube, Exhaust, 1.5d	1
7	9002394	(000000–001999)	Plate, Shield, Heat, Gas/Lpg, Replmt	1
8	79381	(000000–001999)	Clamp, Hose, Wormdrive, 1.25–2.00D, .50W	1
9	1018142	(000000–001999)	Tube Wldt, Exhaust, Gas/Lpg	1
10	384442	(000000–001999)	Stud, M10 X 1.50 [35]	2
11	08166	(000000–001999)	Nut, Hex, M10 X 1.50 [Stover]	2
12	371860	(000000–001999)	Fitting, Pipe, Plug, Metric, M18,Soc	1
13	372491	(000000–001999)	Sensor, Oxygen	1
14	371861	(000000–001999)	Gasket, Flng, Pipe, Exhaust	1
15	1011216	(000000–001999)	Gasket, Exhaust, 2hole, 3.4bc	1
16	39284	(000000–001999)	Screw, Hex, M10 X 1.5 X 35, 8.8	2
17	08166	(000000–001999)	Nut, Hex, M10 X 1.5 [Stover]	2
18	24012	(000000–001999)	Clamp, Muffler, 1.62d	1
19	1017969	(000000–001999)	Bracket, Muffler, Hanger, Front	1
20	1013031	(000000–001999)	Isolator, Rbr	1
21	222496	(000000–001999)	Sleeve, P/M, 0.31b 0.50d 0.9l [430ss]	2
22	222505	(000000–001999)	Screw, Hex, M8 X 1.25 X 45, Ss	2
23	01685	(000000–001999)	Washer, Flat, 0.31, Ss	4
24	08713	(000000–001999)	Nut, Hex, Lock, M8 X 1.25, NI, Ss	2
25	1022794	(000000–001999)	Muffler, Short [Non–Catalytic Gm1.6/3.0]	1
25	1016624	(000000–001999)	Muffler, Catalytic [Gm 1.6]	1

Fig. 25 - GM Engine Muffler Group (002000-005999)

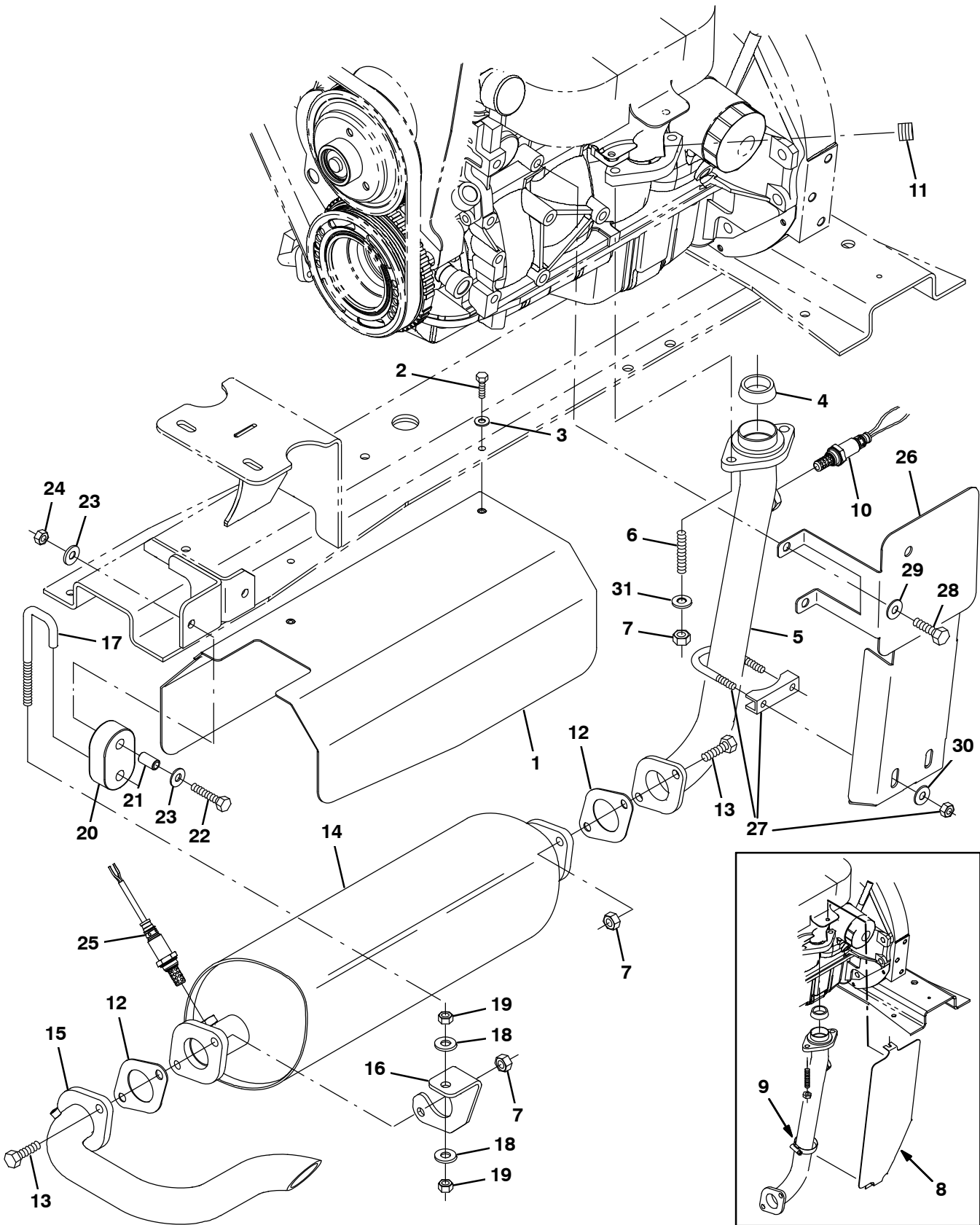


Fig. 25 – GM Engine Muffler Group (002000–005999)

Ref.	Part No.	Serial Number	Description	Qty.
1	1028994	(002000–005999)	Channel, Shield, Muffler [M20/T20 2007]	1
2	08716	(002000–005999)	Screw, Hex, M6 X 1.0 X 20, Ss	2
3	32483	(002000–005999)	Washer, Flat, 0.25, Sae	2
4	371861	(002000–005999)	Gasket, Flng, Pipe, Exhaust	1
5	9012597	(002000–005999)	Pipe Kit, Exhaust, Replmt [M20.T20, M30]	1
6	384442	(002000–005999)	Stud, M10 X 1.50 [35]	2
7	08166	(002000–005999)	Nut, Hex, M10 X 1.50 [Stover]	6
8	9002394	(002000–002395)	Plate, Shield, Heat, Gas/Lpg, Replmt	1
9	79381	(002000–002395)	Clamp, Hose, Wormdrive, 1.25–2.00D, .50W	1
10	1028559	(002000–003122)	Sensor, Oxygen [Gm 1.6L/3.0L 2007]	1
10	1028558	(003123–005999)	Sensor, Exhaust, Tailpipe	1
11	371860	(002000–005999)	Fitting, Pipe, Plug, Metric, M18,Soc	1
12	1011216	(002000–005999)	Gasket, Exhaust, 2hole, 3.4bc	2
13	39284	(002000–005999)	Screw, Hex, M10 X 1.5 X 35, 8.8	4
14	1028136	(002000–003122)	Muffler, Catalytic [Gm 1.6l 2007]	1
14	1056241	(003123–005999)	Muffler, Catalytic [Gm 1.6l 2010]	1
15	1028753	(002000–005999)	Tube, Exhaust, Flng, 1.5d [M20/T20 2007]	1
16	1028929	(002000–005999)	Bracket, Mtg, Muffler [M20/T20 2007]	1
17	1013117	(002000–005999)	Rod, Hanger, Isolator	1
18	32492	(002000–005999)	Washer, Flat, 0.38, Std	2
19	25014	(002000–005999)	Nut, Hex, Std, .38–16	2
20	1013031	(002000–005999)	Isolator, Rbr	1
21	222496	(002000–005999)	Sleeve, P/M, 0.31b 0.50d 0.9l [430ss]	1
22	222505	(002000–005999)	Screw, Hex, M8 X 1.25 X 45, Ss	1
23	01685	(002000–005999)	Washer, Flat, 0.38b 0.88d .08, Ss	2
24	08713	(002000–005999)	Nut, Hex, Lock, M8 X 1.25, NI, Ss	1
25	1028558	(002000–005999)	Sensor, Exhaust, Tailpipe	1
26	9003832	(002396–005999)	Shield, Heat, Gas/Lpg, Replmt	1
26	9004983	(002396–005999)	Shield, Heat, Gas/Lpg, Replmt (Japan Only)	1
27	24012	(002396–005999)	Clamp, Muffler, 1.62d	1
28	06961	(002396–005999)	Screw, Hex, M10 X 1.50 X 20, 8.8	2
29	32485	(002396–005999)	Washer, Flat, 0.38, Sae	2
30	32491	(002396–005999)	Washer, Flat, 0.31, Std	2
31	41187	(002000–005999)	Washer, Flat, Belleville, .38	2

Fig. 26 - GM Engine Radiator Group (00000-003038)

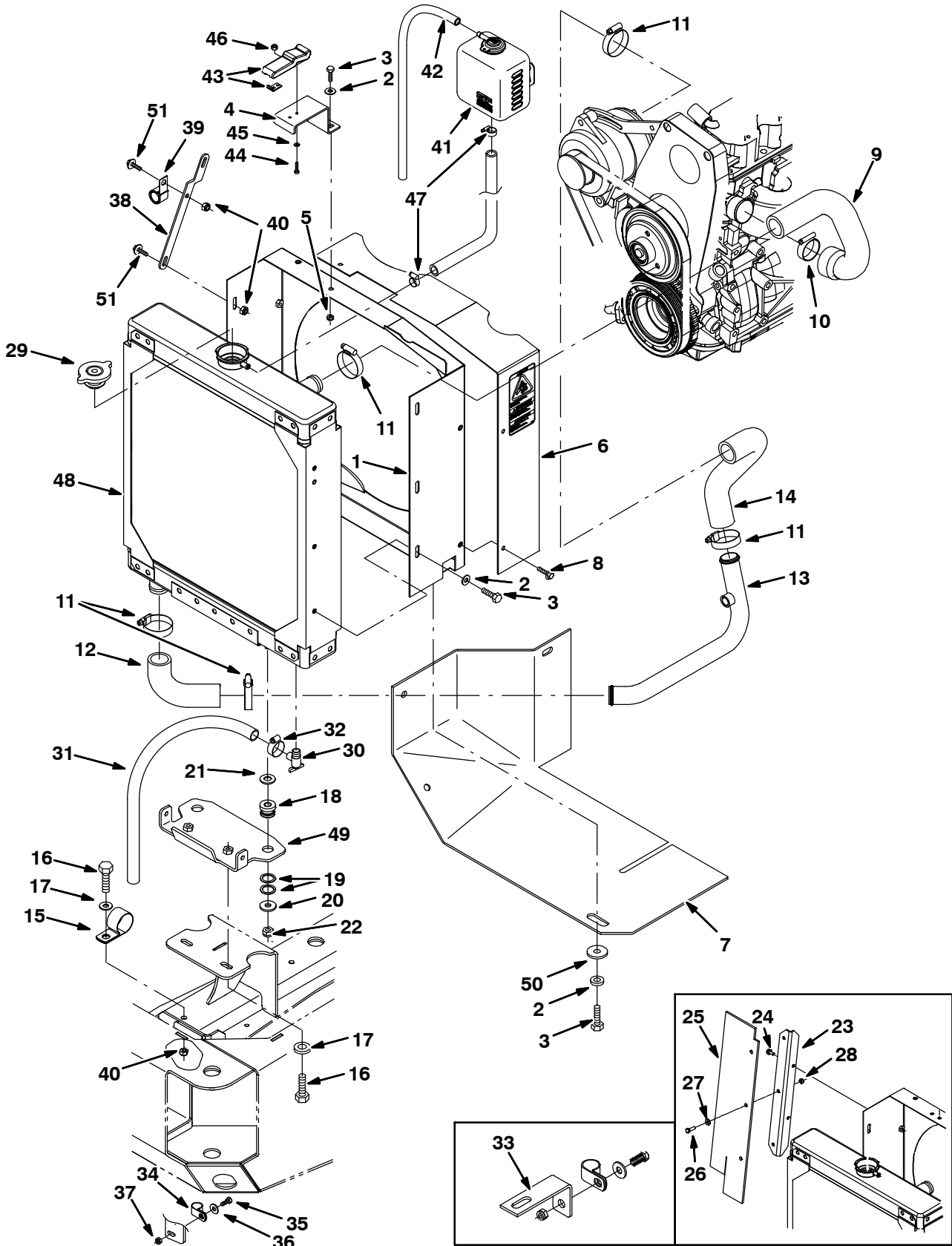


Fig. 26 – GM Engine Radiator Group (000000–003038)

Ref.	Part No.	Serial Number	Description	Qty.
1	1038499	(000000–003038)	Panel Wldt, Shrd, Fan	1
2	32490	(000000–003038)	Washer, Flat, 0.25 Std	9
3	06942	(000000–003038)	Screw, Hex, M6 X 1.0 X 16, 8.8	13
4	1018463	(000000–003038)	Bracket, Mtg, Latch	1
5	08708	(000000–003038)	Nut, Hex, Lock, M6 X 1.0, NI	5
6	9003997	(000000–003038)	Plate, Guard, Fan Shrd, Gas/Lpg, Replmt	1
7	1035222	(000000–003038)	Skirt, Debris, Eng Radiator	1
8	74455	(000000–003038)	Screw, Hex, M6 X 1.0 X 12, Fmg	3
9	1011799	(000000–003038)	Hose, Radiator, Upper, Mold	1
10	22297	(000000–003038)	Clamp, Hose, Wormdrive, 1.56–2.50d, .50w	1
11	79381	(000000–003038)	Clamp, Hose, Wormdrive, 1.25–2.00D, .50W	7
12	1007482	(000000–003038)	Hose, Rbr, E90 1.25id 1.25id 04.2 03.1	1
13	1019273	(000000–003038)	Tube, Coolant, Lower, 1.3d	1
14	1019265	(000000–003038)	Hose, Radiator, Lower, Mold	1
15	53466	(000000–003038)	Clamp, Cable, Stl, 1.50d X 1.00w, 1h	1
16	39277	(000000–003038)	Screw, Hex, M8 X 1.25 X 25, 8.8	3
17	32491	(000000–003038)	Washer, Flat, 0.31, Std	3
18	54274	(000000–003038)	Isolator, Vib, Bshg, 1.1d 0.6l .4b 0.78h	2
19	09832	(000000–003038)	Washer, Flat, 0.81b 1.06d .06, Stl	4
20	1014563	(000000–003038)	Washer, Flat, 0.40b 1.12d .12, Ss	2
21	32486	(000000–003038)	Washer, Flat, 0.50 Sae	2
22	41430	(000000–003038)	Nut, Hex, Lock, M10 X 1.5, NI	2
23	1027099	(000000–001261)	Plate, Mtg, Seal	1
24	74455	(000000–001261)	Screw, Hex, M6 X 1.0 X 12, Fmg	2
25	1027103	(000000–001261)	Seal, Radiator	1
26	06943	(000000–003038)	Screw, Hex, M6 X 1.0 X 20, 8.8	4
27	32483	(000000–001261)	Washer, Flat, 0.25 Sae	3
28	08708	(000000–001261)	Nut, Hex, Lock, M6 X 1.0, NI	3
29	1045764	(000000–003038)	Cap, Radiator, 14psi [Stant Ao–2516]	1
30	51305	(000000–003038)	Fitting, Draincock, E90, .25npt	1
31	73471	(000000–003038)	Hose, Pvc, Clr, 0.38id 0.56od 22.00l	1
32	43844	(000000–003038)	Clamp, Hose, Wormdrive, 0.25–0.62d, .31w	1
33	1026003	(000000–002241)	Bracket, Ftg, Bh	1
34	67767	(000000–003038)	Clamp, Cable, Stl, 0.69d X 0.62w, 1h	1
35	09740	(000000–003038)	Screw, Hex, M8 X 1.25 X 20, Ss	1
36	01685	(000000–003038)	Washer, Flat, 0.31, Ss	1
37	08713	(000000–003038)	Nut, Hex, Lock, M8 X 1.25, NI, Ss	1
38	1019968	(000000–003038)	Bracket, Mtg, Radiator	1
39	30407	(000000–003038)	Clip, Keeper, Open	1
40	08709	(000000–003038)	Nut, Hex, Lock, M8 X 1.25, NI	4
41	1023853	(000000–003038)	Tank, Coolant, 04.7 03.3 4.7deep, 1liter	1
42	1015041	(000000–003038)	Hose, Afmkt, Coolant Recvy, 05ft	1
43	49800	(000000–003038)	Latch	1
44	06927	(000000–003038)	Screw, Pan, M4 X 0.70 X 16, 4.8	2
45	19064	(000000–003038)	Washer, Flat, #06	2

STANDARD PARTS

Fig. 26 – GM Engine Radiator Group (000000–003038)

Ref.	Part No.	Serial Number	Description	Qty.
46	02850	(000000–003038)	Nut, Hex, Lock, M4 X 0.7, NI	2
47	43844	(000000–003038)	Clamp, Hose, Wormdrive, 0.25–0.62d, .31w	2
48	1045316	(000000–002492)	Radiator Kit, Replmt, Ci	1
48	1041291	(002493–003038)	Radiator	1
49	1035976	(001338–003038)	Bracket, Sppt, Radiator, Upper	1
50	41178	(000000–003038)	Washer, Flat, 0.25, Fendr	3
51	1040467	(000000–003038)	Screw, Hex, M6 X 1.0 X 20, 9.8, Sems	2

STANDARD PARTS

Fig. 27 – GM Engine Radiator and Mount Group (003039–005999)

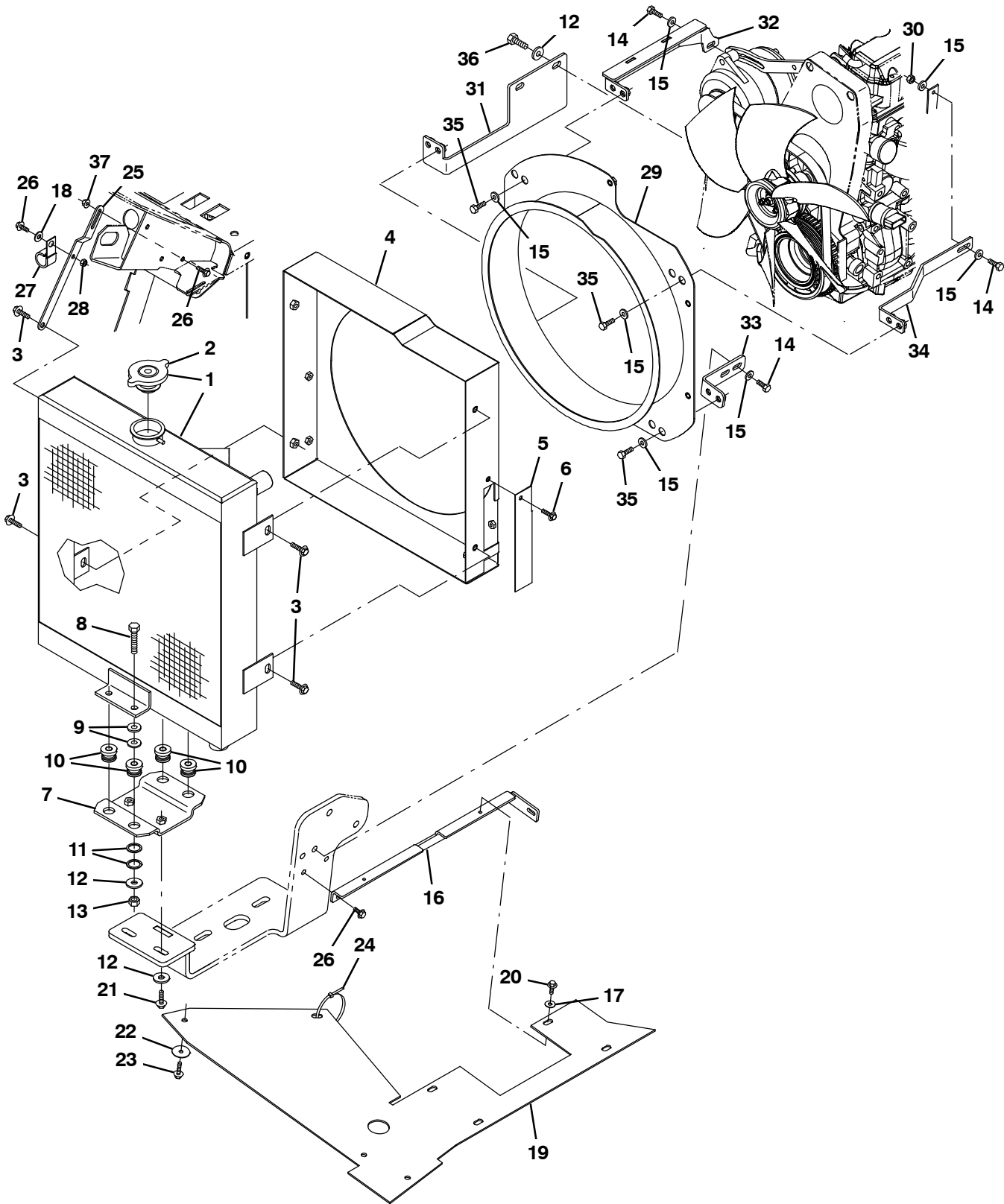


Fig. 27 – GM Engine Radiator and Mount Group (003039–005999)

Ref.	Part No.	Serial Number	Description	Qty.
▽	1	1045940	(003039–005999) Radiator, W/ Hyd Cooler [Side X Side]	1
▲	2	1045764	(003039–005999) Cap, Radiator, 14Psi [Stant]	1
	3	1037346	(003039–005999) Screw, Hex, M8 X 1.25 X 25, 9.8, Sems	4
	4	9006811	(003039–005999) Shrd Wldt,Fan,G/Lp, Replmt [M20/M30/T20]	1
	4	9006813	(003039–005999) Shrd Wldt,Fan,G/Lp, Replmt [TJ] (Japan Only)	1
	5	1045433	(003039–005999) Bracket, Cover	1
	6	1036892	(003039–005999) Screw, Hex, M6 X 1.00 X 25, 9.8 Sems	2
	7	1046962	(003039–005999) Bracket, Mtg, Radiator	1
	8	06962	(003039–005999) Screw, Hex, M10 X 1.50 X 45, 8.8	4
	9	32492	(003039–005999) Washer, Flat, 0.38, Std	8
	10	54274	(003039–005999) Isolator, Vib, Bshg, 1.1d 0.6l .4b 0.78h	4
	11	09832	(003039–005999) Washer, Flat, 0.81b 1.06d .06, Stl	8
	12	1014563	(003039–005999) Washer, Flat, 0.40b 1.12d .12, Ss	6
	13	41430	(003039–005999) Nut, Hex, Lock, M10 X 1.5, NI	4
	14	39277	(003039–005999) Screw, Hex, M8 X 1.25 X 25, 8.8	4
	15	32491	(003039–005999) Washer, Flat, 0.31, Std	12
	16	1043897	(003039–005999) Bracket, Skirt, Rbr	1
	17	32483	(003039–005999) Washer, Flat, 0.25, Sae	2
	18	32490	(003039–005999) Washer, Flat, 0.25, Std	2
	19	1052170	(003039–005999) Skirt, Eng Fan, Gas / Lp	1
	20	361339	(003039–005999) Screw, Hex, M6 X 1.00 X 16, Fmg	2
	21	1037355	(003039–005999) Screw, Hex, M8 X 1.25 X 35, 9.8, Sems	2
	22	41178	(003039–005999) Washer, Flat, 0.25, Fendr	3
	23	1036892	(003039–005999) Screw, Hex, M6 X 1.00 X 25, 9.8 Sems	3
	24	49266	(003039–005999) Tie, Cable, Nyl, 07.3l .19w 1.8 Max D	1
	25	1019968	(003039–005999) Bracket, Mtg, Radiator	1
	26	1040467	(003039–005999) Screw, Hex, M6 X 1.00 X 20, 9.8, Sems	4
	27	30407	(003039–005999) Clip, Keeper, Open	1
	28	08708	(003039–005999) Nut, Hex, Lock, M6 X 1.00, NI	1
	29	1046039	(003039–005999) Shroud Wldt, Fan, 16.25d [Side X Side]	1
	30	08165	(003039–005999) Nut, Hex, Stover, M8 X 1.25	1
	31	1045419	(003039–005999) Bracket, Fan, Rh	1
	32	1045530	(003039–005999) Bracket Wldt, Mtg, Fan, Upper	1
	33	1045415	(003039–005999) Bracket, Fan, Lh	1
	34	1045447	(003039–005999) Bracket, Fan, Upper, Lh	1
	35	16931	(003039–005999) Screw, Hex, M8 X 1.25 X 20, 8.8	9
	36	39283	(003039–005999) Screw, Hex, M10 X 1.50 X 25, 8.8	2
	37	07790	(003039–005999) Nut, Hex, Flng, M6 X 1.00	1

STANDARD PARTS

Fig. 28 - GM Engine Radiator Hose Group (003039-005999)

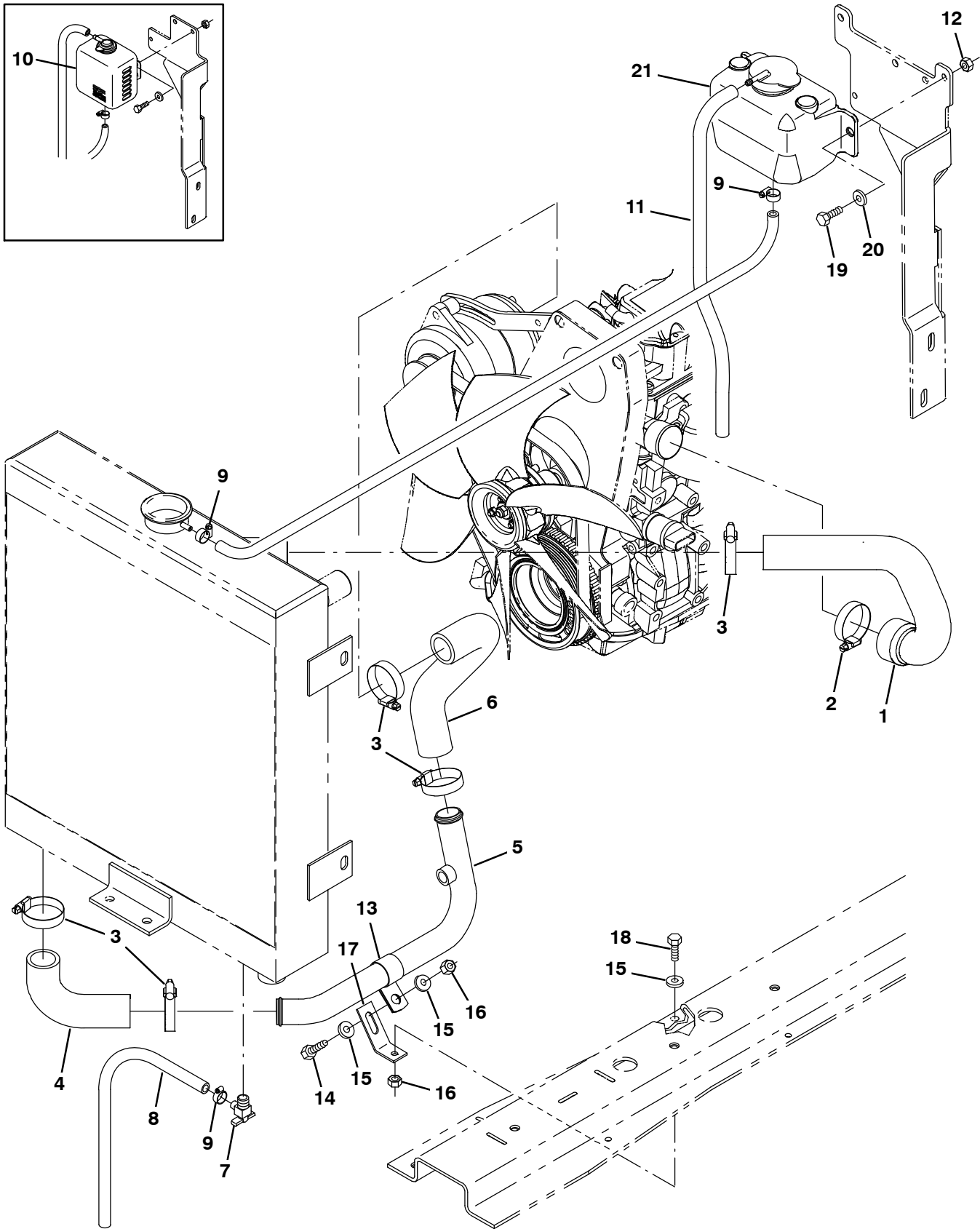


Fig. 28 - GM Engine Radiator Hose Group (003039-005999)

Ref.	Part No.	Serial Number	Description	Qty.
1	1014747	(003039-005999)	Hose, Coolant, Mold, 1.125id To 1.50id	1
2	22297	(003039-005999)	Clamp, Hose, Wormdrive, 1.56- 2.50d, .50w	1
3	79381	(003039-005999)	Clamp, Hose, Wormdrive, 1.25- 2.00d, .50w	5
4	1007482	(003039-005999)	Hose, Rbr, E90, 1.25id 1.25id	1
5	1043322	(003039-005999)	Tube, Coolant, 1.3d, Lower	1
6	1019265	(003039-005999)	Hose, Radiator, Lower, Mold	1
7	51305	(003039-005999)	Fitting, Draincock, E90, .25npt	1
8	73471	(003039-005999)	Hose, Pvc, Clr, 0.38id 0.56od 0.22.0l	1
9	43844	(003039-005999)	Clamp, Hose, Wormdrive, 0.25- 0.62d, .31w	3
10	1023853	(003039-003122)	Tank, Coolant, 03.30w 4.7hi 04.7l, 1liter	1
11	1015041	(003039-003122)	Hose, Afmkt, Coolant Recvy, 05ft	1
11	87738	(003123-005999)	Hose, Fuel, 0.18id, 29.0l	1
12	08709	(003039-005999)	Nut, Hex, Lock, M8 X 1.25, NI	2
13	58366	(003039-005999)	Clamp, Cable, Stl, 1.25d X 1.00w, 1hole	1
14	09010	(003039-005999)	Screw, Hex, M8 X 1.25 X 25, Ss	1
15	01685	(003039-005999)	Washer, Flat, 0.38b 0.88d .08, Ss	3
16	08713	(003039-005999)	Nut, Hex, Lock, M8 X 1.25, NI, Ss	2
17	1035214	(003039-005999)	Bracket, Tube, Coolant	1
18	09740	(003039-005999)	Screw, Hex, M8 X 1.25 X 20, Ss	1
19	16931	(003039-005999)	Screw, Hex, M8 X 1.25 X 20, 8.8	2
20	32491	(003039-005999)	Washer, Flat, 0.31, Std	2
21	1054382	(003123-005999)	Tank, Coolant, 03.6w 04.1hi 05.5l, 1liter	1

Fig. 29 – Mitsubishi Engine and Mount Group, Gas (006000–)

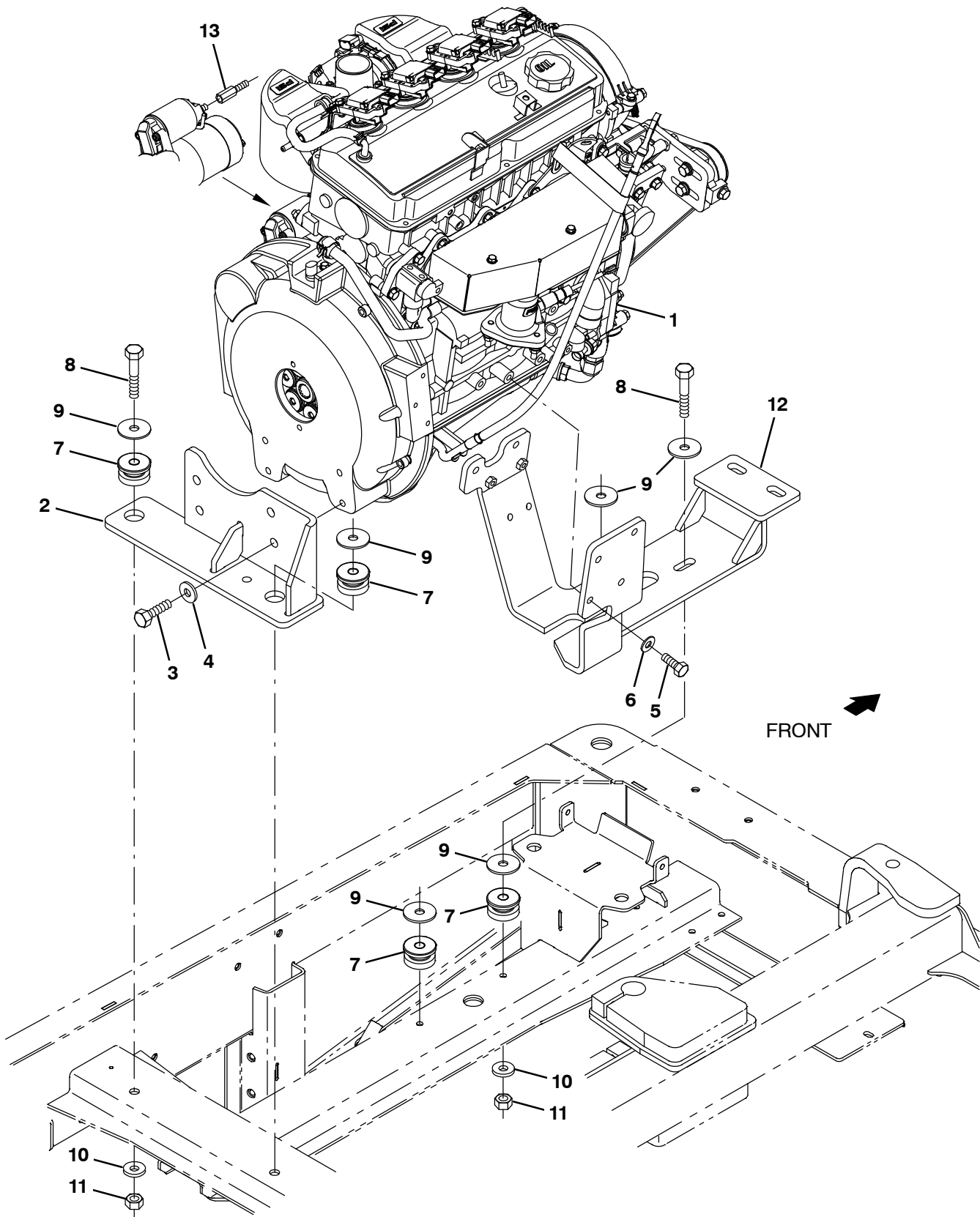


Fig. 29 – Mitsubishi Engine and Mount Group, Gas (006000–)

	Ref.	Part No.	Serial Number	Description	Qty.
▽	1	1071155	(006000–007114)	Engine, Gas [Mitsubishi] (See Engine Breakdown)	1
▲		393982	(006000–)	Element, Fltr, Oil, Spin–On (Mits)	1
▽	1	9014202	(007115–)	Engine, Block, Long [Mits 12mm] (See Engine Breakdown)	1
▲		393982	(006000–)	Element, Fltr, Oil, Spin–On (Mits)	1
	2	1070756	(006000–)	Bracket Wldt, Mtg, Eng, Rear [Mit 2013]	1
	3	06968	(006000–)	Screw, Hex, M12 X 1.75 X 35, 8.8	4
	4	32486	(006000–)	Washer, Flat, 0.50 Sae	4
	5	07299	(006000–)	Screw, Hex, M10 X 1.25 X 25, 8.8	6
	6	32485	(006000–)	Washer, Flat, 0.38 Sae	6
	7	51176	(006000–)	Isolator, Vib, .50d	4
	8	06972	(006000–)	Screw, Hex, M12 X 1.75 X 60, 8.8	4
	9	04414	(006000–)	Washer, Flat, 0.53b 1.88d .12, Stl, Pl	4
	10	32493	(006000–)	Washer, Flat, 0.50 Std	3
	11	08711	(006000–)	Nut, Hex, Lock, M12 X 1.75, NI	3
	12	1070751	(006000–)	Bracket Wldt, Mtg, Engine [Mit 2013]	1
	13	1072669	(006000–)	Stand–Off, Hex, M8 X M8, Metal	1

Fig. 30 - Mitsubishi Engine and Mount Group, LPG (006000-)

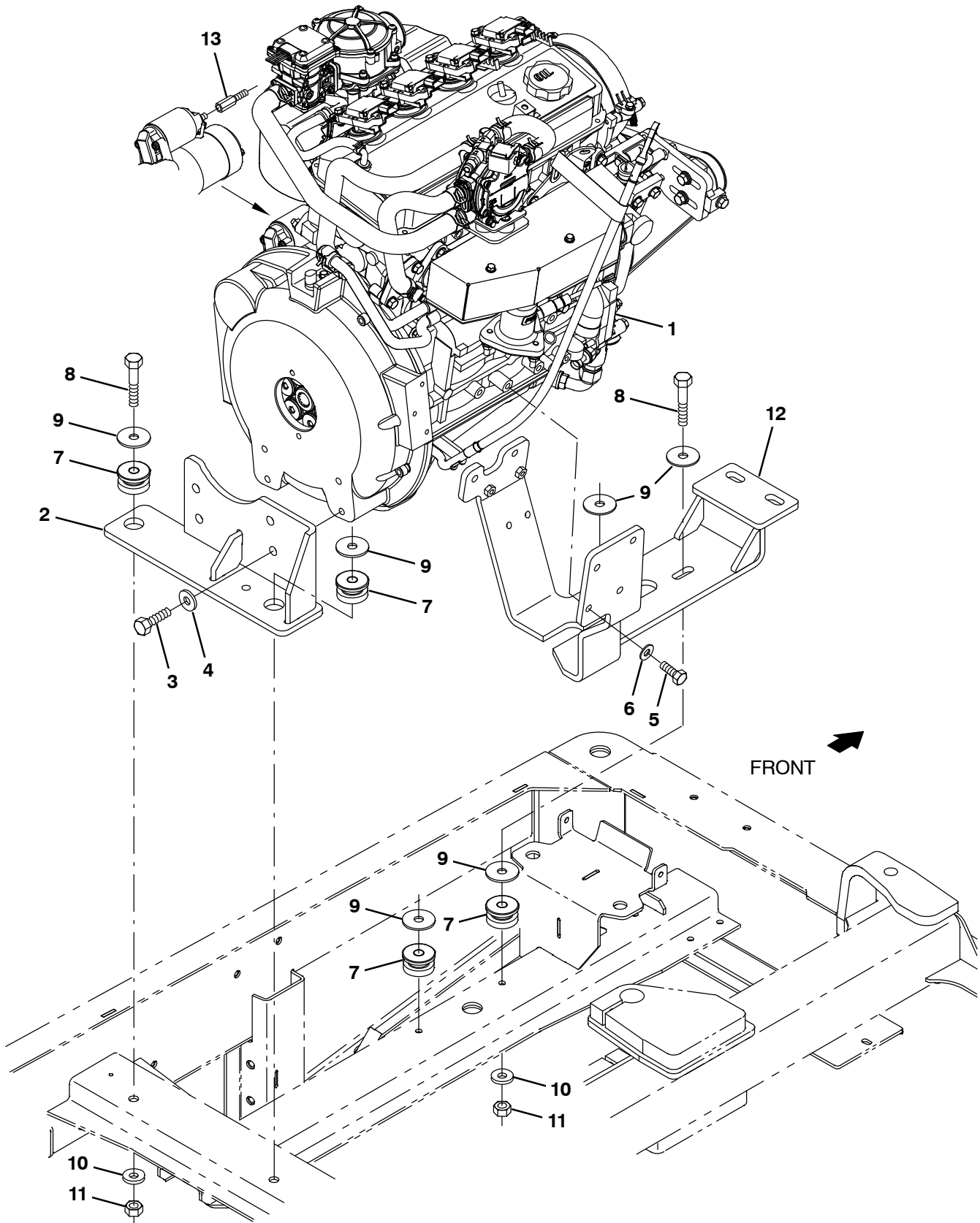


Fig. 30 – Mitsubishi Engine and Mount Group, LPG (006000–)

	Ref.	Part No.	Serial Number	Description	Qty.
▽	1	1070348	(006000–007114)	Engine, LPG [Mitsubishi] (See Engine Breakdown)	1
▲		393982	(006000–)	Element, Fitr, Oil, Spin–On (Mits)	1
▽	1	9014202	(007115–)	Engine, Block, Long [Mits 12mm] (See Engine Breakdown)	1
▲		393982	(006000–)	Element, Fitr, Oil, Spin–On (Mits)	1
	2	1070756	(006000–)	Bracket Wldt, Mtg, Eng, Rear [Mit 2013]	1
	3	06968	(006000–)	Screw, Hex, M12 X 1.75 X 35, 8.8	4
	4	32486	(006000–)	Washer, Flat, 0.50 Sae	4
	5	07299	(006000–)	Screw, Hex, M10 X 1.25 X 25, 8.8	6
	6	32485	(006000–)	Washer, Flat, 0.38 Sae	6
	7	51176	(006000–)	Isolator, Vib, .50d	4
	8	06972	(006000–)	Screw, Hex, M12 X 1.75 X 60, 8.8	4
	9	04414	(006000–)	Washer, Flat, 0.53b 1.88d .12, Stl, Pl	4
	10	32493	(006000–)	Washer, Flat, 0.50 Std	3
	11	08711	(006000–)	Nut, Hex, Lock, M12 X 1.75, NI	3
	12	1070751	(006000–)	Bracket Wldt, Mtg, Engine [Mit 2013]	1
	13	1072669	(006000–)	Stand–Off, Hex, M8 X M8, Metal	1

Fig. 31 – Mitsubishi Engine EFI Group, Gasoline (006000–)

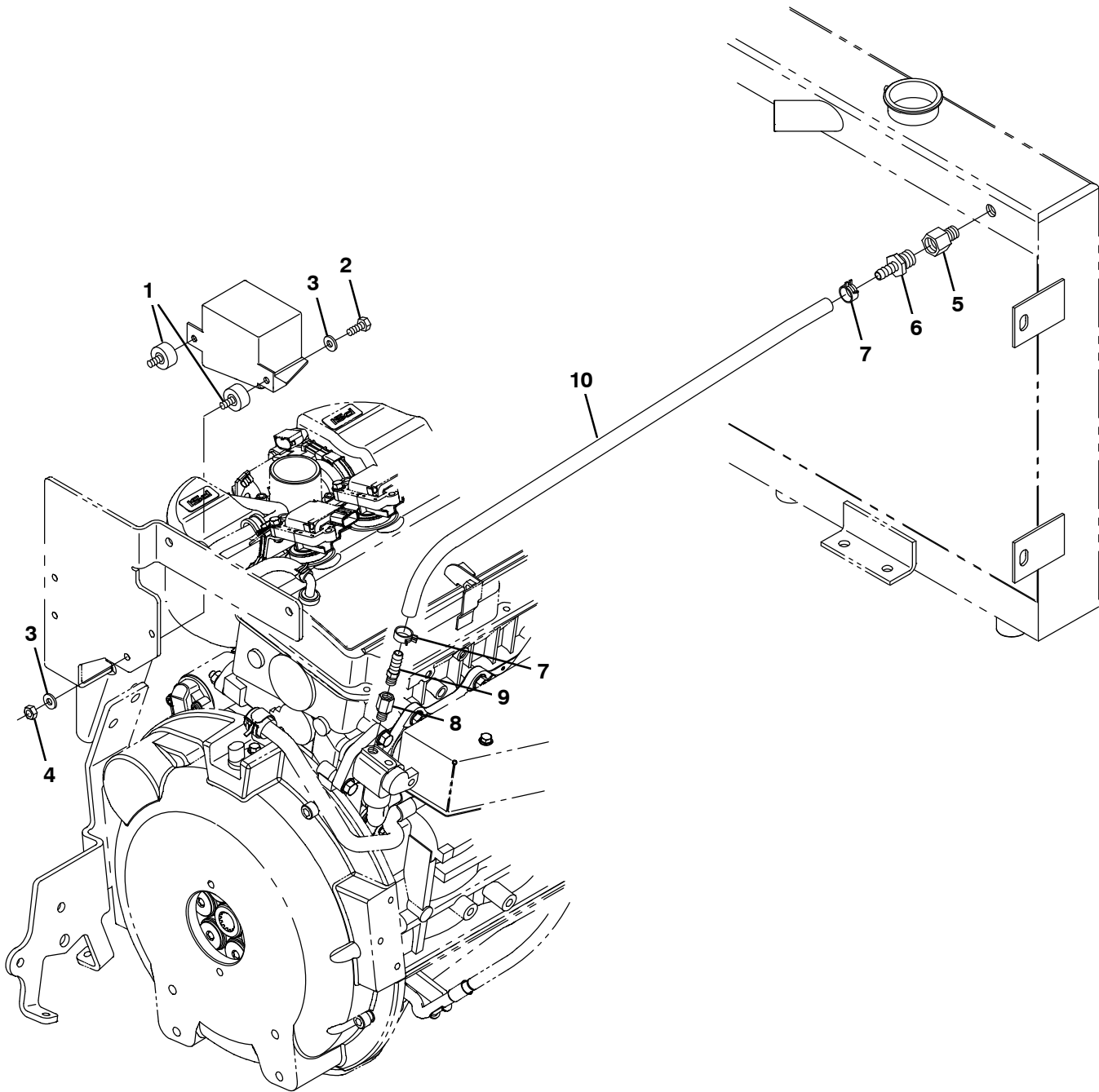


Fig. 31 - Mitsubishi Engine EFI Group, Gasoline (006000-)

Ref.	Part No.	Serial Number	Description	Qty.
1	372470	(006000-) Isolator, Box, Relay	2
2	19315	(006000-) Screw, Hex, .25-20 X 0.50, G5	2
3	32490	(006000-) Washer, Flat, 0.25, Std	4
4	19312	(006000-) Nut, Hex, Std, .25-20	2
5	1071440	(006000-) Fitting, Brs, Str, Pf06/Pm04	1
6	36159	(006000-) Fitting, Brs, Str, Bm06/Pm06	1
7	1072559	(006000-) Clamp, Hose, Spring Stl, 0.58d X 0.31w	2
8	1071502	(006000-) Fitting, Brs, Str, Pf02/Pm02 [Bspt]	1
9	1055552	(006000-) Fitting, Brs, Str, Bm06/Pm02	1
10	1072408	(006000-) Hose, Afmkt, Rbr, Heater, 0.38id, 03ft	1

Fig. 32 – Mitsubishi Engine EFI Group, LPG (006000–)

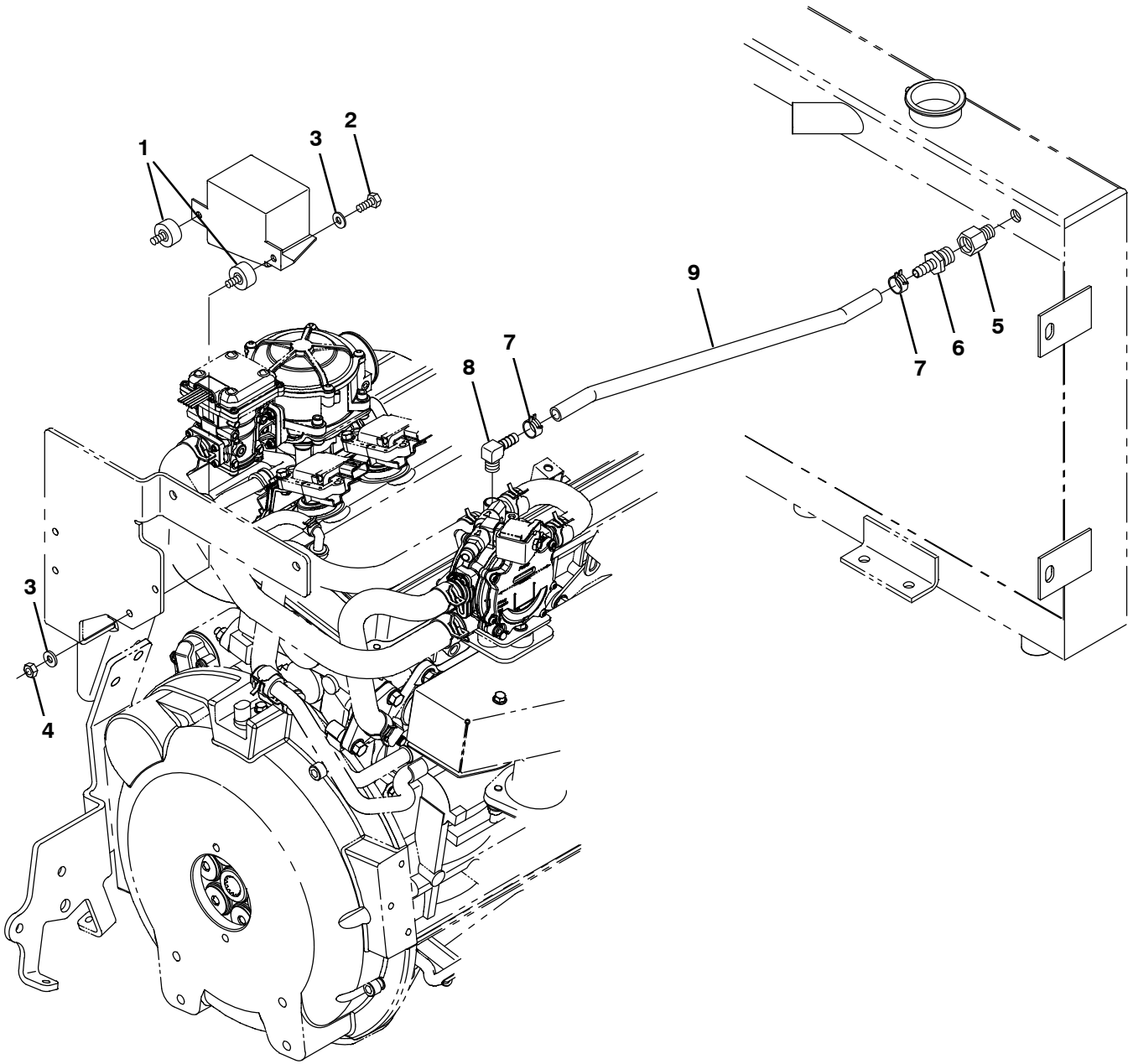


Fig. 32 - Mitsubishi Engine EFI Group, LPG (006000-)

Ref.	Part No.	Serial Number	Description	Qty.
1	372470	(006000-) Isolator, Box, Relay	2
2	19315	(006000-) Screw, Hex, .25-20 X 0.50, G5	2
3	32490	(006000-) Washer, Flat, 0.25, Std	4
4	19312	(006000-) Nut, Hex, Std, .25-20	2
5	1071440	(006000-) Fitting, Brs, Str, Pf06/Pm04	1
6	36159	(006000-) Fitting, Brs, Str, Bm06/Pm06	1
7	1072559	(006000-) Clamp, Hose, Spring Stl, 0.58d X 0.31w	2
8	1015815	(006000-) Fitting, Brs, E90, Bm06/Pm04	1
9	1072408	(006000-) Hose, Afmkt, Rbr, Heater, 0.38id, 03ft	1

Fig. 33 – Mitsubishi Engine Air Cleaner Group, Gasoline (006000–)

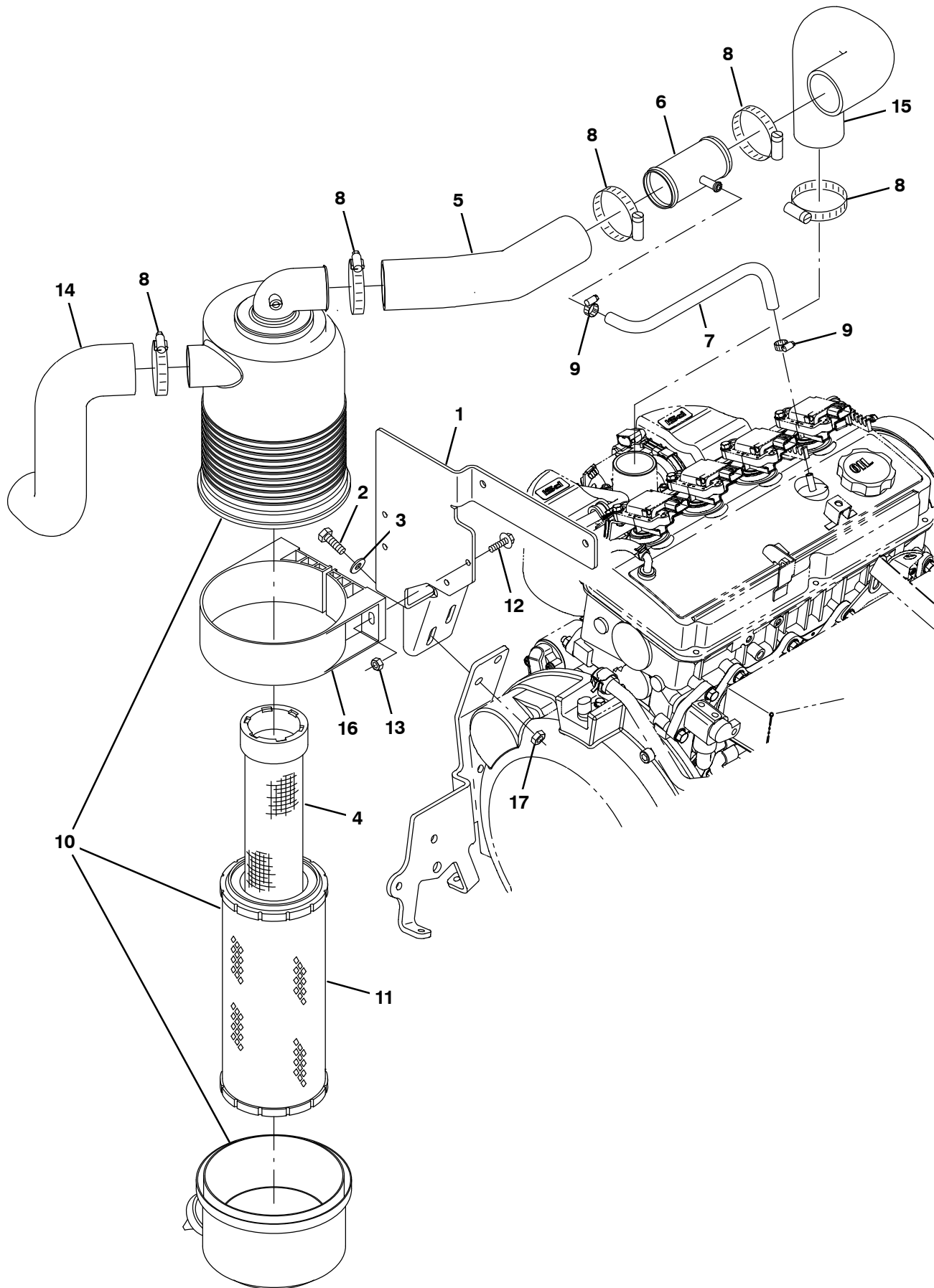


Fig. 33 - Mitsubishi Engine Air Cleaner Group, Gasoline (006000-)

Ref.	Part No.	Serial Number	Description	Qty.	
1	1070822	(006000-) Bracket, Mtg, Fltr, Air [Mit 2013]	1	
2	39277	(006000-) Screw, Hex, M8 X 1.25 X 25, 8.8	2	
3	32491	(006000-) Washer, Flat, 0.31, Std	2	
4	398279	(006000-) Element, Fltr, Air, Safety (OPTION)	1	
5	1070788	(006000-) Hose, Intake, Mold [Epdm Mit 2013]	1	
6	1070833	(006000-) Tube Wldt, Tee [Mit 2013]	1	
7	381391	(006000-) Hose, Drain, Overflow, Radiator [1pick=1ft]	1	
8	14432	(006000-) Clamp, Hose, Wormdrive, 1.81-2.75d, .50w	5	
9	54333	(006000-) Clamp, Hose, Wormdrive, 0.31-0.88d, .31w	2	
▽	10	369745	(006000-) Filter Assy, Air	1
▲	11	369746	(006000-) Element, Fltr, Air [Dn]	1
	12	1036892	(006000-) Screw, Hex, M6 X 1.00 X 25, 9.8 Sems	2
	13	08708	(006000-) Nut, Hex, Lock, M6 X 1.00, NI	2
	14	1020949	(006000-) Hose, Intake, Mold, 2.00id [Epdm]	1
	15	1071404	(006000-) Hose, Intake, Mold, Gas [Epdm Mit 2013]	1
	16	369747	(006000-) Clamp, Mtg, Fltr, Air	1
	17	08709	(006000-) Nut, Hex, Lock, M8 X 1.25, NI	2

Fig. 34 – Mitsubishi Engine Air Cleaner Group, LPG (006000-)

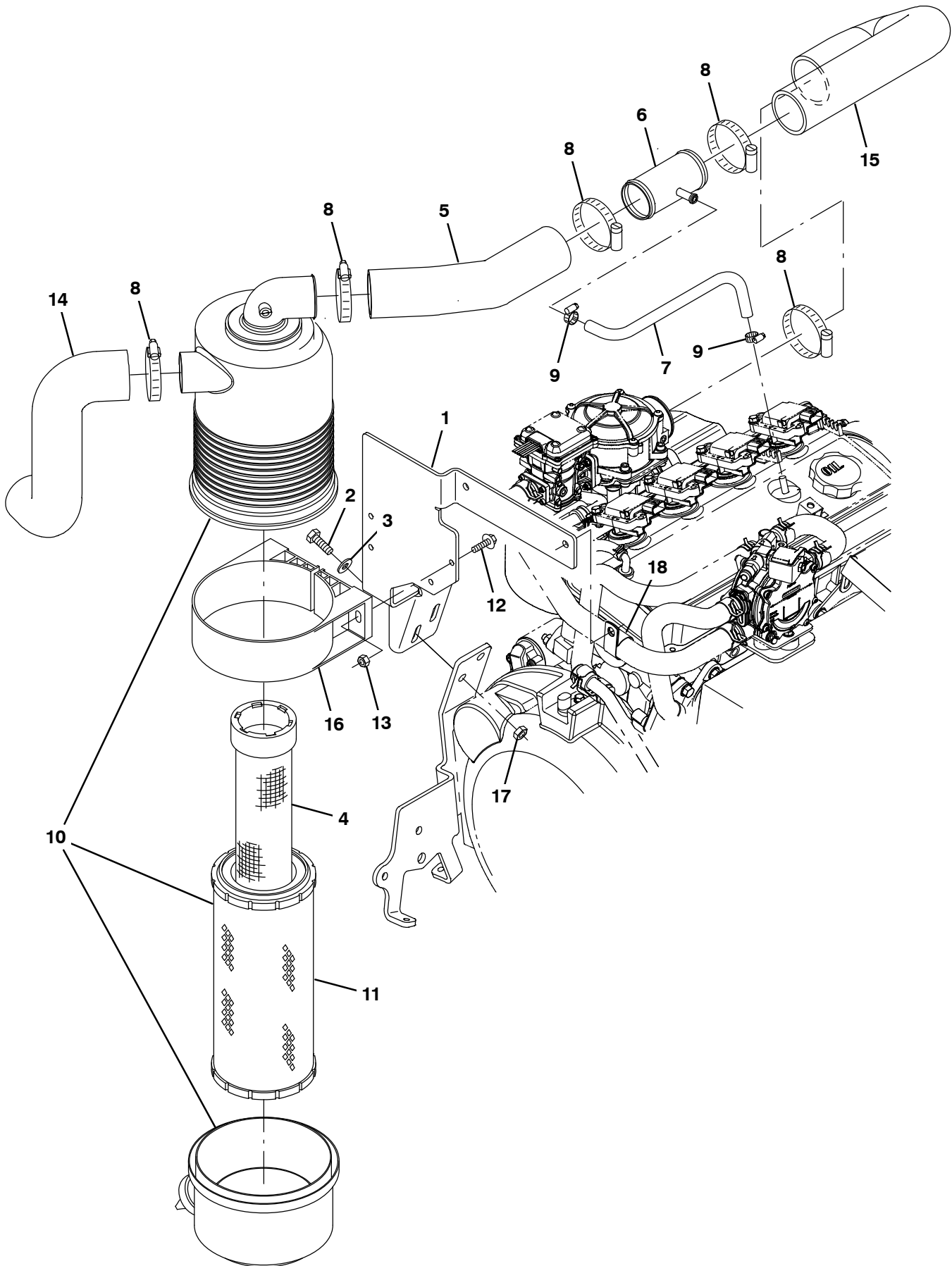


Fig. 34 - Mitsubishi Engine Air Cleaner Group, LPG (006000-)

Ref.	Part No.	Serial Number	Description	Qty.	
1	1070822	(006000-) Bracket, Mtg, Fltr, Air [Mit 2013]	1	
2	39277	(006000-) Screw, Hex, M8 X 1.25 X 25, 8.8	2	
3	32491	(006000-) Washer, Flat, 0.31, Std	2	
4	398279	(006000-) Element, Fltr, Air, Safety (OPTION)	1	
5	1070788	(006000-) Hose, Intake, Mold [Epdm Mit 2013]	1	
6	1070833	(006000-) Tube Wldt, Tee [Mit 2013]	1	
7	381391	(006000-) Hose, Drain, Overflow, Radiator [1pick=1ft]	1	
8	14432	(006000-) Clamp, Hose, Wormdrive, 1.81-2.75d, .50w	5	
9	54333	(006000-) Clamp, Hose, Wormdrive, 0.31-0.88d, .31w	2	
▽	10	369745	(006000-) Filter Assy, Air	1
▲	11	369746	(006000-) Element, Fltr, Air [Dn]	1
	12	1036892	(006000-) Screw, Hex, M6 X 1.00 X 25, 9.8 Sems	2
	13	08708	(006000-) Nut, Hex, Lock, M6 X 1.00, NI	2
	14	1020949	(006000-) Hose, Intake, Mold, 2.00id [Epdm]	1
	15	1070787	(006000-) Hose, Intake, Mold, Lpg [Epdm Mit2013]	1
	16	369747	(006000-) Clamp, Mtg, Fltr, Air	1
	17	08709	(006000-) Nut, Hex, Lock, M8 X 1.25, NI	2
	18	69234	(006000-) Clamp, Cable, Stl, 1.00d X 0.75w, 1hole	1

STANDARD PARTS

Fig. 35 – Mitsubishi Engine Alternator and Fan Group (006000–)

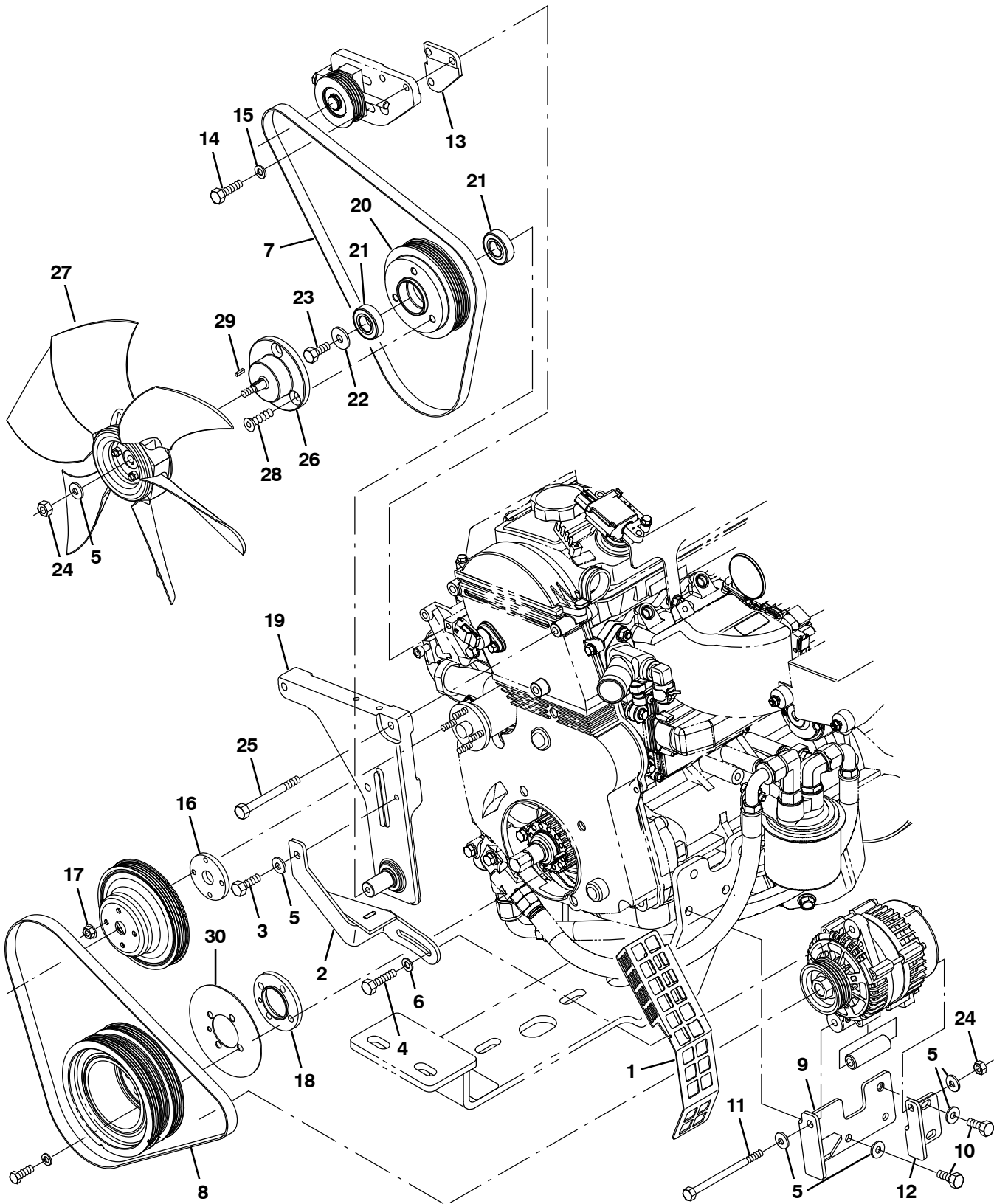


Fig. 35 – Mitsubishi Engine Alternator and Fan Group (006000–)

Ref.	Part No.	Serial Number	Description	Qty.
1	1071727	(006000–)	Guard, Fan, Side	1
2	1070890	(006000–)	Arm Wldt, Alternator [Mit 2013]	1
3	16931	(006000–)	Screw, Hex, M8 X 1.25 X 20, 8.8	1
4	04375	(006000–)	Screw, Hex, M8 X 1.25 X 40, 8.8, FI	1
5	32491	(006000–)	Washer, Flat, 0.31, Std	7
6	41186	(006000–)	Washer, Flat, Belleville, .31	1
7	1071144	(006000–)	Belt, Ribbed, Fan, 42.13l	1
8	1071145	(006000–)	Belt, Ribbed, Alternator, 41.5l	1
9	1070764	(006000–)	Bracket Wldt, Alternator [Mit13]	1
10	39277	(006000–)	Screw, Hex, M8 X 1.25 X 25, 8.8	3
11	49883	(006000–)	Screw, Hex, M8 X 1.25 X 120, 8.8, FI	1
12	1070619	(006000–)	Bracket, Mtg, Alternator [Mit 2013]	1
13	1071107	(006000–)	Block, Spacer	1
14	76570	(006000–)	Screw, Hex, M8 X 1.25 X 30, 8.8	2
15	39349	(006000–)	Washer, Flat, 0.31, Sae	2
16	1071108	(006000–)	Spacer, Pump, Water	1
17	07790	(006000–)	Nut, Hex, Flng, M6 X 1.00	4
18	1071110	(006000–)	Spacer, Crankshaft	1
19	1073529	(006000–)	Plate Wldt, Shaft, Fan [Shaft Extended]	1
20	1070426	(006000–)	Sheave, Mach [Mit 2615rpm Fan]	1
21	1055377	(006000–)	Bearing, Ball, 20mm B 42mm D 12mm W	2
22	1017218	(006000–)	Washer, Flat, 0.32b 1.00d .12, Ss	1
23	16735	(006000–)	Screw, Hex, M8 X 1.25 X 16, 8.8	1
24	08709	(006000–)	Nut, Hex, Lock, M8 X 1.25, NI	2
25	39281	(006000–)	Screw, Hex, M8 X 1.25 X 90, 8.8	3
26	1070431	(006000–)	Spacer, Fan, Taper [Mit 2013]	1
27	1031566	(006000–)	Fan, Cooling, 14.1d, 6 Blade, 0.5b Taper	1
28	48998	(006000–)	Screw, Flt, Soc, .38–16 X 1.00, AI	3
29	00960	(006000–)	Key, Sq, 0.12 X 0.12, 0.50l	1
30	1072421	(006000–)	Plate, Shield, Dust	1

Fig. 36 - Mitsubishi Engine Muffler Group (006000-)

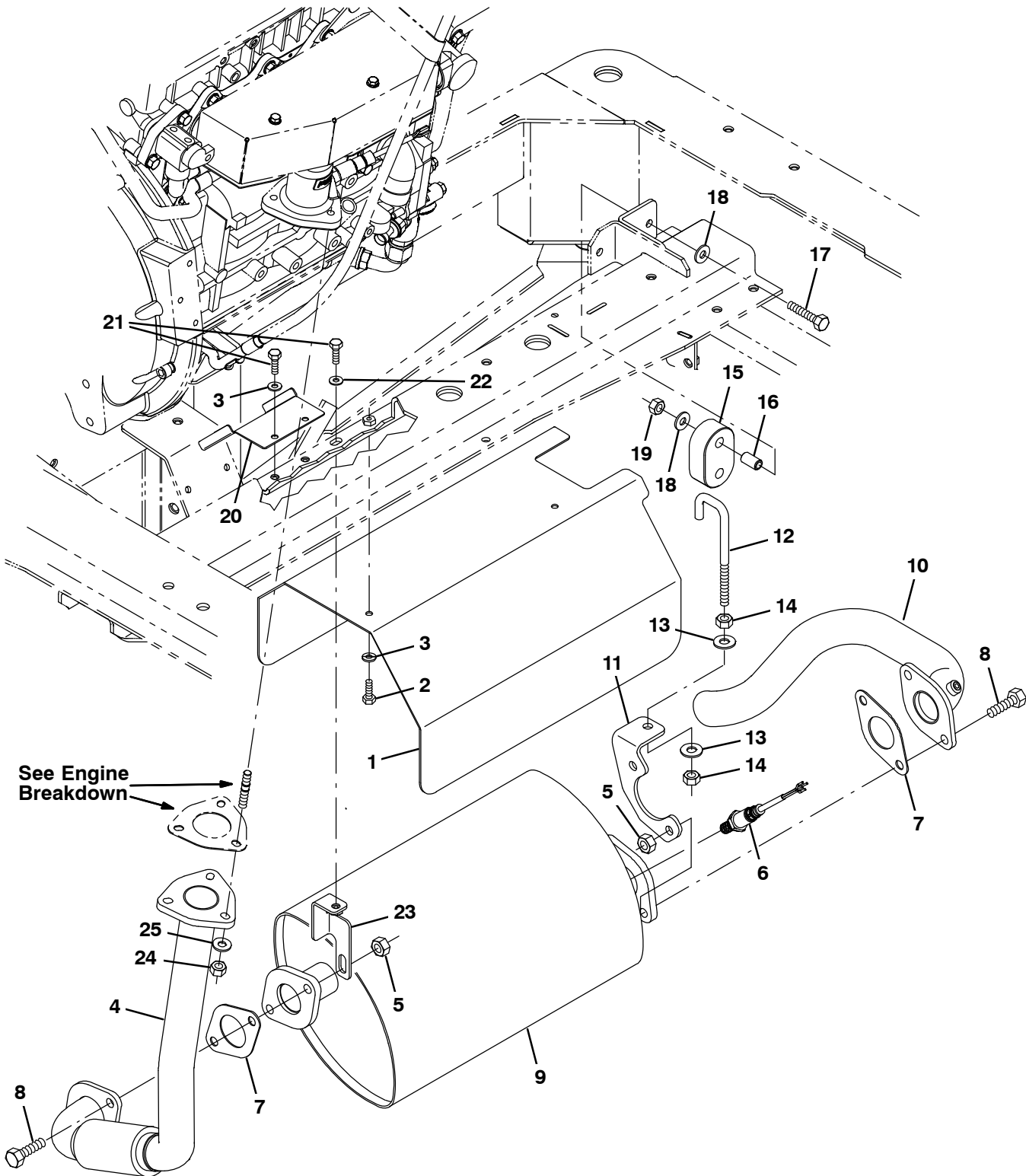


Fig. 36 – Mitsubishi Engine Muffler Group (006000–)

Ref.	Part No.	Serial Number	Description	Qty.
1	1028994	(006000–)	Channel, Shield, Muffler [M20/T20 2007]	1
2	08716	(006000–)	Screw, Hex, M6 X 1.0 X 20, Ss	2
3	32483	(006000–)	Washer, Flat, 0.25, Sae	4
4	9013159	(006000–)	Pipe Kit, Exhaust, Replmt [Mako Mitsu]	1
5	08166	(006000–)	Nut, Hex, M10 X 1.50 [Stover]	4
6	1028558	(006000–)	Sensor, Exhaust, Tailpipe	1
7	1011216	(006000–)	Gasket, Exhaust, 2hole, 3.4bc	2
8	39284	(006000–)	Screw, Hex, M10 X 1.5 X 35, 8.8	4
9	1071376	(006000–)	Muffler, Catalytic [Mit 2.0l 2013]	1
10	1028753	(006000–)	Tube, Exhaust, Flng, 1.5d [M20/T20 2007]	1
11	1028929	(006000–)	Bracket, Mtg, Muffler [M20/T20 2007]	1
12	1013117	(006000–)	Rod, Hanger, Isolator	1
13	32492	(006000–)	Washer, Flat, 0.38, Std	2
14	25014	(006000–)	Nut, Hex, Std, .38–16	2
15	1013031	(006000–)	Isolator, Rbr	1
16	222496	(006000–)	Sleeve, P/M, 0.31b 0.50d 0.9l [430ss]	1
17	222505	(006000–)	Screw, Hex, M8 X 1.25 X 45, Ss	1
18	01685	(006000–)	Washer, Flat, 0.38b 0.88d .08, Ss	2
19	08713	(006000–)	Nut, Hex, Lock, M8 X 1.25, NI, Ss	1
20	1071418	(006000–)	Shield, Tray, Drip [Mit 2013]	1
21	06943	(006000–)	Screw, Hex, M6 X 1.00 X 20, 8.8	3
22	32490	(006000–)	Washer, Flat, 0.25, Std	1
23	1071113	(006000–)	Bracket, Muffler	1
24	08165	(006000–)	Nut, Hex, Stover, M8	3
25	39349	(006000–)	Washer, Flat, 0.31, Sae	3

STANDARD PARTS

Fig. 37 - Mitsubishi Engine Radiator and Mount Group (006000-)

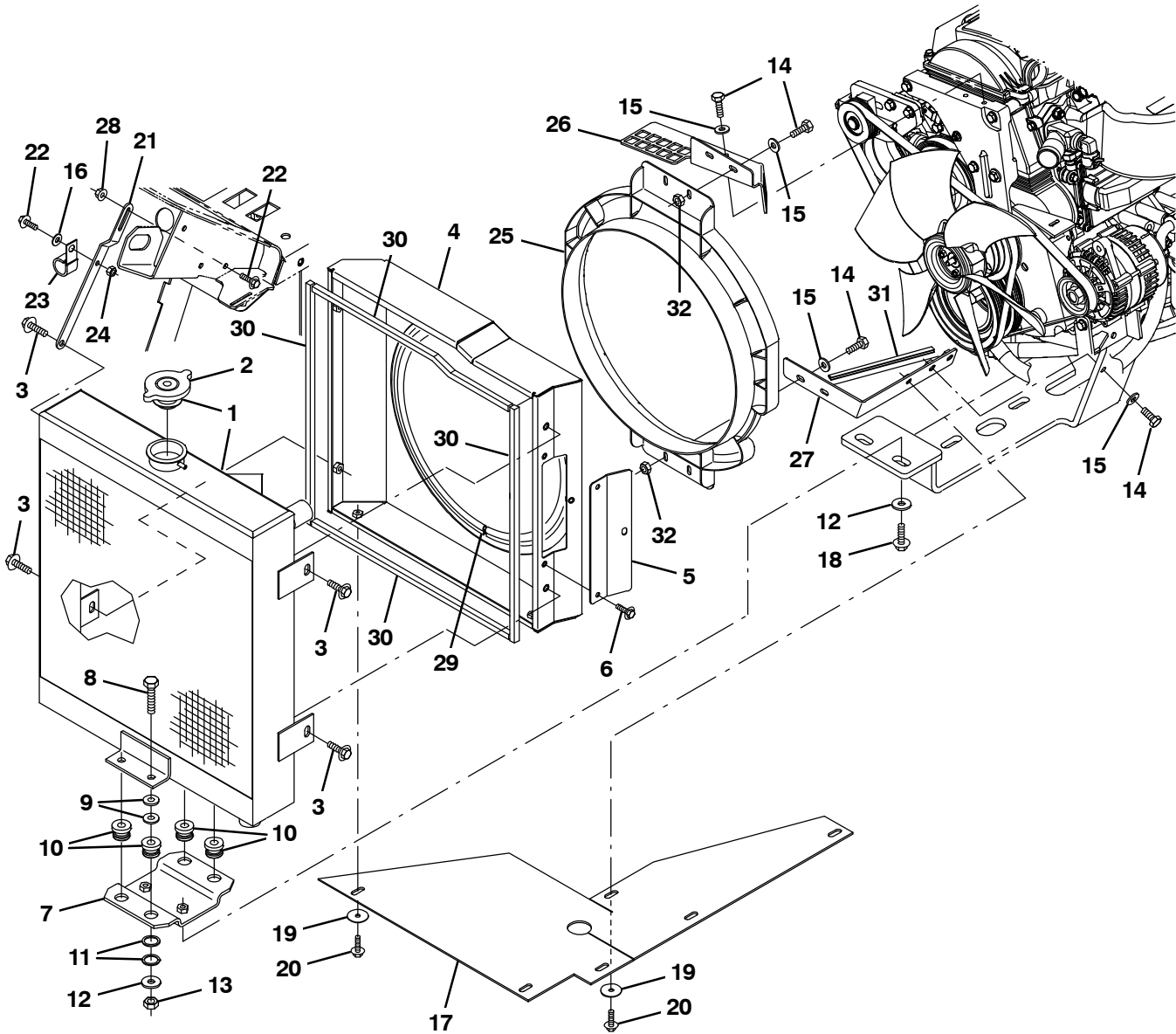


Fig. 37 – Mitsubishi Engine Radiator and Mount Group (006000–)

Ref.	Part No.	Serial Number	Description	Qty.
▽ 1	1045940	(006000–)	Radiator, W/ Hyd Cooler [Side X Side]	1
▲ 2	1045764	(006000–)	Cap, Radiator, 14Psi [Stant]	1
3	1037346	(006000–)	Screw, Hex, M8 X 1.25 X 25, 9.8, Sems	4
4	9010096	(006000–)	Shrd Wldt,Fan,G/Lp, Replmt [M20/M30/T20]	1
4	9010097	(006000–)	Shrd Wldt,Fan,G/Lp, Replmt [TJ] (Japan Only)	1
5	1070955	(006000–)	Plate, Door, Clean-Out [Mit2013]	1
6	1036892	(006000–)	Screw, Hex, M6 X 1.00 X 25, 9.8 Sems	3
7	1046962	(006000–)	Bracket, Mtg, Radiator	1
8	06962	(006000–)	Screw, Hex, M10 X 1.50 X 45, 8.8	4
9	32492	(006000–)	Washer, Flat, 0.38, Std	8
10	54274	(006000–)	Isolator, Vib, Bshg, 1.1d 0.6l .4b 0.78h	4
11	09832	(006000–)	Washer, Flat, 0.81b 1.06d .06, Stl	8
12	1014563	(006000–)	Washer, Flat, 0.40b 1.12d .12, Ss	4
13	41430	(006000–)	Nut, Hex, Lock, M10 X 1.5, NI	4
14	39277	(006000–)	Screw, Hex, M8 X 1.25 X 25, 8.8	8
15	32491	(006000–)	Washer, Flat, 0.31, Std	11
16	32490	(006000–)	Washer, Flat, 0.25, Std	2
17	1071785	(006000–)	Skirt, Eng Fan, Gas / Lp	1
18	1037355	(006000–)	Screw, Hex, M8 X 1.25 X 35, 9.8, Sems	2
19	41178	(006000–)	Washer, Flat, 0.25, Fendr	7
20	1036892	(006000–)	Screw, Hex, M6 X 1.00 X 25, 9.8 Sems	7
21	1019968	(006000–)	Bracket, Mtg, Radiator	1
22	1040467	(006000–)	Screw, Hex, M6 X 1.00 X 20, 9.8, Sems	2
23	30407	(006000–)	Clip, Keeper, Open	1
24	08708	(006000–)	Nut, Hex, Lock, M6 X 1.00, NI	1
25	1054428	(006000–)	Shroud, Fan	1
26	1070434	(006000–)	Bracket, Shrd, Fan, Upper, Sppt, G/Lpg	1
27	1070860	(006000–)	Bracket, Shrd, Fan, Lower, Sppt, G/Lpg	1
28	07790	(006000–)	Nut, Hex, FIng, M6 X 1.00	1
29	1048166	(006000–)	Seal, Afmkt, Bulb, Str, 0.58d 08ft	1
30	1015205	(006000–)	Seal, Afmkt, Ure, Adh, 0.38, 0.38w 02ft	4
31	57569	(006000–)	Molding, Trim, Pvc, .08-.11 06.8l	1
32	08709	(006000–)	Nut, Hex, Lock, M8 X 1.25, NI	4

Fig. 38 – Mitsubishi Engine Radiator Hose Group (006000–)

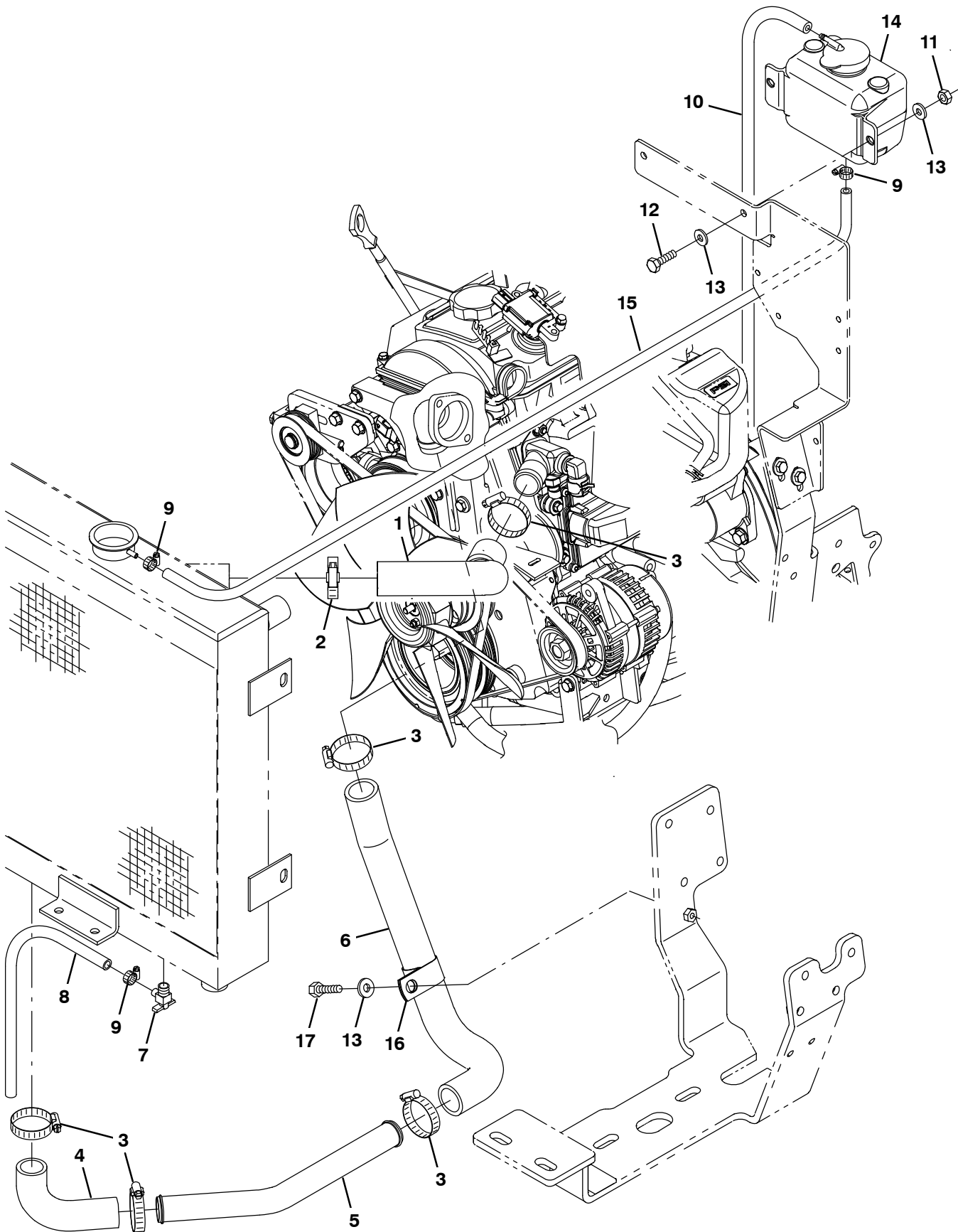


Fig. 38 – Mitsubishi Engine Radiator Hose Group (006000–)

Ref.	Part No.	Serial Number	Description	Qty.
1	1070732	(006000–)	Hose, Coolant, Upper, Mold [Mit 2013]	1
2	22297	(006000–)	Clamp, Hose, Wormdrive, 1.56–2.50d, .50w	1
3	79381	(006000–)	Clamp, Hose, Wormdrive, 1.25–2.00d, .50w	5
4	1007482	(006000–)	Hose, Rbr, E90, 1.25id 1.25id 04.2 03.1	1
5	1071099	(006000–)	Tube, Coolant, 1.3d, Lower [Mit 2013]	1
6	9010904	(006000–)	Hose Kit, Coolant, Replmt [Mitsubishi}	1
7	51305	(006000–)	Fitting, Draincock, E90, .25npt	1
8	73471	(006000–)	Hose, Pvc, Clr, 0.38id 0.56od 022.0l	1
9	43844	(006000–)	Clamp, Hose, Wormdrive, 0.25–0.62d, .31w	3
10	87738	(006000–)	Hose, Fuel, 0.18id, 29.0l	1
11	08709	(006000–)	Nut, Hex, Lock, M8 X 1.25, NI	2
12	39277	(006000–)	Screw, Hex, M8 X 1.25 X 25, 8.8	2
13	32491	(006000–)	Washer, Flat, 0.31, Std	5
14	1054382	(006000–)	Tank, Coolant, 03.6w 04.1hi 05.5l, 1liter	1
15	1014843	(006000–)	Hose, Afmkt, Coolant Recvy, 05ft	1
16	53466	(006000–)	Clamp, Cable, Stl, 1.50d X 1.00w, 1hole	1
17	16931	(006000–)	Screw, Hex, M8 X 1.25 X 20, 8.8	1

Fig. 39 – Engine Fuel Tank Group, Gasoline (00000–001999)

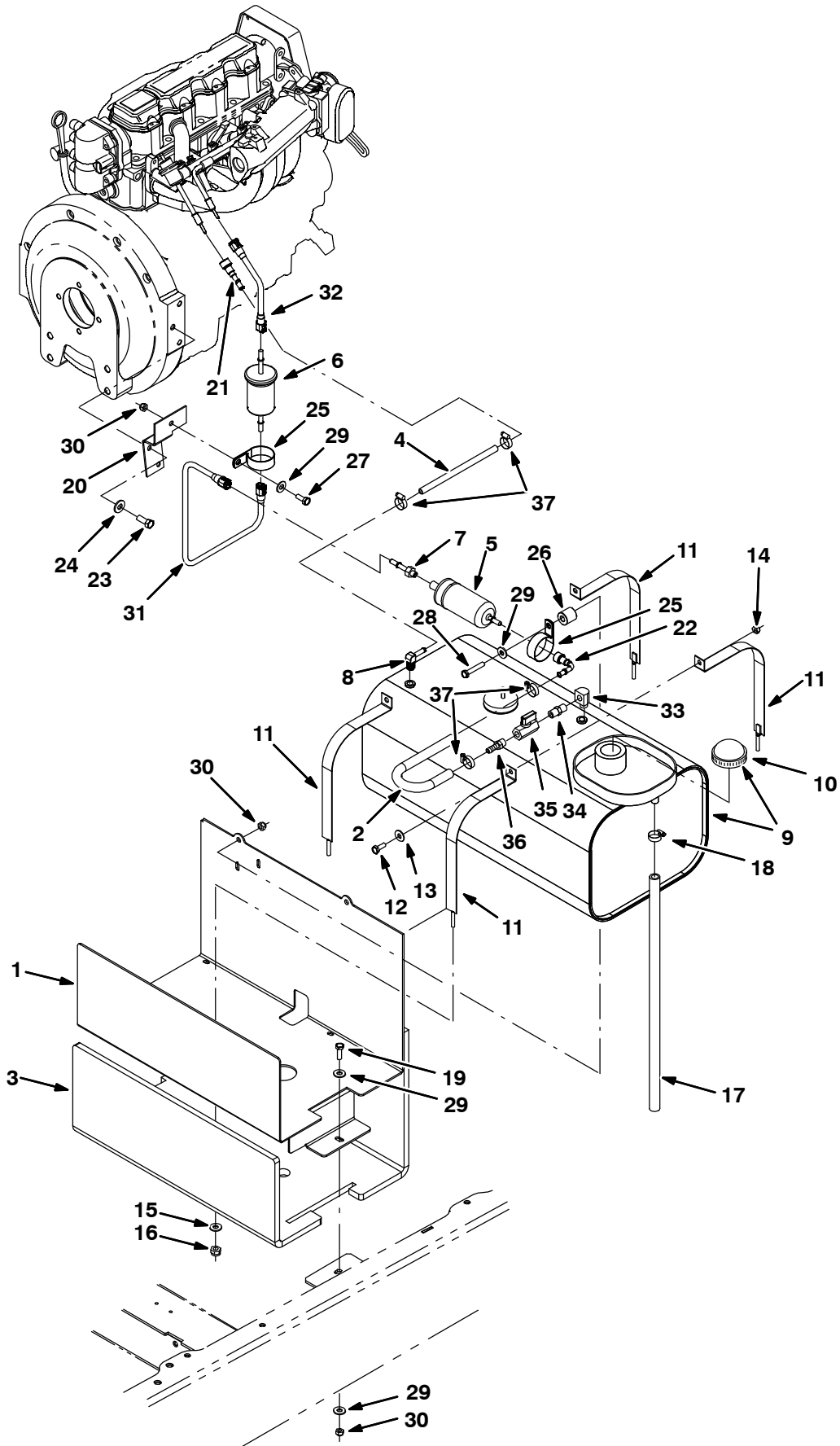


Fig. 39 – Engine Fuel Tank Group, Gasoline (000000–001999)

Ref.	Part No.	Serial Number	Description	Qty.	
1	1026550	(000000–001999)	Tray Wldt, Fuel	1	
2	87730	(000000–001999)	Hose, Fuel, 0.31id 12.0l	1	
3	1026759	(000000–001999)	Insulation, Flame–Retardant, 0.5	1	
4	1012160	(000000–001999)	Hose, Fuel, 0.31id 24.0l	1	
5	1011107	(000000–001999)	Pump, Fuel, Hi Press [Gm 1.6l/3.0l]	1	
6	372440	(000000–001999)	Filter, Fuel [Gm 1.6l/3.0l]	1	
7	1013086	(000000–001999)	Connector, Fuel, Qf	1	
8	9000355	(000000–001999)	Fitting, Brs, E90, Em05/Pm04	1	
▽	9	9002395	(000000–001999)	Tank, Fuel, 11.26Gal, gas, Replmt	1
▲	10	48267	(000000–001999)	Cap, Tank, Fuel, 2.3neck 2.6d	1
▲		1039521	(000000–001999)	Send–Unit, Fuel	1
	11	1025229	(000000–001999)	Strap, Tank, Gas	4
	12	39277	(000000–001999)	Screw, Hex, M8 X 1.25 X 25, 8.8	2
	13	32491	(000000–001999)	Washer, Flat, 0.31, Std	2
	14	08709	(000000–001999)	Nut, Hex, Lock, M8 X 1.25, NI	2
	15	32483	(000000–001999)	Washer, Flat, 0.25 Sae	4
	16	32981	(000000–001999)	Nut, Hex, Lock, .25–20, NI	4
	17	1023482	(000000–001999)	Hose, Fuel, 0.50id 21.0l	1
	18	54333	(000000–001999)	Clamp, Hose, Wormdrive, 0.31–0.88d, .31w	1
	19	39277	(000000–001999)	Screw, Hex, M8 X 1.25 X 25, 8.8	2
	20	1019416	(000000–001999)	Bracket, Mtg, Fuel	1
	21	1013086	(000000–001999)	Connector, Fuel, Qf	1
	22	1019939	(000000–001999)	Connector, Fuel, E90, Qf	1
	23	21197	(000000–001999)	Screw, Hex, .38–16 X 1.00, 5	2
	24	32492	(000000–001999)	Washer, Flat, 0.38 Std	2
	25	1011895	(000000–001999)	Clamp, Cable, Stl, 2.00d X 0.75w, 1 Hole	2
	26	383912	(000000–001999)	Sleeve, P/M, 0.43b 1.00d 1.0l, Stl	1
	27	16931	(000000–001999)	Screw, Hex, M8 X 1.25 X 20, 8.8	1
	28	06956	(000000–001999)	Screw, Hex, M8 X 1.25 X 45, 8.8	1
	29	32491	(000000–001999)	Washer, Flat, 0.31, Std	6
	30	08709	(000000–001999)	Nut, Hex, Lock, M8 X 1.25, NI	4
	31	1026664	(000000–001999)	Fuelline, .31d Str/Str, Plstc	1
	32	1019394	(000000–001999)	Fuelline, .31d Str/Str, Plstc	1
	33	27048	(000000–001999)	Fitting, Brs, E90, Pf04/Pm04	1
	34	398468	(000000–001999)	Fitting, Brs, Str, Pm04/Pm04	1
	35	1019940	(000000–001999)	Valve, Ball, 04pf, Chm W/ Handle	1
	36	392629	(000000–001999)	Fitting, Brs, Str, Bm05/Pm04	1
	37	54333	(000000–001999)	Clamp, Hose, Wormdrive, 0.31–0.88d, .31w	4

Fig. 40 - Engine Fuel Tank Group, Gasoline (002000-)

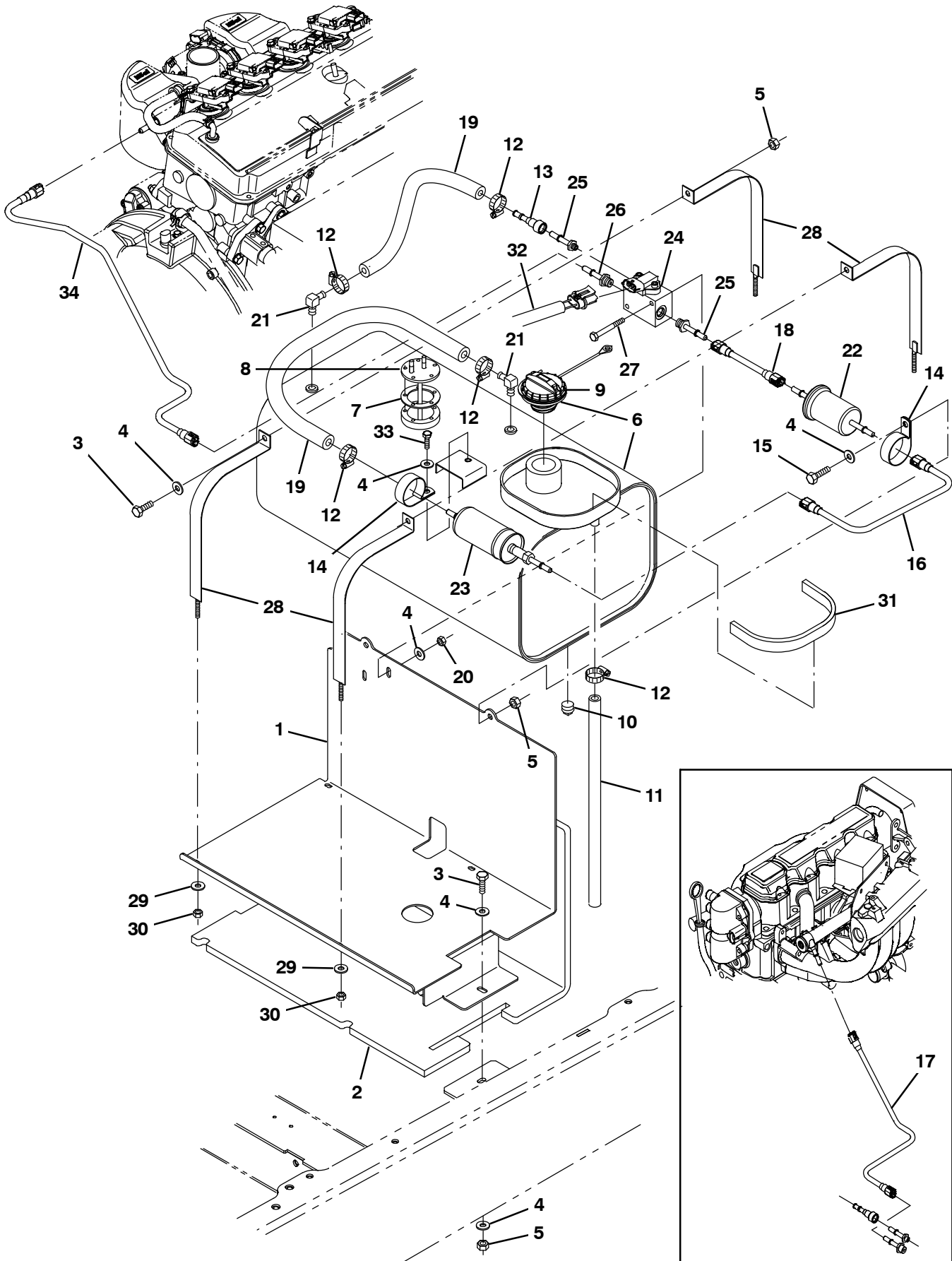


Fig. 40 – Engine Fuel Tank Group, Gasoline (002000–)

Ref.	Part No.	Serial Number	Description	Qty.
1	1026550	(002000–)	Tray Wildt, Fuel	1
2	1026759	(002000–)	Insulation, Flame-Retardant, 0.5	1
3	39277	(002000–)	Screw, Hex, M8 X 1.25 X 25, 8.8	4
4	32491	(002000–)	Washer, Flat, 0.31, Std	8
5	08709	(002000–)	Nut, Hex, Lock, M8 X 1.25, NI	5
▽	6	9003610	(002000–) Tank, Fuel, 11.2gal, Gas, Replmt [2007]	1
▲	7	1033897	(002000–) Gasket, Sender, Fuel	1
▲	8	1033901	(002000–) Send-Unit, Fuel [2007]	1
▲	9	1032812	(002000–) Cap, Fuel, Tank	1
▲	10	48126	(002000–) Fitting, Pipe, Plug, Pm02, Sq Head	1
	11	1023482	(002000–) Hose, Fuel, 0.50id, 21.0l	1
	12	54333	(002000–) Clamp, Hose, Wormdrive, 0.31–0.88d, .31w	5
	13	1013086	(002000–) Connector, Fuel, Qf	2
	14	1011895	(002000–) Clamp, Cable, Stl, 2.00d X 0.75w, 1hole	2
	15	06956	(002000–) Screw, Hex, M8 X 1.25 X 45, 8.8	2
	16	1034676	(002000–) Fuelline, .31d Str/Str,Plstc[M20/T20 07]	1
	17	1034655	(002000–005999) Fuelline, .31d Str/Str,Plstc[M20/T20 07]	1
	18	1012248	(002000–) Fuelline, .31d Str/Str, Plstc	1
	19	1033746	(002000–) Hose, Fuel, 0.31id [Evap Emission 07]	2
	20	08708	(002000–) Nut, Hex, Lock, M6 X 1.00, NI	2
	21	9000355	(002000–) Fitting, Brs, E90, Em05/Pm04	2
	22	372440	(002000–) Filter, Fuel [Gm 1.6l/3.0l]	1
	23	9006592	(002000–) Pump, Fuel	1
	24	1028924	(002000–) Manifold, Gas, Relief, Valve	1
	25	1029293	(002000–) Fitting, Fuel, Str, 0.56–18 [07 Eng]	2
	26	1029295	(002000–) Fitting, Fuel, Str, 0.38–24 [07 Eng]	1
	27	06949	(002000–) Screw, Hex, M6 X 1.0 X 50, 8.8	2
	28	1025229	(002000–) Strap, Tank, Gas	4
	29	32483	(002000–) Washer, Flat, 0.25, Sae	4
	30	32981	(002000–) Nut, Hex, Lock, .25–20, NI	4
	31	62595–15	(002000–) Molding, Trim, Pvc, .08–.11 13.2l	1
	32	385009	(002000–) Harness, Manifold, Gas	1
	33	16931	(002000–) Screw, Hex, M8 X 1.25 X 20, 8.8	1
	34	1071388	(006000–) Fuelline, .31d Str/Str, Plstc [Mit 2013]	1

Fig. 41 – Engine Fuel Tank Group, LPG

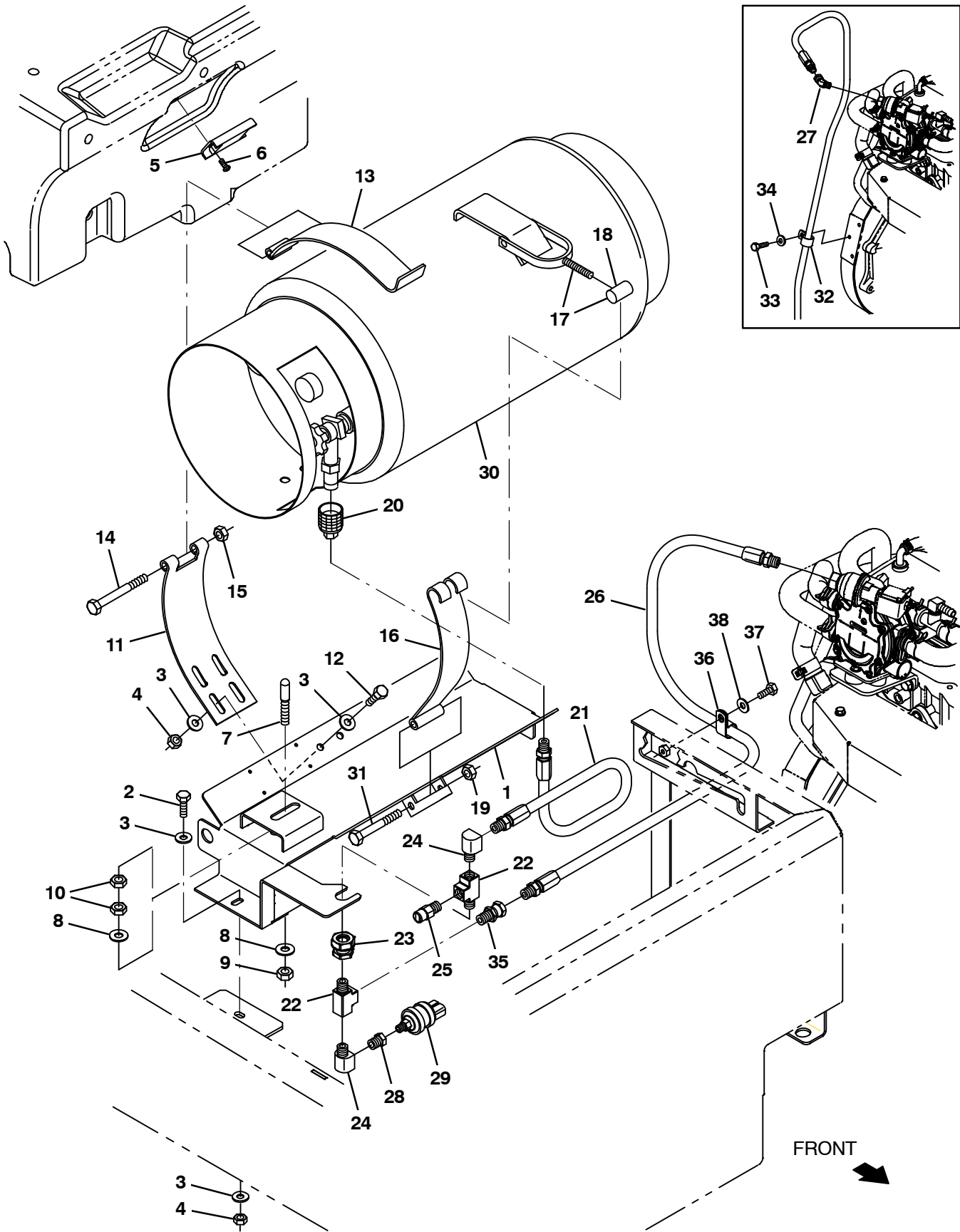


Fig. 41 - Engine Fuel Tank Group, LPG

Ref.	Part No.	Serial Number	Description	Qty.
1	1017947	(000000-) Tray Wldt, Lpg	1
2	39277	(000000-) Screw, Hex, M8 X 1.25 X 25, 8.8	2
3	32491	(000000-) Washer, Flat, 0.31, Std	8
4	08709	(000000-) Nut, Hex, Lock, M8 X 1.25, NI	4
5	63378	(000000-) Magnet, Drive Brush	1
6	09200	(000000-) Screw, Pan, M5 X 0.8 X 12, Ss	2
7	1024934	(000000-) Pin, Locating, Lpg	1
8	32492	(000000-) Washer, Flat, 0.38 Std	2
9	41430	(000000-) Nut, Hex, Lock, M10 X 1.5, NI	1
10	32716	(000000-) Nut, Hex, Jam, M10 X 1.5, Ss	2
11	58589	(000000-) Strap, Mtg, Tank, Lpg	1
12	16931	(000000-) Screw, Hex, M8 X 1.25 X 20, 8.8	2
13	57297	(000000-) Strap, Mtg, Tank, Lpg, Hinge	1
14	35710	(000000-) Screw, Hex, .38-16 X 3.75, 5	1
15	59156	(000000-) Nut, Hex, Lock, .38-16, NI, Ss	1
16	58590	(000000-) Strap, Mtg, Tank, Lpg	1
▽	17	53400-1	(000000-) Latch Assy, Mtg, Tank, Lpg, W/Nut	1
▲	18	53400-4	(000000-) Nut, Adj, Mtg, Tank, Lpg	1
19	36643	(000000-) Nut, Hex, Lock, .38-16, NI, Thin	1
20	26496	(000000-) Fitting, Brs, Qdc, Pf04, Lpg Fem	1
21	22308-6	(000000-) Hose, Lpg, Med05, Pm04str/Sm04str, 14.0l	1
22	150709	(000000-) Fitting, Brs, Tee, Pf04/Pf04/Pm04, Run	2
23	78122	(000000-) Fitting, Brs, Str, Pf04/Pf04, Bh	1
24	27048	(000000-) Fitting, Brs, E90, Pf04/Pm04	2
25	24047	(000000-) Valve, Lpg, Press Relief [Rego]	1
26	19760	(000000-) Hose, Lpg, Med05, Pm04str/Sm04str, 55.0l	1
27	392645	(000000-007077)) Fitting, Pipe, E45, Spcl	1
28	17414	(000000-) Fitting, Hyd, Str, Pf02/Pm04	1
29	23156	(000000-) Switch, Press, 12vdc 08a Spst Nc 0070psi	1
30	24928-1	(000000-) Tank, Lpg, 33lb, W/ Gauge [Empty, Liq]	1
31	35707	(000000-) Screw, Hex, .38-16 X 3.00, 5	1
32	69234	(006000-007077)) Clamp, Cable, Stl, 1.00d X 0.75w, 1hole	1
33	09740	(006000-007077)) Screw, Hex, M8 X 1.25 X 20, Ss	1
34	32491	(006000-007077)) Washer, Flat, 0.31, Std	1
35	11442-23	(007078-) Fitting, Pipe, Str, Pm04/Sf04	1
36	67767	(007078-) Clamp, Cable, Stl, 0.69d X 0.62w, 1hole	1
37	06942	(007078-) Screw, Hex, M6 X 1.00 X 16, 8.8	1
38	32483	(007078-) Washer, Flat, 0.25, Sae	1

Fig. 42 – Battery and Electrical Group

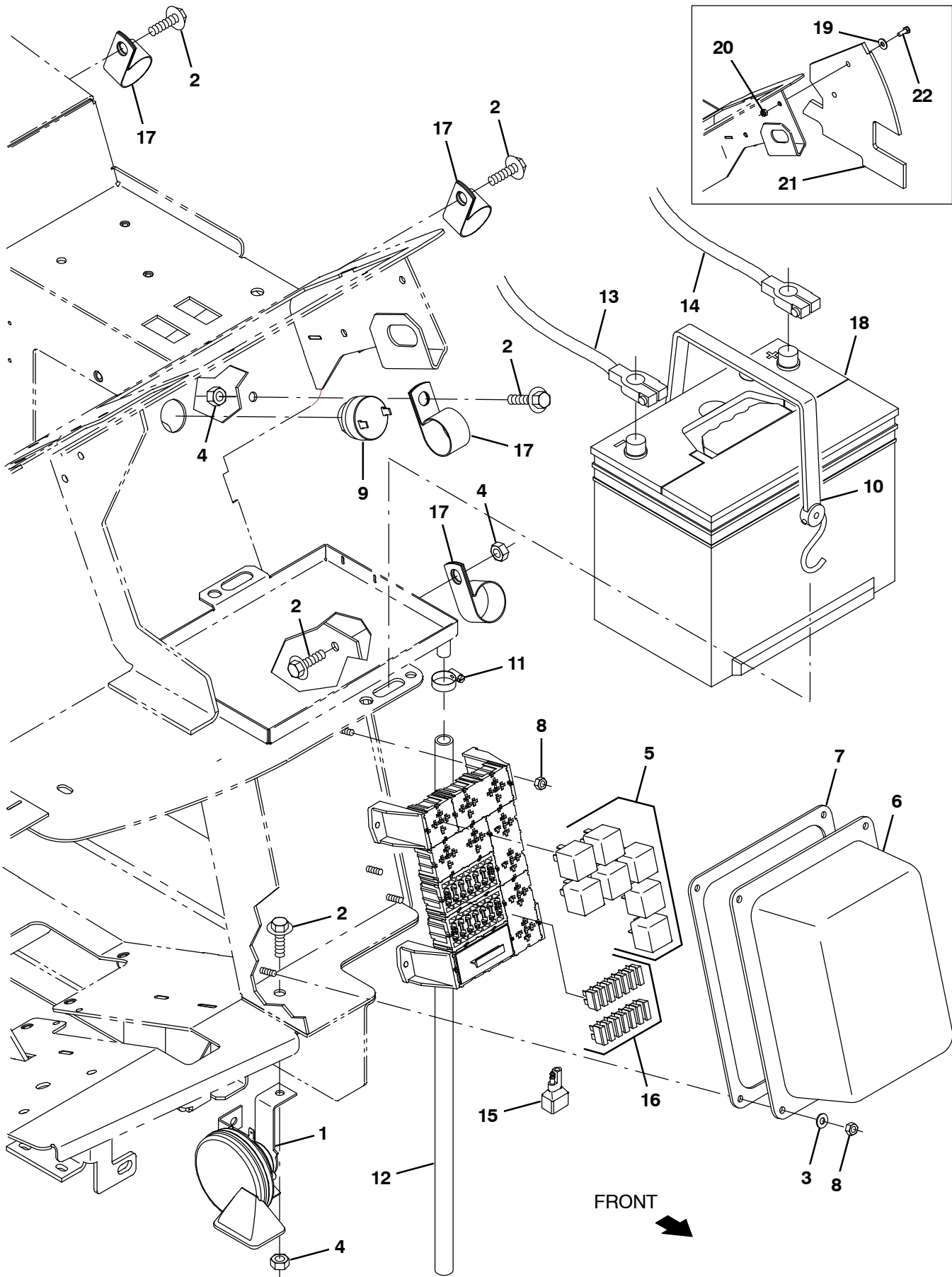


Fig. 42 - Battery and Electrical Group

Ref.	Part No.	Serial Number	Description	Qty.
1	369704	(000000-) Horn, 12vdc, Dba [Wolo]	1
2	1037346	(000000-) Screw, Hex, M8 X 1.25 X 25, 9.8, Sems	5
3	19066	(000000-) Washer, Flat, #10	4
4	08709	(000000-) Nut, Hex, Lock, M8 X 1.25, NI	3
5	57804	(000000-) Relay, 12vdc, 40a, Spdt N/O	7
6	1024274	(000000-) Cover, Fuse, Block	1
7	1026576	(000000-) Gasket, Cover, Fuse Block	1
8	06549	(000000-) Nut, Hex, Lock, M5 X 0.8, NI	8
9	1021290	(000000-) Alarm, Warning [Sonalert, St628]	1
10	33671	(000000-) Strap, Rbr, Tie-Down, 2/Hooks 19.0l	1
11	54333	(000000-) Clamp, Hose, Wormdrive, 0.31-0.88d, .31w	1
12	20778	(000000-) Hose, Pvc, Clr, 0.50id 0.69od 30.00l	1
13	60295	(000000-005999) Cable, Battery, 02ga 60.0l Blk .41ring	1
13	1071481	(006000-) Cable, Battery, 2ga, 62l, Blk	1
14	68869	(000000-005999) Cable, Battery, 02ga 48.0l Red .41ring	1
14	1071482	(006000-) Cable, Battery, 2ga, 60l, Red	1
15	222290	(000000-) Diode, Ele, Plug	1
16	762514	(000000-) Fuse, 015a	14
17	53466	(000000-) Clamp, Cable, Stl, 1.50d X 1.00w, 1h	4
18	10137	(000000-) Battery, 12vdc, 0475cca, Ah, Wet	1
19	32490	(000000-001278) Washer, Flat, 0.25 Std	2
20	08708	(000000-001278) Nut, Hex, Lock, M6 X 1.0, NI	2
21	1027228	(000000-001278) Seal, Radiator, Upper	1
22	06942	(000000-001278) Screw, Hex, M6 X 1.0 X 16, 8.8	2

Fig. 43 – Wheel Group, Front Drive

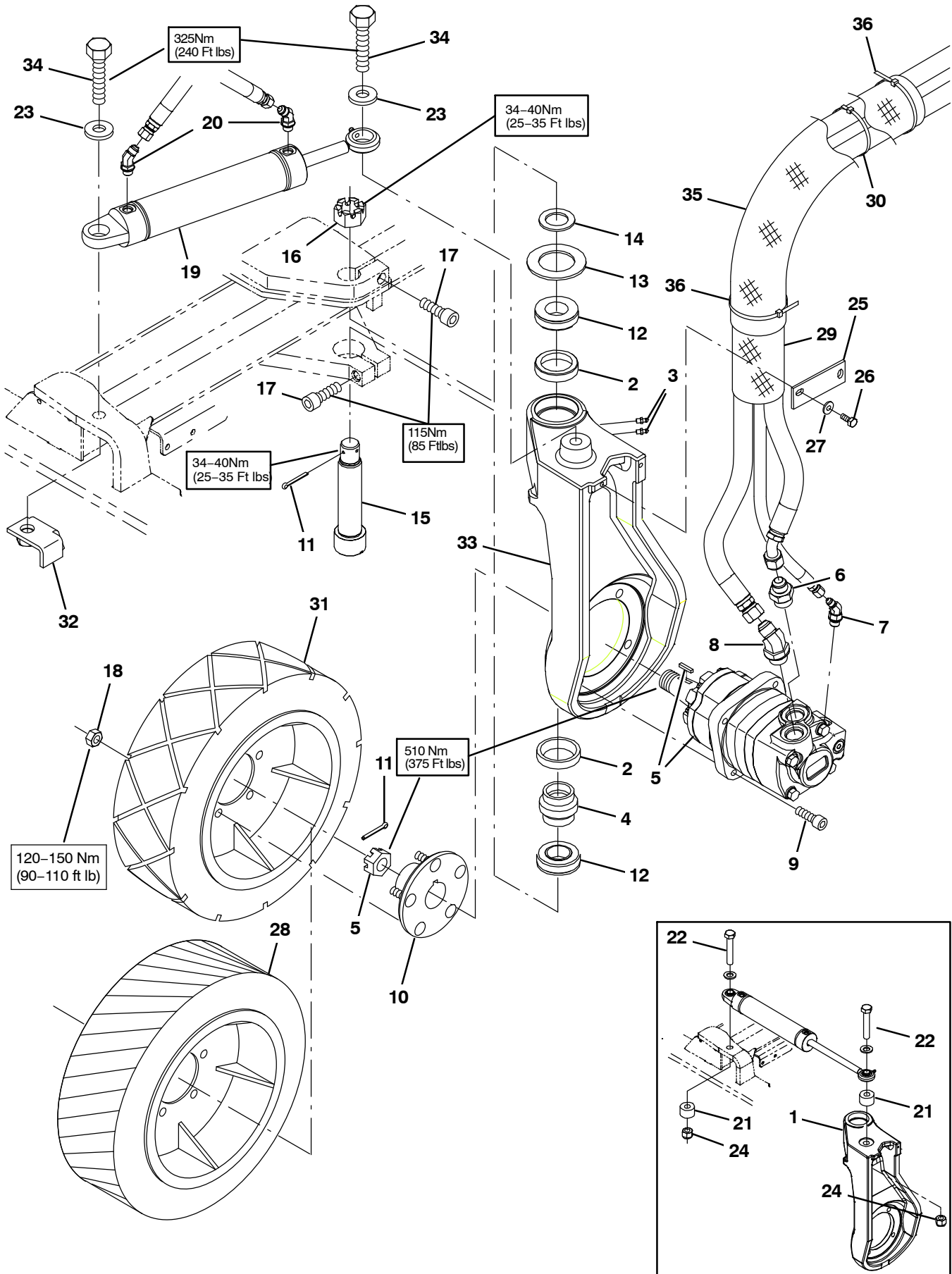


Fig. 43 – Wheel Group, Front Drive

Ref.	Part No.	Serial Number	Description	Qty.	
1	9008248	(000000-003675)	Housing Kit, Drive, Front, Replmt	1	
2	51338	(000000-)	Bearing, Cup, 2.56d 0.55w	2	
3	47801	(000000-)	Fitting, Grease, Str Pm04 .63l	2	
4	374560	(000000-)	Seal, Drive, Rear, Grease Cav	1	
5	379609	(000000-)	Motor, Hyd, Gear, Int 19.0 Bi-Dir 3000 (See Breakdowns)	1	
6	42223	(000000-)	Fitting, Hyd, Str, Jm10/Om12	1	
7	393215	(000000-)	Fitting, Hyd, E45, Jm04/Om06	1	
8	1024249	(000000-)	Fitting, Hyd, E45, Jm10/Om12	1	
9	19583	(000000-)	Screw, Soc, .50-13 X 1.50, Al	4	
▽	10	54087	(000000-)	Hub Assy, Wheel, 5 Bolt 4.50bc Taper B	1
▲		32126	(000000-)	Stud, Wheel, .50-20 X 1.50l, 0.370th	5
	11	08180	(000000-)	Pin, Cotter, .125 X 2.00	2
	12	51339	(000000-)	Bearing, Cone, 1.38b 0.71w	2
	13	374563	(000000-)	Washer, Flat, 2.16b 3.50d .16, Felt	1
	14	54051	(000000-)	Washer, Flat, 1.39b 2.12d .13, Stl	1
	15	73281	(000000-)	Bolt, Shld, 1.37d X 5.13l, 1.1-18 Drilled	1
	16	54052	(000000-)	Nut, Hex, Slted, 1.12-18	1
	17	72926	(000000-)	Screw, Soc, M16 X 2.0 X 50, 12.9	2
	18	24339	(000000-)	Nut, Wheel, .50-20 X 60 Angle	5
	19	1017903	(000000-006885)	Cylinder, Hyd, 2.0b, 15.2l, 09.00strk, 3000	1
	19	1034270	(006886-)	Cylinder, Hyd, 2.0b, 15.2l, 09.00strk, 3000	1
	20	47522	(000000-)	Fitting, Hyd, E45, Jm06/Om06	2
	21	71340	(000000-003675)	Tube, Rnd, 1.75d 0.77b 01.1l, Stl, Pntd	2
	22	71341	(000000-003675)	Screw, Hex, .75-10 X 4.00, 5	2
	23	39350	(000000-006885)	Washer, Flat, 0.75 Sae	2
	23	1073487	(006886-)	Washer, Flat, .781b 1.63od .16, Stl, Blk	2
	24	32987	(000000-003675)	Nut, Hex, Lock, .75-10, NI	2
	25	58842	(000000-)	Bar, Flat, Stl 0.19, 01.50 X 04.1l	1
	26	16931	(000000-)	Screw, Hex, M8 X 1.25 X 20, 8.8	2
	27	32491	(000000-)	Washer, Flat, 0.31, Std	2
	28	1061973	(000000-)	Tire, Drive, Scrbr, Pu, Grey, 18.0X6.0 (Optional Polyurethane)	1
	29	57315	(000000-)	Sleeve, Nyl, #37 05.0l	2
	30	49266	(000000-)	Tie, Cable, Nyl, 07.3l .19w 1.8 Max D	2
	31	1059343	(000000-)	Tire, Drive, Scrbr, Non-Skid, 18.0X6.0	1
	32	1060521	(003676-)	Bracket, Mtg, Sppt	1
	33	1071061	(003676-)	Housing, Sppt, Front Wheel	1
	34	77345	(003676-)	Screw, Hex, .75-10 X 3.25, G5	1
	35	82832	(006000-)	Sleeve, Nyl, 2.38id 25.0l	1
	36	49266	(006000-)	Tie, Cable, Nyl, 07.3l .19w 1.8 Max D	2

Fig. 44 - Wheel Group, Rear

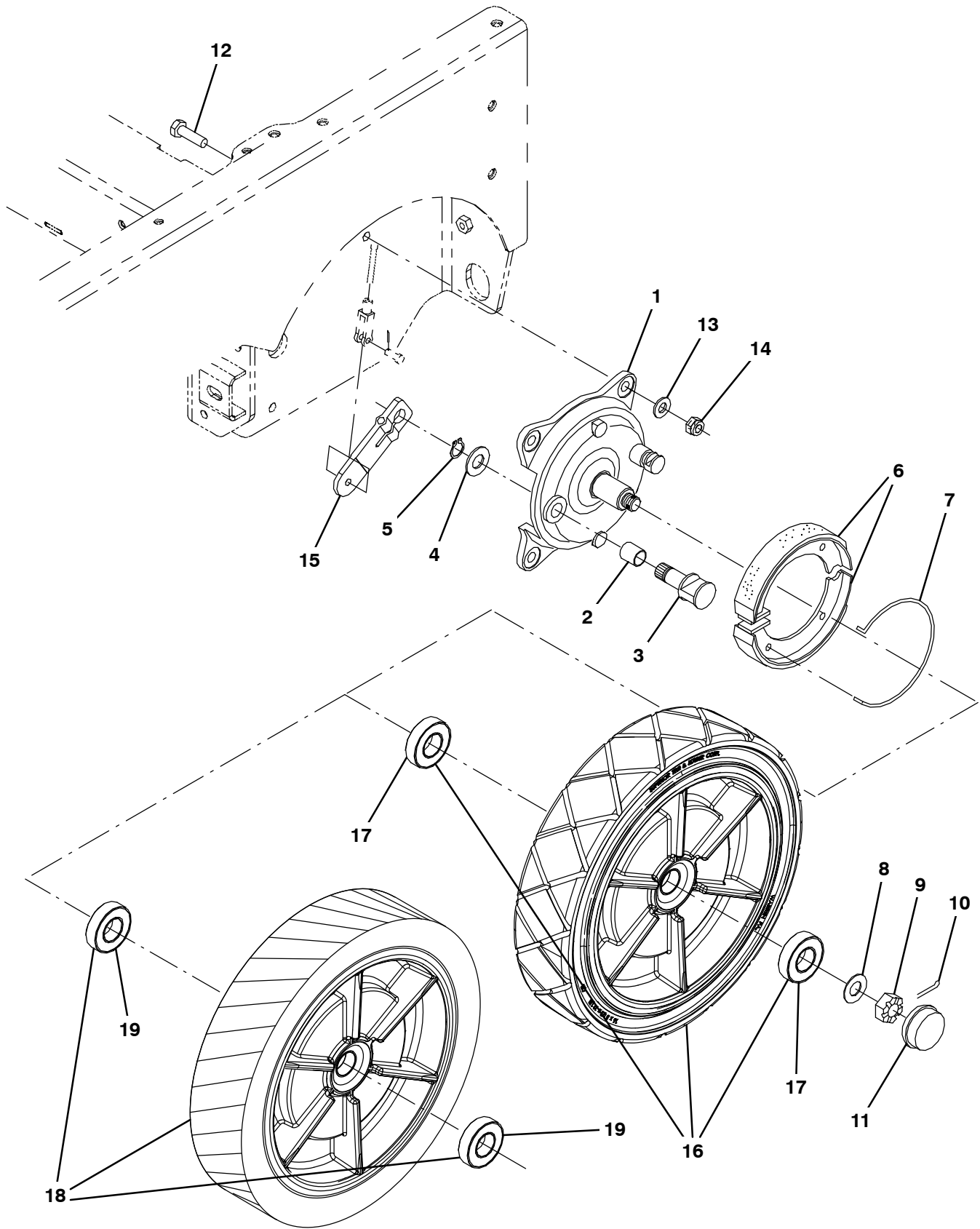


Fig. 44 – Wheel Group, Rear

	Ref.	Part No.	Serial Number	Description	Qty.
▽		360023	(000000–) Brake Assy, Drum, Mech, 07.0d 1.2w	2
▲	1	360270	(000000–) Plate, Backing, Brake	1
▲	2	360271	(000000–) Bushing, Sleeve, 0.78b 0.86d 0.93l, Bnz	1
▲	3	360272	(000000–) Cam, Plt, Brake [Nickel]	1
▲	4	360273	(000000–) Washer, Flat, M21.0b X 37d X 3	1
▲	5	360274	(000000–) Retainer, Ring, Brake	1
▲	6	360275	(000000–) Shoe, Brake, 180 X 30mm	2
▲	7	360276	(000000–) Spring, Wir, 0.25d, Return, Brake	1
	8	49145	(000000–) Washer, Flat, 0.76b 1.50d .06, Ss	2
	9	86659	(000000–) Nut, Hex, Sltd, .75–16	2
	10	08171	(000000–) Pin, Cotter, .156 X 2.00	2
	11	54390	(000000–) Cap, Hub, Dust 2.57d 0.77l	2
	12	06969	(000000–) Screw, Hex, M12 X 1.75 X 40, 8.8	8
	13	32486	(000000–) Washer, Flat, 0.50 Sae	8
	14	08711	(000000–) Nut, Hex, Lock, M12 X 1.75,NI	8
	15	360802	(000000–) Arm, Lever, Brake, 4.1 [Knott]	2
▽	16	1059671	(000000–) Tire, Idler, Scrbr, Blk, 16.0X3.5	2
▲	17	360074	(000000–) Bearing, Ball, 1.18b 2.44d 0.63w	2
▽	16	1059347	(000000–) Tire, Idler, Scrbr, Non–Skid, 16.0x3.5 (Optional)	2
▲	17	360074	(000000–) Bearing, Ball, 1.18b 2.44d 0.63w	2
▽	18	1061974	(000000–) Tire, Idler, Scrbr, Pu, Grey, 16.0X3.5 (Optional Polyurethane)	2
▲	19	360074	(000000–) Bearing, Ball, 1.18b 2.44d 0.63w	2

Fig. 45 - Brake Pedal Linkage Group

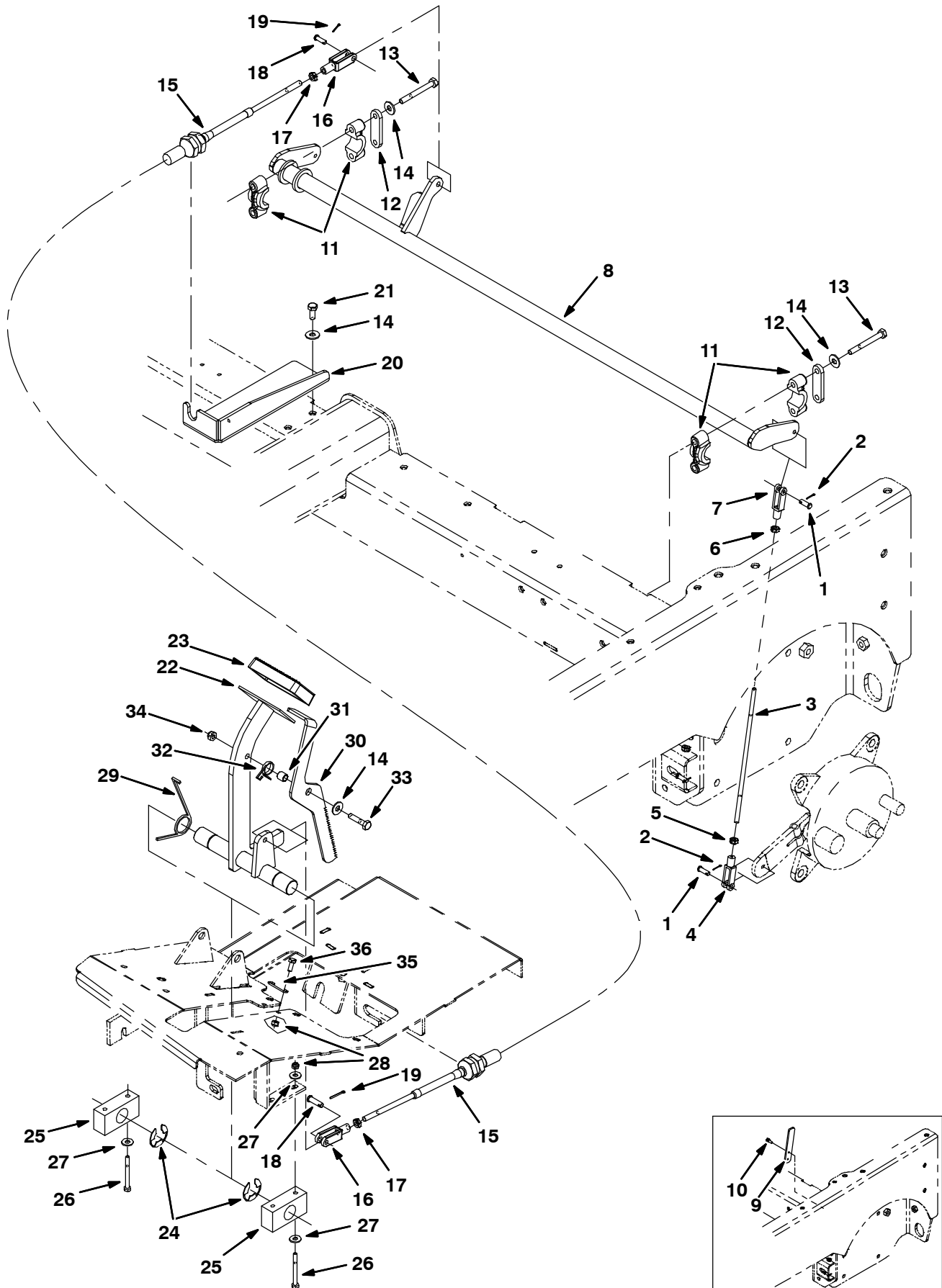


Fig. 45 – Brake Pedal Linkage Group

Ref.	Part No.	Serial Number	Description	Qty.
1	14605	(000000–) Pin, Clevis, 0.25d X 0.75l	4
2	08170	(000000–) Pin, Cotter, .062 X 0.50	4
3	364347	(000000–) Rod	2
4	14595–1	(000000–) Clevis, Adj, 0.25 Pin, 0.25–28 Rh, Pl	2
5	364948	(000000–) Nut, Hex, Std, .25–28, Lh	2
6	01714	(000000–) Nut, Hex, Std, .25–28	2
7	364864	(000000–) Clevis, Adj, 0.25pin, 0.25–28left Pl	2
8	1022031	(000000–) Shaft Wldt, Brake	1
9	1026025	(000000–007328) Plate, Stop, Brake	2
10	361339	(000000–007328) Screw, Hex, M6 X 1.0 X 16, Fmg	4
11	381502	(000000–) Bearing, Split, 1.00b	4
12	382224	(000000–) Plate, Sppt	2
13	39279	(000000–) Screw, Hex, M8 X 1.25 X 70, 8.8	4
14	32491	(000000–) Washer, Flat, 0.31, Std	7
15	1025495	(000000–) Cable, Push / Pull, 063.0l 4.0, .31–24	1
16	58311	(000000–) Clevis, Adj, 0.31pin, 0.31–24	2
17	20170	(000000–) Nut, Hex, Jam, .31–24	2
18	69582	(000000–) Pin, Clevis, 0.31d X 1.00l	2
19	08179	(000000–) Pin, Cotter, .094 X 1.00	2
20	1022736	(000000–) Bracket, Mtg, Cable	1
21	16931	(000000–) Screw, Hex, M8 X 1.25 X 20, 8.8	2
22	1022243	(000000–) Shaft Wldt, Pedal, Brake	1
23	51109	(000000–) Pad, Pedal, Brake, 3.96l 2.36w 0.75	1
24	23788	(000000–) Ring, Retaining, Ext, 0.98d, [E–Ring]	2
25	86751	(000000–) Bearing, Pillowblock, 1.02b [Solid Pye]	2
26	06548	(000000–) Screw, Hex, M6 X 1.0 X 60, 8.8	4
27	32490	(000000–) Washer, Flat, 0.25 Std	8
28	08708	(000000–) Nut, Hex, Lock, M6 X 1.0, NI	6
29	54607	(000000–) Spring, Tors, 1.13id .12wir 02.3coil Rh	2
30	1025487	(000000–) Pedal, Brake, Lock	1
31	46563	(000000–) Bushing, Sleeve, 0.37b 0.50d 0.50l, Oib	1
32	59009	(000000–) Spring, Tors, 0.75id .06wir 02.8coil	1
33	06955	(000000–) Screw, Hex, M8 X 1.25 X 35, 8.8	1
34	08709	(000000–) Nut, Hex, Lock, M8 X 1.25, NI	1
35	71367	(000000–) Spring, Wir, 0.08d, Brake, Parking	1
36	06942	(000000–) Screw, Hex, M6 X 1.0 X 16, 8.8	2

Fig. 46 - Directional Pedal Group

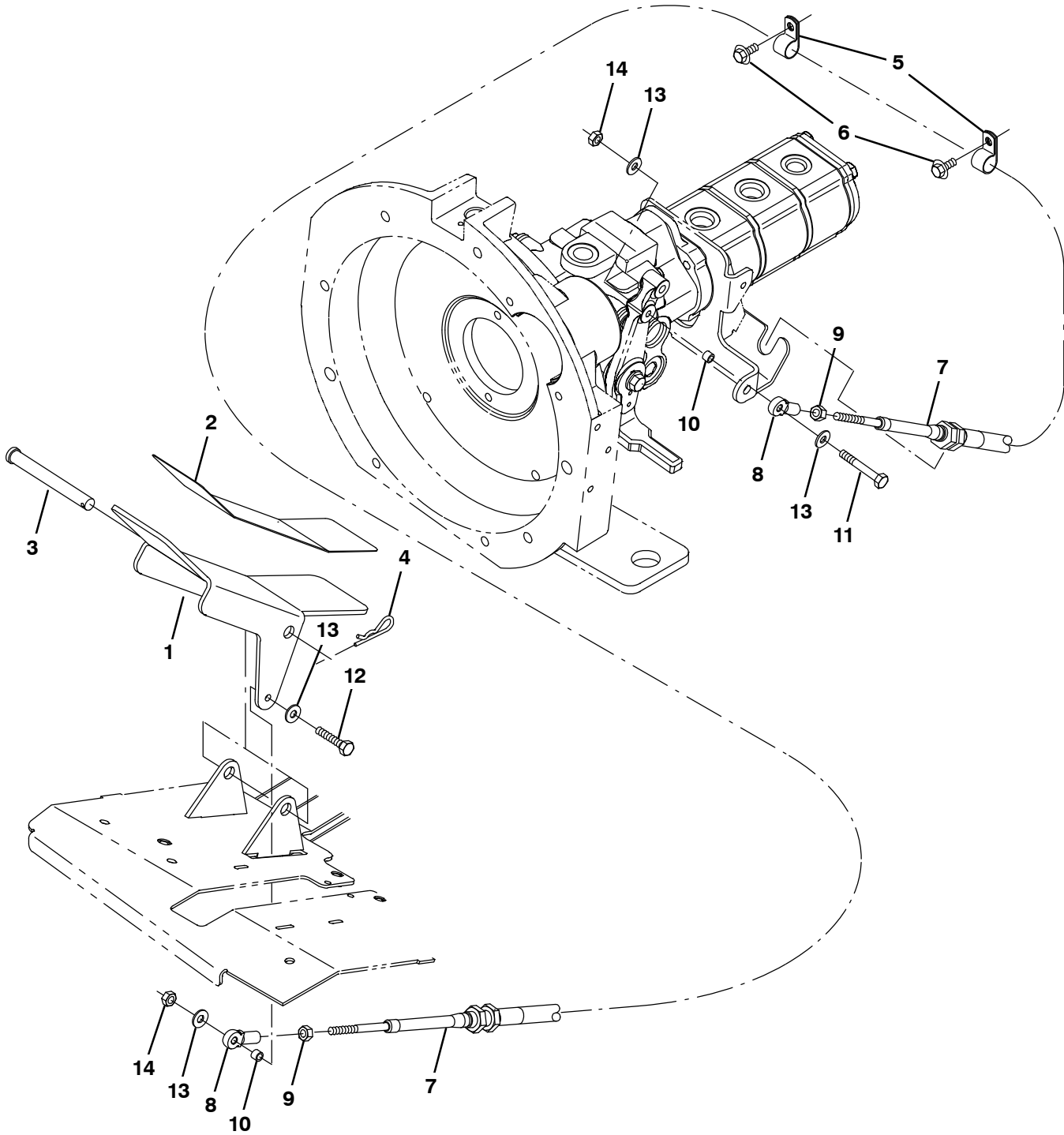


Fig. 46 – Directional Pedal Group

Ref.	Part No.	Serial Number	Description	Qty.
1	1025140	(000000–) Pedal, Propel	1
2	58819	(000000–) Tread, Non–Skid, 03.0w 11.6l	1
3	59668	(000000–) Pin, Clevis, 0.50 D X 4.50l	1
4	08182	(000000–) Pin, Cotter, .125 X 1.00	1
5	67767	(000000–) Clamp, Cable, Stl, 0.69d X 0.62w, 1h	2
6	361339	(000000–) Screw, Hex, M6 X 1.0 X 16, Fmg	2
7	1022345	(000000–) Cable, Push / Pull, 098.0l .25–28/.25–28	1
8	68866	(000000–) Rod–End, .25–28rh Fem 0.25b [Teflon]	2
9	01714	(000000–) Nut, Hex, Std, .25–28	2
10	65441	(000000–) Tube, 00.38d 00.26b 00.3l Stl Plt	2
11	41399	(000000–) Screw, Hex, .25–20 X 2.25, Ss	1
12	42180	(000000–) Screw, Hex, .25–20 X 1.75, Ss	1
13	32490	(000000–) Washer, Flat, 0.25 Std	4
14	41169	(000000–) Nut, Hex, Lock, .25–20, NI, Ss	2

Fig. 47 – Hydraulic Pump Linkage Group

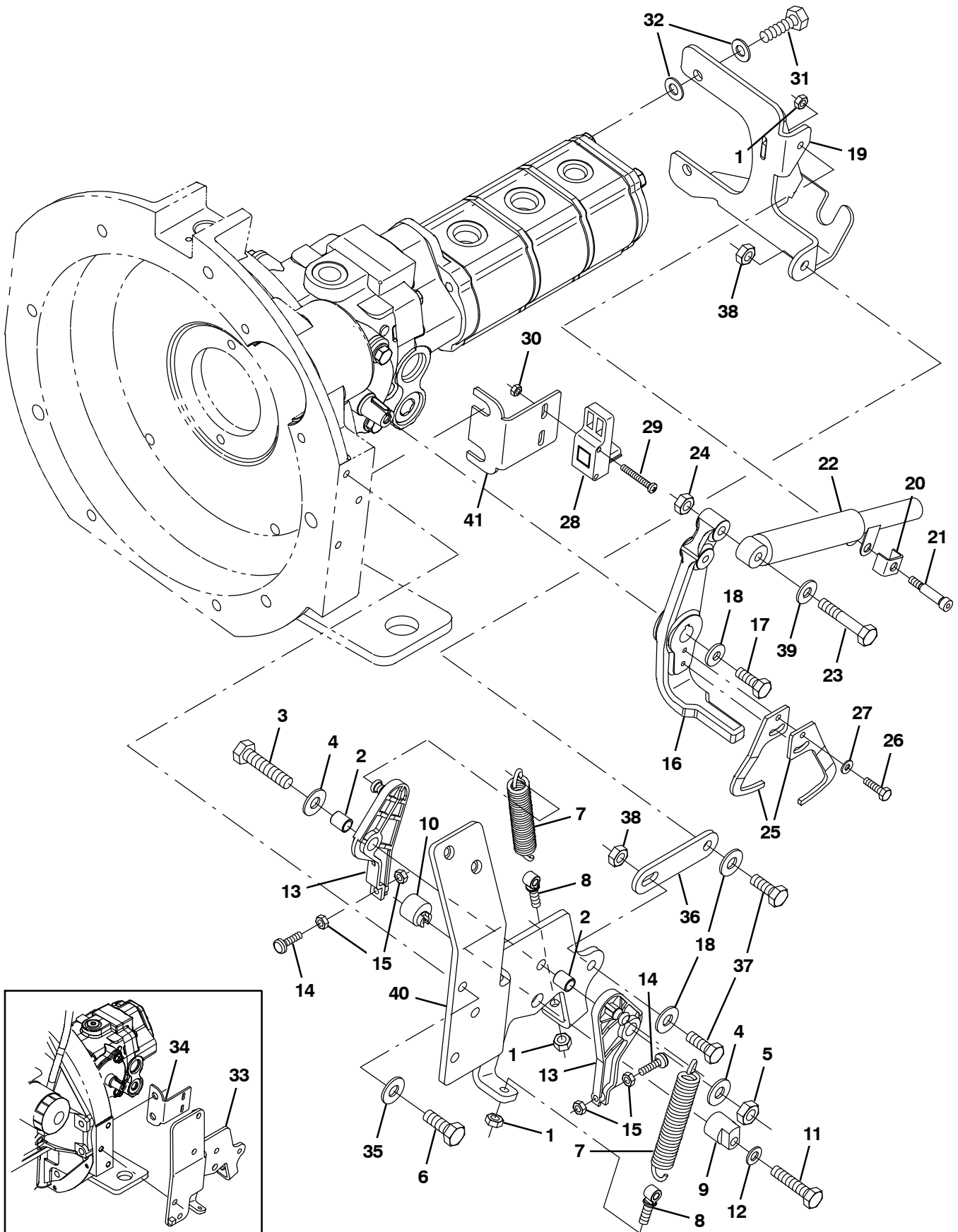


Fig. 47 – Hydraulic Pump Linkage Group

Ref.	Part No.	Serial Number	Description	Qty.
1	41169	(000000–)	Nut, Hex, Lock, .25–20, NI, Ss	3
2	63234	(000000–)	Tube, 00.50d 00.38b 00.6l Stl	2
3	42467	(000000–)	Screw, Hex, .38–16 X 2.00, Ss	1
4	32492	(000000–)	Washer, Flat, 0.38 Std	2
5	36643	(000000–)	Nut, Hex, Lock, .38–16, NI, Thin	1
6	21197	(000000–)	Screw, Hex, .38–16 X 1.00, 5	2
7	11842	(000000–)	Spring, Extn, 0.75od X 0.12wir, 4.3l	2
8	48079	(000000–)	Bolt, Eye, .25–20 X 1.40 X .25 Eye	1
9	53947	(000000–)	Cam, Centering, Pintle	1
10	54655	(000000–)	Cam, Centering, Pintle	1
11	74440	(000000–)	Screw, Hex, M8 X 1.25 X 40, Ss, NI	1
12	39349	(000000–)	Washer, Flat, 0.31 Sae	1
13	53953	(000000–)	Arm, Cntrl, Pintle, Centering	2
14	54205	(000000–)	Bumper, Rbr, 0.5d 0.16t M5 X 08	2
15	50335	(000000–)	Nut, Hex, Std, M5 X 0.8, 8	4
16	1027233	(000000–)	Arm, Pintle	1
17	83879	(000000–)	Screw, Hex, .31–24 X 0.75, NI	1
18	41186	(000000–)	Washer, Belleville, .31	3
19	1027313	(000000–)	Bracket Wldt, Propel, Pintle	1
20	84170	(000000–)	Bracket, Retainer, Safety	1
21	16213	(000000–)	Bolt, Shld, .31d X 1.00, .25–20	1
22	73411	(000000–)	Shock Absorber, 2.3 Strk	1
23	39278	(000000–)	Screw, Hex, M8 X 1.25 X 50, 8.8	1
24	08709	(000000–)	Nut, Hex, Lock, M8 X 1.25, NI	1
25	1022787	(000000–)	Arm [Positioning]	2
26	09252	(000000–)	Screw, Hex, M5 X 0.8 X 20, 8.8	2
27	01683	(000000–)	Washer, Flat, #10 Ss	2
28	1022779	(000000–)	Sensor, Spd / Dir, 6–30vdc	1
29	09198	(000000–)	Screw, Pan, M4 X 0.7 X 35, Ss	2
30	33932	(000000–)	Nut, Hex, Lock, M4 X 0.7, NI, Ss	2
31	46559	(000000–)	Screw, Hex, .38–16 X 1.25, NI	2
32	32485	(000000–)	Washer, Flat, 0.38 Sae	4
33	1022140	(000000–005999)	Bracket, Propel, Gas/Lpg	1
34	1022798	(000000–005999)	Bracket, Mtg, Cyl	1
35	41187	(000000–)	Washer, Flat, Belleville, .38	2
36	1032399	(000000–)	Strap, Sppt	1
37	09010	(000000–)	Screw, Hex, M8 X 1.25 X 25, Ss	2
38	08713	(000000–)	Nut, Hex, Lock, M8 X 1.25, NI, Ss	2
39	32490	(000000–)	Washer, Flat, 0.25 Std	1
40	1070798	(006000–)	Bracket, Propel, G/Lpg [Mit 2013]	1
41	1070819	(006000–)	Angle, Mtg	1

Fig. 48 - Hopper Lift Arms Group

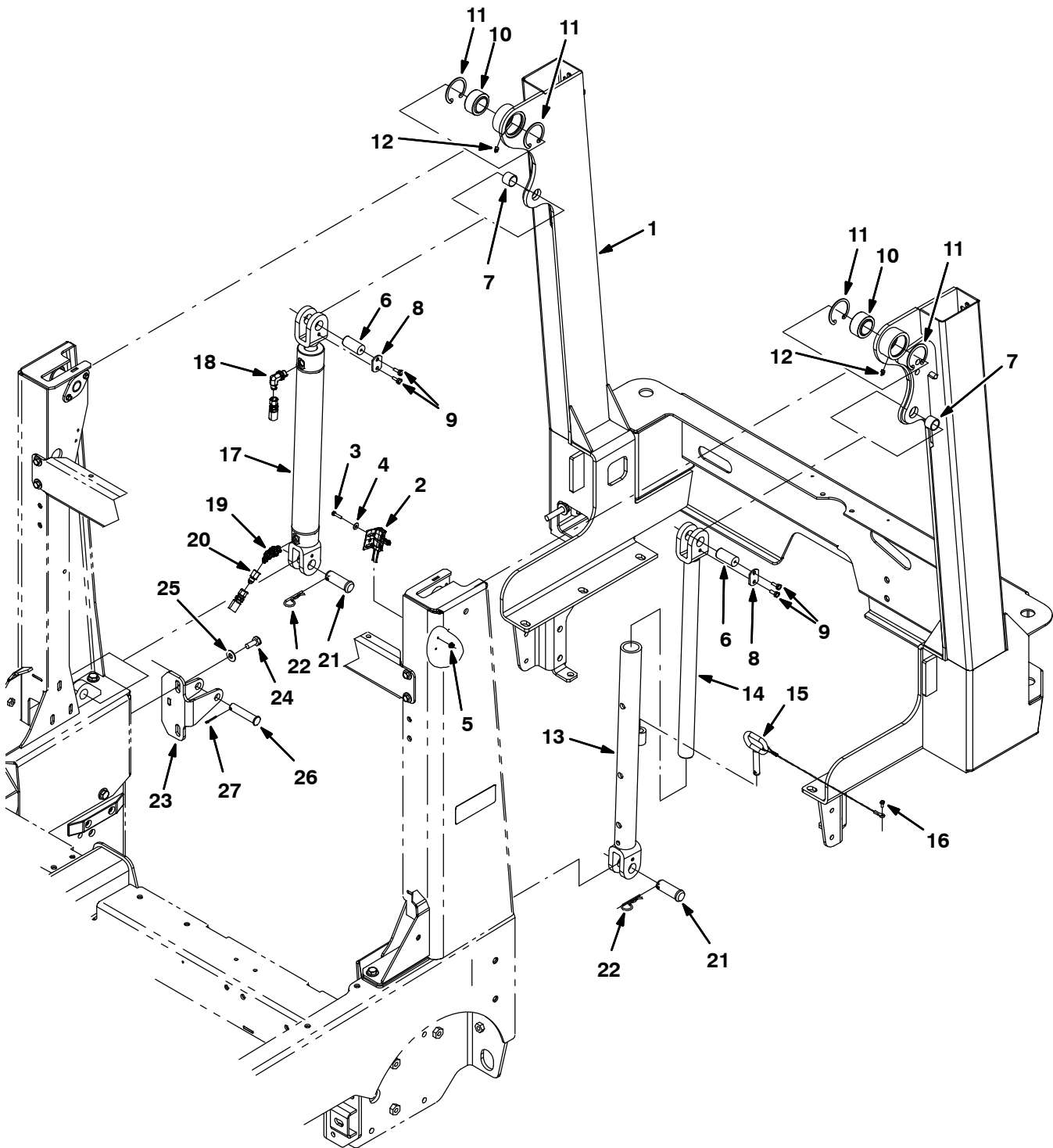


Fig. 48 – Hopper Lift Arms Group

Ref.	Part No.	Serial Number	Description	Qty.
1	1018241	(000000-004292)	Frame Wldt, Lift, Hppr	1
1	1069933	(004293-)	Frame Wldt, Lift, Hppr	1
2	23211	(000000-)	Switch, Snap, 15a No, Rlr	1
3	09252	(000000-)	Screw, Hex, M5 X 0.8 X 20, 8.8	2
4	19066	(000000-)	Washer, Flat, #10	2
5	07789	(000000-)	Nut, Hex, Flng, M5 X 0.8	2
6	1018226	(000000-)	Pin, 0.87d 01.8l, 1/M6 X 1.0, 1cham,Stl	2
7	364587	(000000-)	Bushing, Sleeve, 0.88b 1.00d 0.75l, Bnz	2
8	72897	(000000-)	Plate, Pin, Clevis, Upper	2
9	1040467	(000000-)	Screw, Hex, M6 X 1.0 X 20, 9.8, Sems	4
10	42120-1	(000000-)	Bearing, Self Align, 1.25b 2.00d	2
11	59542	(000000-)	Ring, Retaining, Int, 2.00d	4
12	07259	(000000-)	Fitting, Grease, Str Pm04 .47l	2
13	1018260	(000000-)	Tube Wldt, Arm, Safety	1
14	1018262	(000000-)	Rod Wldt, Arm, Safety	1
15	1018266	(000000-)	Pin, Arm, Safety	1
16	16944	(000000-)	Screw, Hex, M4 X 0.7 X 10, Fmg	1
17	1029646	(000000-)	Cylinder, Hyd, 2.0B 24.1L 15.00Strk 3000	1
18	47638	(000000-)	Fitting, Hyd, E90, Jm04/Om06	1
19	393215	(000000-)	Fitting, Hyd, E45, Jm04/Om06	1
20	1025904	(000000-)	Fitting, Hyd, Rst, Jf04/Jm04, .028	1
21	1018227	(000000-)	Pin, Clevis, 0.88d X 2.25l	2
22	02942	(000000-)	Pin, Cotter, Hair, 0.62d .120 Wir	2
23	1018275	(000000-)	Plate Wldt, Arm, Stop	1
24	09028	(000000-)	Screw, Hex, M10 X 1.5 X 25, Ss	2
25	01686	(000000-)	Washer, Flat, 0.44b 1.00d .08, Ss	2
26	1018276	(000000-)	Pin, Clevis, 0.62d X 2.91l	1
27	08179	(000000-)	Pin, Cotter, .094 X 1.00	1

Fig. 49 - Hopper and Debris Screen Group

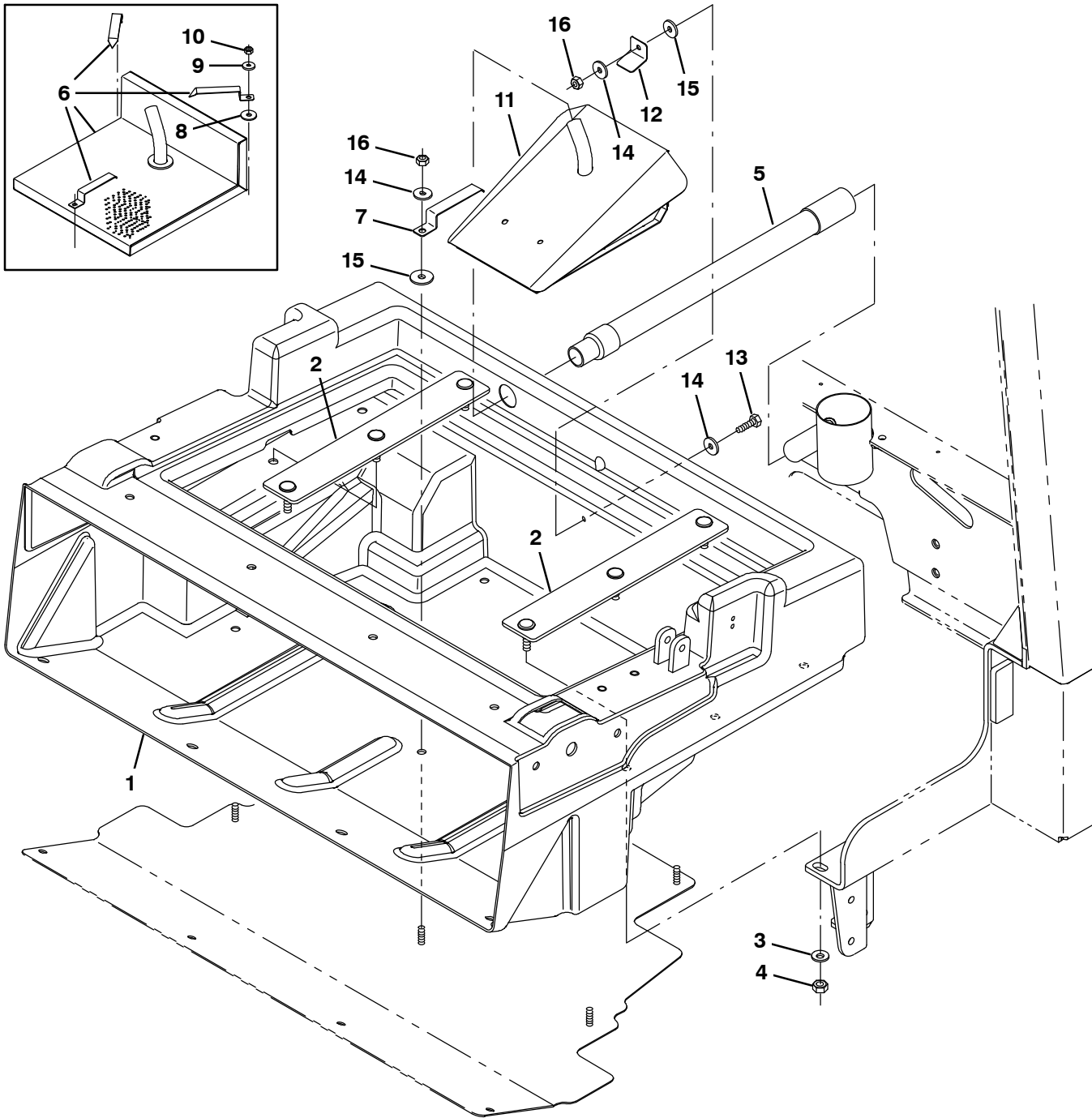


Fig. 49 – Hopper and Debris Screen Group

Ref.	Part No.	Serial Number	Description	Qty.
1	1018300	(000000–) Hopper, Debris, Rm–Hg, Trimmed	1
2	1018272	(000000–) Bar, Mtg, Hppr	2
3	763042	(000000–) Washer, Flat, Belleville, M10	6
4	08714	(000000–) Nut, Hex, Lock, M10 X 1.5, NI, Ss	6
5	1018239	(000000–) Hose Assy, W/1cuff, 1.0d 09l 1.0/	1
6	9003774	(000000–002280) Screen Kit, Hppr, Replmt [M20]	1
7	1044323	(002281–) Spring, Flat, Retainer, Angled Screen	1
8	222268	(000000–002280) Washer, Flat, 0.38b 1.25d .12, Neo	3
9	1017218	(000000–002280) Washer, Flat, 0.32b 1.00d .12, Ss	3
10	08713	(000000–002280) Nut, Hex, Lock, M8 X 1.25, NI, Ss	3
11	1039163	(002281–) Screen Wldt, Hppr	1
12	1039215	(002281–) Angle, Retainer	1
13	09010	(002281–) Screw, Hex, M8 X 1.25 X 25, Ss	1
14	1017218	(002281–) Washer, Flat, 0.32b 1.00d .12, Ss	3
15	222268	(002281–) Washer, Flat, 0.38b 1.25d .12, Neo	2
16	08713	(002281–) Nut, Hex, Lock, M8 X 1.25, NI, Ss	2

Fig. 50 – Hopper Cover and Dust Filter Group

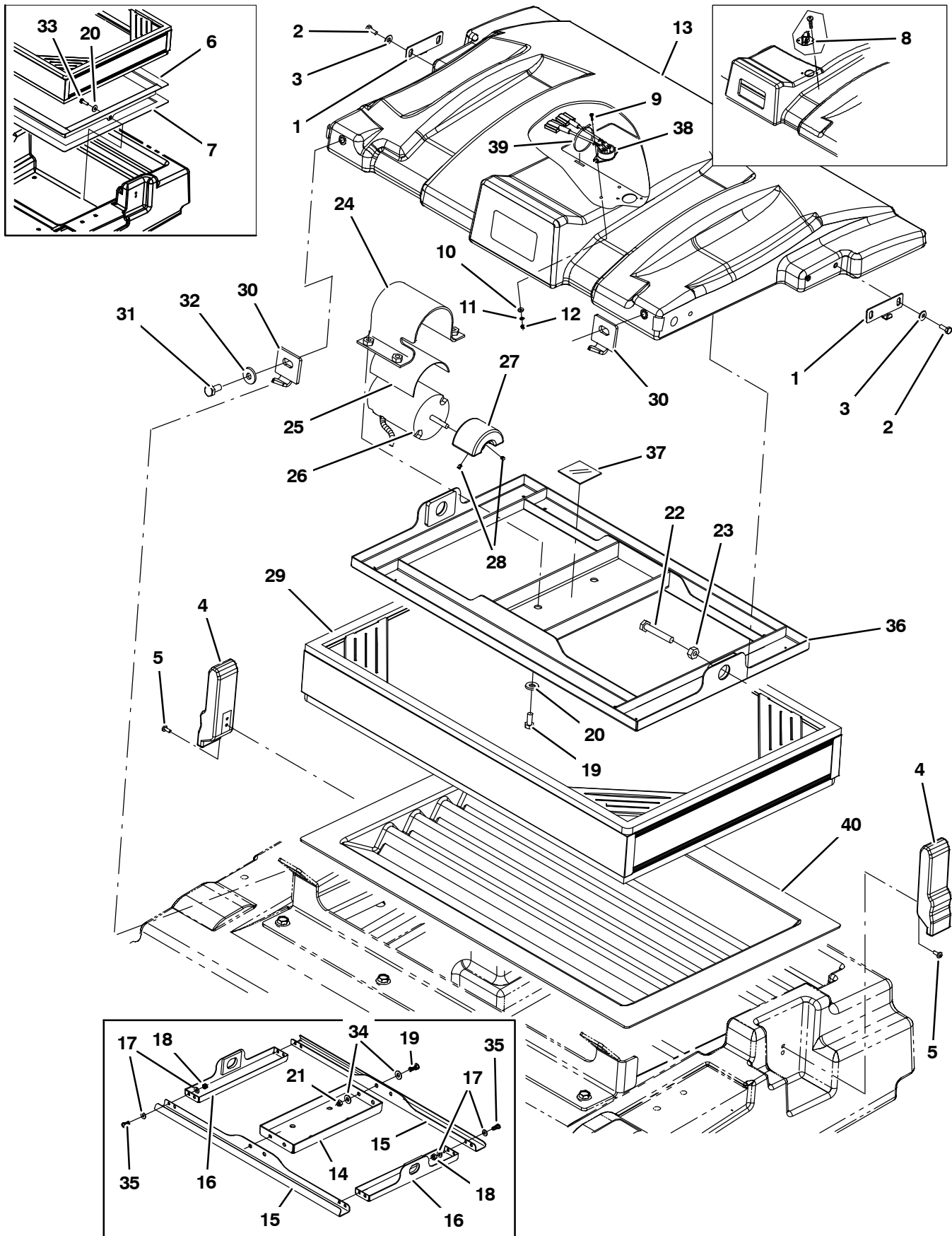


Fig. 50 – Hopper Cover and Dust Filter Group

Ref.	Part No.	Serial Number	Description	Qty.
1	1041984	(000000–)	Bracket, Cover, Hppr	2
2	15678	(000000–)	Screw, Hex, M6 X 1.0 X 16, Ss	4
3	01684	(000000–)	Washer, Flat, 0.25, Ss	4
4	360824	(000000–)	Latch	2
5	09200	(000000–)	Screw, Pan, M5 X 0.8 X 12, Ss	4
6	1033591	(000000–002048)	Tray Wldt, Perma–filter (Replaced By none)	1
7	1015220	(000000–002048)	Seal, Afrmkt, Ure, Adh, 0.38, 0.75w 08ft (Replaced By none)	1
8	9003444	(000000–002040)	Sensor Kit, Repair [Thermo–Sentry, M20]	1
9	06922	(000000–)	Screw, Pan, M3 X 0.5 X 20, 4.8	2
10	19064	(000000–)	Washer, Flat, #06	2
11	32975	(000000–)	Washer, Lock, Int, #06	2
12	01754	(000000–)	Nut, Hex, Std, M3 X 0.5, 8	2
13	1041006	(000000–)	Cover, Hppr	1
14	1018203	(000000–001356)	Plate, Shakr	1
15	360952	(000000–001356)	Plate, Shakr, Bar	2
16	1017944	(000000–001356)	Plate Wldt, Shakr, Side	2
17	32483	(000000–001356)	Washer, Flat, 0.25 Sae	16
18	08712	(000000–001356)	Nut, Hex, Lock, M6 X 1.0, Ss, NI	8
19	09740	(000000–)	Screw, Hex, M8 X 1.25 X 20, Ss	8
20	01685	(000000–)	Washer, Flat, 0.31, Ss	6
21	08713	(000000–)	Nut, Hex, Lock, M8 X 1.25, NI, Ss	4
22	06957	(000000–002040)	Screw, Hex, M8 X 1.25 X 60, 8.8	2
22	06963	(002041–)	Screw, Hex, M10 X 1.50 X 60, 8.8	2
23	39311	(000000–002040)	Nut, Hex, Std, M8 X 1.25	2
23	39312	(002041–)	Nut, Hex, Std, M10 X 1.50	2
24	1037671	(000000–)	Strap, Mtg, Motor, .124.00W	1
25	36658	(000000–)	Strip, Rbr, 0.06 04.00w 05.0l Neo/60	1
26	1041920	(000000–003408)	Motor, Ele [12vdc, Shaker]	1
26	1059542	(003409–)	Motor, Ele 12Vdc, Shakr	1
27	1049242	(000000–003408)	Weight, Eccentric	1
27	1053320	(003409–)	Weight, Eccentric	1
28	20634	(000000–)	Screw, Set, #10–24 X 0.25, NI	2
29	1048295AM	(000000–)	Filter, Panl, Syn, 4.2 X 20.0 X 30.0	1
30	1018207	(000000–)	Bar, Mtg, Hppr Cover	2
31	09291	(000000–)	Screw, Hex, M10 X 1.5 X 20, Ss	2
32	1014563	(000000–)	Washer, Flat, 0.40b 1.12d .12, Ss	2
33	39277	(000000–)	Screw, Hex, M8 X 1.25 X 25, 8.8	2
34	01685	(000000–001356)	Washer, Flat, 0.31, Ss	8
35	15678	(000000–001356)	Screw, Hex, M6 X 1.0 X 16, Ss	8
36	1037235	(001357–)	Shaker Wldt	1
37	36661	(001357–)	Strip, Rbr, 0.06 01.00W 04.0L	1
38	1036611	(002041–003478)	Switch, Temp [160F]	1
38	1056298	(003479–)	Switch, Temp, Sealed, Nc	1
39	763116	(002041–)	Tie, Cable, Nyl, 15.3L . W 4.5 Max D	1
40	1037947	(002140–)	Tray, Perma–Filter	1

Fig. 51 – Hopper Bumper Group

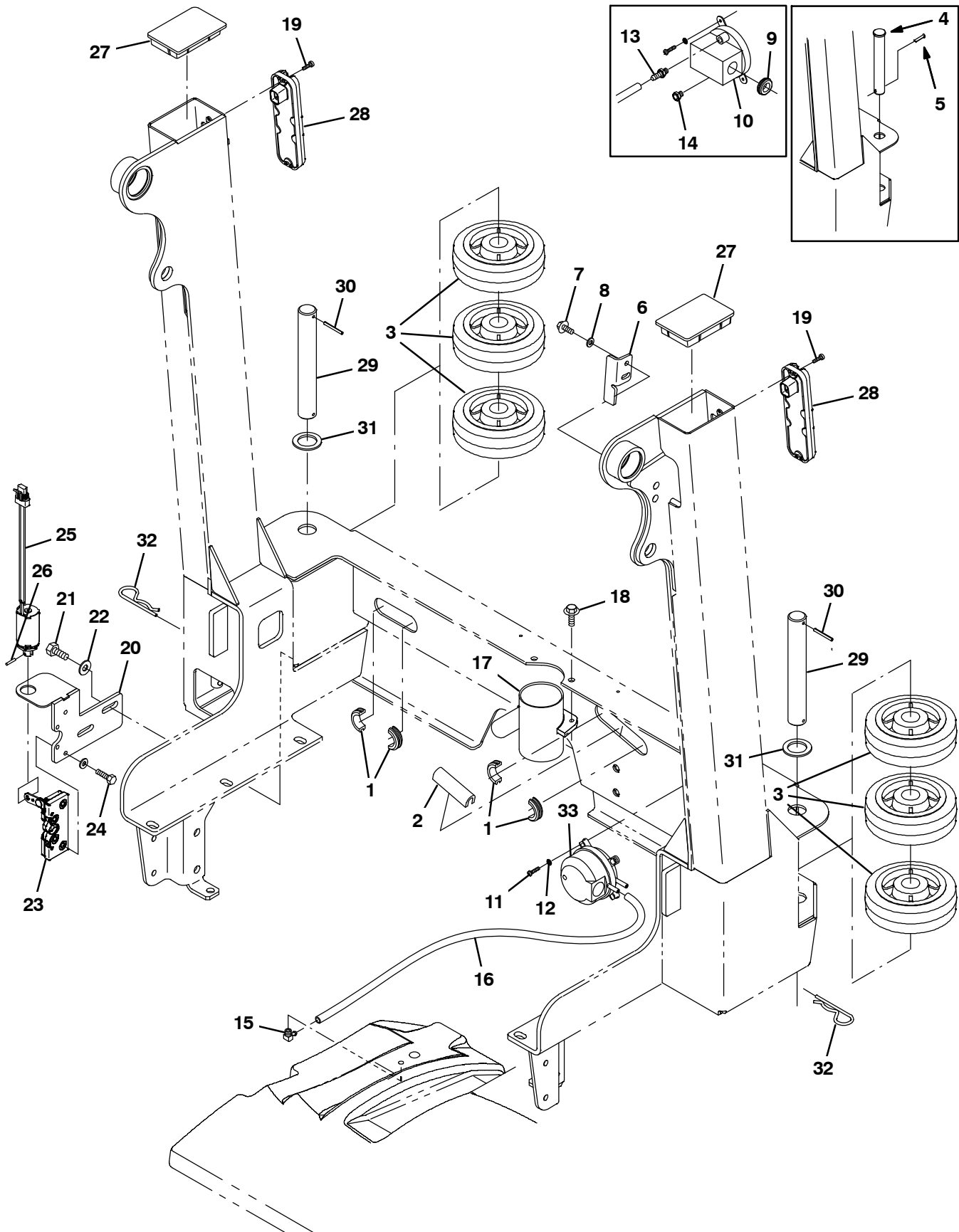


Fig. 51 – Hopper Bumper Group

Ref.	Part No.	Serial Number	Description	Qty.
1	10632-1	(000000-007328)	Grommet, Rbr, 1.06id, F/1.4h, .19 Matl	2
1	10632-13	(007328-	Grommet, Rbr, 1.50id, F/1.8h, .19 Matl	2
2	50646	(000000-	Molding, Trim, Pvc,.18-.31 07.5l	1
3	1021047	(000000-	Wheel, 06.0d 2.00w 1.19b, Gray Rbr	6
4	9006334	(000000-003062)	Pin Kit, Wheel, Ci [M20/T20/M30]	2
5	08171	(000000-003062)	Pin, Cotter, .156 X 2.00	2
6	1018240	(000000-	Bracket, Mtg, Switch	1
7	361339	(000000-	Screw, Hex, M6 X 1.0 X 16, Fmg	2
8	32483	(000000-	Washer, Flat, 0.25 Sae	2
9	10632-4	(000000-003259)	Grommet, Rbr, 0.62id, F/0.9h, .06 Matl	1
10	39924	(000000-003259)	Switch, Press, Spdt 0008psi	1
11	12323	(000000-	Screw, Pan, M4 X 0.7 X 20, Ss	2
12	02938	(000000-	Washer, Lock, Int, #08, Ss	2
13	40607	(000000-003259)	Fitting, Brs, Str, Bm03/Pm02	1
14	82739	(000000-003259)	Fitting, Brs, Breather [02mp]	1
15	32183	(000000-	Fitting, Brs, E90, Pm02/Bm03	1
16	1031575	(000000-	Hose, Afmkt, Vacuum, 0.16id, 03ft	1
17	1036240	(000000-	Tube, Vacuum	1
18	1037346	(000000-	Screw, Hex, M8 X 1.25 X 25, 9.8, Sems	2
19	06928	(000000-	Screw, Pan, M4 X 0.7 X 20, 4.8	4
20	1018280	(000000-	Plate Wldt, Mtg, Solenoid	1
21	09028	(000000-007328)	Screw, Hex, M10 X 1.5 X 25, Ss	2
21	12309	(007328-	Screw, Hex, M12 X 1.75 X 30, Ss	2
22	32492	(000000-007328)	Washer, Flat, 0.38 Std	2
22	32486	(007328-	Washer, Flat, 0.50, Sae	2
23	21623	(000000-	Latch	1
24	06944	(000000-	Screw, Hex, M6 X 1.0 X 25, 8.8	4
25	1018274	(000000-	Solenoid, Pull, 12vdc, Damper	1
26	20021	(000000-	Pin, Roll, .125 D X 0.75l, .125/.129	1
27	1018293	(000000-	Cap, Arm, Lift	2
28	1018208	(000000-	Light, Tail, 12vdc	2
29	1053838	(003063-	Pin, 30mmd X 215mml	2
30	23146	(003063-	Pin, Roll, .187d X 1.62l, .187/.192	2
31	1062566	(003063-	Washer, Flat, 1.26B 1.88D .13, Stl, Pl	2
32	34411	(003063-	Pin, Cotter, Hair, 1.00d .178 Wir	2
33	1052885	(003260-	Switch, Press, Adj [4-16 In Wtr]	1

Fig. 52 - Hopper Door Group (00000-003061)

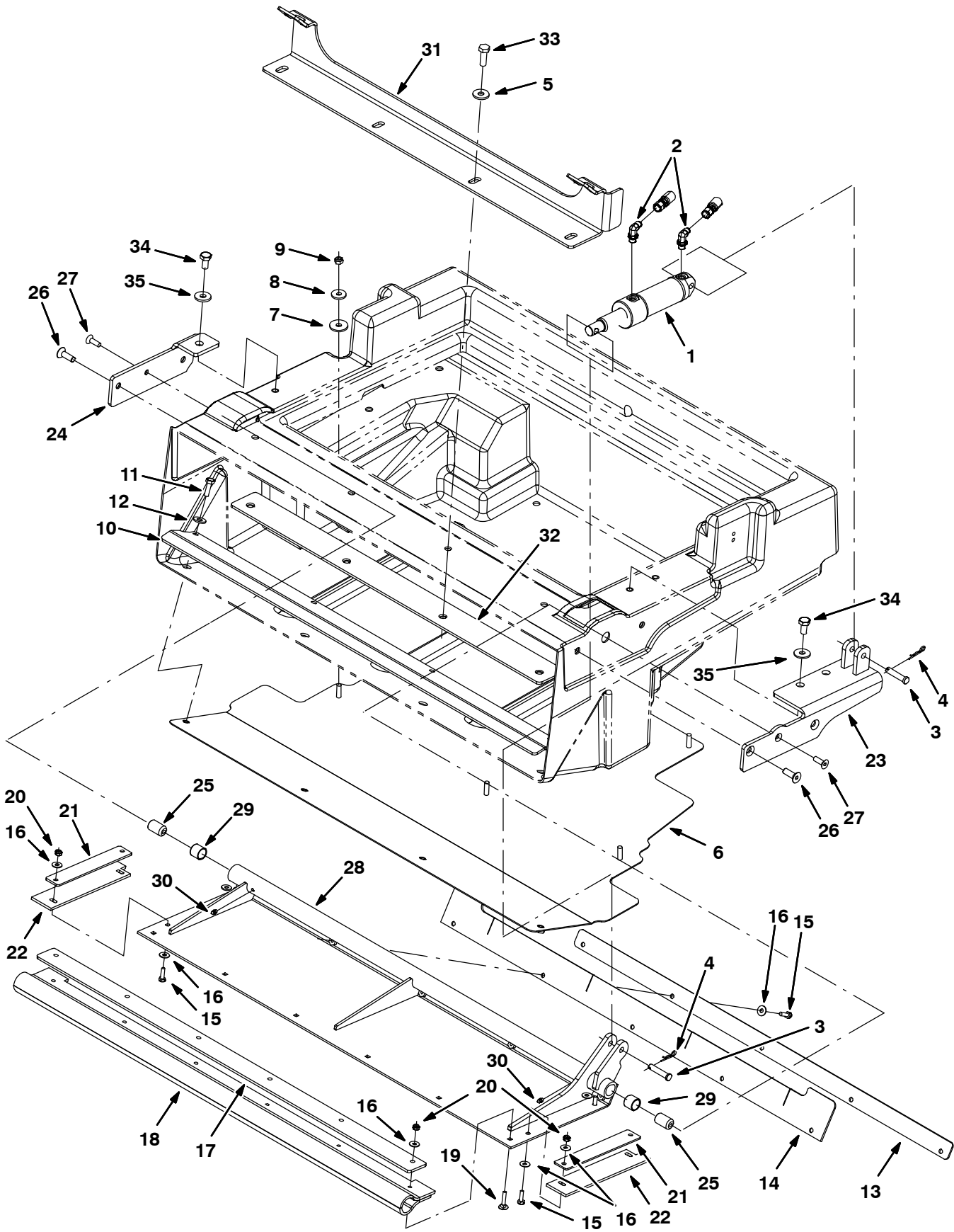


Fig. 52 – Hopper Door Group (000000–003061)

Ref.	Part No.	Serial Number	Description	Qty.
1	1038115	(000000–003061)	Cylinder, Hyd, 1.5b 07.8l 02.75strk 2500	1
2	77097	(000000–003061)	Fitting, Hyd, E90, Jm04/Om04	2
3	17461	(000000–003061)	Pin, Clevis, 0.37d X 1.75l	2
4	08179	(000000–003061)	Pin, Cotter, .094 X 1.00	2
5	1014563	(000000–003061)	Washer, Flat, 0.40b 1.12d .12, Ss	4
6	1018237	(000000–003061)	Plate, Bottom, Hppr	1
7	222268	(000000–003061)	Washer, Flat, 0.38b 1.25d .12, Neo	2
8	1017218	(000000–003061)	Washer, Flat, 0.32b 1.00d .12, Ss	2
9	08713	(000000–003061)	Nut, Hex, Lock, M8 X 1.25, NI, Ss	2
10	1018236	(000000–003061)	Bracket, Lip, Hppr	1
11	09010	(000000–003061)	Screw, Hex, M8 X 1.25 X 25, Ss	4
12	01685	(000000–003061)	Washer, Flat, 0.31, Ss	4
13	1018244	(000000–003061)	Strap, Door, Dump	1
14	1018245	(000000–003061)	Seal, Door, Dump	1
15	08716	(000000–003061)	Screw, Hex, M6 X 1.0 X 20, Ss	9
16	01684	(000000–003061)	Washer, Flat, 0.25, Ss	19
17	1018196	(000000–003061)	Plate, Retainer, Door, Dump	1
18	1018197	(000000–003061)	Seal, Door, Dump	1
19	379791	(000000–003061)	Bolt, Carriage, M06 X 1.0 X 30	6
20	08712	(000000–003061)	Nut, Hex, Lock, M6 X 1.0, Ss, NI	10
21	1018194	(000000–003061)	Strap, Door, Dump, Side	2
22	1018199	(000000–003061)	Seal, Door, Dump, Side	2
23	1018210	(000000–003061)	Bracket Wldt, Pivot, Hppr Door, Lh	1
24	1018202	(000000–003061)	Bracket, Pivot, Hppr Door, Rh	1
25	1018193	(000000–003061)	Bushing, Pivot, Door	2
26	395825	(000000–003061)	Screw, Flt, M10 X 1.5 X 30, Ss 18–8	4
27	07810	(000000–003061)	Screw, Flt, M8 X 1.25 X 25, 10.9	2
28	1016463	(000000–003061)	Door Wldt, Hppr	1
29	64379	(000000–003061)	Bushing, Sleeve, 0.75b 0.88d 0.75l, Tef	2
30	07259	(000000–003061)	Fitting, Grease, Str Pm04 .47l	2
31	1044993	(000000–003061)	Bracket, Cover, Hopper	1
32	1018253	(000000–003061)	Bracket, Cover	1
33	12317	(000000–003061)	Screw, Hex, M10 X 1.5 X 30, Ss	4
34	09291	(000000–003061)	Screw, Hex, M10 X 1.5 X 20, Ss	3
35	1014563	(000000–003061)	Washer, Flat, 0.40b 1.12d .12, Ss	3

Fig. 53 - Hopper Door Group (003062-)

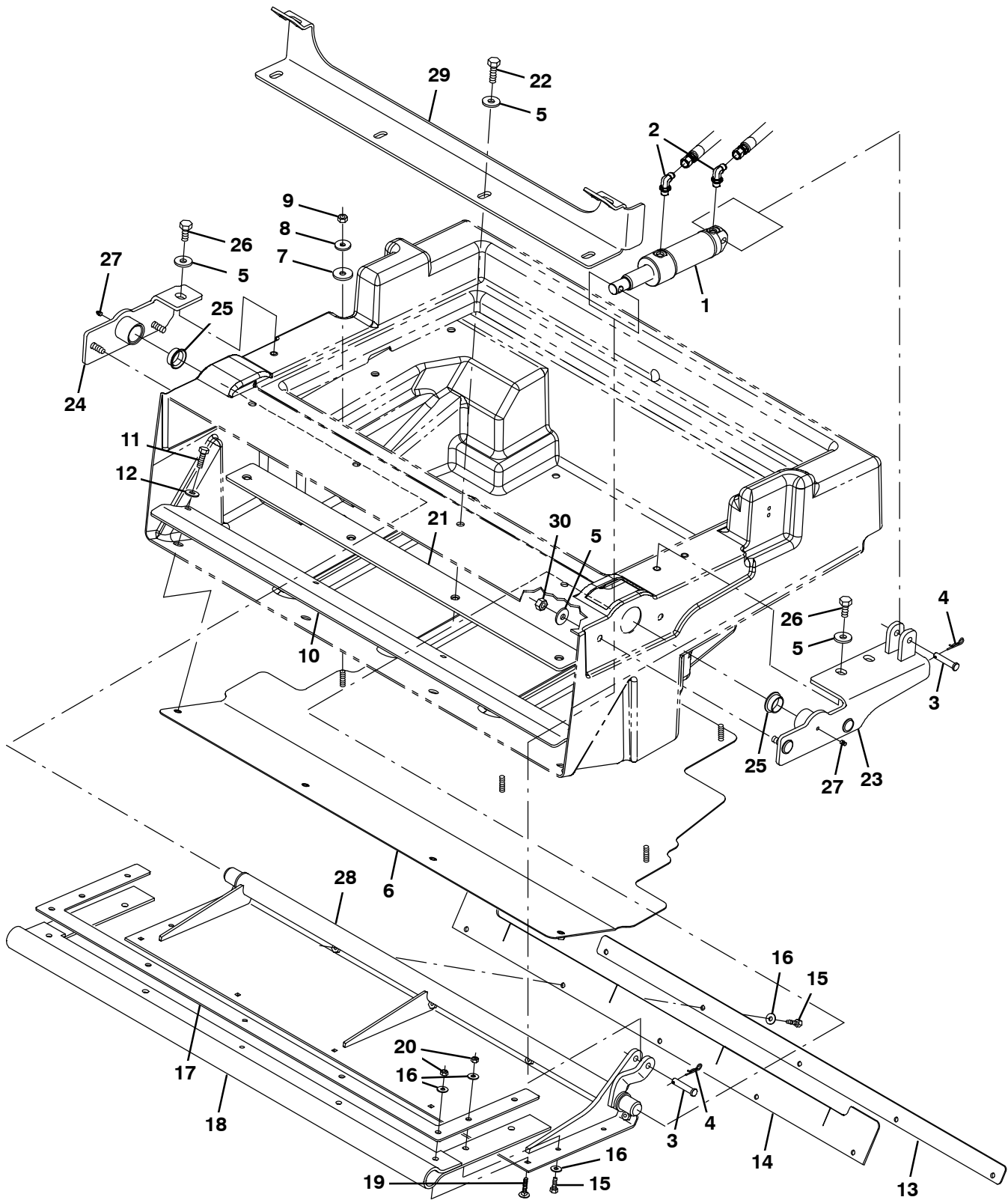


Fig. 53 – Hopper Door Group (003062–)

Ref.	Part No.	Serial Number	Description	Qty.
1	1038115	(003062–)	Cylinder, Hyd, 1.5b 07.8l 02.75strk 2500	1
2	77097	(003062–)	Fitting, Hyd, E90, Jm04/Om04	2
3	17461	(003062–)	Pin, Clevis, 0.37d X 1.75l	2
4	08179	(003062–)	Pin, Cotter, .094 X 1.00	2
5	1014563	(003062–)	Washer, Flat, 0.40b 1.12d .12, Ss	11
6	1018237	(003062–)	Plate, Bottom, Hppr	1
7	222268	(003062–)	Washer, Flat, 0.38b 1.25d .12, Neo	2
8	1017218	(003062–)	Washer, Flat, 0.32b 1.00d .12, Ss	2
9	08713	(003062–)	Nut, Hex, Lock, M8 X 1.25, NI, Ss	2
10	1018236	(003062–)	Bracket, Lip, Hppr	1
11	09010	(003062–)	Screw, Hex, M8 X 1.25 X 25, Ss	4
12	01685	(003062–)	Washer, Flat, 0.31, Ss	4
13	1039155	(003062–)	Strap, Door, Dump	1
14	1018245	(003062–)	Seal, Door, Dump	1
15	08716	(003062–)	Screw, Hex, M6 X 1.0 X 20, Ss	9
16	01684	(003062–)	Washer, Flat, 0.25, Ss	14
17	1039149	(003062–)	Plate, Retainer, Door, Dump	1
18	1039157	(003062–)	Seal, Door, Dump	1
19	379791	(003062–)	Bolt, Carriage, M06 X 1.0 X 30	5
20	08712	(003062–)	Nut, Hex, Lock, M6 X 1.0, Ss, NI	9
21	1018253	(003062–)	Bracket, Cover	1
22	12317	(003062–)	Screw, Hex, M10 X 1.5 X 30, Ss	4
23	1038123	(003062–)	Bracket Wldt, Pivot, Hppr Door, Lh	1
24	1038134	(003062–)	Bracket Wldt, Pivot, Hppr, Rh	1
25	367313	(003062–)	Bushing, Flng, 1.00b 1.13d 0.50l	2
26	09291	(003062–)	Screw, Hex, M10 X 1.5 X 20, Ss	3
27	07259	(003062–)	Fitting, Grease, Str Pm04 .47l	2
28	1039124	(003062–)	Door Wldt, Hppr	1
29	1044993	(003062–)	Bracket, Cover, Hopper	1
30	08714	(003062–)	Nut, Hex, Lock, M10 X 1.5, NI, Ss	4

Fig. 54 – Cylindrical Scrub Brush Drive Group, Left Side

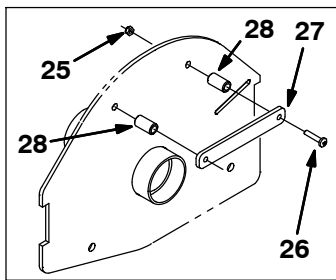
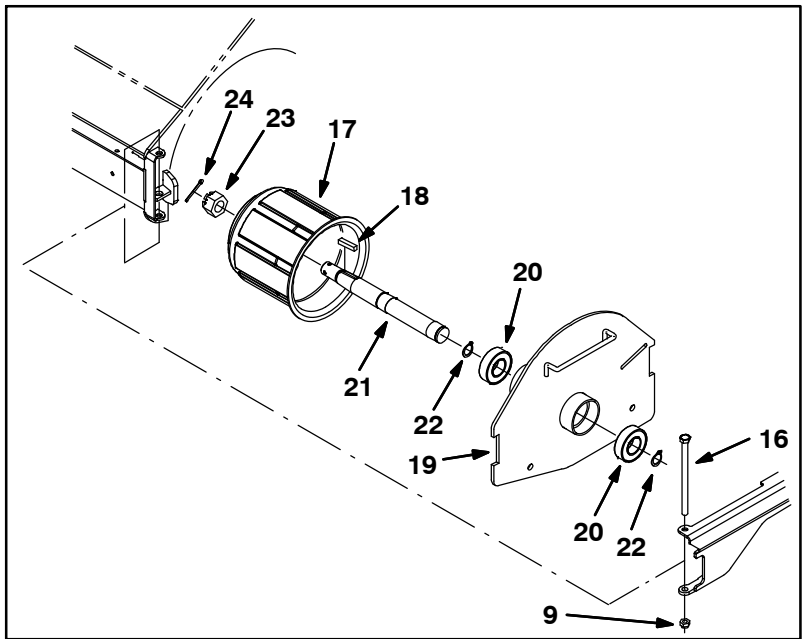
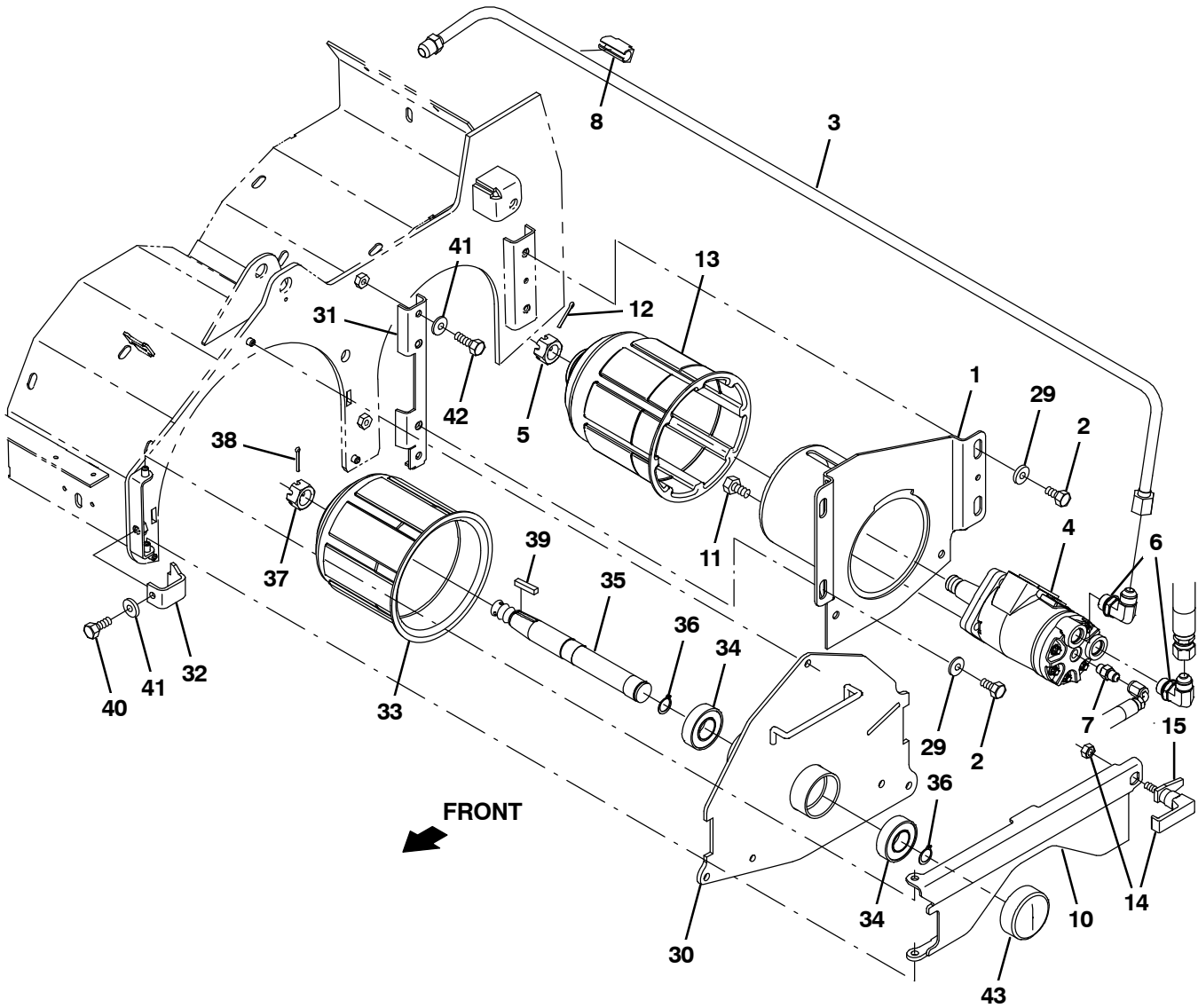


Fig. 54 – Cylindrical Scrub Brush Drive Group, Left Side

Ref.	Part No.	Serial Number	Description	Qty.
	1	1021019	(000000–) Housing Wldt, Brush, Drive	1
	2	15675	(000000–) Screw, Hex, M8 X 1.25 X 16, Ss	4
	3	1023617	(000000–) Tube, Hyd, 08 Jf08/Jm08	1
	4	71729	(000000–004190) Motor, Hyd, Gear, Int 04.5 Bi–Dir 1500 (See Breakdowns)	1
▽	4	1068811	(004191–) Motor, Hyd, Gear, Int 04.5 Bi–Dir 1500	1
▲	5	39527	(000000–) Nut, Hex, Sltd, .75–18	1
	6	44868	(000000–) Fitting, Hyd, E90, Jm08/Om08	2
	7	55586	(000000–) Fitting, Hyd, Str, Jm04/Om04	1
	8	1026080	(000000–) Clamp, Hyd, 0.50d	1
	9	08713	(000000–004185) Nut, Hex, Lock, M8 X 1.25, NI, Ss	1
	10	1029964	(000000–) Door Wldt, Brush	1
	11	01762	(000000–) Screw, Hex, .38–16 X 0.75, NI	4
	12	08175	(000000–) Pin, Cotter, .125 X 1.25	1
	13	87631	(000000–004190) Plug Wldt, Drive, Brush, Sweep	1
	13	1057643	(004191–) Plug Wldt, Drive, Brush, Sweep	1
	14	65695	(000000–) Latch	1
	15	1026352	(000000–) Pawl, Str	1
	16	70563	(000000–004185) Screw, Hex, M8 X 1.25 X 130, 8.8	1
▽		9006398	(000000–004185) Idler Assy, Brush, Replmt [M20/T20, M30]	1
▲	17	25686	(000000–004185) Plug Wldt, Drive, Brush	1
▲	18	00927	(000000–004185) Key, Sq, 0.25 X 0.25, 1.25l	1
▲	19	1038258	(000000–004185) Door Wldt, Brush, Idler	1
▲	20	13534	(000000–004185) Bearing, Ball, 0.98b 2.05d 0.59w	2
▲	21	56078	(000000–004185) Shaft, Brush, Idler	1
▲	22	09005	(000000–004185) Ring, Retaining, Ext, 1.00d, Basic	2
▲	23	12295	(000000–004185) Nut, Hex, Sltd, M20 X 2.5, 8	1
▲	24	08175	(000000–004185) Pin, Cotter, .125 X 1.25	1
	25	09739	(000000–002167) Nut, Hex, Lock, M5 X 0.8, NI, Ss	2
	26	17185	(000000–002167) Screw, Pan, M5 X 0.8 X 40, Ss	2
	27	1032743	(000000–002167) Plate, Handle	1
	28	222496	(000000–002167) Sleeve, P/M, 0.31b 0.50d 0.9l [430ss]	2
	29	32491	(000000–) Washer, Flat, 0.31, Std	4
	30	1054857	(004186–) Door Wldt, Brush, Idler	1
	31	1054575	(004186–) Bracket, Sppt	1
	32	1054682	(004186–) Bracket, Retainer, Lh	1
	33	25686	(004186–) Plug Wldt, Drive, Brush	1
	34	13534	(004186–) Bearing, Ball, 0.98b 2.05d 0.59w	2
	35	56078	(004186–) Shaft, Brush, Idler	1
	36	09005	(004186–) Ring, Retaining, Ext, 1.00d, Basic	2
	37	12295	(004186–) Nut, Hex, Sltd, M20 X 2.5, 8	1
	38	08175	(004186–) Pin, Cotter, .125 X 1.25	1
	39	00927	(004186–) Key, Sq, 0.25 X 0.25, 1.25l	1
	40	09740	(004186–) Screw, Hex, M8 X 1.25 X 20, Ss	1
	41	32491	(004186–) Washer, Flat, 0.31, Std	3
	42	09010	(004186–) Screw, Hex, M8 X 1.25 X 25, Ss	2
	43	1074807	(004186–) Cap, Vinyl, 57mmid X 23mml	1

Fig. 55 – Cylindrical Scrub Brush Drive Group, Right Side

Ref.	Part No.	Serial Number	Description	Qty.	
1	1021019	(000000–)	Housing Wldt, Brush, Drive	1	
2	15675	(000000–)	Screw, Hex, M8 X 1.25 X 16, Ss	4	
3	32491	(000000–)	Washer, Flat, 0.31, Std	4	
4	71729	(000000–004190)	Motor, Hyd, Gear, Int 04.5 Bi–Dir 1500 (See Breakdowns)	1	
▽	4	1068811	(004191–)	Motor, Hyd, Gear, Int 04.5 Bi–Dir 1500	1
▲	5	39527	(000000–)	Nut, Hex, Slted, .75–16	1
6	44868	(000000–)	Fitting, Hyd, E90, Jm08/Om08	2	
7	9006386	(000000–003056)	Tube Kit, Hyd, Case Drain [M20/T20]	1	
8	1026080	(000000–)	Clamp, Hyd, 0.50d	1	
9	1029964	(000000–)	Door Wldt, Brush	1	
10	17185	(000000–002167)	Screw, Pan, M5 X 0.8 X 40, Ss	2	
11	01762	(000000–)	Screw, Hex, .38–16 X 0.75, NI	4	
12	08175	(000000–)	Pin, Cotter, .125 X 1.25	1	
13	87631	(000000–004190)	Plug Wldt, Drive, Brush, Sweep	1	
13	1057643	(004191–)	Plug Wldt, Drive, Brush, Sweep	1	
14	65695	(000000–)	Latch	1	
15	1026352	(000000–)	Pawl, Str	1	
16	70563	(000000–004185)	Screw, Hex, M8 X 1.25 X 130, 8.8	1	
17	08713	(000000–004185)	Nut, Hex, Lock, M8 X 1.25, NI, Ss	1	
▽	9006398	(000000–004185)	Idler Assy, Brush, Replmt [M20/T20, M30]	1	
▲	18	25686	(000000–004185)	Plug Wldt, Drive, Brush	1
▲	19	1038258	(000000–004185)	Door Wldt, Brush, Idler	1
▲	20	13534	(000000–004185)	Bearing, Ball, 0.98b 2.05d 0.59w	2
▲	21	09005	(000000–004185)	Ring, Retaining, Ext, 1.00d, Basic	2
▲	22	56078	(000000–004185)	Shaft, Brush, Idler	1
▲	23	12295	(000000–004185)	Nut, Hex, Slted, M20 X 2.5, 8	1
▲	24	08175	(000000–004185)	Pin, Cotter, .125 X 1.25	1
▲	25	00927	(000000–004185)	Key, Sq, 0.25 X 0.25, 1.25l	1
26	1032743	(000000–002167)	Plate, Handle	1	
27	222496	(000000–002167)	Sleeve, P/M, 0.31b 0.50d 0.9l [430ss]	2	
28	09739	(000000–002167)	Nut, Hex, Lock, M5 X 0.8, NI, Ss	2	
29	1055139	(003057–)	Tube, Hyd, Brush Return, W/ Cd [M20/T20]	1	
30	39210	(003057–)	Fitting, Hyd, E90, Jf04/Jm04	1	
31	55586	(003057–)	Fitting, Hyd, Str, Jm04/Om04	1	
32	49266	(003057–)	Tie, Cable, Nyl, 07.3l .19w 1.8 Max D	2	
33	1054857	(004186–)	Door Wldt, Brush, Idler	1	
34	1054575	(004186–)	Bracket, Sppt	1	
35	1054610	(004186–)	Bracket, Retainer, Rh	1	
36	25686	(004186–)	Plug Wldt, Drive, Brush	1	
37	13534	(004186–)	Bearing, Ball, 0.98b 2.05d 0.59w	2	
38	09005	(004186–)	Ring, Retaining, Ext, 1.00d, Basic	2	
39	56078	(004186–)	Shaft, Brush, Idler	1	
40	12295	(004186–)	Nut, Hex, Slted, M20 X 2.5, 8	1	
41	08175	(004186–)	Pin, Cotter, .125 X 1.25	1	
42	00927	(004186–)	Key, Sq, 0.25 X 0.25, 1.25l	1	
43	09010	(004186–)	Screw, Hex, M8 X 1.25 X 25, Ss	2	
44	09740	(004186–)	Screw, Hex, M8 X 1.25 X 20, Ss	1	
45	32491	(004186–)	Washer, Flat, 0.31, Std	3	
46	1074807	(004186–)	Cap, Vinyl, 57mmid X 23mml	1	

Fig. 56 - Cylindrical Scrub Brush Head Lift Group

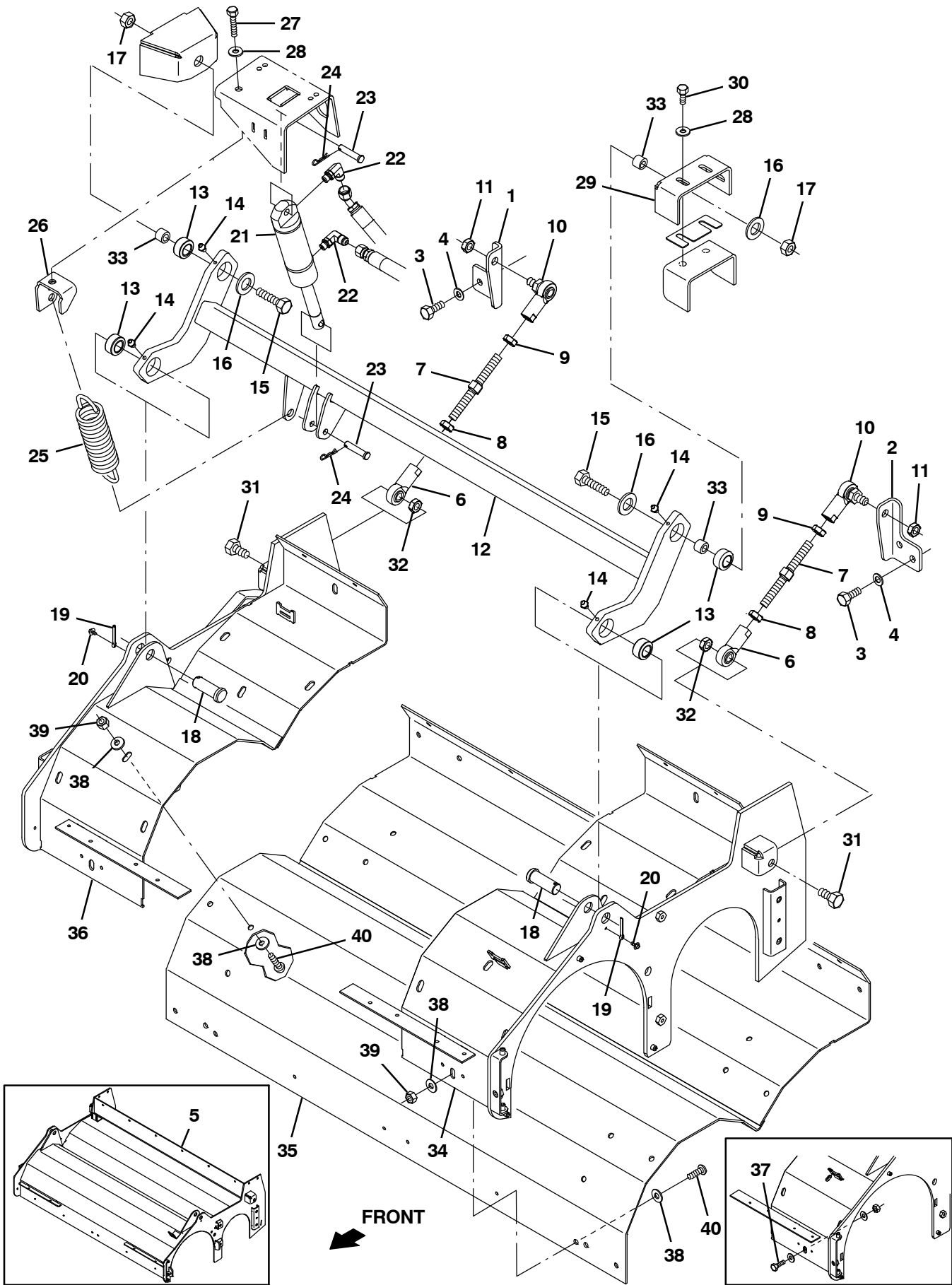


Fig. 56 – Cylindrical Scrub Brush Head Lift Group

Ref.	Part No.	Serial Number	Description	Qty.
1	1030910	(000000–)	Bracket, Mtg, Scb Head, Rh	1
2	1030911	(000000–)	Bracket, Mtg, Scb Head, Lh	1
3	09028	(000000–)	Screw, Hex, M10 X 1.5 X 25, Ss	4
4	32485	(000000–)	Washer, Flat, 0.38 Sae	4
5	1020002	(000000–004185)	Housing Wldt, Swp, Scb	1
6	67555	(000000–)	Rod–End, .50–20rh Fem 0.50b	2
7	1014705	(000000–)	Rod, Thrd, 2 End, .50–20 04.9l, Rh / Lh	2
8	48985	(000000–)	Nut, Hex, Jam, .50–20	2
9	71369	(000000–)	Nut, Hex, Jam, .50–20, Lh	2
10	382099	(000000–)	Rod–End, .50–20lh Fem 0.50–20stud	2
11	51824	(000000–)	Nut, Hex, Lock, .50–20, NI, Thin	2
12	1020003	(000000–)	Tube Wldt, Torque	1
13	42120	(000000–)	Bearing, Self Align, 0.75b 1.25d	4
14	07259	(000000–)	Fitting, Grease, Str Pm04 .47l	4
15	06969	(000000–)	Screw, Hex, M12 X 1.75 X 40, 8.8	2
16	41619	(000000–)	Washer, Flat, 0.56b 1.38d .11, Ss	2
17	09741	(000000–)	Nut, Hex, Lock, M12 X 1.75, NI, Ss	2
18	04733–12	(000000–)	Pin, Clevis, 0.75d X 2.00l	2
19	08236	(000000–)	Pin, Cotter, .156 X 1.25	2
20	223198	(000000–)	Screw, Hex, M5 X 0.8 X 10, Fmg	2
21	1038137	(000000–)	Cylinder, Hyd, 1.5b 07.8l 02.80strk 2500	1
22	77098	(000000–)	Fitting, Hyd, E90, Jm06/Om04	2
23	17461	(000000–)	Pin, Clevis, 0.37d X 1.75l	2
24	86866	(000000–)	Pin, Cotter, Hair, 0.38d .072 Wir	2
25	1042686	(000000–)	Spring, Extn, 2.00od 0.25wir 07.5l	1
26	1027810	(000000–)	Bracket, Mtg, Spring	1
27	763090	(000000–)	Screw, Hex, M8 X 1.25 X 60, FI	1
28	32491	(000000–)	Washer, Flat, 0.31, Std	4
29	1019146	(000000–)	Bracket, Mtg, Lift, Scb Head	1
30	09740	(000000–)	Screw, Hex, M8 X 1.25 X 20, Ss	3
31	39811	(000000–)	Screw, Hex, .50–13 X 1.50, 5	2
32	36644	(000000–)	Nut, Hex, Lock, .50–13, NI, Thin	2
33	1025100	(000000–)	Sleeve, P/M, 0.47b 0.75d 0.5l [430ss]	3
34	1052342	(004186–)	Bracket Wldt, Brush Wrap, Lh	1
35	1069562	(004186–)	Plate Wldt, Wrap, Brush	1
36	1052124	(004186–)	Bracket Wldt, Brush Wrap Mtg, Rh	1
37	09740	(004186–007371)	Screw, Hex, M8 X 1.25 X 20, Ss	10
38	32491	(004186–)	Washer, Flat, 0.31, Std	20
39	08713	(004186–)	Nut, Hex, Lock, M8 X 1.25, NI, Ss	10
40	223470	(007372–)	Screw, Btn, M8 X 1.25 X 25, Ss	10

Fig. 57 – Cylindrical Brush Head Skirt Group

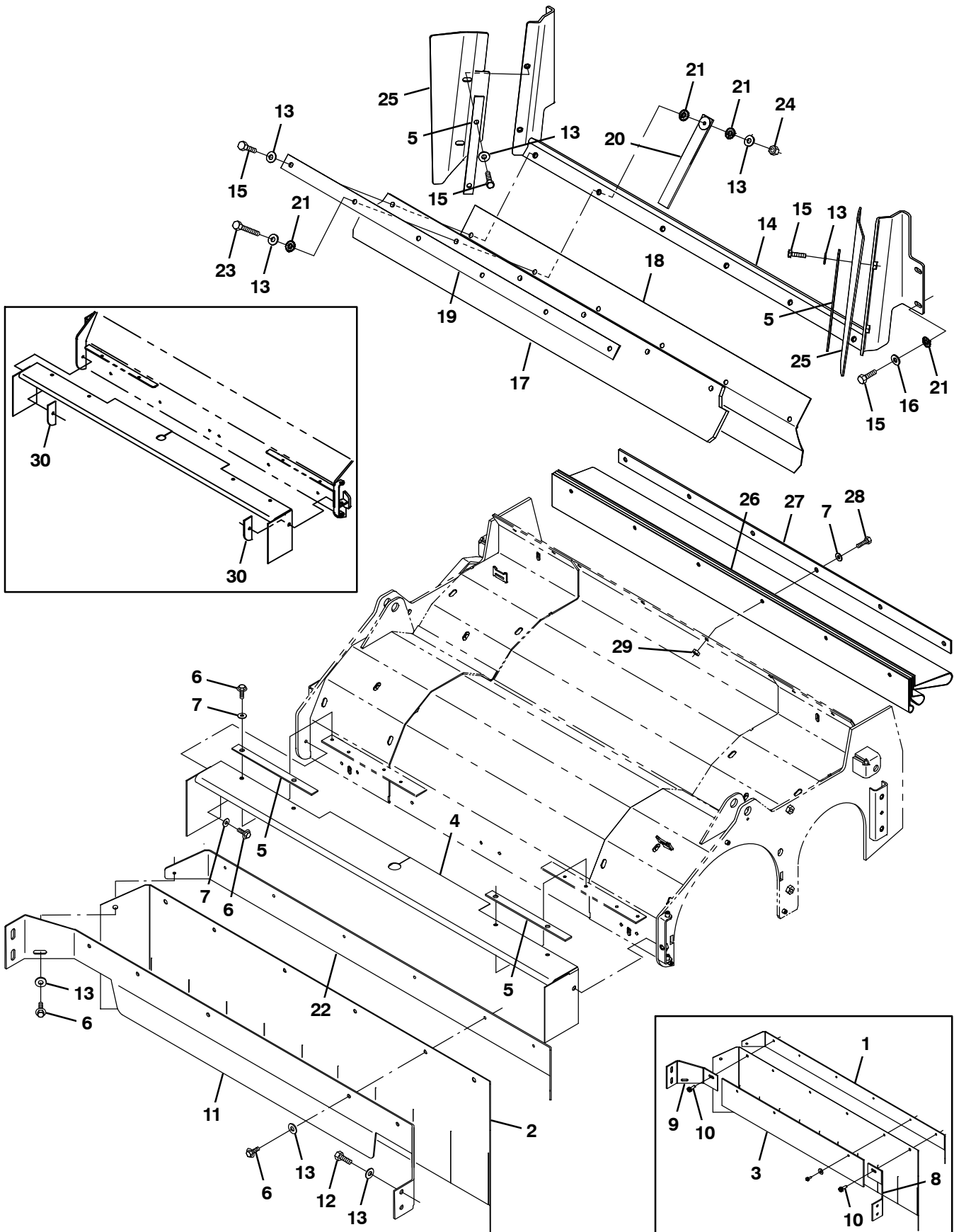


Fig. 57 – Cylindrical Brush Head Skirt Group

Ref.	Part No.	Serial Number	Description	Qty.
1	1020208	(000000-002275)	Plate, Skirt, Front	1
2	1020166	(000000-)	Skirt, Neo, .06, 12.00w 45.88l, 07 Hole	1
3	1020207	(000000-002275)	Retainer, Skirt, Front	1
4	1022363	(000000-)	Skirt, Neo, .06, 07.63w 51.52l, 11 Hole	1
5	1022003	(000000-)	Retainer, Skirt	4
6	361339	(000000-)	Screw, Hex, M6 X 1.0 X 16, Fmg	13
7	01684	(000000-)	Washer, Flat, 0.25, Ss	12
8	1024570	(000000-002275)	Bracket, Mtg, Skirt	1
9	1020163	(000000-002275)	Bracket, Mtg, Skirt	1
10	76099	(000000-002275)	Screw, Hex, M8 X 1.25 X 25, Fmg	4
11	1039396	(002276-)	Bracket, Mtg, Skirt	1
12	09740	(000000-)	Screw, Hex, M8 X 1.25 X 20, Ss	4
13	01685	(000000-)	Washer, Flat, 0.31, Ss	22
14	1022179	(000000-)	Bracket Wldt, Flap, Recirculation	1
15	09010	(000000-)	Screw, Hex, M8 X 1.25 X 25, Ss	13
16	32491	(000000-)	Washer, Flat, 0.31, Std	4
17	1022007	(000000-)	Skirt, Rbr, .37, 04.50w 40.94l, 06 Hole	1
18	1022009	(000000-)	Skirt, Neo, .06, 06.38w 40.86l, 06 Hole	1
19	1020828	(000000-)	Strip, Flap, Recirculation	1
20	1028852	(000000-)	Strap, Static, Afrmkt	1
21	41141	(000000-)	Washer, Lock, Int-Ext, 0.31	7
22	1040018	(002276-)	Plate, Skirt, Front	1
23	33401	(000000-)	Screw, Hex, M8 X 1.25 X 50, Ss, FI	1
24	08713	(000000-)	Nut, Hex, Lock, M8 X 1.25, NI, Ss	1
25	1022165	(000000-)	Skirt, Neo, .12, 05.39w 14.01l, 02 SI	2
26	1026108	(000000-)	Skirt, Neo, .06, 26.99w 40.55l, 36 Hole	1
27	1020828	(000000-)	Strip, Flap, Recirculation	1
28	07805	(000000-)	Screw, Hex, M6 X 1.0 X 35, Ss	6
29	08712	(000000-)	Nut, Hex, Lock, M6 X 1.0, Ss, NI	6
30	1022359	(000000-001284)	Plate, Mtg, Skirt, Scb Head (Replaced by None)	2

Fig. 58 – Squeegee Lift Group, Rear

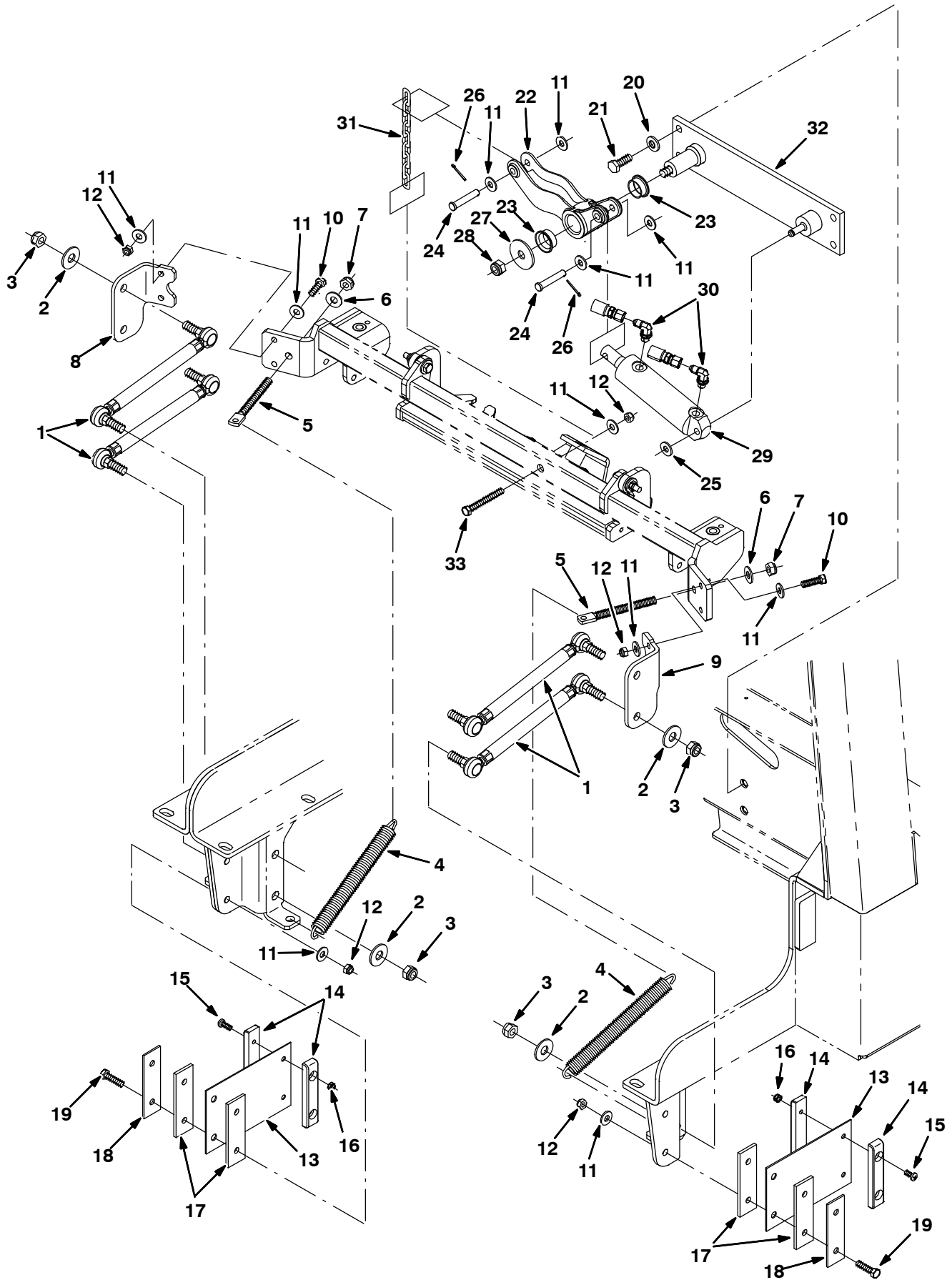


Fig. 58 – Squeegee Lift Group, Rear

Ref.	Part No.	Serial Number	Description	Qty.
1	1026007	(000000–) Link Assy, Rod–End, M12	4
2	41619	(000000–) Washer, Flat, 0.56b 1.38d .11, Ss	8
3	09741	(000000–) Nut, Hex, Lock, M12 X 1.75, NI, Ss	8
4	46785–1	(000000–) Spring, Extn, 0.88od X 0.14wir, 9.0l	2
5	386847	(000000–) Bolt, Eye, M10 X 1.50 X 064mm, 07.10 Eye	2
6	01686	(000000–) Washer, Flat, 0.44b 1.00d .08, Ss	2
7	08714	(000000–) Nut, Hex, Lock, M10 X 1.5, NI, Ss	2
8	1022372	(000000–) Angle, Rh	1
9	1022442	(000000–) Angle, Lh	1
10	09010	(000000–) Screw, Hex, M8 X 1.25 X 25, Ss	4
11	01685	(000000–) Washer, Flat, 0.31, Ss	15
12	08713	(000000–) Nut, Hex, Lock, M8 X 1.25, NI, Ss	9
13	71204	(000000–) Spring, Flt, 0.08th, 4.50w X 07.0l	2
14	1024648	(000000–) Block, Centering	4
15	367770	(000000–) Screw, Pan, M6 X 1.0 X 16, Ss	4
16	08712	(000000–) Nut, Hex, Lock, M6 X 1.0, Ss, NI	4
17	1024641	(000000–) Spacer, Pad, Rbr	4
18	1024703	(000000–) Retainer, Spring	2
19	09023	(000000–) Screw, Hex, M8 X 1.25 X 35, Ss, FI	4
20	41187	(000000–) Washer, Flat, Belleville, .38	4
21	12317	(000000–) Screw, Hex, M10 X 1.5 X 30, Ss	4
22	1025680	(000000–) Bellcrank, Lift, Sqge	1
23	367313	(000000–) Bushing, Flng, 1.00b 1.13d 0.50l	2
24	29584	(000000–) Pin, Clevis, 0.37d X 2.00l	2
25	23524–1	(000000–) Ring, Retaining, Ext, 0.38d, [Selflock]	1
26	08179	(000000–) Pin, Cotter, .094 X 1.00	2
27	04414	(000000–) Washer, Flat, 0.53b 1.88d .12, Stl, PI	1
28	09741	(000000–) Nut, Hex, Lock, M12 X 1.75, NI, Ss	1
29	1038137	(000000–) Cylinder, Hyd, 1.5b 07.8l 02.80strk 2500	1
30	77097	(000000–) Fitting, Hyd, E90, Jm04/Om04	2
31	1023779	(000000–) Chain, Str, 4/0, 08 Link	1
32	1021609	(000000–) Plate Wldt, Lift, Sqge	1
33	06957	(002102–) Screw, Hex, M8 X 1.25 X 60, 8.8	1

Fig. 59 – Squeegee Group, Rear

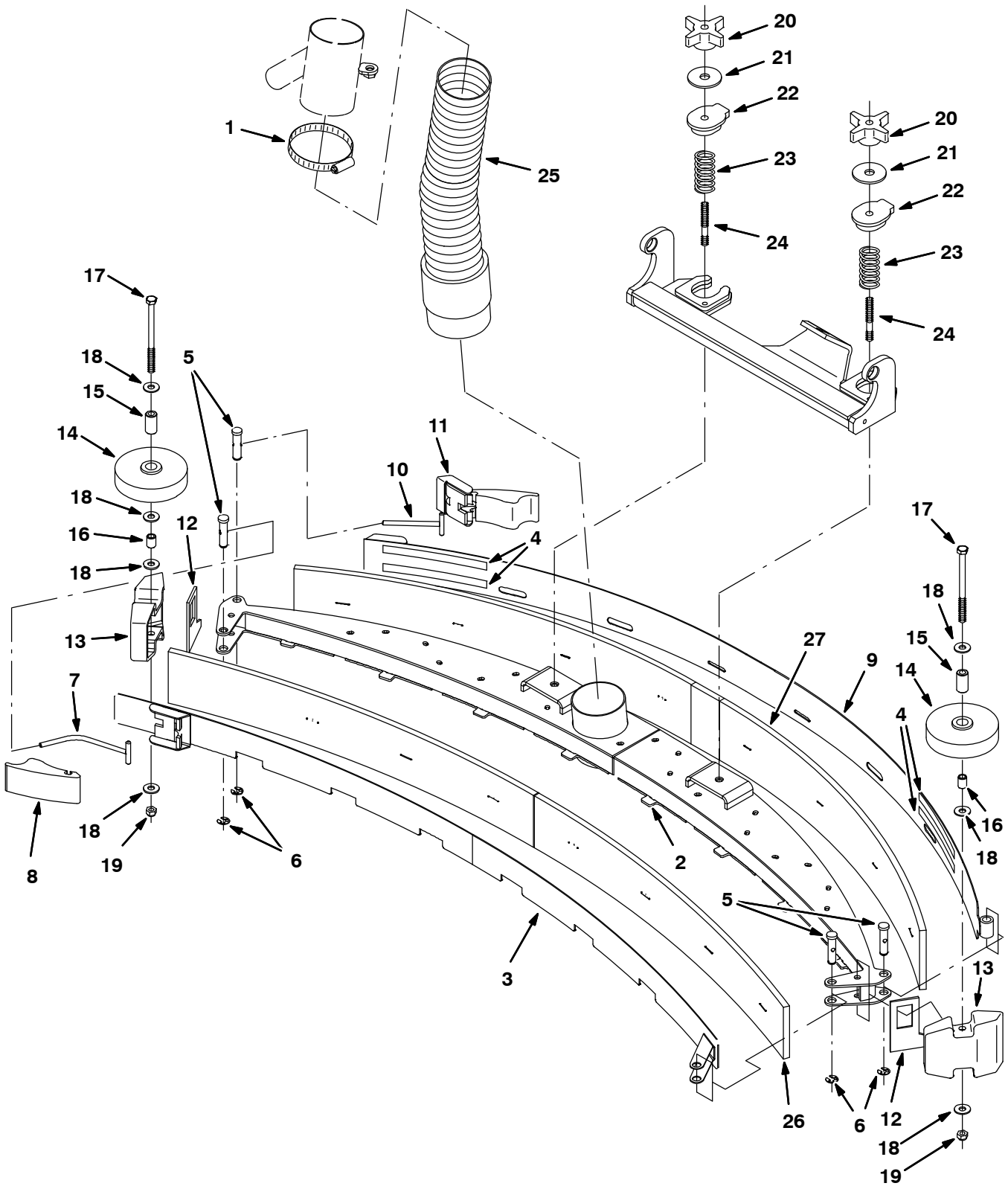


Fig. 59 – Squeegee Group, Rear

Ref.	Part No.	Serial Number	Description	Qty.
	1	43555	(000000–) Clamp, Hose, Wormdrive, 2.50–3.50d, .50w	1
▽		9004493	(000000–) Squeegee Kit, Rear, Replmt [M20/T20]	1
▲	2	1022831	(000000–) Squeegee Wldt, Rear	1
▲	3	1023239	(000000–) Clamp Wldt, Front	1
▲	4	03495	(000000–) Strip, Non–Slip, 0.50w 06.0l	4
▲	5	21603	(000000–) Pin, Grvd, 0.43d 01.8l [303ss]	4
▲	6	24555	(000000–) Ring, Retaining, Ext, 0.38d, [E–Ring]	4
▲	7	386298	(000000–) Pin Wldt, Front	1
▲	8	21601	(000000–) Cam	1
▲	9	1028374	(000000–) Clamp Wldt, Rear	1
▲	10	21606	(000000–) Bar Wldt, Retainer, Sqge, Rear	1
▲	11	21602	(000000–) Cam, Rear	1
▲	12	83874	(000000–) Gasket, Sqge	2
▲	13	386264	(000000–) Bumper, Sqge	2
▲	14	363162	(000000–) Wheel, 4.0d 0.89w 0.64b	2
▲	15	363301	(000000–) Sleeve, P/M, 0.34b 0.63d 1.2l, Bnz	2
▲	16	80395	(000000–) Sleeve, P/M, 0.31b 0.50d 0.7l [430ss]	2
▲	17	364441	(000000–) Screw, Hex, M8 X 1.25 X 110, Ss	2
▲	18	01685	(000000–) Washer, Flat, 0.31, Ss	10
▲	19	08713	(000000–) Nut, Hex, Lock, M8 X 1.25, NI, Ss	2
	20	370100	(000000–) Knob, Star, 2.80d 4ear 1.1l .31–18 Pyp	2
	21	04414	(000000–) Washer, Flat, 0.53b 1.88d .12, Stl, Pl	2
	22	387433	(000000–) Ring, Mtg, Sqge, .50l	2
	23	387500	(000000–) Spring, Cmpr, 0.9od .042wir 02.0l	2
	24	387237	(000000–) Stud, .31–18 2.75l M8 X 1.25, Ss	2
	25	1021511	(000000–) Hose, Vacuum, 19.0l	1
	26	1017868	(000000–) Blade, Sqge, Front, 49.58l [Linard]	1
	26	1027719	(000000–) Blade, Sqge, Front, 49.58l Ure (Option)	1
	27	1031331	(000000–) Blade, Sqge, Rear, Linatex	1
	27	1031945	(000000–) Blade, Sqge, Rear, 53.78l Ure (Option)	1

Fig. 60 - Squeegee Linkage Group, Rear

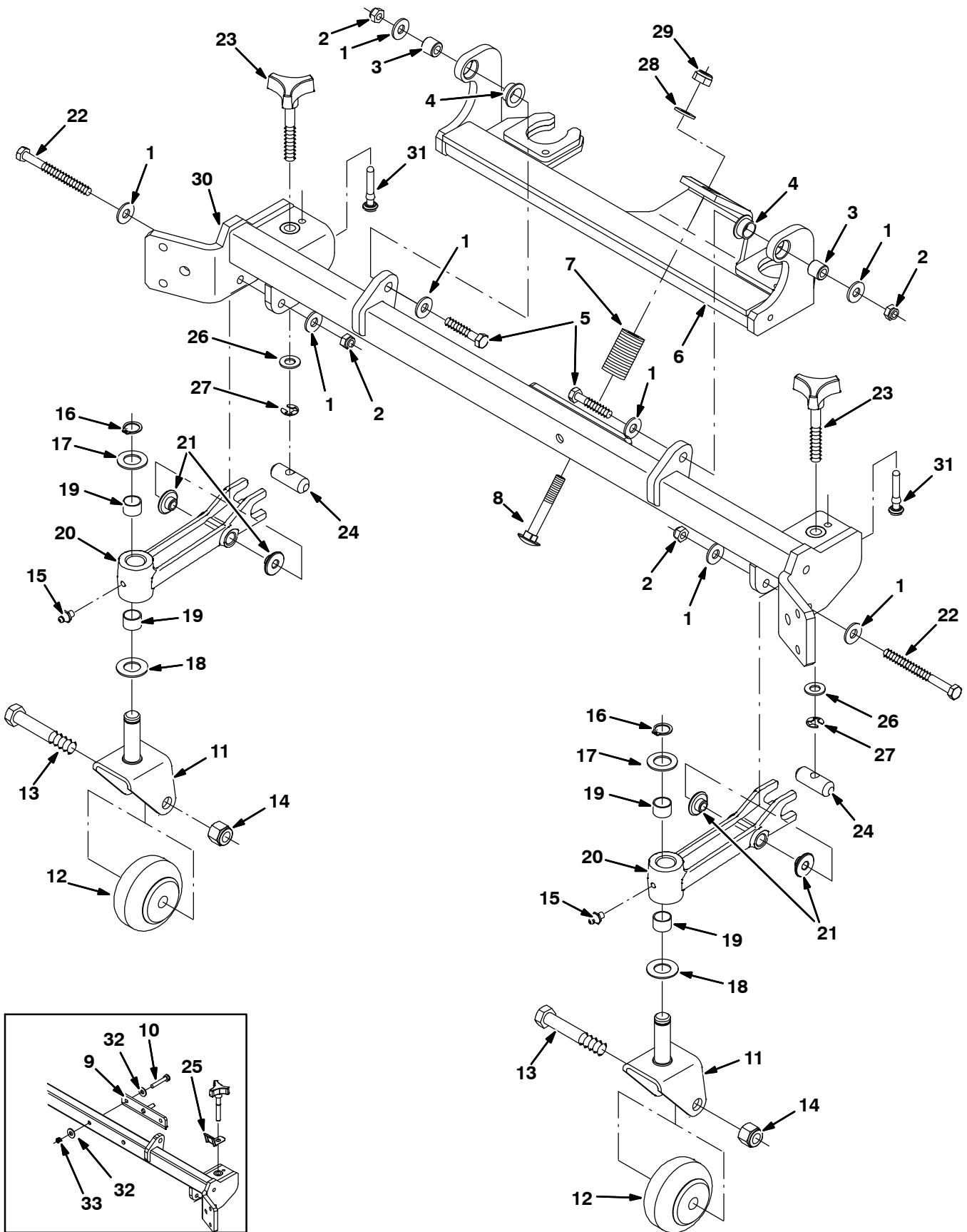


Fig. 60 – Squeegee Linkage Group, Rear

Ref.	Part No.	Serial Number	Description	Qty.
1	01685	(000000–)	Washer, Flat, 0.31, Ss	6
2	08713	(000000–)	Nut, Hex, Lock, M8 X 1.25, NI, Ss	4
3	80409	(000000–)	Sleeve, P/M, 0.34b 0.63d 0.6l, Bnz	2
4	25735	(000000–)	Bushing, Fling, 0.63b 0.75d 0.38l	2
5	222505	(000000–)	Screw, Hex, M8 X 1.25 X 45, Ss	2
6	1023476	(000000–)	Bracket Wldt, Mtg, Sqge	1
7	65180	(000000–)	Spring, Dsl, 1.00od 0.50id 1.7l	1
8	1025601	(000000–)	Bolt, Carriage, M10 X 1.5 X 70	1
9	1034147	(000000–002101)	Pin Wldt, Lift (Replaced by 9003478)	1
10	222505	(000000–002101)	Screw, Hex, M8 X 1.25 X 45, Ss	2
11	1021404	(000000–)	Bracket Wldt, Mtg, Caster	2
12	20833	(000000–)	Wheel, 3.0d 1.38w 0.50b	2
13	81952	(000000–)	Screw, Hex, .50–13 X 3.00, Ss18–8	2
14	02931	(000000–)	Nut, Hex, Lock, .50–13, NI, Ss	2
15	07259	(000000–)	Fitting, Grease, Str Pm04 .47l	2
16	33373	(000000–)	Ring, Retaining, Ext, 0.62d, Hd	2
17	63468	(000000–)	Washer, Flat, 0.69b 1.19d .06, Stl, Pl	2
18	64425	(000000–)	Washer, Thrust, 0.61b 1.25d .06, Fgl	2
19	07449	(000000–)	Bushing, Sleeve, 0.62b 0.72d 0.50l, Fgl	4
20	1025460	(000000–)	Caster, Pivot	2
21	80950	(000000–)	Bushing, Fling, 0.32b 0.50d 0.24l, Bnz	4
22	39281	(000000–)	Screw, Hex, M8 X 1.25 X 90, 8.8	2
23	1021546	(000000–)	Knob Assy, Star, 1.12d 3ear M10	2
24	1021497	(000000–)	Pin, 0.63d 01.8l, 1/M10h, 2cham	2
25	1022545	(000000–002049)	Spring, Keeper	2
26	32485	(000000–)	Washer, Flat, 0.38 Sae	2
27	24555	(000000–)	Ring, Retaining, Ext, 0.38d, [E–Ring]	2
28	1014563	(000000–)	Washer, Flat, 0.40b 1.12d .12, Ss	1
29	08714	(000000–)	Nut, Hex, Lock, M10 X 1.5, NI, Ss	1
30	1034149	(000000–)	Crossmember Wldt [M20]	1
31	1035727	(002050–)	Stop, Rotation	2
32	01685	(000000–002101)	Washer, Flat, 0.31, Ss	4
33	08713	(000000–002101)	Nut, Hex, Lock, M8 X 1.25, NI, Ss	2

Fig. 61 - Squeegee Group, Right Side

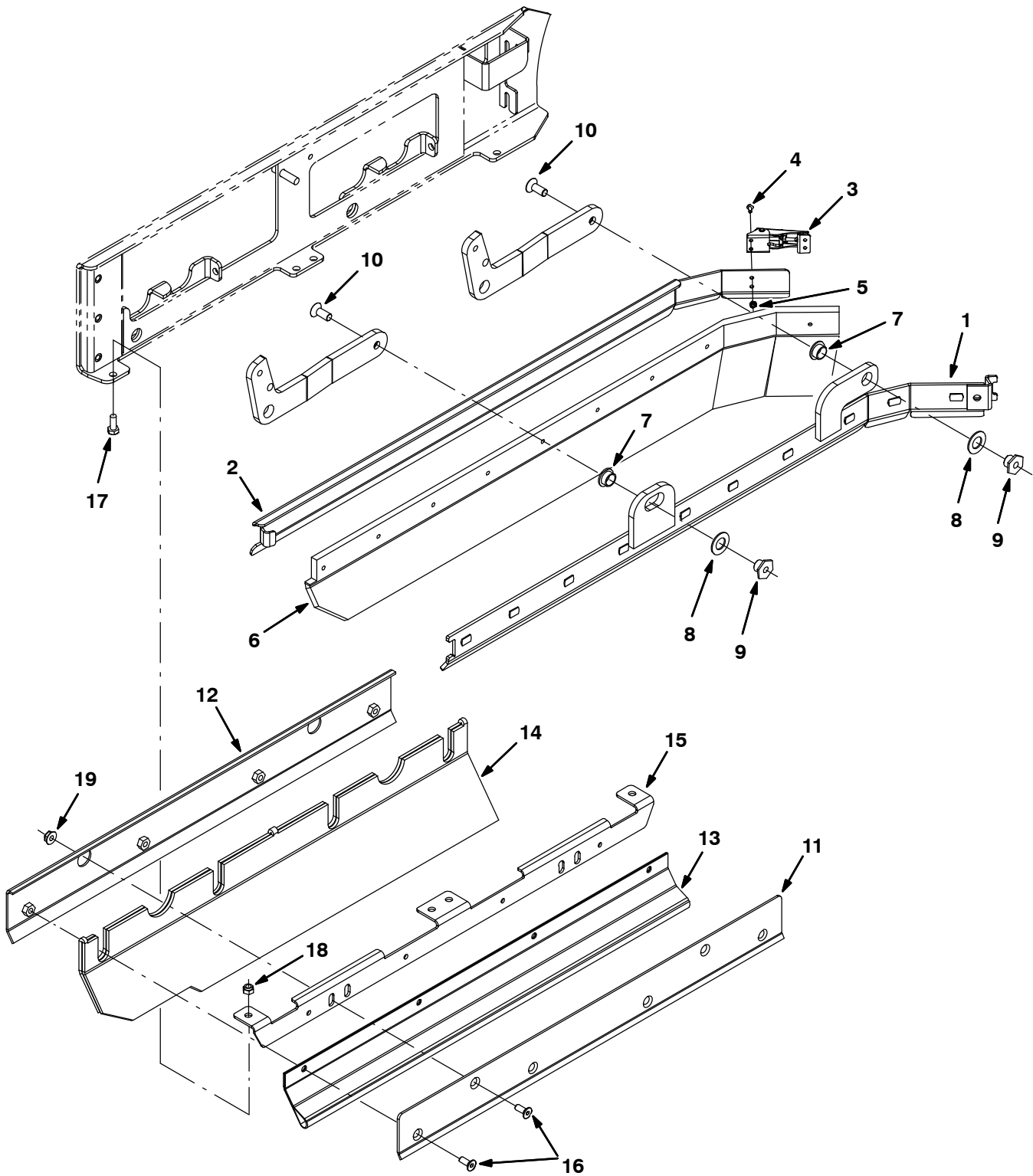


Fig. 61 – Squeegee Group, Right Side

Ref.	Part No.	Serial Number	Description	Qty.
1	1029132	(000000–) Frame Wldt, Sqge, Rh	1
2	1029128	(000000–) Retainer, Sqge, Side, Rh	1
3	384418	(000000–) Latch, Door [Southco 91–562–07]	1
4	49697	(000000–) Screw, Pan, M4 X 0.7 X 10, Ss	2
5	33932	(000000–) Nut, Hex, Lock, M4 X 0.7, NI, Ss	2
6	1031011	(000000–) Blade, Sqge, .38 3.55w 038.3l, Linatex	1
6	1031823	(000000–) Blade, Sqge, .38 3.55w 038.3l, Ure (Option)	1
7	25735	(000000–) Bushing, Flng, 0.63b 0.75d 0.38l	2
8	64425	(000000–) Washer, Thrust, 0.61b 1.25d .06, Fgl	2
9	1022846	(000000–) Nut, T, M10 X 1.50 X 15.8od X 13.0l	2
10	09081	(000000–) Screw, Flt, M10 X 1.5 X 25, 10.9	2
11	1024584	(000000–) Bracket, Mtg, Skirt, Brush Door	1
12	1024651	(000000–) Bracket, Mtg, Skirt, Door	1
13	1024586	(000000–) Skirt, Neo, .06, 06.85w 27.95l, 08 Hole	1
14	1019295	(000000–) Skirt, Neo, .18, 10.37w 27.95l, 12 H&S	1
15	1025151	(000000–) Bracket, Mtg, Skirt, Door, Brush	1
16	222463	(000000–) Screw, Flt, M8 X 1.25 X 20, Blk	6
17	393135	(000000–) Screw, Btn, M8 X 1.25 X 20, Blk	4
18	08713	(000000–) Nut, Hex, Lock, M8 X 1.25, NI, Ss	4
19	07791	(000000–) Nut, Hex, Flng, M8 X 1.25	2

Fig. 62 – Squeegee Lift Group, Right Side

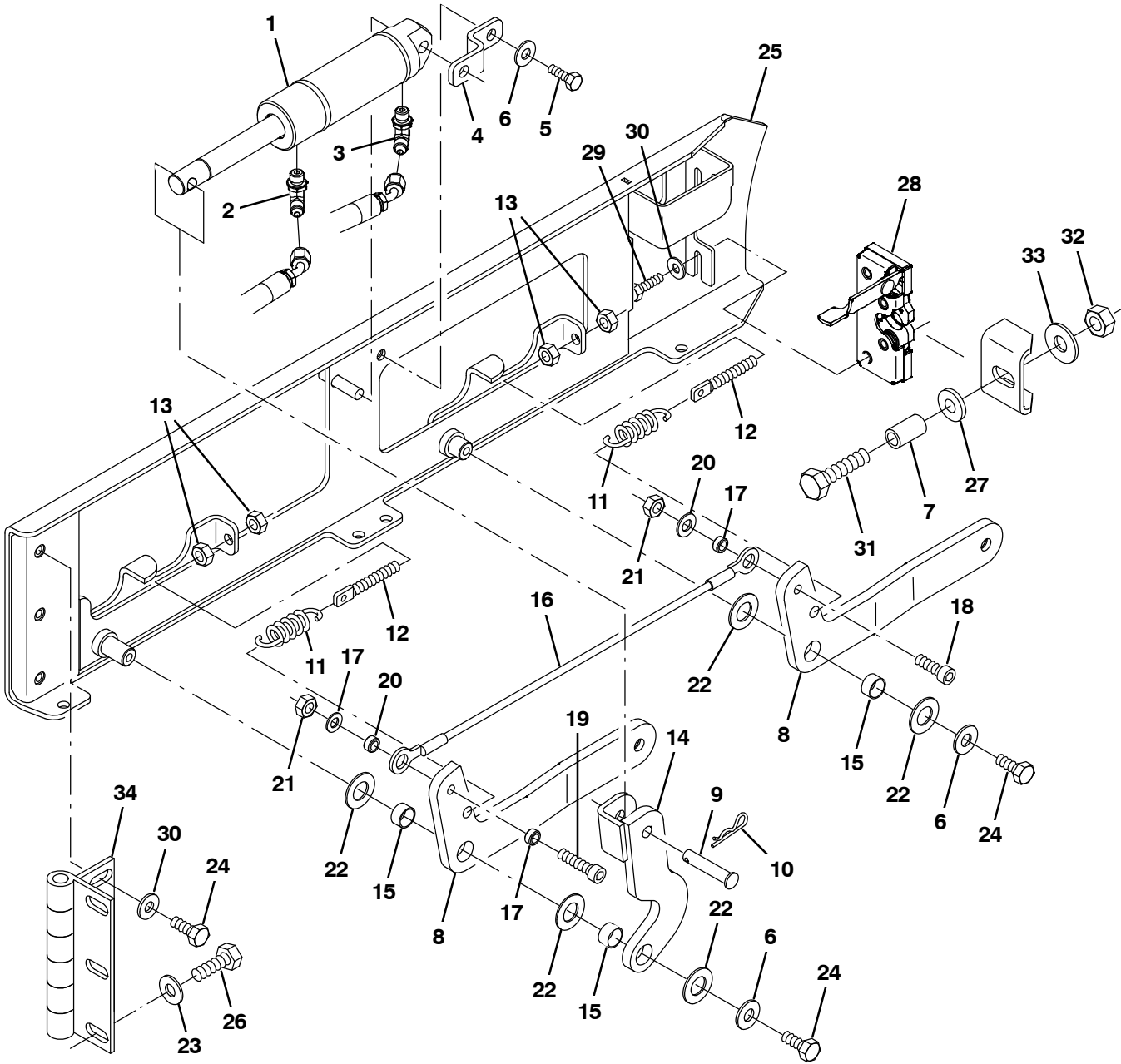


Fig. 62 – Squeegee Lift Group, Right Side

Ref.	Part No.	Serial Number	Description	Qty.
1	1038137	(000000–) Cylinder, Hyd, 1.5b 07.8l 02.80strk 2500	1
2	77097	(000000–) Fitting, Hyd, E90, Jm04/Om04	1
3	1028635	(000000–) Fitting, Hyd, Rst, Spcl	1
4	1022825	(000000–) Bracket, Mtg, Cyl	1
5	08716	(000000–) Screw, Hex, M6 X 1.00 X 20, Ss	1
6	01685	(000000–) Washer, Flat, 0.31, Ss	3
7	1039348	(000000–) Sleeve, 0.49b 0.68d 1.2l [304ss]	1
8	1020548	(000000–) Arm, Sqge, Side, Rh	2
9	17461	(000000–) Pin, Clevis, 0.37D X 1.75L	1
10	08182	(000000–) Pin, Cotter, .125 X 1.00	1
11	87816	(000000–) Spring, Extn, 0.75od X 0.09wir, 2.5l	2
12	386088	(000000–) Bolt, Eye, M08 X 1.25 X 070mm, 05.50 Eye	2
13	07786	(000000–) Nut, Hex, Std, M8 X 1.25, Ss	4
14	1023306	(000000–) Arm Wldt, Sqge, Lift, Rh	1
15	71607	(000000–) Bushing, Sleeve, 0.63b 0.72d 0.38l	3
16	81784	(000000–) Cable, Glv .13d 015.8l .50eye /.50eye	1
17	360801	(000000–) Sleeve, 0.31b 0.50d 0.3l, Ss	3
18	39308	(000000–) Screw, Soc, M8 X 1.25 X 25, 12.9	1
19	41445	(000000–) Screw, Soc, M8 X 1.25 X 35, 12.9	1
20	39349	(000000–) Washer, Flat, 0.31 Sae	2
21	08709	(000000–) Nut, Hex, Lock, M8 X 1.25, NI	2
22	64425	(000000–) Washer, Thrust, 0.61b 1.25d .06, Fgl	5
23	41187	(000000–) Washer, Flat, Belleville, .38	3
24	09740	(000000–) Screw, Hex, M8 X 1.25 X 20, Ss	5
25	1019031	(000000–) Door Wldt, Brush, Rh	1
26	09028	(000000–) Screw, Hex, M10 X 1.5 X 25, Ss	3
27	36328	(000000–) Washer, Flat, Belleville, .50	1
28	59194	(000000–) Latch, Hook	1
29	09007	(000000–) Screw, Hex, M6 X 1.0 X 25, Ss	2
30	41185	(000000–) Washer, Flat, Belleville, .25	5
31	379870	(000000–) Screw, Hex, M12 X 1.75 X 55, Ss	1
32	07788	(000000–) Nut, Hex, Std, M12 X 1.75, Ss	1
33	41619	(000000–) Washer, Flat, 0.56b 1.38d .11, Ss	1
34	1024576	(000000–) Hinge, .50pin .19 4.0w 06.0l 3/0.44sl	1

Fig. 63 – Squeegee Group, Left Side

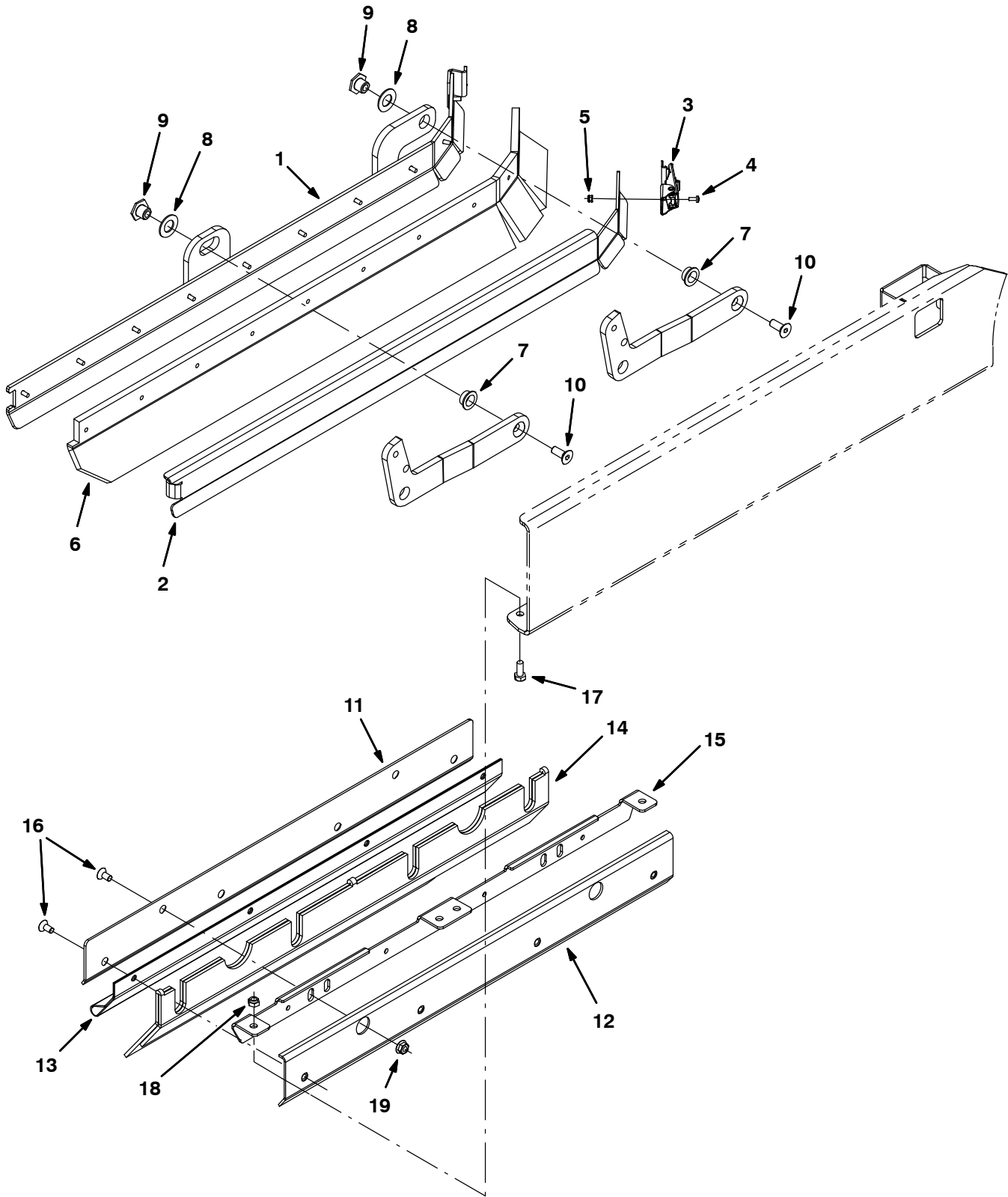


Fig. 63 - Squeegee Group, Left Side

Ref.	Part No.	Serial Number	Description	Qty.
1	1028972	(000000-) Frame Wldt, Sqge, Lh	1
2	1028979	(000000-) Retainer, Sqge, Side, Lh	1
3	384418	(000000-) Latch, Door [Southco 91- 562- 07]	1
4	49697	(000000-) Screw, Pan, M4 X 0.7 X 10, Ss	2
5	33932	(000000-) Nut, Hex, Lock, M4 X 0.7, NI, Ss	2
6	1031011	(000000-) Blade, Sqge, .38 3.55w 038.3l, Linatex	1
6	1031823	(000000-) Blade, Sqge, .38 3.55w 038.3l, Ure (Option)	1
7	25735	(000000-) Bushing, Flng, 0.63b 0.75d 0.38l	2
8	64425	(000000-) Washer, Thrust, 0.61b 1.25d .06, Fgl	2
9	1022846	(000000-) Nut, T, M10 X 1.50 X 15.8od X 13.0l	2
10	09081	(000000-) Screw, Flt, M10 X 1.5 X 25, 10.9	2
11	1024584	(000000-) Bracket, Mtg, Skirt, Brush Door	1
12	1024651	(000000-) Bracket, Mtg, Skirt, Door	1
13	1024586	(000000-) Skirt, Neo, .06, 06.85w 27.95l, 08 Hole	1
14	1019295	(000000-) Skirt, Neo, .18, 10.37w 27.95l, 12 H&S	1
15	1025151	(000000-) Bracket, Mtg, Skirt, Door, Brush	1
16	222463	(000000-) Screw, Flt, M8 X 1.25 X 20, Blk	6
17	393135	(000000-) Screw, Btn, M8 X 1.25 X 20, Blk	4
18	08713	(000000-) Nut, Hex, Lock, M8 X 1.25, NI, Ss	4
19	07791	(000000-) Nut, Hex, Flng, M8 X 1.25	2

Fig. 64 - Squeegee Lift Group, Left Side

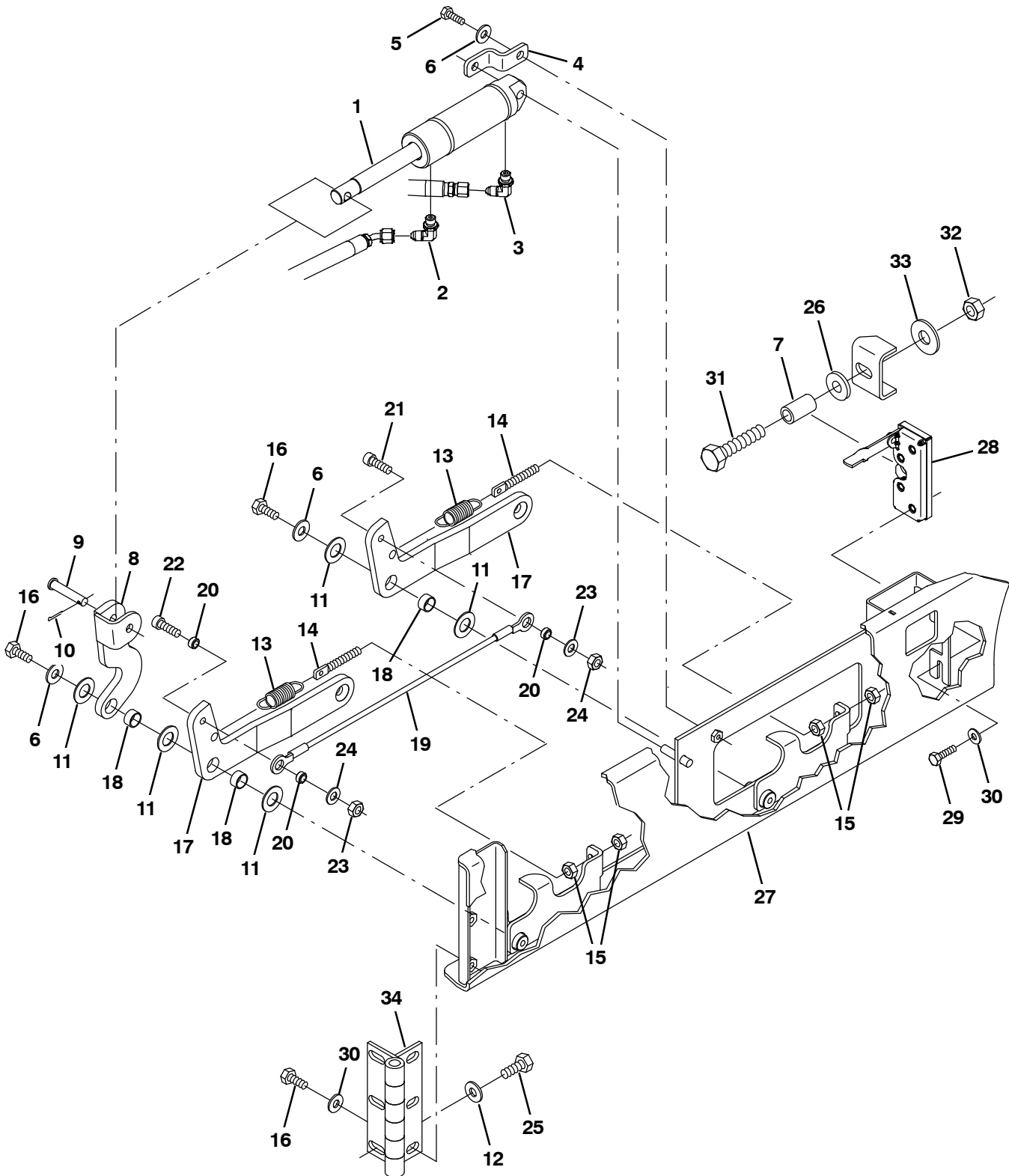


Fig. 64 – Squeegee Lift Group, Left Side

Ref.	Part No.	Serial Number	Description	Qty.
1	1038137	(000000–) Cylinder, Hyd, 1.5b 07.8l 02.80strk 2500	1
2	77097	(000000–) Fitting, Hyd, E90, Jm04/Om04	1
3	1028635	(000000–) Fitting, Hyd, Rst, Spcl	1
4	1022825	(000000–) Bracket, Mtg, Cyl	1
5	08716	(000000–) Screw, Hex, M6 X 1.00 X 20, Ss	1
6	01685	(000000–) Washer, Flat, 0.31, Ss	3
7	1039348	(000000–) Sleeve, 0.49b 0.68d 1.2l [304ss]	1
8	1022978	(000000–) Arm Wldt, Lift, Sqge, Lh	1
9	17461	(000000–) Pin, Clevis, 0.37D X 1.75L	1
10	08182	(000000–) Pin, Cotter, .125 X 1.00	1
11	64425	(000000–) Washer, Thrust, 0.61b 1.25d .06, Fgl	5
12	41187	(000000–) Washer, Flat, Belleville, .38	3
13	87816	(000000–) Spring, Extn, 0.75od X 0.09wir, 2.5l	2
14	386088	(000000–) Bolt, Eye, M08 X 1.25 X 070mm, 05.50 Eye	2
15	07786	(000000–) Nut, Hex, Std, M8 X 1.25, Ss	4
16	09740	(000000–) Screw, Hex, M8 X 1.25 X 20, Ss	5
17	1023307	(000000–) Arm, Sqge, Side, Lh	2
18	71607	(000000–) Bushing, Sleeve, 0.63b 0.72d 0.38l	3
19	81784	(000000–) Cable, Glv .13d 015.8l .50eye /.50eye	1
20	360801	(000000–) Sleeve, 0.31b 0.50d 0.3l, Ss	3
21	39308	(000000–) Screw, Soc, M8 X 1.25 X 25, 12.9	1
22	41445	(000000–) Screw, Soc, M8 X 1.25 X 35, 12.9	1
23	39349	(000000–) Washer, Flat, 0.31 Sae	2
24	08709	(000000–) Nut, Hex, Lock, M8 X 1.25, NI	2
25	09028	(000000–) Screw, Hex, M10 X 1.5 X 25, Ss	3
26	36328	(000000–) Washer, Flat, Belleville, .50	1
27	1023314	(000000–) Door Wldt, Brush, Lh	1
28	59195	(000000–) Latch, Hook	1
29	09007	(000000–) Screw, Hex, M6 X 1.0 X 25, Ss	2
30	41185	(000000–) Washer, Flat, Belleville, .25	5
31	379870	(000000–) Screw, Hex, M12 X 1.75 X 55, Ss	1
32	07788	(000000–) Nut, Hex, Std, M12 X 1.75, Ss	1
33	41619	(000000–) Washer, Flat, 0.56b 1.38d .11, Ss	1
34	1024576	(000000–) Hinge, .50pin .19 4.0w 06.0l 3/0.44sl	1

Fig. 65 – Solution Tank Group

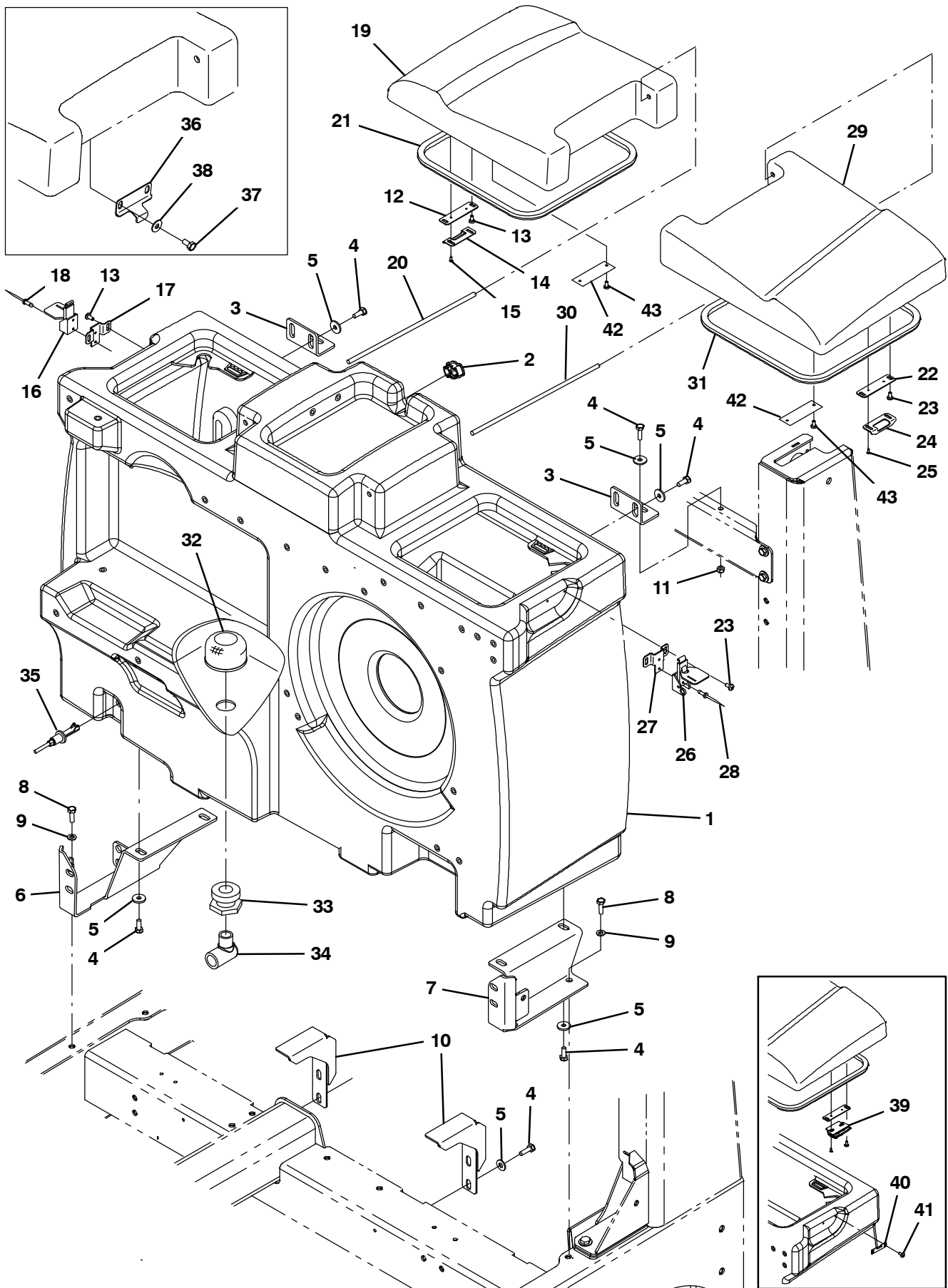


Fig. 65 - Solution Tank Group

Ref.	Part No.	Serial Number	Description	Qty.
1	1027381	(002413-) Tank, Soltn, W/ Label [M20]	1
1	9004117	(000000-002412) Tank Kit, Soltn, W/ Bracket, Replmt	1
2	390994	(000000-) Plug, Hole, Soltn Tank, Blk Pyu	1
3	1020209	(000000-) Angle, Sppt, Tank, Rear	2
4	09740	(000000-) Screw, Hex, M8 X 1.25 X 20, Ss	12
5	1017218	(000000-) Washer, Flat, 0.32b 1.00d .12, Ss	12
6	1040306	(000000-) Bracket Wldt, Tank, Soltn, Rh	1
7	1024591	(000000-) Bracket, Tank, Soltn, Lh	1
8	09010	(000000-) Screw, Hex, M8 X 1.25 X 25, Ss	4
9	39349	(000000-) Washer, Flat, 0.31 Sae	4
10	1024389	(000000-) Bracket, Soltn, Tank, Cntr	2
11	08713	(000000-) Nut, Hex, Lock, M8 X 1.25, NI, Ss	2
▽	9003069	(000000-) Cover Kit, Soltn Tank, Rh [M20 & T20]	1
▲▽	9005165	(000000-) Latch Kit, Cover, Soltn, Replmt[M20/T20]	1
▲▲	12 1039757	(002426-) Plate, Mtg, Latch	1
▲▲	13 382320	(000000-) Screw, Pan, Phl, 12-16 X 0.50, F/ Plstc	4
▲▲	14 1048474	(002798-) Catch, Latch, Tank Cover	1
▲▲	15 222267	(002798-) Screw, Pan, Phl, 06-20 X 0.50, Fmg/Ab	2
▲▲	16 367949	(002798-) Latch	1
▲▲	17 1048512	(002798-) Bracket, Mtg, Latch, Tank Cover	1
▲▲	18 08875	(002798-) Rivet, Blind, .125d X 0.54 X .25d, Alm	2
▲	19 1022176	(000000-) Cover, Tank, Soltn, Rh, Trimmed	1
▲	20 1047098	(000000-) Bar, Rnd, Plstc, 0.31d 12.5l	1
▲	21 1038805	(000000-) Seal, Bulb, Str, .50Hi .50W 047.2L, Adh	1
▽	9003071	(000000-) Cover Kit, Tank, Soltn, Rh, Replmt, Ce (Japan and CE Only)	1
▲▽	9005165	(000000-) Latch Kit, Cover, Soltn, Replmt[M20/T20]	1
▲▲	12 1039757	(002426-) Plate, Mtg, Latch	1
▲▲	13 382320	(000000-) Screw, Pan, Phl, 12-16 X 0.50, F/ Plstc	4
▲▲	14 1048474	(002798-) Catch, Latch, Tank Cover	1
▲▲	15 222267	(002798-) Screw, Pan, Phl, 06-20 X 0.50, Fmg/Ab	2
▲▲	16 367949	(002798-) Latch	1
▲▲	17 1048512	(002798-) Bracket, Mtg, Latch, Tank Cover	1
▲▲	18 08875	(002798-) Rivet, Blind, .125d X 0.54 X .25d, Alm	2
▲	19 1031233	(000000-) Cover, Tank, Soltn, Rh, Trimmed, Ce (Japan and CE Only)	1
▲	20 1047098	(000000-) Bar, Rnd, Plstc, 0.31d 12.5l	1
▲	21 1038805	(000000-) Seal, Bulb, Str, .50Hi .50W 047.2L, Adh	1

(CONTINUED)

STANDARD PARTS

Fig. 65 – Solution Tank Group

Ref.	Part No.	Serial Number	Description	Qty.
▽	9003068	(000000–) Cover Kit, Tank, Soltn, Lh, Replmt	1
▲▽	9005165	(000000–) Latch Kit, Cover, Soltn, Replmt[M20/T20]	1
▲▲	22 1039757	(002426–) Plate, Mtg, Latch	1
▲▲	23 382320	(000000–) Screw, Pan, Phl, 12–16 X 0.50, F/ Plstc	4
▲▲	24 1048474	(002798–) Catch, Latch, Tank Cover	1
▲▲	25 222267	(002798–) Screw, Pan, Phl, 06–20 X 0.50, Fmg/Ab	2
▲▲	26 367949	(002798–) Latch	1
▲▲	27 1048512	(002798–) Bracket, Mtg, Latch, Tank Cover	1
▲▲	28 08875	(002798–) Rivet, Blind, .125d X 0.54 X .25d, Alm	2
▲	29 1022182	(000000–) Cover, Tank, Soltn, Lh, Trimmed	1
▲	30 1047098	(000000–) Bar, Rnd, Plstc, 0.31d 12.5l	1
▲	31 1038805	(000000–) Seal, Bulb, Str, .50Hi .50W 047.2L, Adh	1
▽	9003070	(000000–) Cover Kit, Tank, Soltn, Lh, Replmt, Ce (Japan and CE Only)	1
▲▽	9005165	(000000–) Latch Kit, Cover, Soltn, Replmt[M20/T20]	1
▲▲	22 1039757	(002426–) Plate, Mtg, Latch	1
▲▲	23 382320	(000000–) Screw, Pan, Phl, 12–16 X 0.50, F/ Plstc	4
▲▲	24 1048474	(002798–) Catch, Latch, Tank Cover	1
▲▲	25 222267	(002798–) Screw, Pan, Phl, 06–20 X 0.50, Fmg/Ab	2
▲▲	26 367949	(002798–) Latch	1
▲▲	27 1048512	(002798–) Bracket, Mtg, Latch, Tank Cover	1
▲▲	28 08875	(002798–) Rivet, Blind, .125d X 0.54 X .25d, Alm	2
▲	29 1031235	(000000–) Cover, Tank, Soltn, Lh, Trimmed, Ce (Japan and CE Only)	1
▲	30 1047098	(000000–) Bar, Rnd, Plstc, 0.31d 12.5l	1
▲	31 1038805	(000000–) Seal, Bulb, Str, .50Hi .50W 047.2L, Adh	1
	32 1027290	(000000–) Filter, Soltn, 20mesh, Pm12 3.1d 02.6l	1
	33 377349	(000000–) Fitting, Plstc, Pf12/Pf12, Bh	1
	34 69785	(000000–) Fitting, Plstc, E90, Pf12/Pm12	1
	35 385685	(000000–) Sensor, Level, Liq, 14vdc 01a .62–11	1
	36 1020428	(000000–002425)) Bracket, Latch, Cover	2
	37 09744	(000000–002425)) Screw, Hex, M6 X 1.00 X 12, Ss	4
	38 01684	(000000–002425)) Washer, Flat, 0.27b 0.69d .05, Ss	4
	39 1030617	(002426–002797)) Latch, Cover	2
	40 1029748	(002426–002797)) Bracket, Keeper, Latch	2
	41 382320	(002426–002797)) Screw, Pan, Phl, 12–16 X 0.50, F/ Plstc	4
	42 1017101	(000000–) Plate, Label, Soltn Tank (ec–H20 only)	2
	43 360973	(000000–) Screw, Pan, 12–16 X 0.50, F/ Plstc (ec–H20 only)	4

Fig. 66 – Solution Tank Drain Group

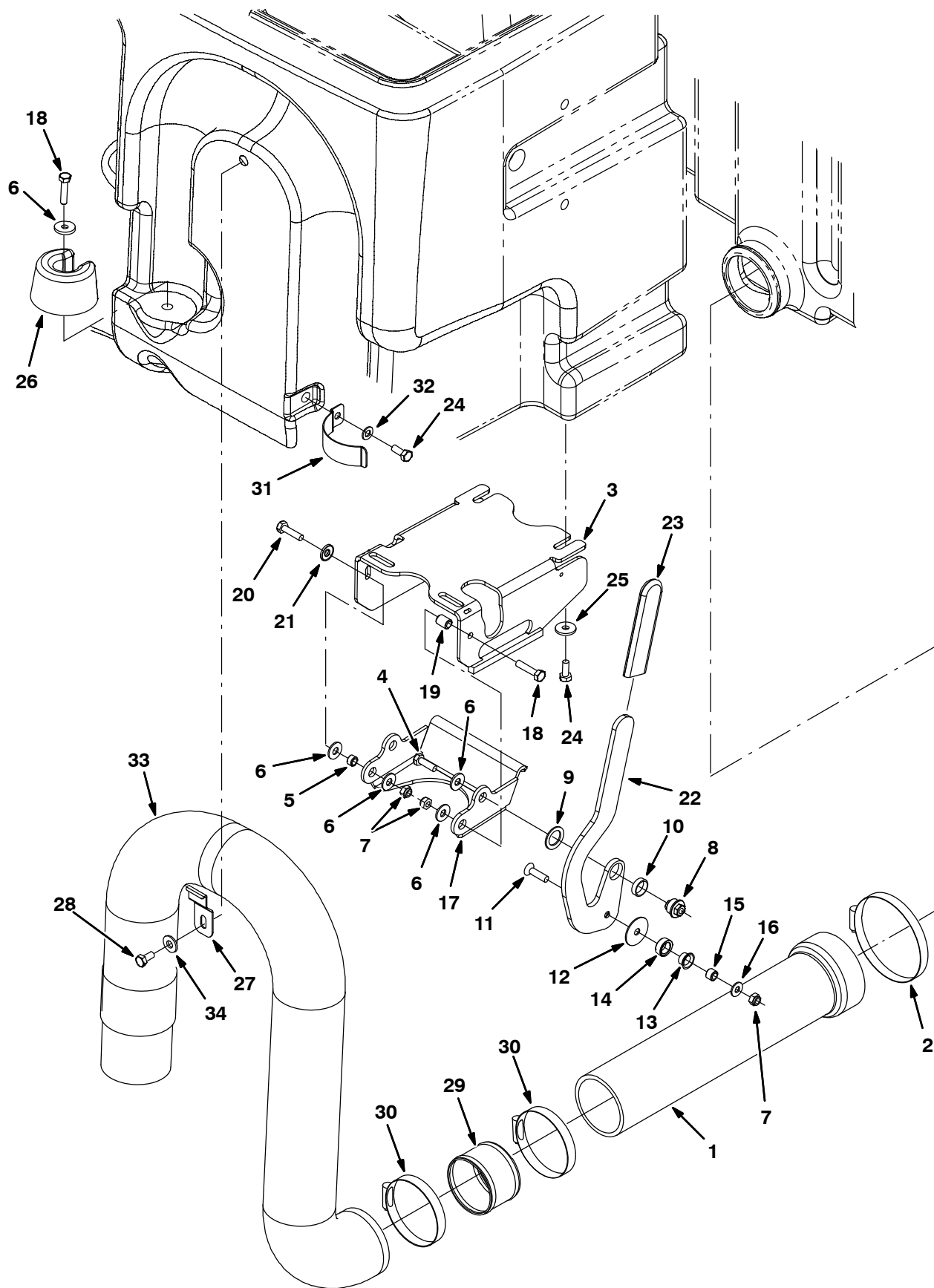


Fig. 66 – Solution Tank Drain Group

Ref.	Part No.	Serial Number	Description	Qty.
1	9003793	(000000–) Tube Kit, Tank, Soltn, Replmt	1
2	23498	(000000–) Clamp, Hose, Wormdrive, 3.56–4.50d, .50w	1
3	1042003	(000000–) Mount Wldt, Valve, Pinch, Rh	1
4	39277	(000000–) Screw, Hex, M8 X 1.25 X 25, 8.8	1
5	222516	(000000–) Sleeve, P/M, 0.31b 0.50d 0.3l [430ss]	1
6	32491	(000000–) Washer, Flat, 0.31, Std	5
7	08713	(000000–) Nut, Hex, Lock, M8 X 1.25, NI, Ss	3
8	1024599	(000000–) Bushing, Eccentric, Adj	1
9	1026051	(000000–) Washer, Flat, 0.79b 1.18d .06, Nyl	1
10	74090	(000000–) Bushing, Sleeve, 0.75b 0.88d 0.25l	1
11	79506	(000000–) Screw, Flt, M8 X 1.25 X 30, Ss	1
12	1028701	(000000–) Washer, Thrust, 0.34b 1.50d .06	1
13	15648	(000000–) Bushing, Flng, 0.50b 0.59d 0.38l	1
14	1028691	(000000–) Roller, Brg	1
15	1028690	(000000–) Tube, 0.50d 0.32b 00.4l, Ss	1
16	1017218	(000000–) Washer, Flat, 0.32b 1.00d .12, Ss	1
17	1024535	(000000–) Arm, Pinch	1
18	06955	(000000–) Screw, Hex, M8 X 1.25 X 35, 8.8	2
19	80395	(000000–) Sleeve, P/M, 0.31b 0.50d 0.7l [430ss]	1
20	76570	(000000–) Screw, Hex, M8 X 1.25 X 30, 8.8	1
21	41186	(000000–) Washer, Flat, Belleville, .31	1
22	1026727	(000000–) Handle, Valve, Pinch, Rh	1
23	1023502	(000000–) Grip, Handle	1
24	09740	(000000–) Screw, Hex, M8 X 1.25 X 20, Ss	5
25	1017218	(000000–) Washer, Flat, 0.32b 1.00d .12, Ss	4
26	1022137	(000000–) Plug, Hose, Pyu	1
27	1025480	(000000–) Bracket, Retaining, Hose	1
28	15675	(000000–) Screw, Hex, M8 X 1.25 X 16, Ss	1
29	1041953	(000000–) Tube, 2.90id 3.00od 02.4l, Ss	2
30	43555	(000000–) Clamp, Hose, Wormdrive, 2.50–3.50d, .50w	2
31	1024558	(000000–) Strap, Retaining, Hose	1
32	39349	(000000–) Washer, Flat, 0.31 Sae	1
33	1019424	(000000–) Hose, Drain, 3.00id X 48.0l	1
34	01685	(000000–) Washer, Flat, 0.31, Ss	2

Fig. 67 - Solution Control Group

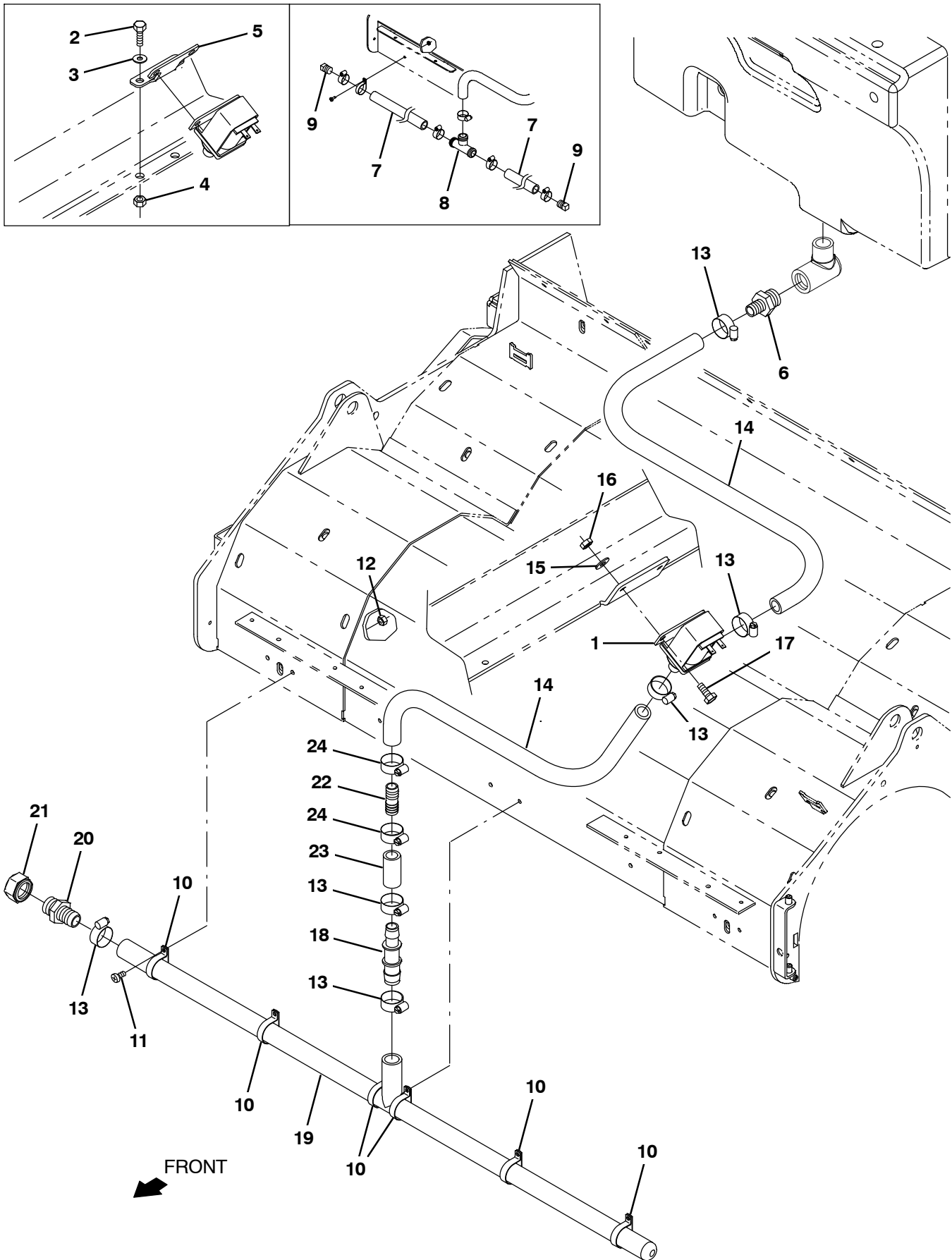


Fig. 67 – Solution Control Group

Ref.	Part No.	Serial Number	Description	Qty.
1	1067700	(000000–)	Valve Assy, Water, Solenoid , 12vdc	1
2	08716	(000000–002241)	Screw, Hex, M6 X 1.0 X 20, Ss	2
3	01684	(000000–002241)	Washer, Flat, 0.25, Ss	2
4	08712	(000000–002241)	Nut, Hex, Lock, M6 X 1.0, Ss, NI	2
5	1028074	(000000–002241)	Bracket, Mtg, Valve	1
6	79273–2	(000000–007259)	Fitting, Plstc, Str, Bm12/Pm12	1
6	365095	(007260–)	Fitting, Plstc, Str, Bm10/Pm12	1
7	1029185	(000000–002143)	Tube, Distribution, Water	2
8	41315	(000000–002143)	Fitting, Plstc, Tee, Bm12/Bm12/Bm12	1
9	17521	(000000–002143)	Fitting, Pipe, Plug, Pm08, Sq Head	2
10	50544	(000000–)	Clamp, Cable, Ss, 1.12d X 0.38w, 1h	6
11	09200	(000000–)	Screw, Pan, M5 X 0.8 X 12, Ss	6
12	09739	(000000–)	Nut, Hex, Lock, M5 X 0.8, NI, Ss	6
13	63810	(000000–)	Clamp, Hose, Wormdrive, 0.56–1.06d, .56w	8
14	1015045	(000000–007259)	Hose, Afmkt, Pvc, Brd 0.75id 08ft	1
14	1015032	(007260–)	Hose, Afmkt, Pvc, Brd, 0.62id, 08ft, Clr	1
15	01684	(000000–)	Washer, Flat, 0.25, Ss	2
16	08712	(000000–)	Nut, Hex, Lock, M6 X 1.0, Ss, NI	2
17	08716	(000000–)	Screw, Hex, M6 X 1.0 X 20, Ss	2
18	1038074	(002144–007259)	Fitting, Plstc, Str, Bm12/Bm12	1
18	363543	(007260–)	Fitting, Plstc, Str, Bm10/Bm12	1
19	1036997	(002144–)	Manifold, Bar, Spray, 37.5inch	1
20	79273–2	(002144–)	Fitting, Plstc, Str, Bm12/Pm12	1
21	1039064	(002144–)	Fitting, Plstc, Cap, Pf12 Hex	1
22	365164	(007260–)	Fitting, Plstc, Str, Bm10/Bm10	1
23	1015033	(007260–)	Hose, Afmkt, Pvc, Brd, 0.62id, 01ft, Clr	1
24	63810	(007260–)	Clamp, Hose, Wormdrive, 0.56–1.06d, .56w	2

Fig. 68 – Recovery Tank Group

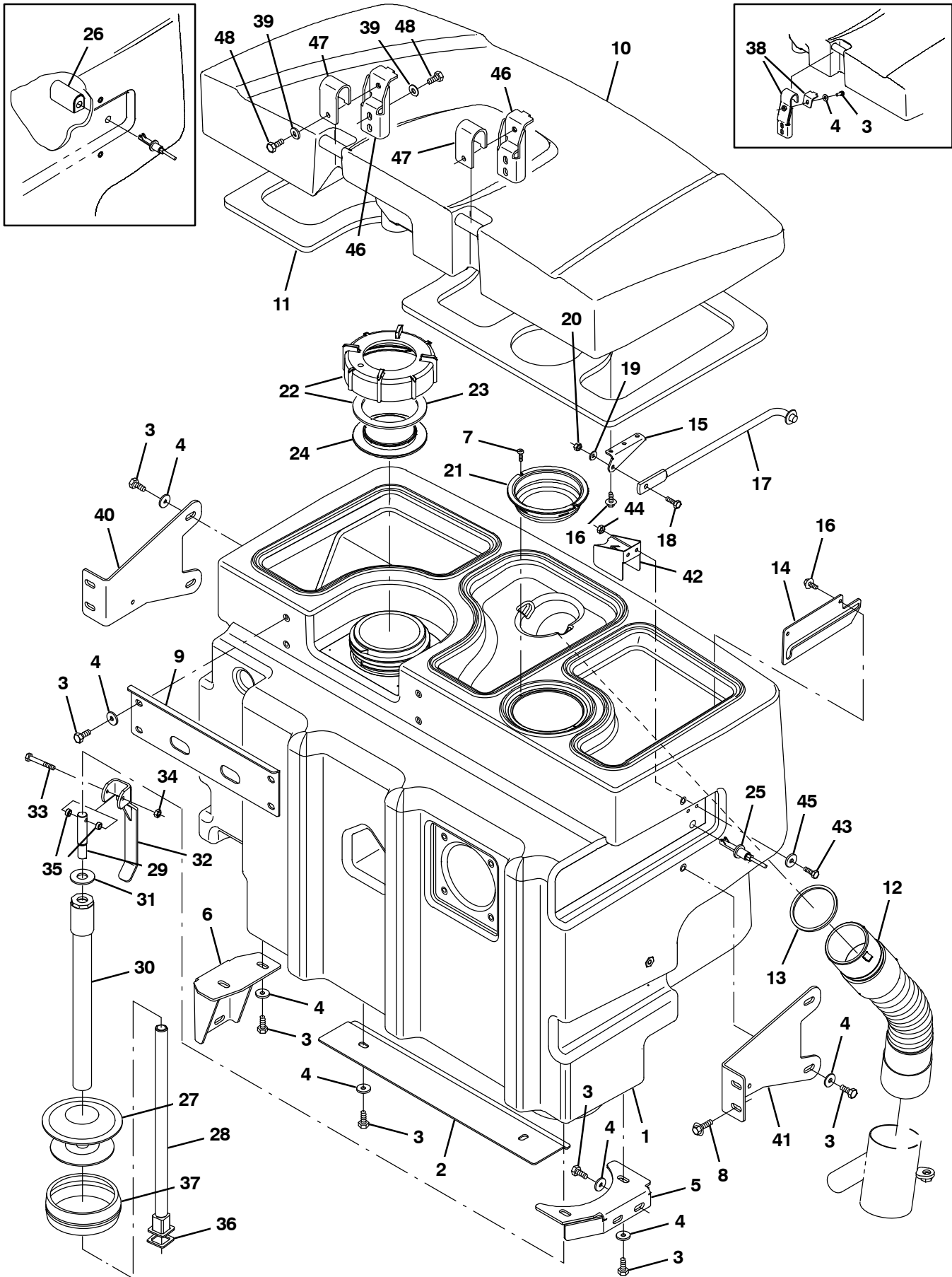


Fig. 68 – Recovery Tank Group

Ref.	Part No.	Serial Number	Description	Qty.
1	1021419	(000000–) Tank, Recvy, Trimmed	1
2	1024403	(000000–) Plate, Tank, Bottom	1
3	09740	(000000–) Screw, Hex, M8 X 1.25 X 20, Ss	17
4	1017218	(000000–) Washer, Flat, 0.32b 1.00d .12, Ss	15
5	1020335	(000000–) Bracket, Sppt, Tank, Lh	1
6	1020331	(000000–) Bracket, Sppt, Tank, Rh	1
7	382320	(000000–) Screw, Pan, #12–16 X 0.50, F/ Plstc	2
8	1037346	(000000–) Screw, Hex, M8 X 1.25 X 25, 9.8, Sems	4
9	1021090	(000000–) Plate, Sppt, Tank	1
10	1022167	(000000–) Cover, Tank, Recvy, Trimmed	1
11	1021879	(000000–) Gasket, Cover, Recvy Tank	1
12	1031610	(000000–) Hose Assy, Sqge	1
13	1021920	(000000–) Gasket, 3.23id 3.63od .16th, Ure	1
14	1025620	(000000–) Plate, Mtg, Prop Rod	1
15	1025619	(000000–) Bracket, Mtg, Prop Rod	1
16	1046798	(000000–) Screw, Hex, .25–14 X 0.75, Fmg/Ab, Ss	4
17	54615	(000000–) Arm Wldt, Safety, Sppt, Seat, .38d 10.11	1
18	08716	(000000–) Screw, Hex, M6 X 1.0 X 20, Ss	1
19	01684	(000000–) Washer, Flat, 0.25, Ss	1
20	08712	(000000–) Nut, Hex, Lock, M6 X 1.0, Ss, NI	1
21	1026014	(000000–) Screen, Vacuum	1
▽	22	24358	(000000–) Cap Assy, Tank, Drain	1
▲	23	1031699	(000000–) Gasket, 4.05id 5.29od .19 [Buna]	1
	24	86636	(000000–) Cover, Tank	1
	25	385685	(000000–) Sensor, Level, Liq, 14vdc 01a .62–11	1
	26	9003449	(000000–002024) Cover Kit, Switch, Float, Repair	1
▽		9003313	(000000–) Plug Kit, Drain, Recvy, Ci [M20 & T20]	1
▲	27	1022370	(000000–) Plug, Drain, Expandable, 4.75–6.00	1
▲	28	1028328	(000000–) Tube Wldt, Plug, Drain	1
▲	29	1028173	(000000–) Pin, Lift, Drain	1
▲	30	1072885	(000000–) Tube Assy, Plug, Drain	1
▲	31	1028522	(000000–) Washer, Flat, .78b 1.75d .18, Ss	1
▲	32	1028211	(000000–) Handle Wldt, Drain	1
▲	33	58979	(000000–) Screw, Hex, M6 X 1.0 X 55, Ss	1
▲	34	08712	(000000–) Nut, Hex, Lock, M6 X 1.0, Ss, NI	1
▲	35	360801	(000000–) Sleeve, 0.31b 0.50d 0.3l, Ss	2
▲	36	1035044	(000000–) Seal, Shaft, Drain Plug	1
▲	37	1039652	(000000–) Seal, Plug, Drain, Nitrile	1
	38	9003893	(000000–002418) Hinge Kit, Cover, Tank, Recvy, Replmt	2
	39	32491	(002419–) Washer, Flat, 0.31, Std	6
	40	1038941	(000000–) Bracket, Sppt, Tank, Rh	1
	41	1038927	(000000–) Bracket, Sppt, Tank, Lh	1
	42	1037816	(002025–) Bracket, Protector, Float Switch	1
	43	09007	(002025–) Screw, Hex, M6 X 1.00 X 25, Ss	2
	44	08712	(002025–) Nut, Hex, Lock, M6 X 1.00, Ss, NI	2
	45	76426	(002025–) Washer, Sealing, 0.28b 0.75d Ss, Neo	2
	46	1039072	(002419–) Bracket, Sppt, Cover, Tank, Recvy	2
	47	1039049	(002419–) Bracket, Mtg, Cover, Recvy Tank	2
	48	16735	(002419–) Screw, Hex, M8 X 1.25 X 16, 8.8	6

Fig. 69 – Recovery Tank Drain Group

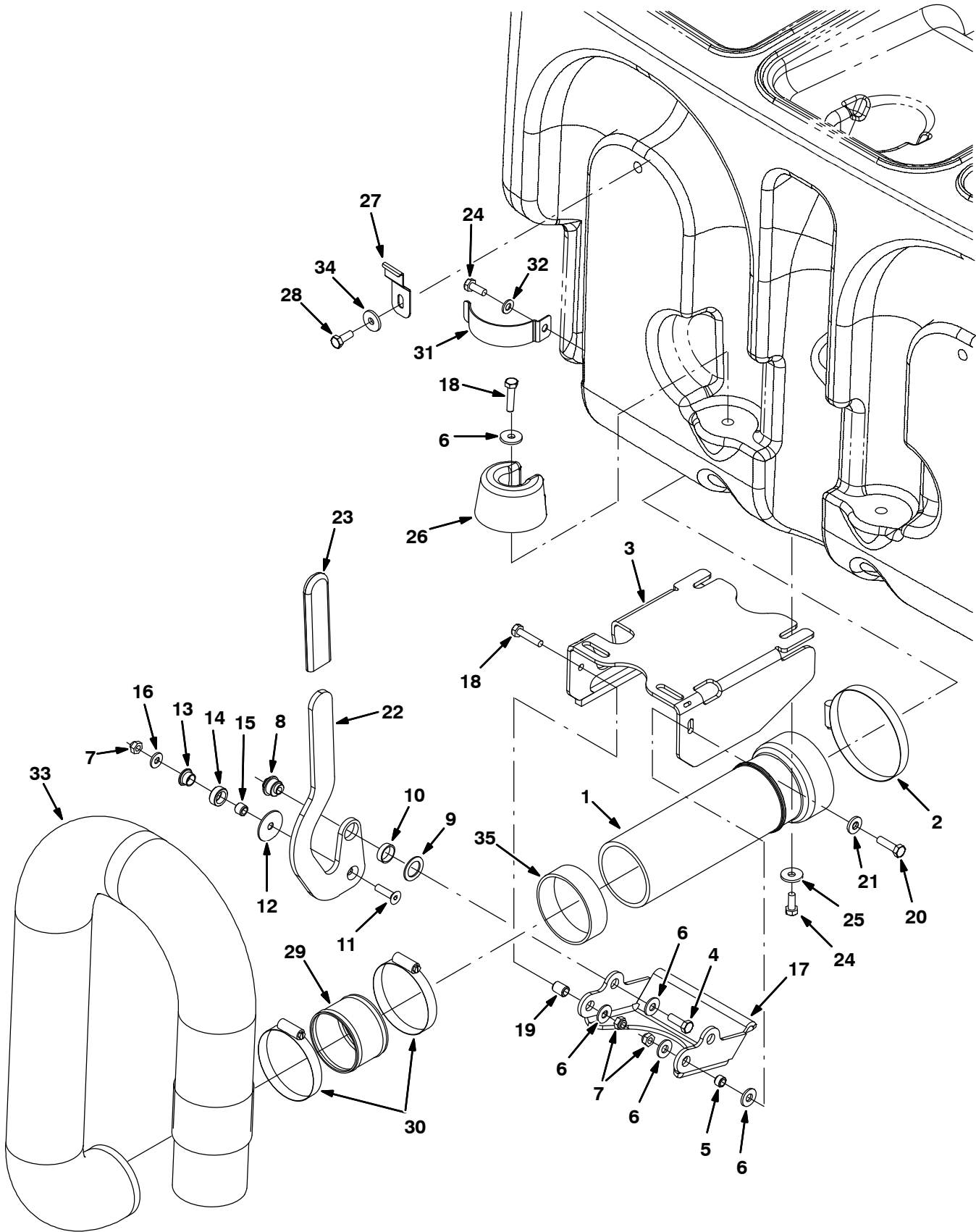


Fig. 69 – Recovery Tank Drain Group

Ref.	Part No.	Serial Number	Description	Qty.
1	9003794	(000000–) Tube Kit, Tank, Recvy, Replmt	1
2	23498	(000000–) Clamp, Hose, Wormdrive, 3.56–4.50d, .50w	1
3	1042010	(000000–) Mount Wldt, Valve, Pinch, Lh	1
4	39277	(000000–) Screw, Hex, M8 X 1.25 X 25, 8.8	1
5	222516	(000000–) Sleeve, P/M, 0.31b 0.50d 0.3l [430ss]	1
6	32491	(000000–) Washer, Flat, 0.31, Std	5
7	08713	(000000–) Nut, Hex, Lock, M8 X 1.25, NI, Ss	3
8	1024599	(000000–) Bushing, Eccentric, Adj	1
9	1026051	(000000–) Washer, Flat, 0.79b 1.18d .06, Nyl	1
10	74090	(000000–) Bushing, Sleeve, 0.75b 0.88d 0.25l	1
11	79506	(000000–) Screw, Flt, M8 X 1.25 X 30, Ss	1
12	1028701	(000000–) Washer, Thrust, 0.34b 1.50d .06	1
13	15648	(000000–) Bushing, Flng, 0.50b 0.59d 0.38l	1
14	1028691	(000000–) Roller, Brg	1
15	1028690	(000000–) Tube, 0.50d 0.32b 00.4l, Ss	1
16	1017218	(000000–) Washer, Flat, 0.32b 1.00d .12, Ss	1
17	1024535	(000000–) Arm, Pinch	1
18	06955	(000000–) Screw, Hex, M8 X 1.25 X 35, 8.8	2
19	80395	(000000–) Sleeve, P/M, 0.31b 0.50d 0.7l [430ss]	1
20	76570	(000000–) Screw, Hex, M8 X 1.25 X 30, 8.8	1
21	41186	(000000–) Washer, Flat, Belleville, .31	1
22	1027039	(000000–) Handle, Valve, Pinch, Lh	1
23	1023502	(000000–) Grip, Handle	1
24	09740	(000000–) Screw, Hex, M8 X 1.25 X 20, Ss	5
25	1017218	(000000–) Washer, Flat, 0.32b 1.00d .12, Ss	2
26	1022137	(000000–) Plug, Hose, Pyu	2
27	1025480	(000000–) Bracket, Retaining, Hose	1
28	15675	(000000–) Screw, Hex, M8 X 1.25 X 16, Ss	1
29	1041953	(000000–) Tube, 2.90id 3.00od 02.4l, Ss	1
30	43555	(000000–) Clamp, Hose, Wormdrive, 2.50–3.50d, .50w	2
31	1024558	(000000–) Strap, Retaining, Hose	1
32	39349	(000000–) Washer, Flat, 0.31 Sae	1
33	1019424	(000000–) Hose, Drain, 3.00id X 48.0l	1
34	01685	(000000–) Washer, Flat, 0.31, Ss	2
35	1031309	(000000–) Tube, Acrylic, Hose, Pinch	1

Fig. 70 - Vacuum Fan Group, Scrubbing (000000-006877)

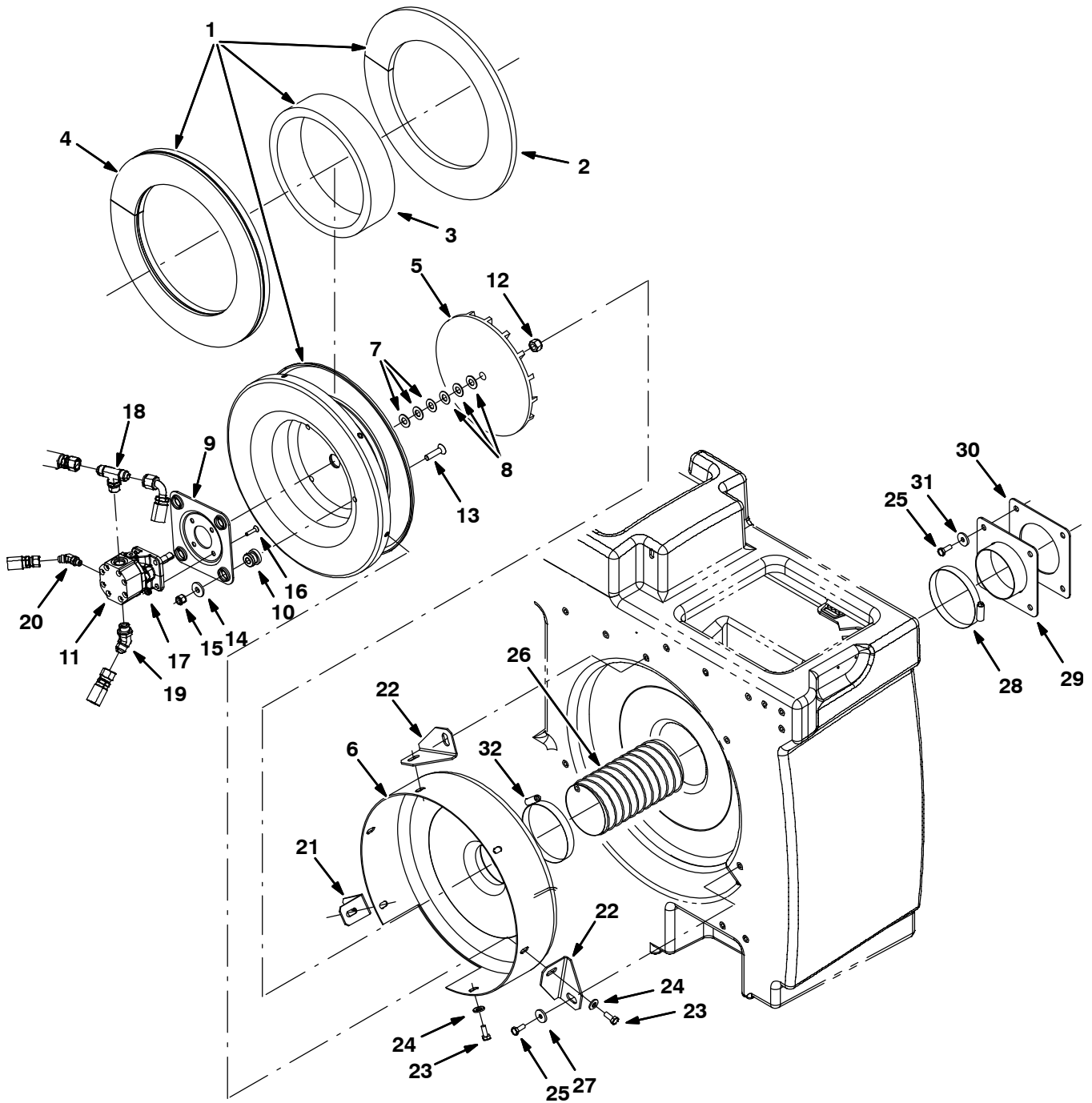


Fig. 70 – Vacuum Fan Group, Scrubbing (000000–006877)

Ref.	Part No.	Serial Number	Description	Qty.
▽	9003455	(000000–006877)	Fan Kit, Scrub, Replmt [M20/T20]	1
▲▽	1 9002684	(000000–006877)	Housing Assy, Vacfan, Scrbr	1
▲▲	2 1025888	(000000–006877)	Insulation, Flame–Retardant, 0.50	1
▲▲	3 1025887	(000000–006877)	Insulation, Flame–Retardant, 0.75–0.88	1
▲▲	4 1025872	(000000–006877)	Insulation, Flame–Retardant, 0.75–0.88	1
▲	5 03922	(000000–006877)	Impeller, 9.5d, 18 Bl	1
▲	6 57189	(000000–006877)	Housing Wldt, Vacfan, Front [528]	1
▲	7 75456–3	(000000–006877)	Shim, Washer, 0.88d 0.51b .020	3
▲	8 75456–4	(000000–006877)	Shim, Washer, 0.88d 0.51b .060	3
▲	9 54275A	(000000–006877)	Bracket, Mtg, Motor	1
▲	10 54274	(000000–006877)	Isolator, Vib, Bshg, 1.1d 0.6l .4b 0.78h	4
▲▽	11 9003461	(000000–006877)	Motor Kit, Replmt [M20&T20]	1
▲▲	00954	(000000–006877)	Key, Sq, 0.12 X 0.12, 1.00l (Included With Motor)	1
▲▲	74233	(000000–006877)	Kit, Seal, Motor, Hyd, Gear[Barns]	1
▲▲	12 41130	(000000–006877)	Nut, Low Crown, .50–20	1
▲▲	13 54861	(000000–006877)	Screw, Flt, .38–16 X 1.50, Al	4
▲▲	14 1014563	(000000–006877)	Washer, Flat, 0.40b 1.12d .12, Ss	4
▲▲	15 36643	(000000–006877)	Nut, Hex, Lock, .38–16, NI, Thin	4
▲▲	16 39534	(000000–006877)	Screw, Flt, .25–20 X 1.00, Al	4
▲▲	17 32981	(000000–006877)	Nut, Hex, Lock, .25–20, NI	4
▲▲	18 49933	(000000–006877)	Fitting, Hyd, Tee, Jm08/Jm08/Om08, Br	1
▲▲	19 42226	(000000–006877)	Fitting, Hyd, E45, Jm08/Om08	1
▲▲	20 392609	(000000–006877)	Fitting, Hyd, E45, Jm06/Om04	1
▲	21 1020320	(000000–006877)	Angle, Sppt, Fan	1
▲	22 1024891	(000000–006877)	Bracket, Mtg, Fan	2
▲	23 16931	(000000–006877)	Screw, Hex, M8 X 1.25 X 20, 8.8	6
▲	24 41186	(000000–006877)	Washer, Flat, Belleville, .31	6
	25 09740	(000000–006877)	Screw, Hex, M8 X 1.25 X 20, Ss	7
	26 1022377	(000000–006877)	Hose, Flex, 4.00d, 24.0l	1
	27 1014563	(000000–006877)	Washer, Flat, 0.40b 1.12d .12, Ss	3
	28 79380	(000000–006877)	Clamp, Hose, Wormdrive, 3.75–4.62d, .62w	1
	29 1023754	(000000–006877)	Plate Wldt, Hose, Vacuum	1
	30 1024853	(000000–006877)	Gasket, Plt, Hose, Vacuum	1
	31 1017218	(000000–006877)	Washer, Flat, 0.32b 1.00d .12, Ss	4
	32 23498	(000000–006877)	Clamp, Hose, Wormdrive, 3.56–4.50D, .50W	1

STANDARD PARTS

Fig. 71 - Vacuum Fan Group, Scrubbing (006878-)

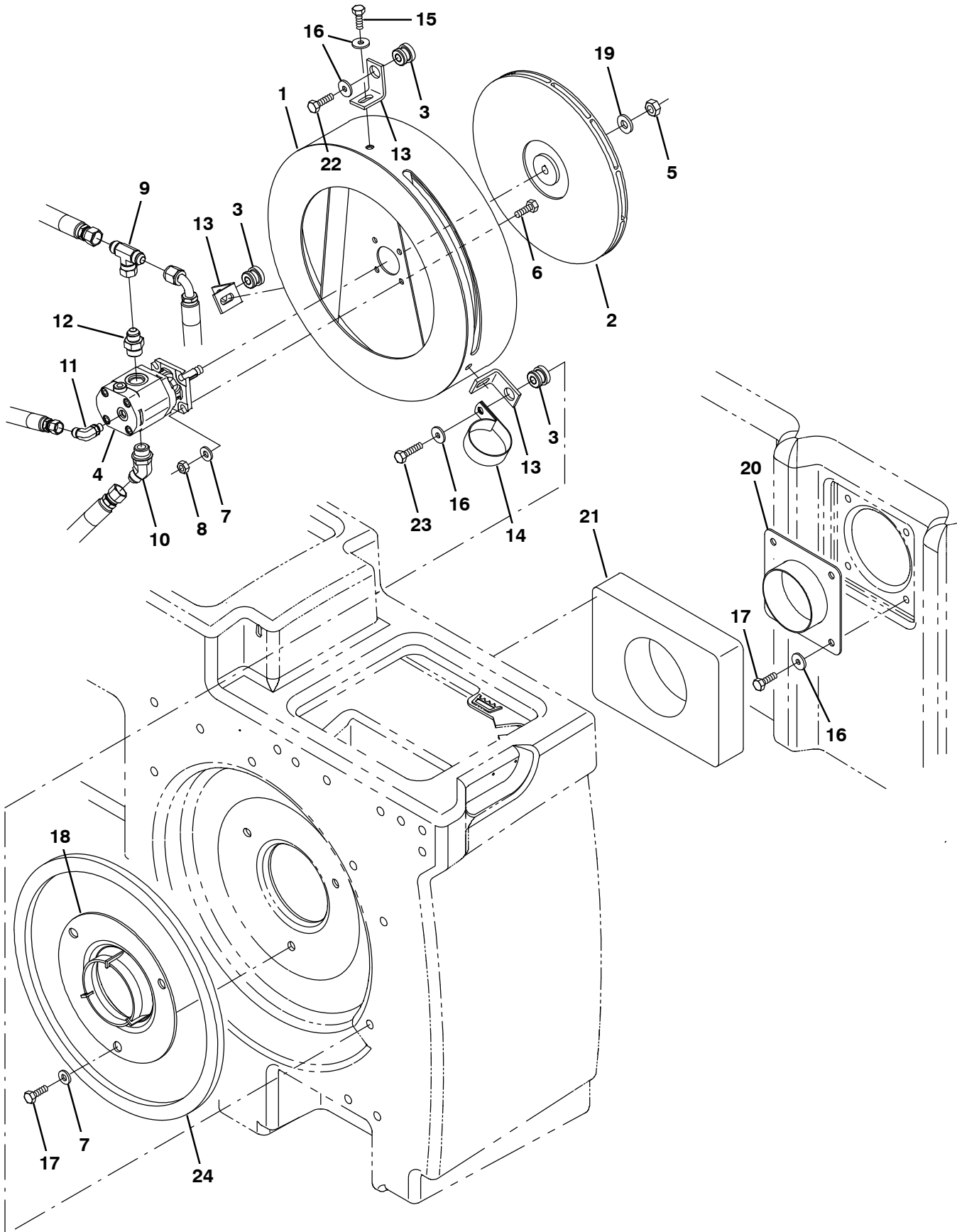


Fig. 71 – Vacuum Fan Group, Scrubbing (006878–)

Ref.	Part No.	Serial Number	Description	Qty.
1	1068611	(006878–)	Plate Wldt, Mtg, Fan	1
2	1062033	(006878–)	Impeller, 11.81d X 0.500b	1
3	54274	(006878–)	Isolator, Vib, Bshg, 1.1d 0.6l .4b 0.78h	3
4	1071253	(006878–)	Motor, Hyd, Gear, Ext 0.17 Lh 3000	1
5	07788	(006878–)	Nut, Hex, Std, M12 X 1.75, Ss	1
6	09010	(006878–)	Screw, Hex, M8 X 1.25 X 25, Ss	4
7	01685	(006878–)	Washer, Flat, 0.38b 0.88d .08, Ss	7
8	08713	(006878–)	Nut, Hex, Lock, M8 X 1.25, NI, Ss	4
9	76315	(006878–)	Fitting, Hyd, Tee, Jf08/Jm08/Jm08, Br	1
10	47513	(006878–)	Fitting, Hyd, E45, Jm08/Om10	1
11	77098	(006878–)	Fitting, Hyd, E90, Jm06/Om04	1
12	56692	(006878–)	Fitting, Hyd, Str, Jm08/Om10	1
13	1068644	(006878–)	Angle, Sppt, Fan	3
14	70157	(006878–)	Clamp, Cable, Ss, 2.50d X 1.00w, 1hole	1
15	39277	(006878–)	Screw, Hex, M8 X 1.25 X 25, 8.8	3
16	1017218	(006878–)	Washer, Flat, 0.32b 1.00d .12, Ss	10
17	09740	(006878–)	Screw, Hex, M8 X 1.25 X 20, Ss	7
18	1059100	(006878–)	Housing, Fan, Radial Discharge, Sq Inlet	1
19	36328	(006878–)	Washer, Flat, Belleville, .50	1
20	1023754	(006878–)	Plate Wldt, Hose, Vacuum	1
21	1060716	(006878–)	Gasket, 2.00, 07.87w 10.24l, Adh	1
22	09011	(006878–)	Screw, Hex, M8 X 1.25 X 30, Ss	2
23	09023	(006878–)	Screw, Hex, M8 X 1.25 X 35, FI, Ss	1
24	1068613	(006878–)	Gasket, Foam, .50, 14.76id 16.54od, Adh	1

Fig. 72 – Vacuum Fan Group, Sweeping

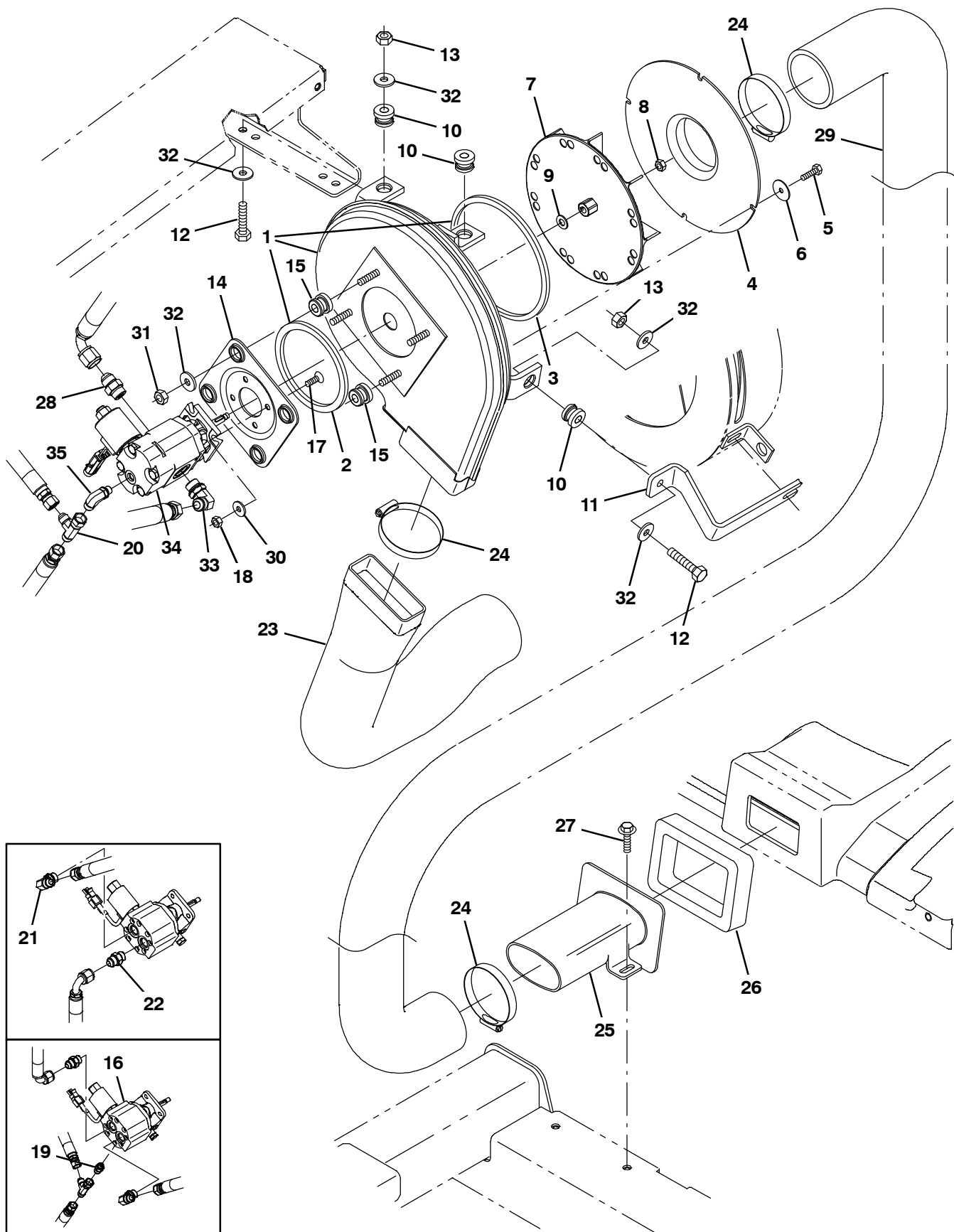
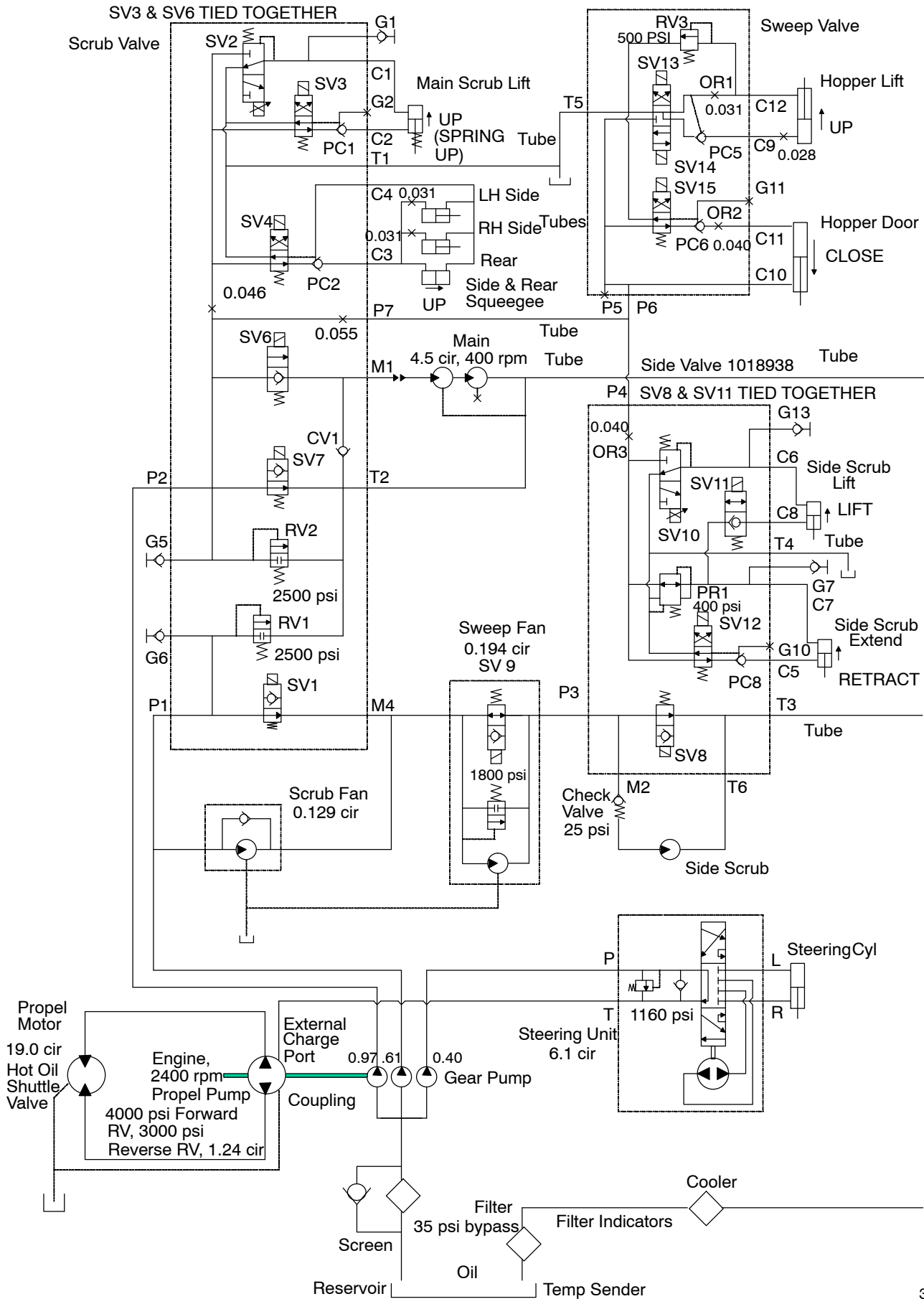


Fig. 72 – Vacuum Fan Group, Sweeping

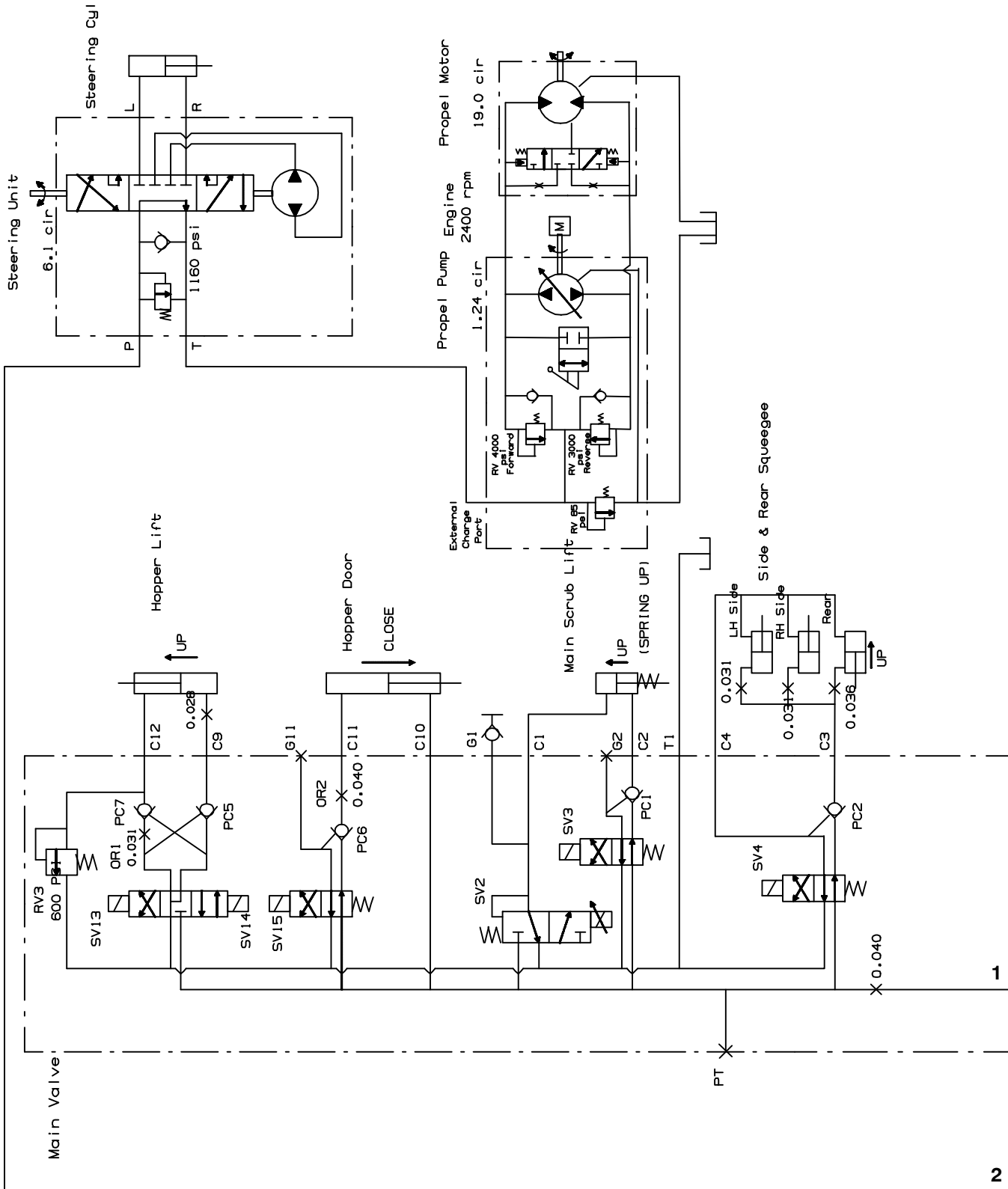
Ref.	Part No.	Serial Number	Description	Qty.
▽	1	9002683	(000000–) Housing Assy, Vacfan, Swpr	1
▲	2	59967	(000000–) Seal, Ure, 0.38 0.75w 13.2l Adh	1
▲	3	59735	(000000–) Seal, Ure, 0.38 0.75w 33.0l Adh	1
	4	1018216	(000000–) Fan Wldt, Vac, Inlet	1
	5	34323	(000000–) Screw, Hex, .25–20 X 0.75, NI	4
	6	41178	(000000–) Washer, Flat, 0.25 Fender	4
	7	74454	(000000–) Impeller, 9.00d X 1.40w X 0.376b	1
	8	31241	(000000–) Nut, Hex, Lock, .31–24, NI, Thin	1
	9	32485	(000000–) Washer, Flat, 0.38 Sae	1
	10	59649	(000000–) Isolator, Vib, Bshg, 1.1d 0.6l .4b 0.78h	3
	11	1034388	(000000–006877) Bar, Isolator, Vacfan [M20 2007]	1
	11	1074010	(006878–) Bar, Isolator, Vacfan [M20]	1
	12	39285	(000000–) Screw, Hex, M10 X 1.5 X 40, 8.8	3
	13	41430	(000000–) Nut, Hex, Lock, M10 X 1.5, NI	3
	14	54275A	(000000–) Bracket, Mtg, Motor	1
	15	54274	(000000–) Isolator, Vib, Bshg, 1.1d 0.6l .4b 0.78h	4
	16	53485	(000000–006877) Motor, Hyd, Gear, [Ex] .194 R 3000 (See Breakdowns)	1
	17	39534	(000000–) Screw, Flt, Soc, .25–20 X 1.00, AI	4
	18	32981	(000000–) Nut, Hex, Lock, .25–20, NI	4
	19	50960	(000000–006877) Fitting, Hyd, Str, Jm06/Om04	1
	20	42215	(000000–) Fitting, Hyd, Tee, Jf06/Jm06/Jm06, Run	1
	21	44868	(000000–001337) Fitting, Hyd, E90, Jm08/Om08	1
	22	44869	(000000–001337) Fitting, Hyd, Str, Jm08/Om08	1
	23	1025756	(000000–) Muffler, Vacfan, 4.0id	1
	24	23498	(000000–) Clamp, Hose, Wormdrive, 3.56–4.50d, .50w	3
	25	1025841	(000000–) Tube, Transition, Casting	1
	26	1018209	(000000–) Gasket, Hppr, Transition	1
	27	1037346	(000000–) Screw, Hex, M8 X 1.25 X 25, 9.8, Sems	2
	28	44869	(000000–) Fitting, Hyd, Str, Jm08/Om08	1
	29	1018252	(000000–) Hose, Flex, Vacuum, 3.5d 32.0l	1
	30	32483	(006878–) Washer, Flat, 0.25, Sae	4
	31	36643	(000000–) Nut, Hex, Lock, .38–16, NI, Thin	4
	32	1014563	(000000–) Washer, Flat, 0.40b 1.12d .12, Ss	10
	33	44868	(001338–) Fitting, Hyd, E90, Jm08/Om08	1
	34	1071240	(006878–) Motor, Hyd, Gear, Ext 0.17 Lh 3000	1
	35	77098	(006878–) Fitting, Hyd, E90, Jm06/Om04	1

Fig. 73 - Hydraulic Schematic (000000-002699)



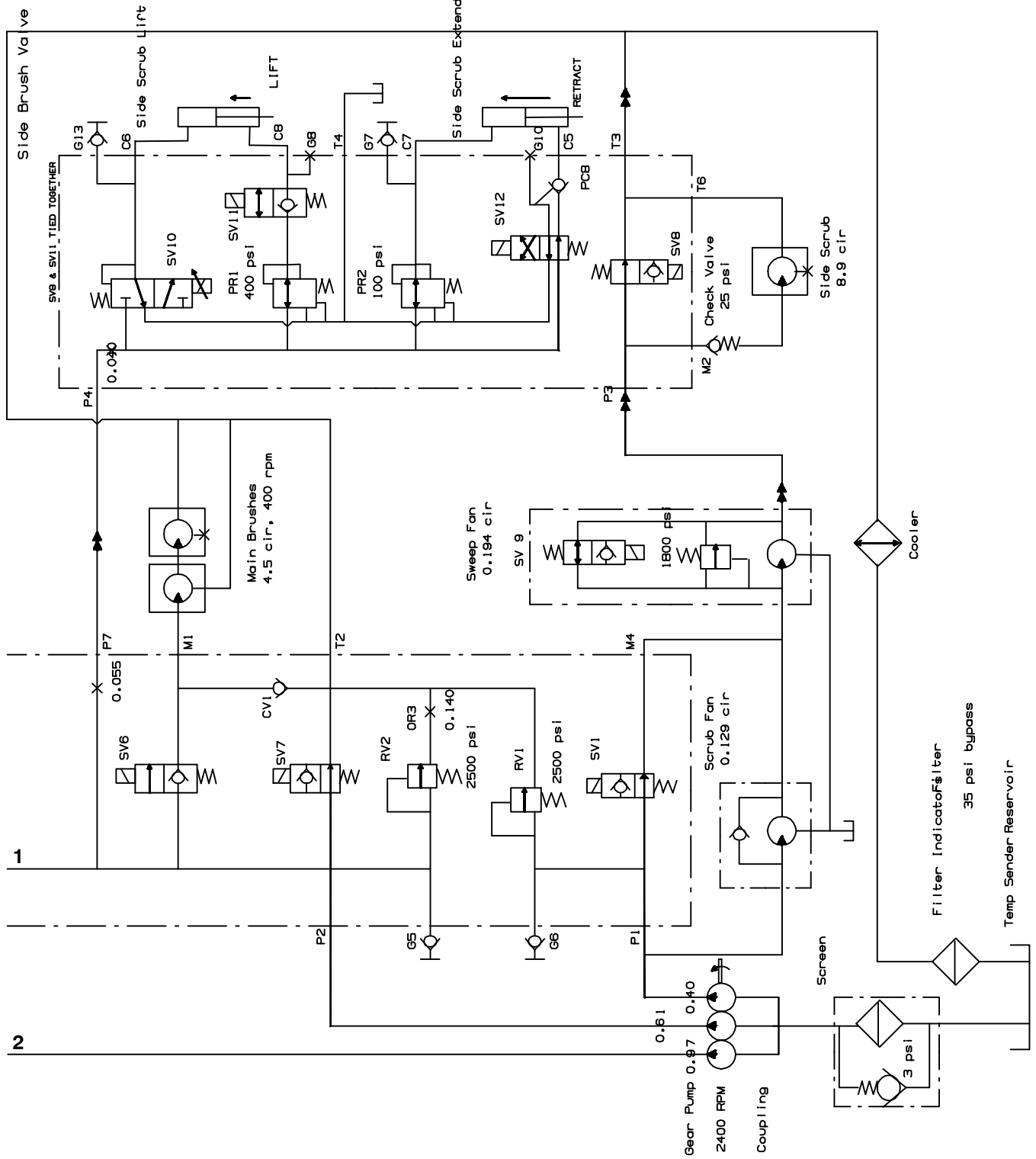
35445c

Fig. 74 – Hydraulic Schematic (002700-003297)



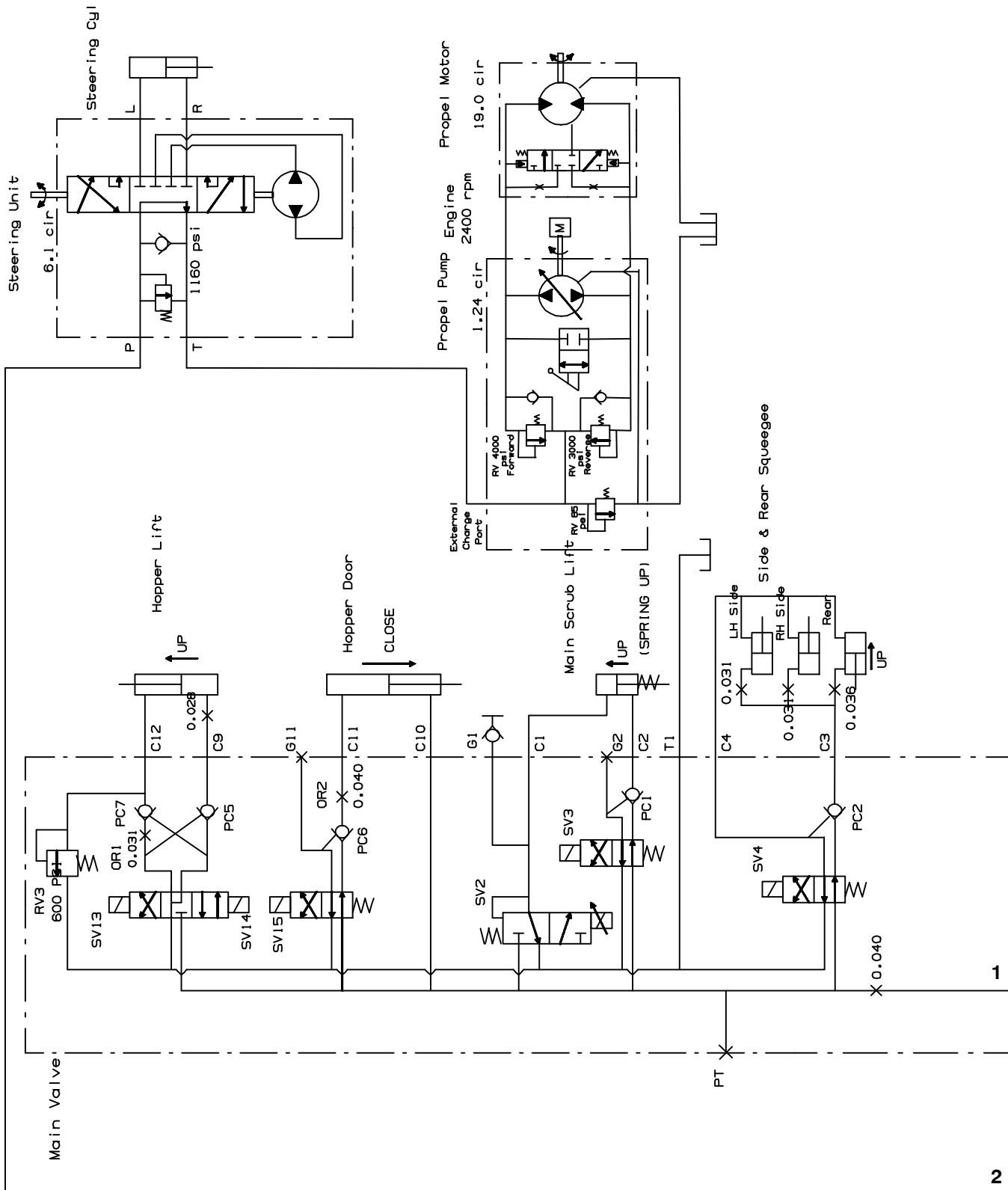
354453, 1018547 – M20

Fig. 74 - Hydraulic Schematic (002700-003297)



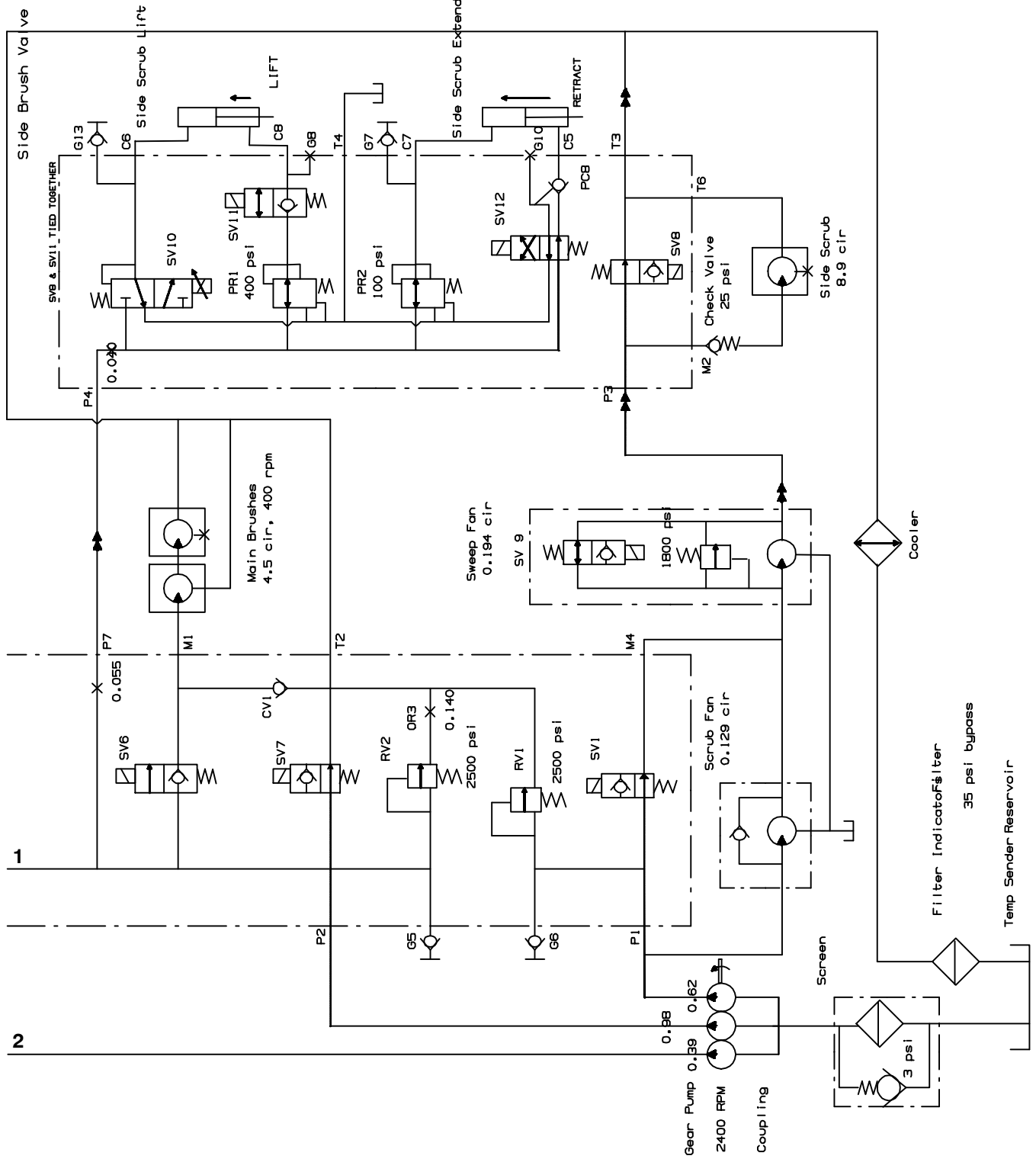
354453, 1018547 - M20

Fig. 75 – Hydraulic Schematic (003298-)



354453, 1018547 – M20

Fig. 75 - Hydraulic Schematic (003298-)



354453, 1018547 - M20

Fig. 76 – Hydraulic Hose Group, Steering and Propel

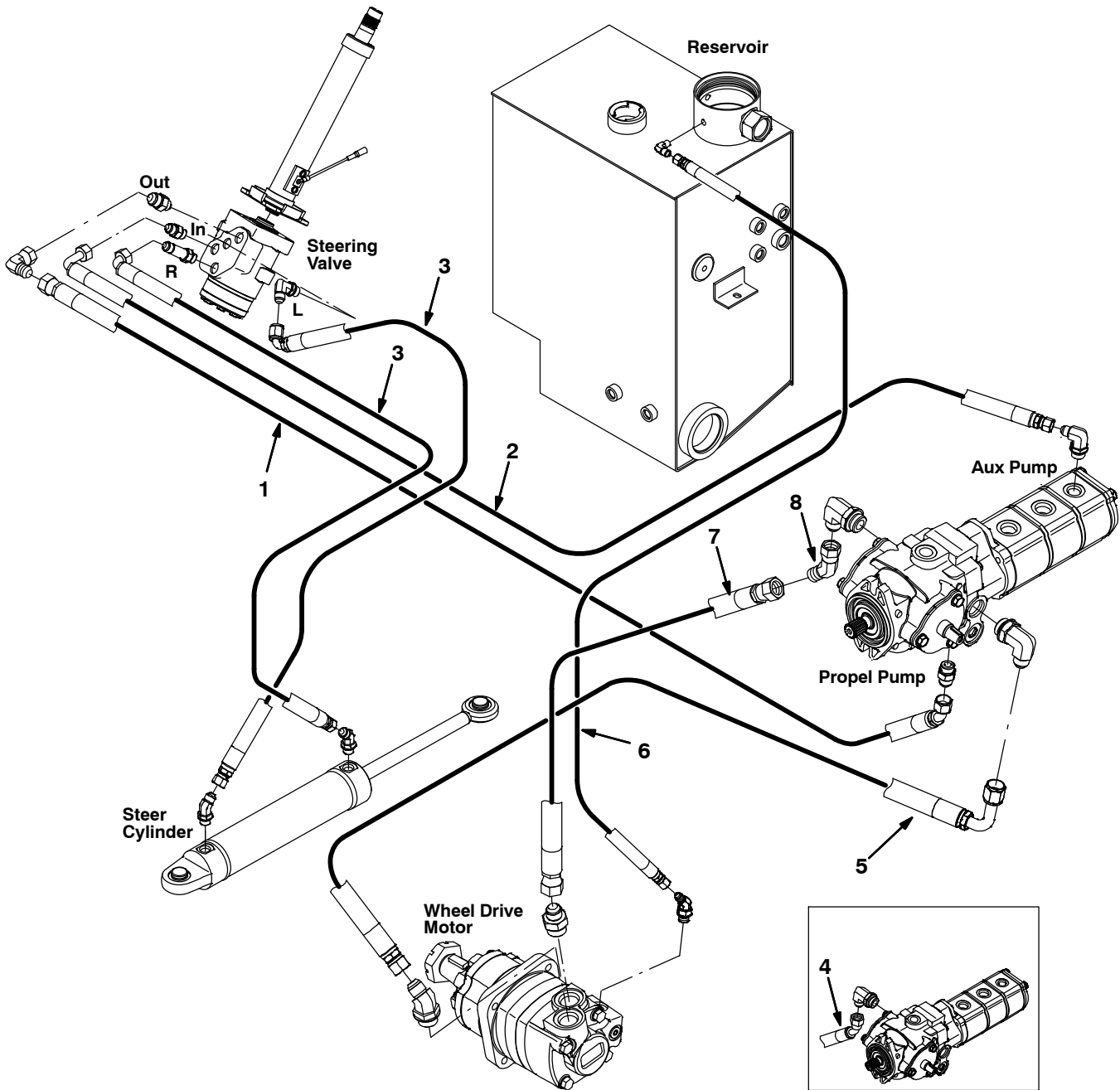


Fig. 76 – Hydraulic Hose Group, Steering and Propel

Ref.	Part No.	Serial Number	Description	Qty.
1	1023609	(000000–)	Hose, Hyd, Tc08, Jf08e45/Jf08str, 96.0	1
2	1023608	(000000–)	Hose, Hyd, Tc06, Jf06e90/Jf06str, 104.0	1
3	396221	(000000–)	Hose, Hyd, Tc06, Jf06e90/Jf06str, 040.0	2
4	1039148	(000000–002183)	Hose Kit, Hyd, Propel, Ci [M20/T20]	1
5	1023488	(000000–)	Hose, Hyd, Spcl, Jf10e90/Jf10str, 63.0	1
6	1030404	(000000–)	Hose, Hyd,Med04, Jf04str/Jf04str, 066.0	1
7	1038569	(002184–)	Hose, Hyd, Spcl, Jf10str/Jf10str, 56.5	1
8	54017	(002184–)	Fitting, Hyd, E45, Jf10/Jm10	1

STANDARD PARTS

Fig. 77 – Hydraulic Hose Group, Pump and Vacuum Fans (000000–006877)

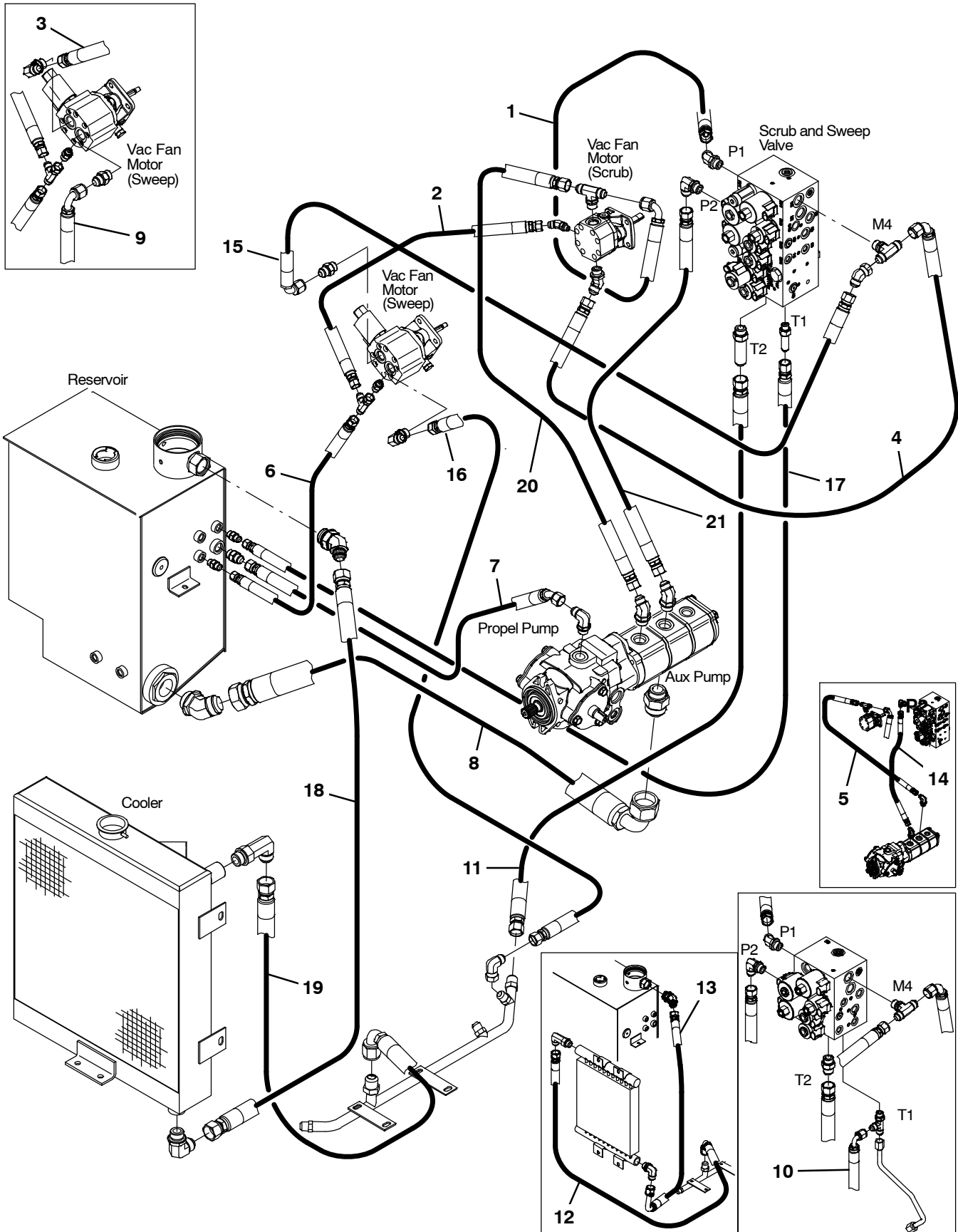


Fig. 77 – Hydraulic Hose Group, Pump and Vacuum Fans (000000–006877)

Ref.	Part No.	Serial Number	Description	Qty.
1	71741	(000000–006877)	Hose, Hyd, Tc08, Jf08e90/Jf08str, 046.0	1
2	361044	(000000–006877)	Hose, Hyd, Med06, Jf06str/Jf06str, 018.0	1
3	381862	(000000–001337)	Hose, Hyd, Tc08, Jf08str/Jf08str, 024.0	1
4	396255	(000000–006877)	Hose, Hyd, Tc08, Jf08str/Jf08e90, 031.0	1
5	1026645	(000000–003297)	Hose, Hyd, Tc08, Jf08e45/Jf08str, 26.0	1
6	16431	(000000–006877)	Hose, Hyd, Med06, Jf06str/Jf06str, 022.0	1
7	1023607	(000000–006877)	Hose, Hyd, Med08, Jf08str /Jf08e45, 21.0	1
8	1023611	(000000–006877)	Hose, Hyd, Suc20, Jf20str /Jf20e90, 29.0	1
9	396266	(000000–001337)	Hose, Hyd, Med08, Jf08e90/Jf08str, 031.0	1
10	71735	(000000–002699)	Hose, Hyd, Med06, Jf06e90/Jf06str, 042.0	1
11	1025547	(000000–002699)	Hose, Hyd, Med10, Jf10str/Jf10str, 41.0	1
11	1040655	(002700–006877)	Hose, Hyd, Med10, Jf10Str/Jf10Str, 036.0	1
12	396438	(000000–003038)	Hose, Hyd, Tc12, Jf12e90/Jf12str, 044.0	1
13	1023487	(000000–003038)	Hose, Hyd, Med12, Jf12e90/Jf12str, 50.0	1
14	1023606	(000000–003297)	Hose, Hyd, Tc08, Jf08str/Jf08str, 21.0	1
15	381858	(001338–002699)	Hose, Hyd, Tc08, Jf08e90/Jf08str, 024.0	1
15	1040216	(002700–005999)	Hose, Hyd, Tc08, Jf08E90/Jf08Str, 029.0	1
15	71741	(006000–006877)	Hose, Hyd, Tc08, Jf08e90/Jf08str, 046.0	1
16	1036945	(001338–006877)	Hose, Hyd, Tc08, Jf08str/Jf08str, 031.0	1
17	71556	(002700–006877)	Hose, Hyd, Med06, Jf06Str/Jf06Str, 042.0	1
18	1050437	(003039–005999)	Hose, Hyd, Med12, Jf12str/Jf12str, 052.0	1
18	1028145	(006000–006877)	Hose, Hyd, Med12, Jf12str/Jf12str, 066.0	1
19	1050436	(003039–006877)	Hose, Hyd, Med12, Jf12e90/Jf12str, 029.0	1
20	1026645	(003298–006877)	Hose, Hyd, Tc08, Jf08E45/Jf08Str, 026.0	1
21	1023606	(003298–006877)	Hose, Hyd, Tc08, Jf08Str/Jf08Str, 021.0	1

STANDARD PARTS

Fig. 78 – Hydraulic Hose Group, Pump and Vacuum Fans (006878-)

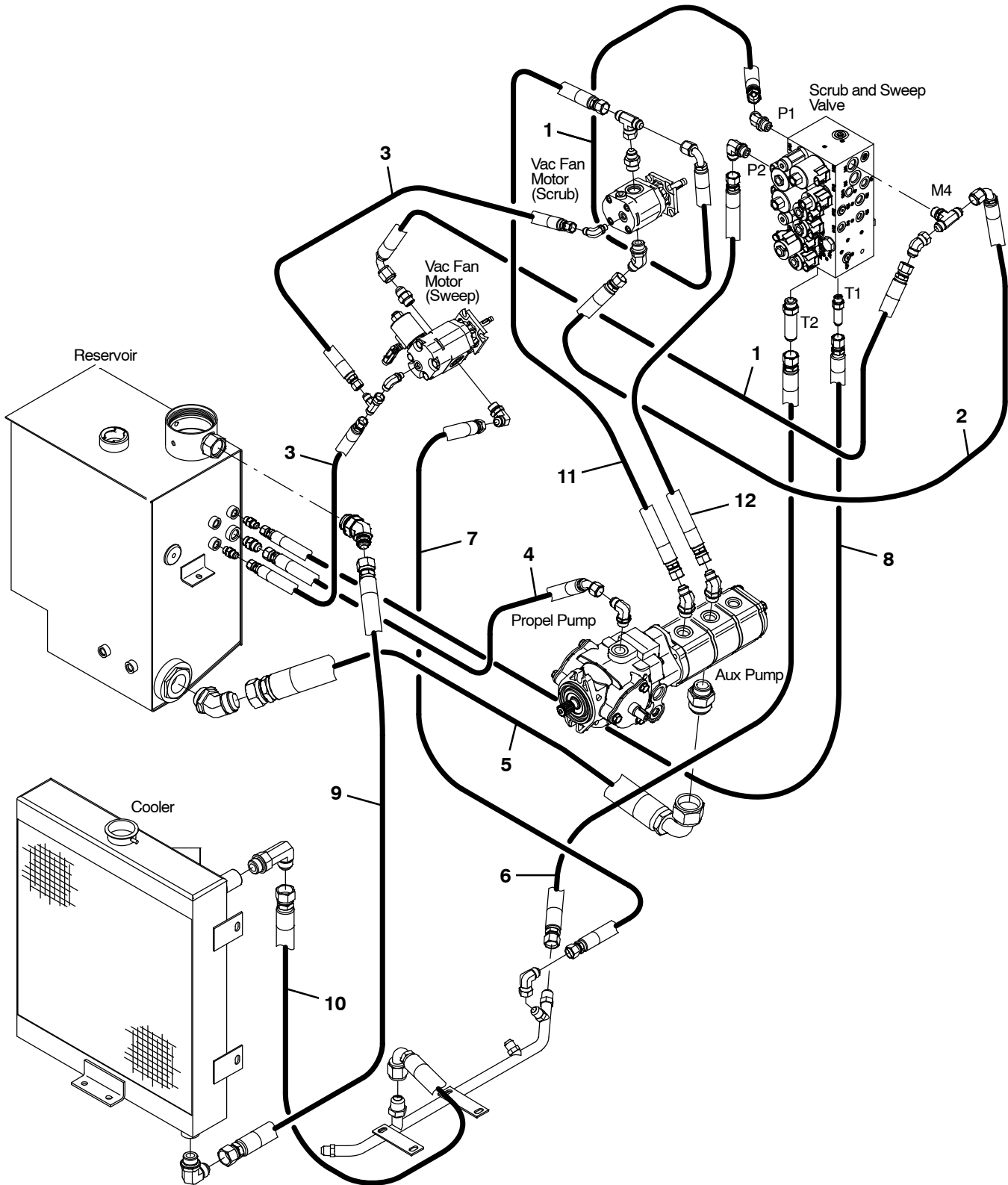


Fig. 77 – Hydraulic Hose Group, Pump and Vacuum Fans (006878–)

Ref.	Part No.	Serial Number	Description	Qty.
1	71741	(006878–)	Hose, Hyd, Tc08, Jf08e90/Jf08str, 046.0	2
2	396255	(006878–)	Hose, Hyd, Tc08, Jf08str/Jf08e90, 031.0	1
3	16431	(006878–)	Hose, Hyd, Med06, Jf06str/Jf06str, 022.0	2
4	1023607	(006878–)	Hose, Hyd, Med08, Jf08str /Jf08e45, 21.0	1
5	1023611	(006878–)	Hose, Hyd, Suc20, Jf20str /Jf20e90, 29.0	1
6	1040655	(006878–)	Hose, Hyd, Med10, Jf10Str/Jf10Str, 036.0	1
7	1036945	(006878–)	Hose, Hyd, Tc08, Jf08str/Jf08str, 031.0	1
8	71556	(006878–)	Hose, Hyd, Med06, Jf06Str/Jf06Str, 042.0	1
9	1028145	(006878–)	Hose, Hyd, Med12, Jf12str/Jf12str, 066.0	1
10	1050436	(006878–)	Hose, Hyd, Med12, Jf12e90/Jf12str, 029.0	1
11	1026645	(006878–)	Hose, Hyd, Tc08, Jf08E45/Jf08Str, 026.0	1
12	1023606	(006878–)	Hose, Hyd, Tc08, Jf08Str/Jf08Str, 021.0	1

Fig. 79 – Hydraulic Hose Group, Brush and Hopper

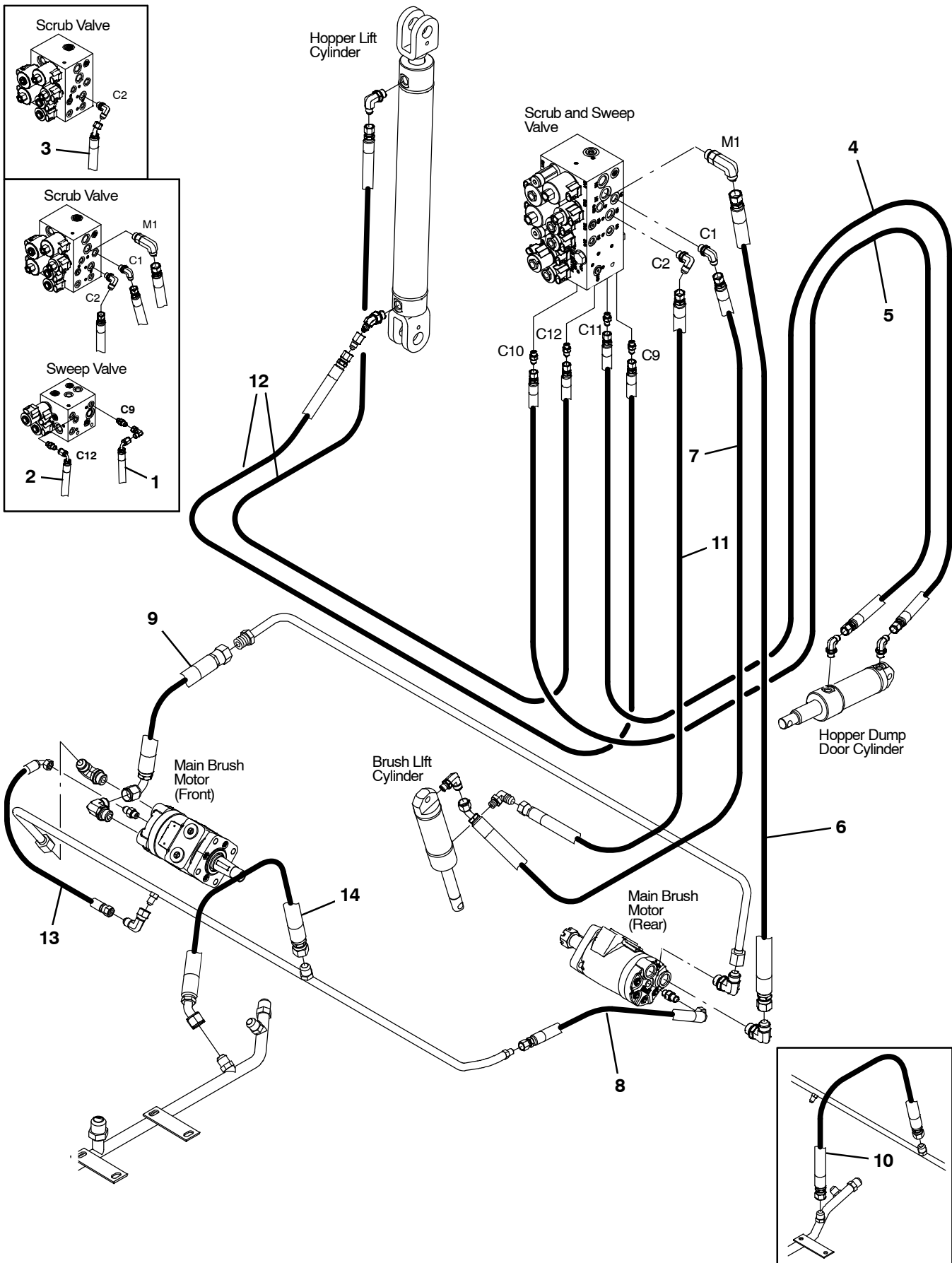


Fig. 79 – Hydraulic Hose Group, Brush and Hopper

Ref.	Part No.	Serial Number	Description	Qty.
1	1027320	(000000-002699)	Hose, Hyd, Tc04, Jf04str /Jf04e90, 88.0	1
2	1027321	(000000-002699)	Hose, Hyd, Tc04, Jf04str /Jf04e90, 70.0	1
3	1025548	(000000-001337)	Hose, Hyd, Tc06, Jf06str /Jf06e45, 54.0	1
4	1026733	(000000-002699)	Hose, Hyd, Spcl, Jf04str/Jf04str, 115.0	1
4	1042775	(002700-)	Hose, Hyd, Spcl, Jf04str/Jf04str, 133.0	1
5	1024688	(000000-002699)	Hose, Hyd, Spcl, Jf04str/Jf04str, 121.0	1
5	1042776	(002700-)	Hose, Hyd, Spcl, Jf04str/Jf04str, 127.0	1
6	1024764	(000000-)	Hose, Hyd, Tc08, Jf08str/Jf08str, 48.0	1
7	1023769	(000000-)	Hose, Hyd, Tc 06, Jf06str /Jf06e45, 56.0	1
8	57946	(000000-)	Hose, Hyd, Med04, Jf04e90/Jf04str, 016.0	1
9	1025544	(000000-)	Hose, Hyd, Tc08, Jf08e90/Jf08str, 13.0	1
10	51754	(000000-005999)	Hose, Hyd, Med08, Jf08str/Jf08str, 022.0	1
11	1036939	(001338-)	Hose, Hyd, Tc06, Jf06str/Jf06str, 054.0	1
12	1040628	(002700-)	Hose, Hyd, Tc04, Jf04str/Jf04str, 096.0	2
13	387281	(003057-)	Hose, Hyd, Tc04, Jf04e90/Jf04str, 020.0	1
14	364978	(006000-006697)	Hose, Hyd, Med08, Jf08e45/Jf08str, 029.0	1
14	1041391	(006698-)	Hose, Hyd, Tc08, Jf08e45/Jf08str, 018.0	1

Fig. 80 – Hydraulic Hose Group, Squeegee Lift

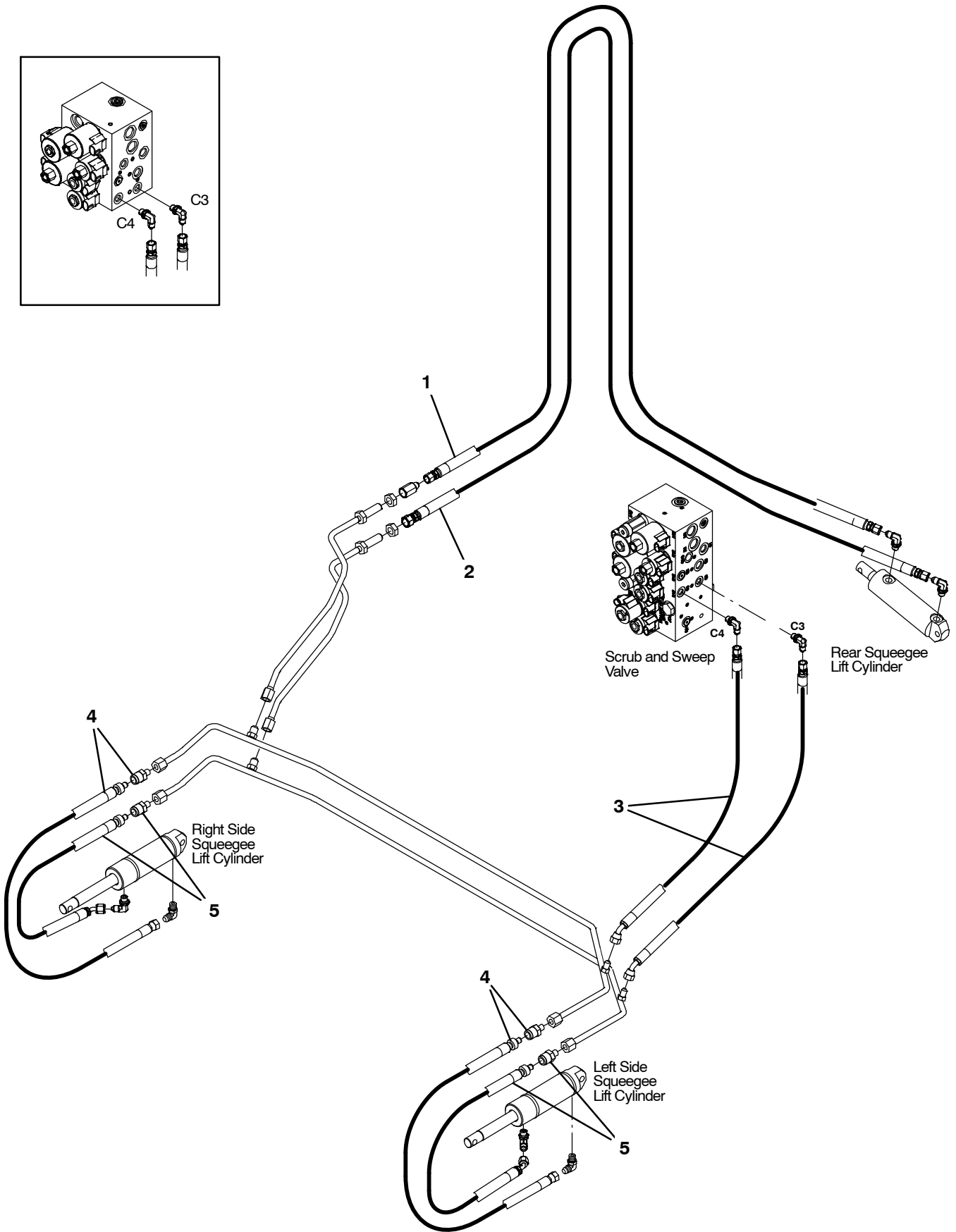


Fig. 80 – Hydraulic Hose Group, Squeegee Lift

Ref.	Part No.	Serial Number	Description	Qty.
1	1024688	(000000–) Hose, Hyd, Spcl, Jf04str/Jf04str, 121.0	1
2	1025551	(000000–) Hose, Hyd, Spcl, Jf04str/Jf06str, 125.0	1
3	1030709	(000000–) Hose, Hyd, Tc 04, Jf04str /Jf04e45 , 35.0	2
4	1037042	(000000–002555) Hose, Hyd, Tc04, Jf04e45/Qm06, 028.0	2
4	1045759	(002556–) Hose, Hyd, Tco4, Jf04Str/Qm06, 028.0	2
5	1037053	(000000–) Hose, Hyd, Tc04, Jf04e45/Qm06, 026.0	2

Fig. 81 – Hydraulic Pumps Group

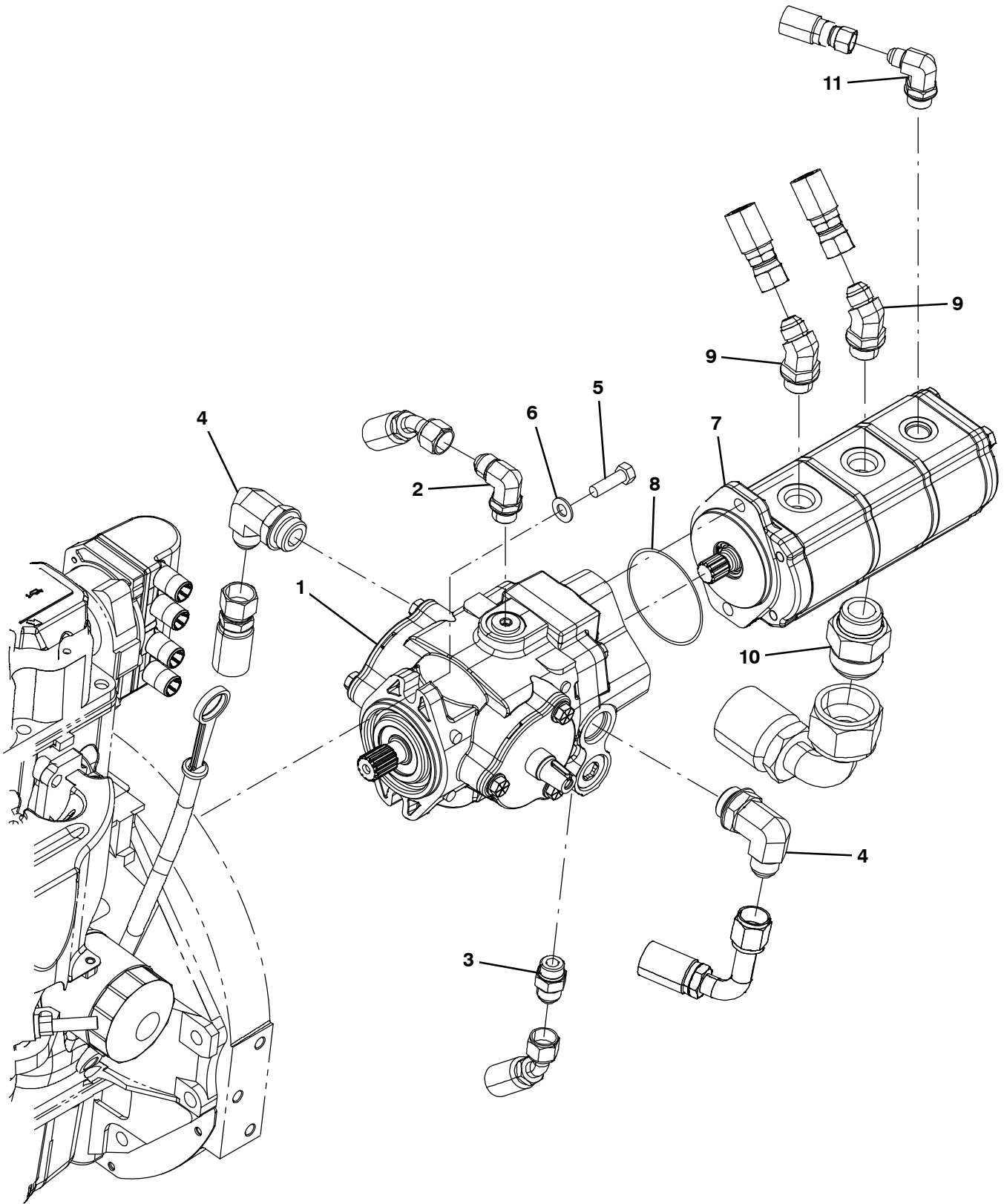


Fig. 81 – Hydraulic Pumps Group

Ref.	Part No.	Serial Number	Description	Qty.
1	1024251	(000000–) Pump, Hyd, Piston, Var, 1.24 4000, Cw (See Breakdowns)	1
2	44868	(000000–) Fitting, Hyd, E90, Jm08/Om08	1
3	44869	(000000–) Fitting, Hyd, Str, Jm08/Om08	1
4	53076	(000000–) Fitting, Hyd, E90, Jm10/Om12	2
5	21198	(000000–) Screw, Hex, .38–16 X 1.25, 5	2
6	32485	(000000–) Washer, Flat, 0.38 Sae	2
7	9007142	(000000–) Pump Kit, Mtg, Aux, Ci [M20 & T20]	1
8	65145–1	(000000–) Seal, Org, .069 X 3.06id	1
9	47513	(000000–) Fitting, Hyd, E45, Jm08/Om10	2
10	67811	(000000–) Fitting, Hyd, Str, Jm20/Om16	1
11	47512	(000000–) Fitting, Hyd, E90, Jm06/Om08	1

STANDARD PARTS

Fig. 82 – Hydraulic Cooler and Tubes Group

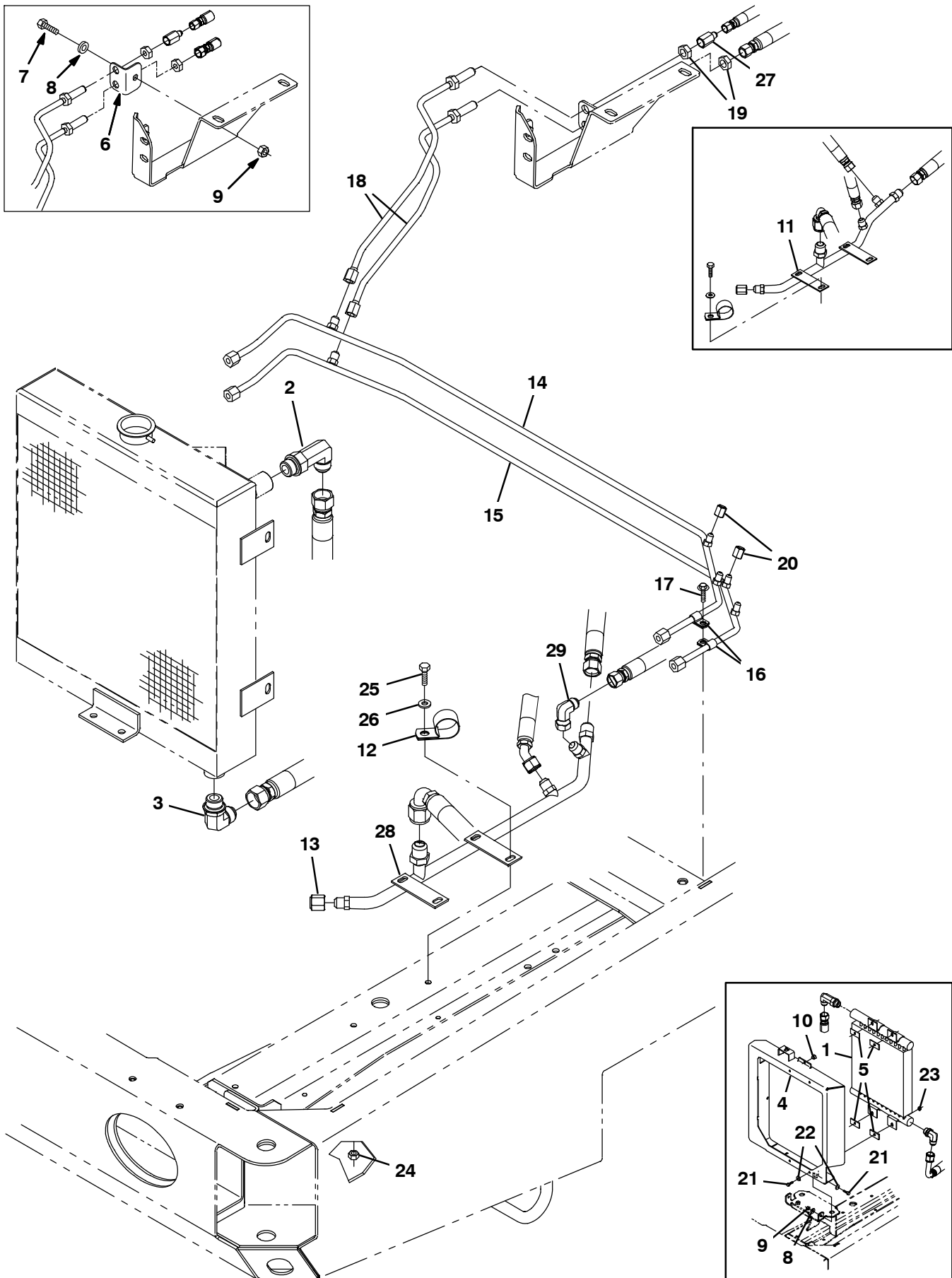


Fig. 82 – Hydraulic Cooler and Tubes Group

Ref.	Part No.	Serial Number	Description	Qty.
1	13698	(000000-003038)	Cooler, Hyd, 25gpm 325btu Of12 13x12x2	1
2	46481	(000000-)	Fitting, Hyd, E90, Jm12/Om12	1
3	62471	(000000-)	Fitting, Hyd, E90, Jm12/Om12, L	1
4	1026319	(000000-003038)	Bracket Wldt, Cooler, Hyd Fluid	1
5	1040318	(000000-003038)	Pad, Tank, Hyd [W/Psa]	4
6	1026647	(000000-007328)	Angle, Mtg, Stl, .12 1.6 1.6 02.2l	1
7	39283	(000000-007328)	Screw, Hex, M10 X 1.5 X 25, 8.8	1
8	32492	(000000-007328)	Washer, Flat, 0.38 Std	1
9	41430	(000000-007328)	Nut, Hex, Lock, M10 X 1.5, NI	1
10	51787	(000000-003038)	Bumper, Rbr, 0.6d 0.34t .3d Tip	1
11	1036959	(000000-005999)	Tube, Hyd, Main Return	1
12	53466	(000000-)	Clamp, Cable, Stl, 1.50d X 1.00w, 1h	1
13	60090	(000000-)	Fitting, Hyd, Cap, Jf08	1
14	1028821	(000000-)	Tube, Hyd, Sqge	1
15	1028822	(000000-)	Tube, Hyd, Sqge	1
16	40678	(000000-)	Clamp, Cable, Stl, 0.44d X 0.62w, 1h	2
17	74455	(000000-)	Screw, Hex, M6 X 1.0 X 12, Fmg	1
18	1028823	(000000-)	Tube, Hyd, Rear Sqge [M20]	2
19	35904	(000000-)	Nut, Ftg, Hyd, 0.56-18	2
20	50161	(000000-)	Fitting, Hyd, Cap, Jf04	2
21	39277	(000000-003038)	Screw, Hex, M8 X 1.25 X 25, 8.8	8
22	32491	(000000-003038)	Washer, Flat, 0.31, Std	8
23	07791	(000000-003038)	Nut, Hex, FIng, M8 X 1.25	8
24	41430	(000000-)	Nut, Hex, Lock, M10 X 1.5, NI	2
25	39277	(000000-)	Screw, Hex, M8 X 1.25 X 25, 8.8	2
26	32491	(000000-)	Washer, Flat, 0.31, Std	2
27	47752	(000000-)	Fitting, Hyd, Str, Jf06/Jm04	1
28	1071173	(006000-)	Tube, Hyd, Main Return [G/Lp Mit2013]	1
29	17980	(006000-)	Fitting, Hyd, E90, Jf08/Jm08	1

Fig. 83 – Hydraulic Reservoir Group

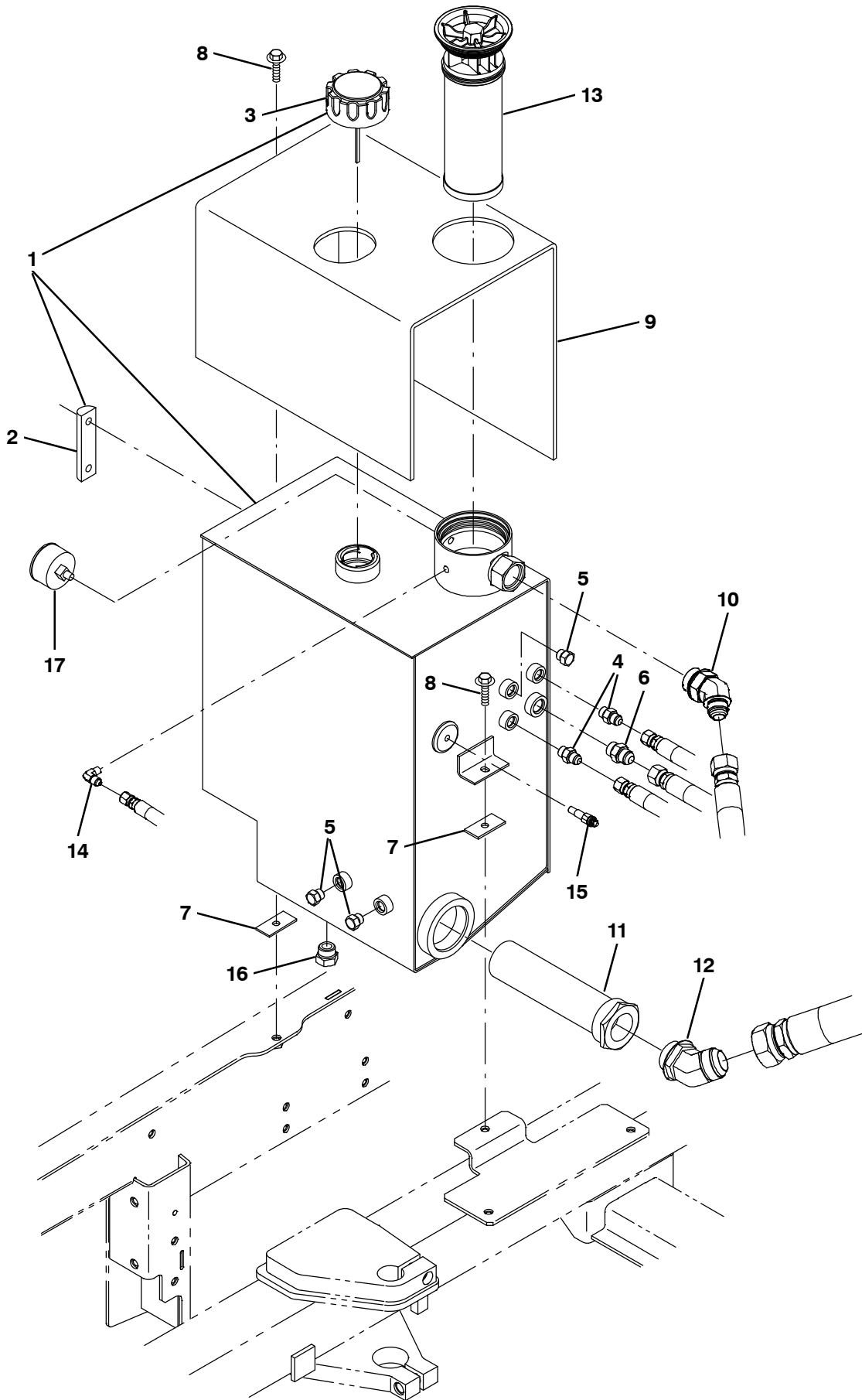


Fig. 83 - Hydraulic Reservoir Group

	Ref.	Part No.	Serial Number	Description	Qty.
▽	1	9002398	(000000-) Reservoir, Hyd, 10.0Gal, Replmt	1
▲	2	65215	(000000-) Gauge, Sensing, Level	1
▲	3	25122	(000000-) Cap, Breather, Hyd, 2.4 Ds	1
	4	56690	(000000-) Fitting, Hyd, Str, Jm06/Om06	2
	5	46482	(000000-) Fitting, Hyd, Plug, Om06	3
	6	44869	(000000-) Fitting, Hyd, Str, Jm08/Om08	1
	7	1040318	(000000-) Pad, Tank, Hyd [W/Psa]	2
	8	1037354	(000000-) Screw, Hex, M8 X 1.25 X 30, 9.8, Sems	2
	9	1034878	(000000-) Insulation, Thermal, Hydraulic Blanket	1
	10	1023545	(000000-) Fitting, Hyd, E45, Jm12/Om16	1
	11	31613	(000000-) Strainer, Hyd, 25gpm 100mesh Psi	1
	12	71726	(000000-) Fitting, Hyd, E45, Jm20/Om20	1
	13	1021579	(000000-) Filter Assy, Hyd, 10mic	1
	14	55455	(000000-) Fitting, Hyd, E90, Jm04/Pm02	1
	15	58592	(000000-) Send-Unit, Water, Temp, 04npt 113oh/195d	1
	16	40362	(000000-) Fitting, Hyd, Plug, Om10	1
	17	1025132	(000000-) Indicator, Press, 60psi	1

Fig. 84 - Hydraulic Valves Group (000000-002699)

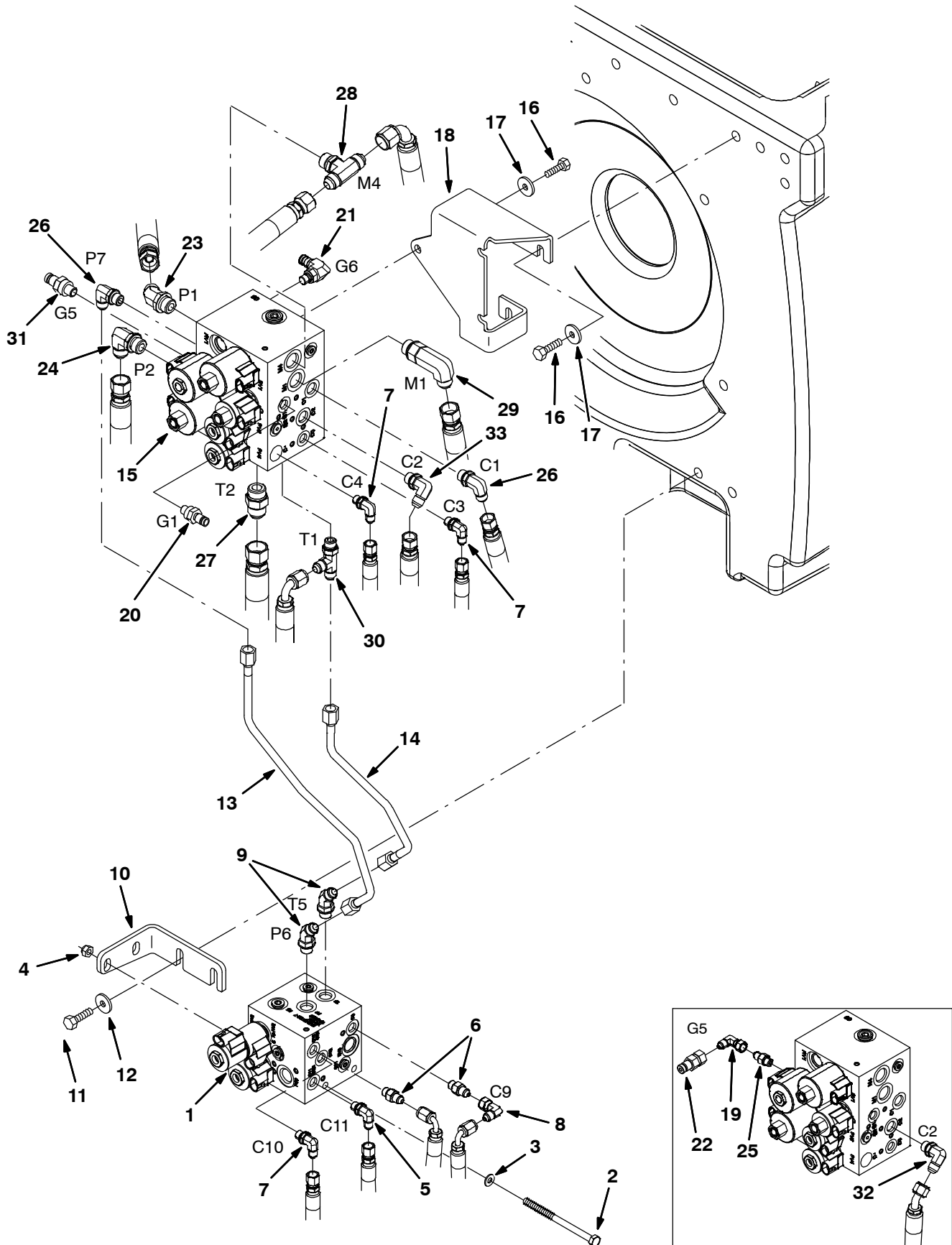


Fig. 84 – Hydraulic Valves Group (000000–002699)

Ref.	Part No.	Serial Number	Description	Qty.
1	1018936	(000000–002699)	Valve, Cntrl, Hyd [M20] (See Breakdowns)	1
2	49883	(000000–002699)	Screw, Hex, M8 X 1.25 X 120, 8.8, FI	2
3	32491	(000000–002699)	Washer, Flat, 0.31, Std	2
4	08709	(000000–002699)	Nut, Hex, Lock, M8 X 1.25, NI	2
5	77097	(000000–002699)	Fitting, Hyd, E90, Jm04/Om04	2
6	55586	(000000–002699)	Fitting, Hyd, Str, Jm04/Om04	2
7	77097	(000000–002699)	Fitting, Hyd, E90, Jm04/Om04	2
8	39210	(000000–002699)	Fitting, Hyd, E90, Jf04/Jm04	1
9	47522	(000000–002699)	Fitting, Hyd, E45, Jm06/Om06	2
10	1020708	(000000–002699)	Bracket, Mtg, Valve, Hyd, Swp	1
11	09740	(000000–002699)	Screw, Hex, M8 X 1.25 X 20, Ss	2
12	1017218	(000000–002699)	Washer, Flat, 0.32b 1.00d .12, Ss	2
13	1022482	(000000–002699)	Tube, Hyd, Swp	1
14	1022484	(000000–002699)	Tube, Hyd, Swp	1
15	1020394	(000000–002699)	Valve, Cntrl, Hyd (See Breakdowns)	1
16	09740	(000000–002699)	Screw, Hex, M8 X 1.25 X 20, Ss	6
17	1017218	(000000–002699)	Washer, Flat, 0.32b 1.00d .12, Ss	6
18	1021991	(000000–002699)	Bracket, Mtg, Valve, Hyd, Scb	1
19	39210	(000000–001271)	Fitting, Hyd, E90, Jf04/Jm04	1
20	395973	(000000–002699)	Fitting, Hyd, Str, Om04/Qm04	1
21	395974	(000000–002699)	Fitting, Hyd, E90, Om04/Qm04	1
22	396476	(000000–001271)	Fitting, Hyd, Str, Jf04/Qm04	1
23	42226	(000000–002699)	Fitting, Hyd, E45, Jm08/Om08	1
24	44868	(000000–002699)	Fitting, Hyd, E90, Jm08/Om08	1
25	55586	(000000–001271)	Fitting, Hyd, Str, Jm04/Om04	1
26	56820	(000000–002699)	Fitting, Hyd, E90, Jm06/Om06	2
27	46480	(000000–002699)	Fitting, Hyd, Str, Jm10/Om10	1
28	49933	(000000–002699)	Fitting, Hyd, Tee, Jm08/Jm08/Om08, Br	1
29	69173	(000000–002699)	Fitting, Hyd, E90, Jm08/Om08, L	1
30	76316	(000000–002699)	Fitting, Hyd, Tee, Jm06/Jm06/Om06, Run	1
31	395973	(001272–026999)	Fitting, Hyd, Str, Om04/Qm04	1
32	56820	(000000–001337)	Fitting, Hyd, E90, Jm06/Om06	1
33	71727	(001338–026999)	Fitting, Hyd, E90, Jm06/Om06, L	1

Fig. 85 – Hydraulic Valve Group (002700-)

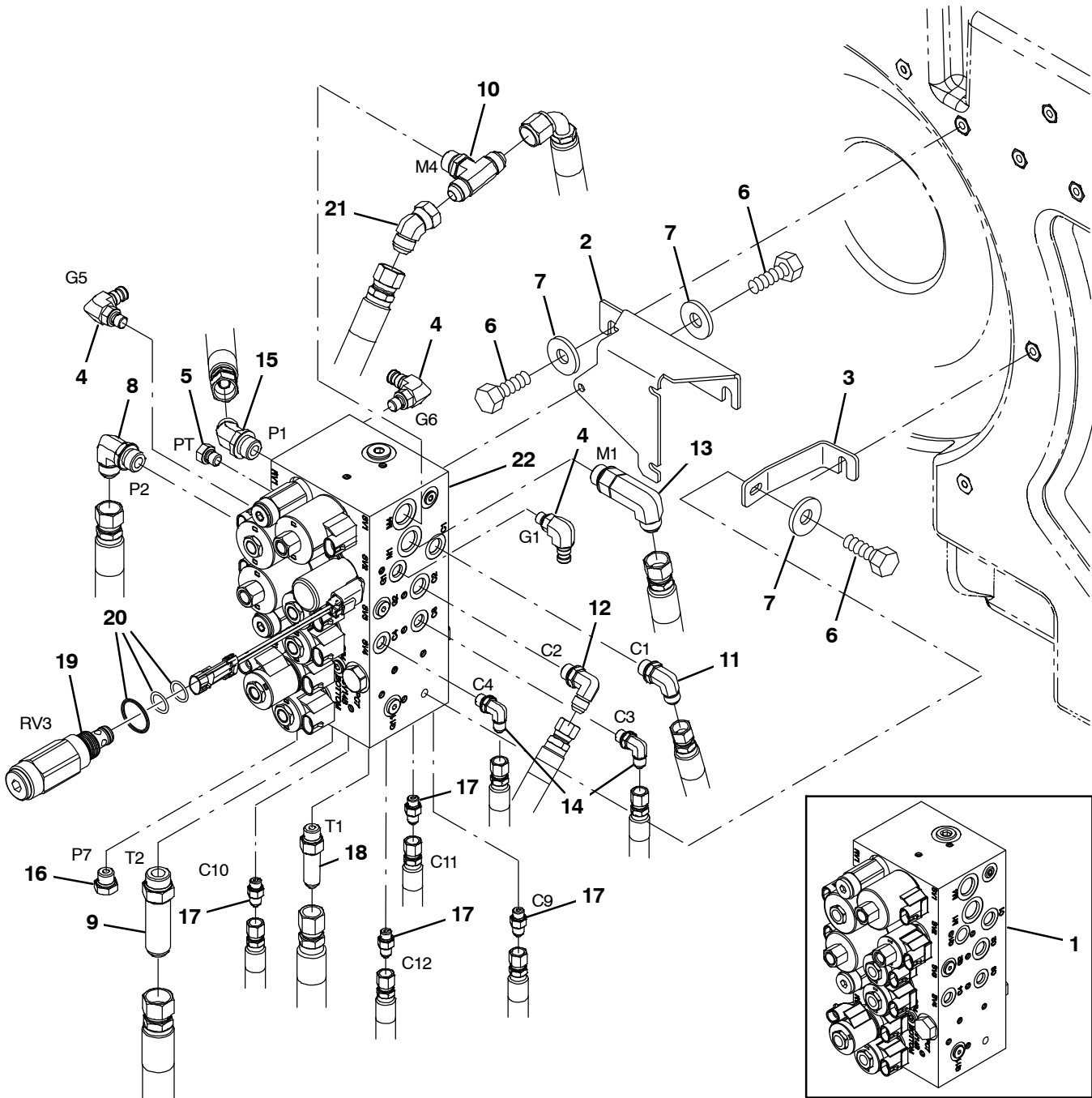
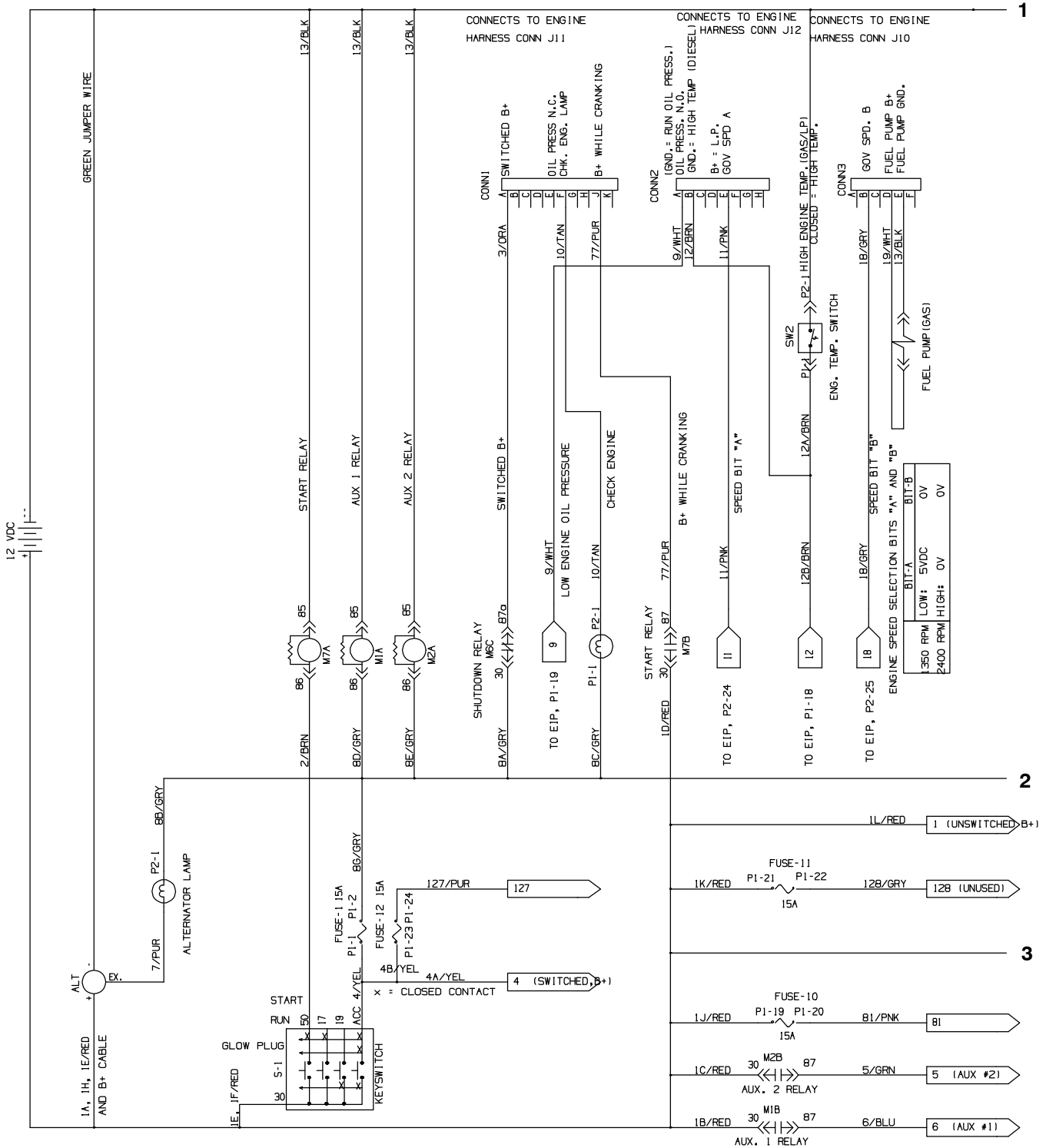


Fig. 85 – Hydraulic Valve Group (002700–)

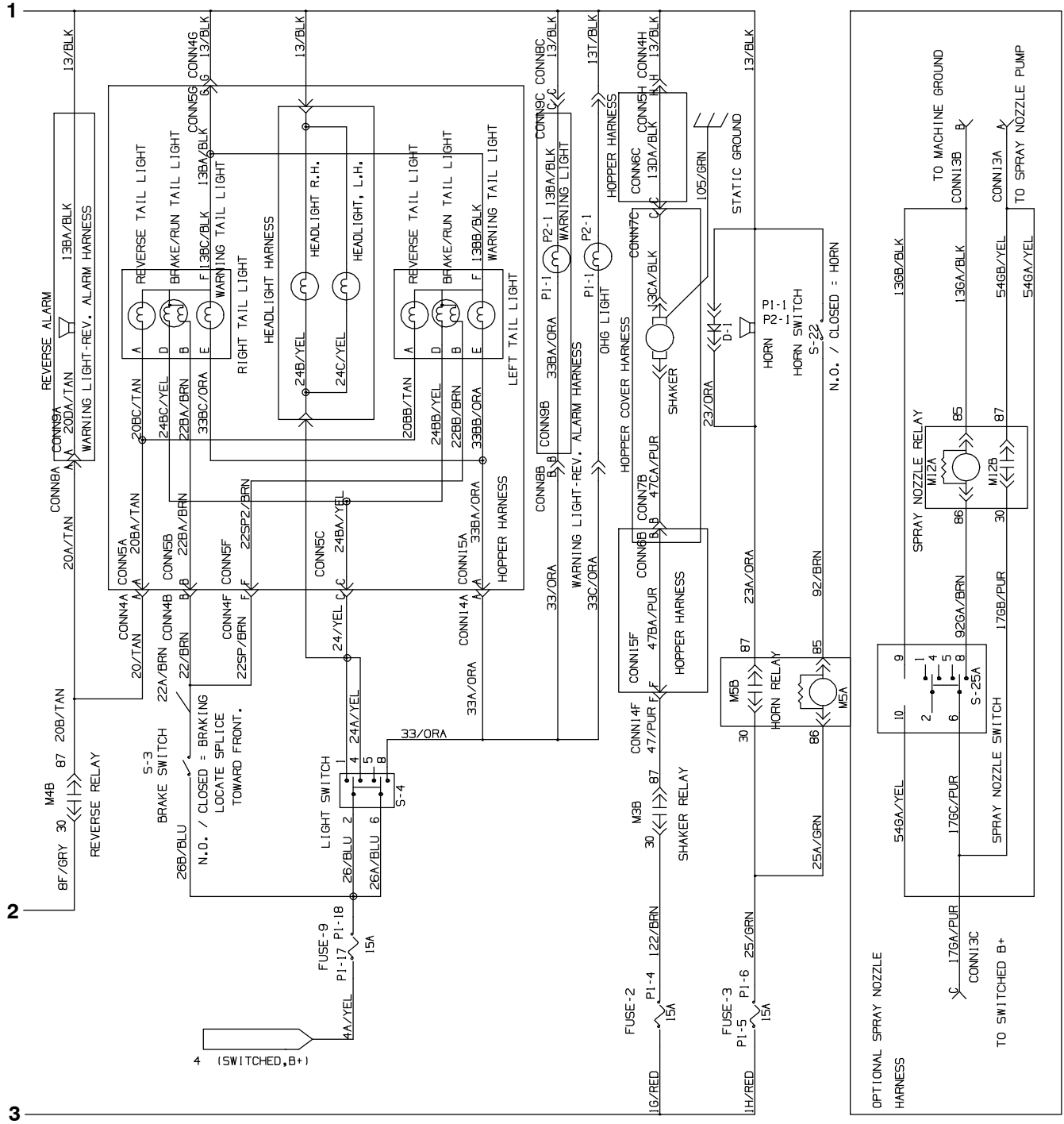
Ref.	Part No.	Serial Number	Description	Qty.
1	1038566	(002700–006286)	Valve, Hyd, Solenoid, 12vdc (See Breakdowns)	1
2	1039789	(002700–)	Bracket, Mtg, Valve [Combined]	1
3	1040117	(002700–)	Bracket, Mtg, Valve, Lower	1
4	395974	(002700–)	Fitting, Hyd, E90, Om04/Qm04	3
5	33812	(002700–)	Fitting, Hyd, Plug, Om04	1
6	09740	(002700–)	Screw, Hex, M8 X 1.25 X 20, Ss	8
7	1017218	(002700–)	Washer, Flat, 0.32b 1.00d .12, Ss	8
8	69173	(002700–)	Fitting, Hyd, E90, Jm08/Om08, Long	1
9	1040876	(002700–)	Fitting, Hyd, Str, Jm10/Om10, Long	1
10	49933	(002700–)	Fitting, Hyd, Tee, Jm08/Jm08/Om08, Br	1
11	56820	(002700–)	Fitting, Hyd, E90, Jm06/Om06	1
12	71727	(002700–)	Fitting, Hyd, E90, Jm06/Om06, Long	1
13	69173	(002700–)	Fitting, Hyd, E90, Jm08/Om08, Long	1
14	77097	(002700–)	Fitting, Hyd, E90, Jm04/Om04	2
15	42226	(002700–)	Fitting, Hyd, E45, Jm08/Om08	1
16	46482	(002700–)	Fitting, Hyd, Plug, Om06	1
17	55586	(002700–)	Fitting, Hyd, Str, Jm04/Om04	4
18	59577	(002700–)	Fitting, Hyd, Str, Jm06/Om06, Long	1
19	1044367	(002700–)	Valve, Relief, 0600Psi	1
20	373647	(002700–)	Seal Kit, Cartridge	1
21	07797	(006000–)	Fitting, Hyd, E45, Jf08/Jm08	1
22	1072995	(006287–)	Valve, Cntrl, Hyd, Solenoid, 12vdc 10gpm (See Break-downs)	1

Fig. 86 – GM Electrical Schematic (00000–001999)



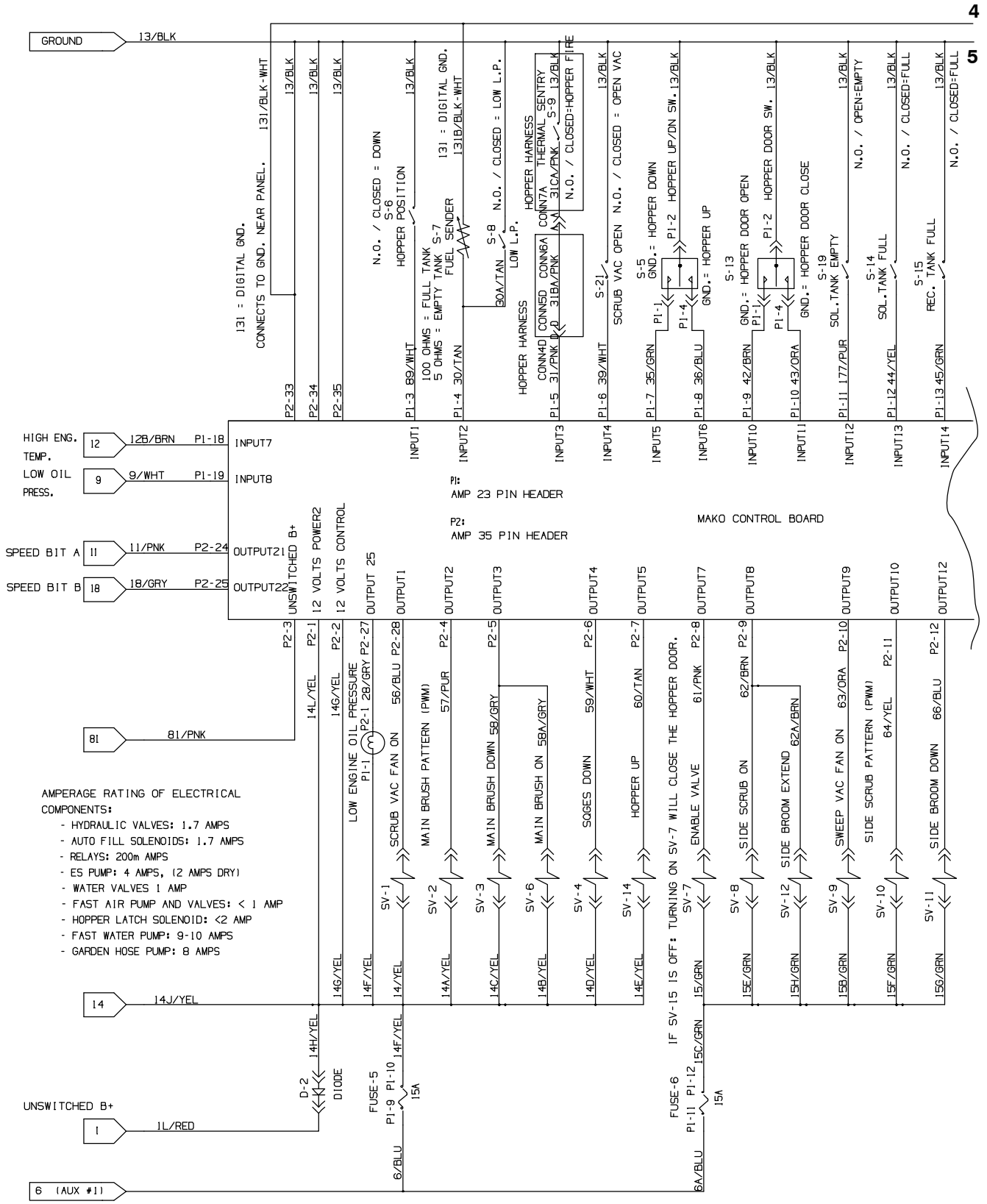
1018547 – 354458

Fig. 86 - GM Electrical Schematic (00000-001999)



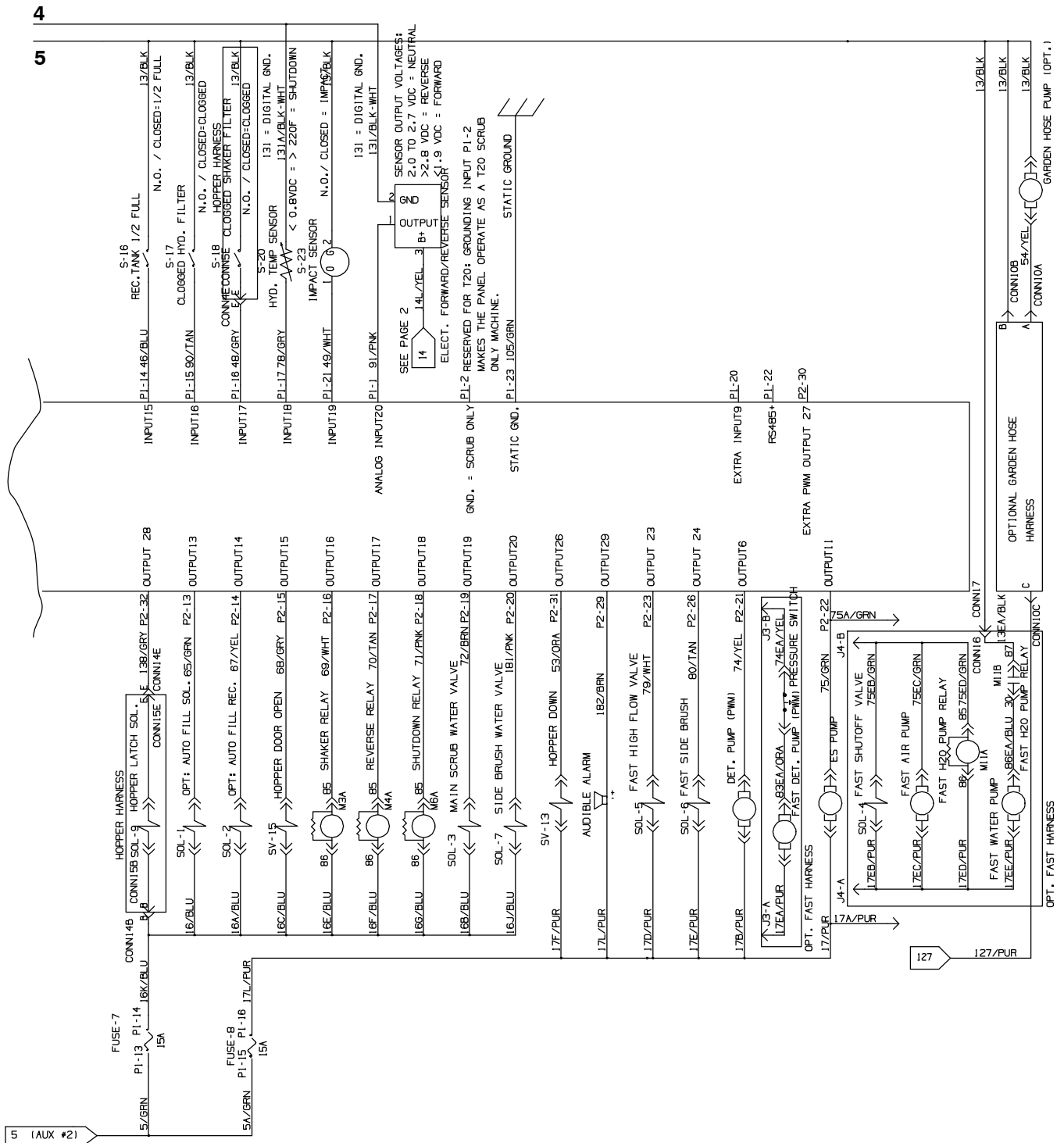
1018547

Fig. 86 – GM Electrical Schematic (00000–001999)



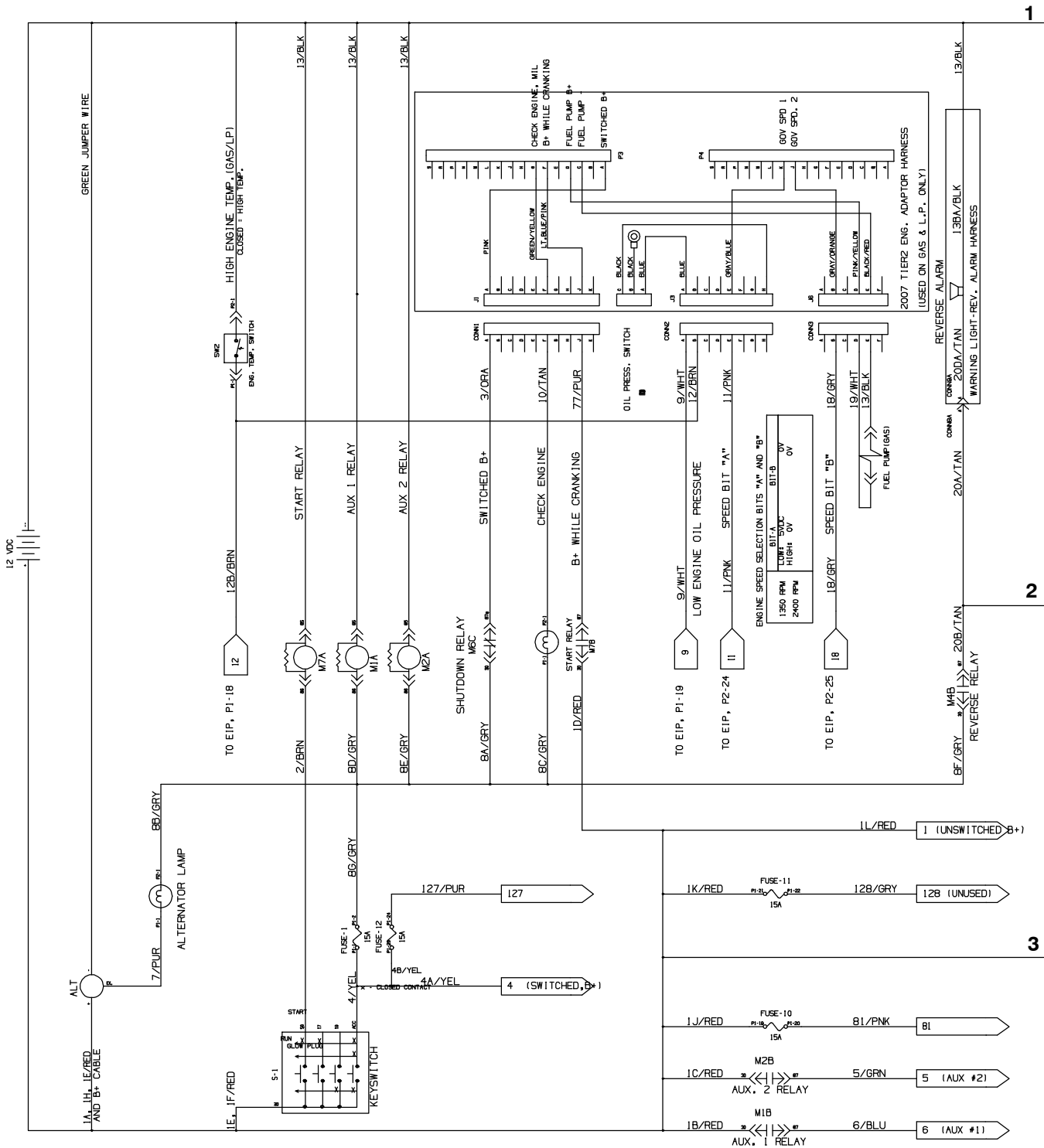
4
5

Fig. 86 - GM Electrical Schematic (00000-001999)



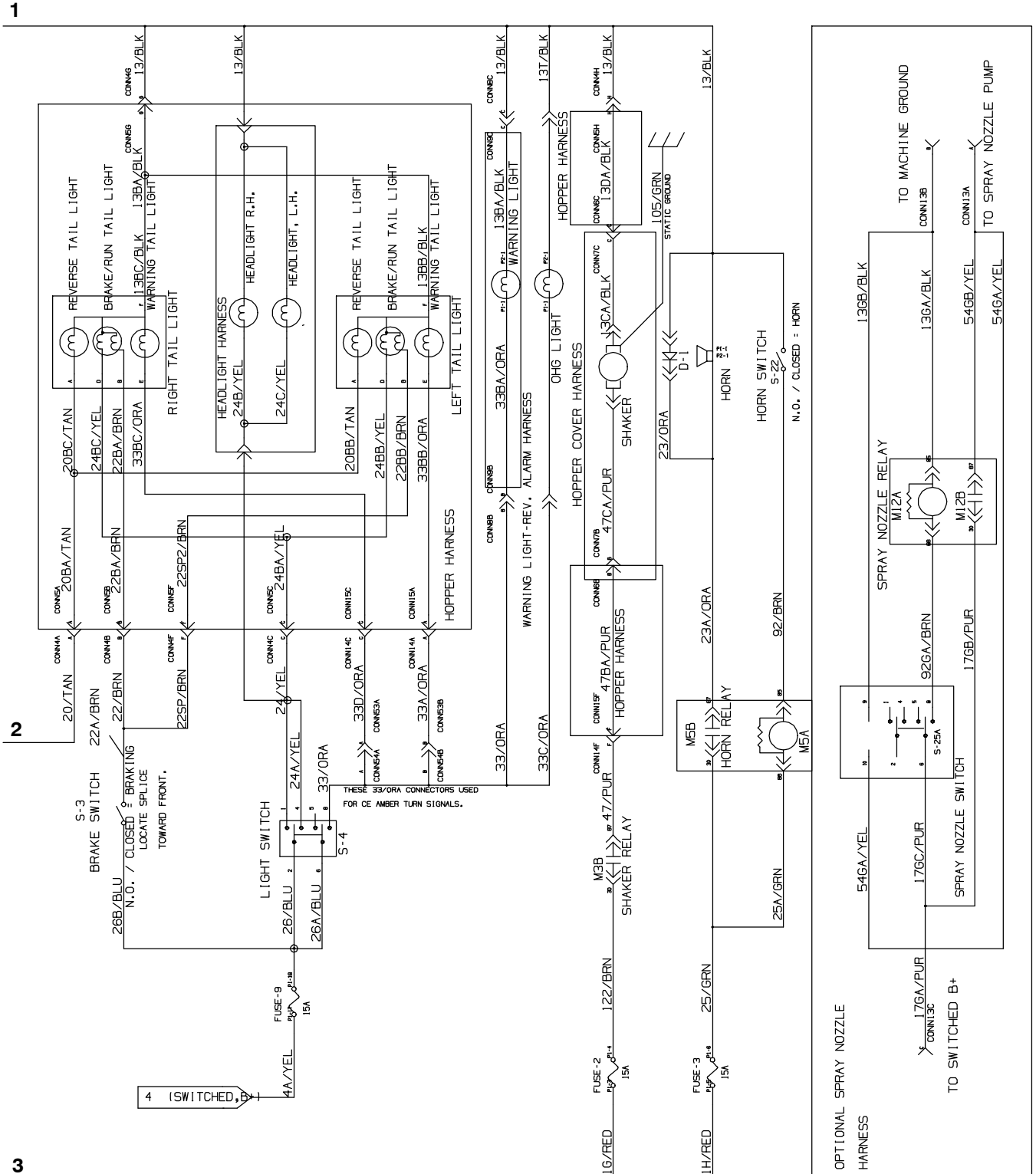
1018547

Fig. 87 – GM Electrical Schematic (002000-002532)



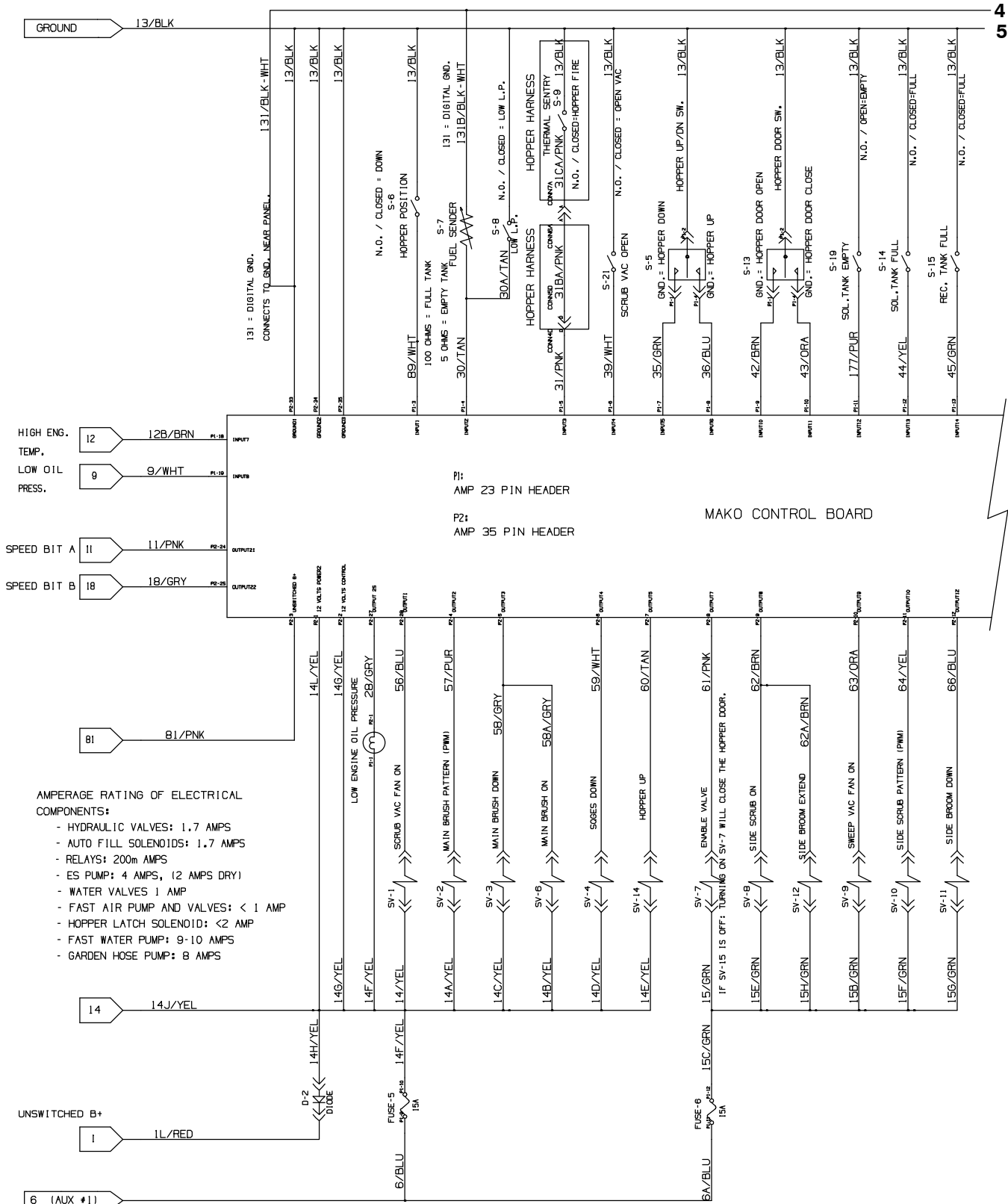
1018547 - 354458

Fig. 87 - GM Electrical Schematic (002000-002532)



1018547

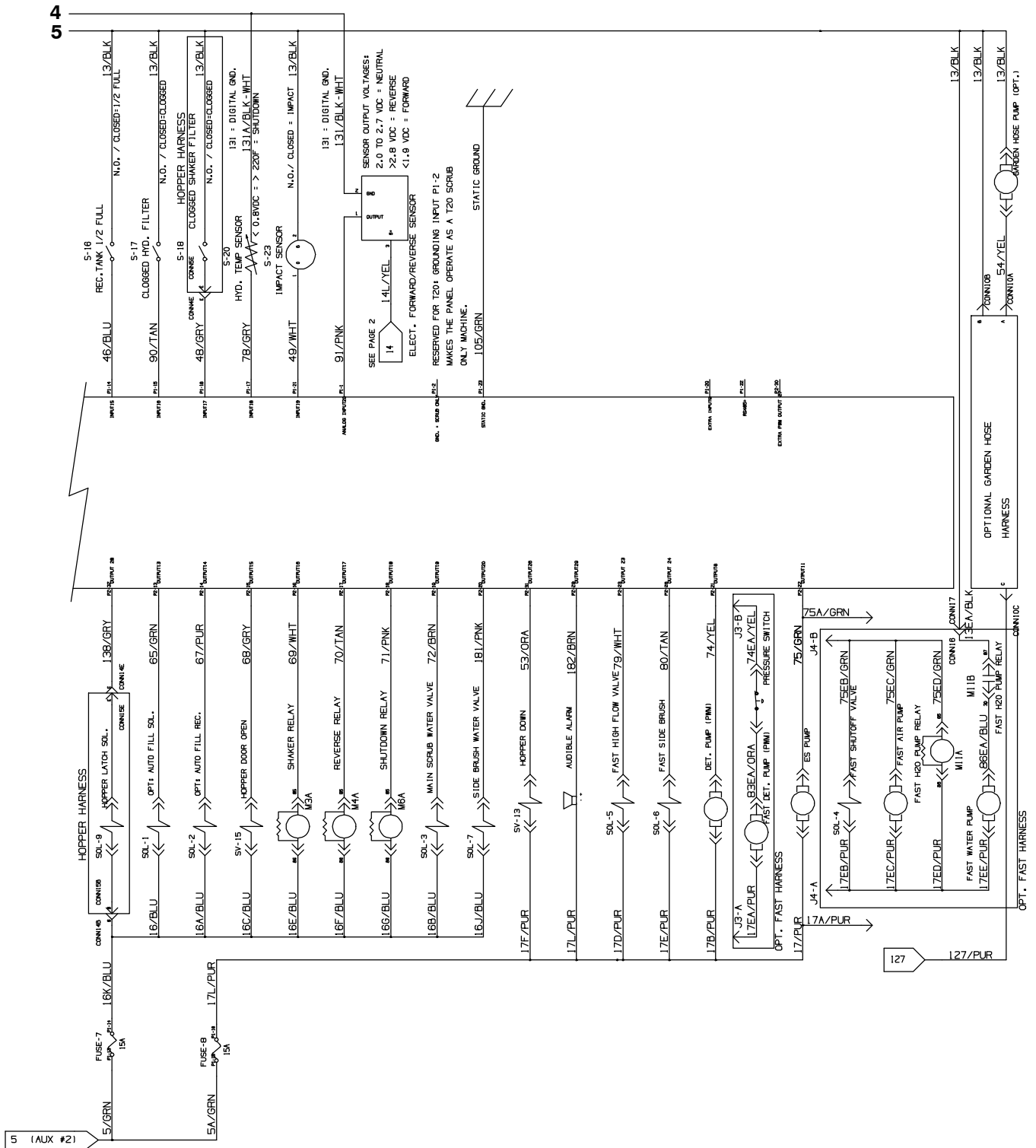
Fig. 87 – GM Electrical Schematic (002000–002532)



4
5

1018547

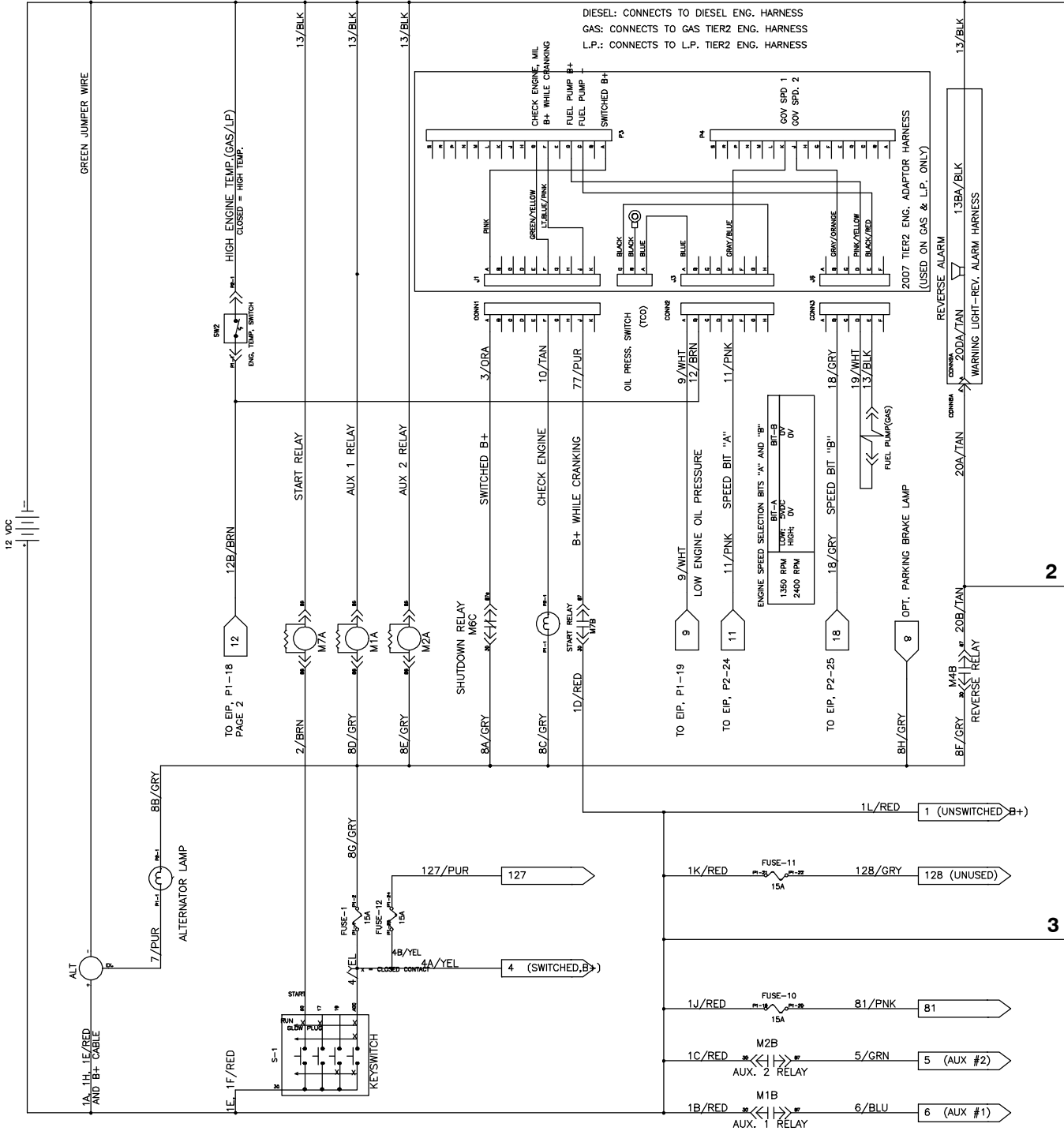
Fig. 87 - GM Electrical Schematic (002000-002532)



1018547

Fig. 88 – GM Electrical Schematic (002533-005999)

1



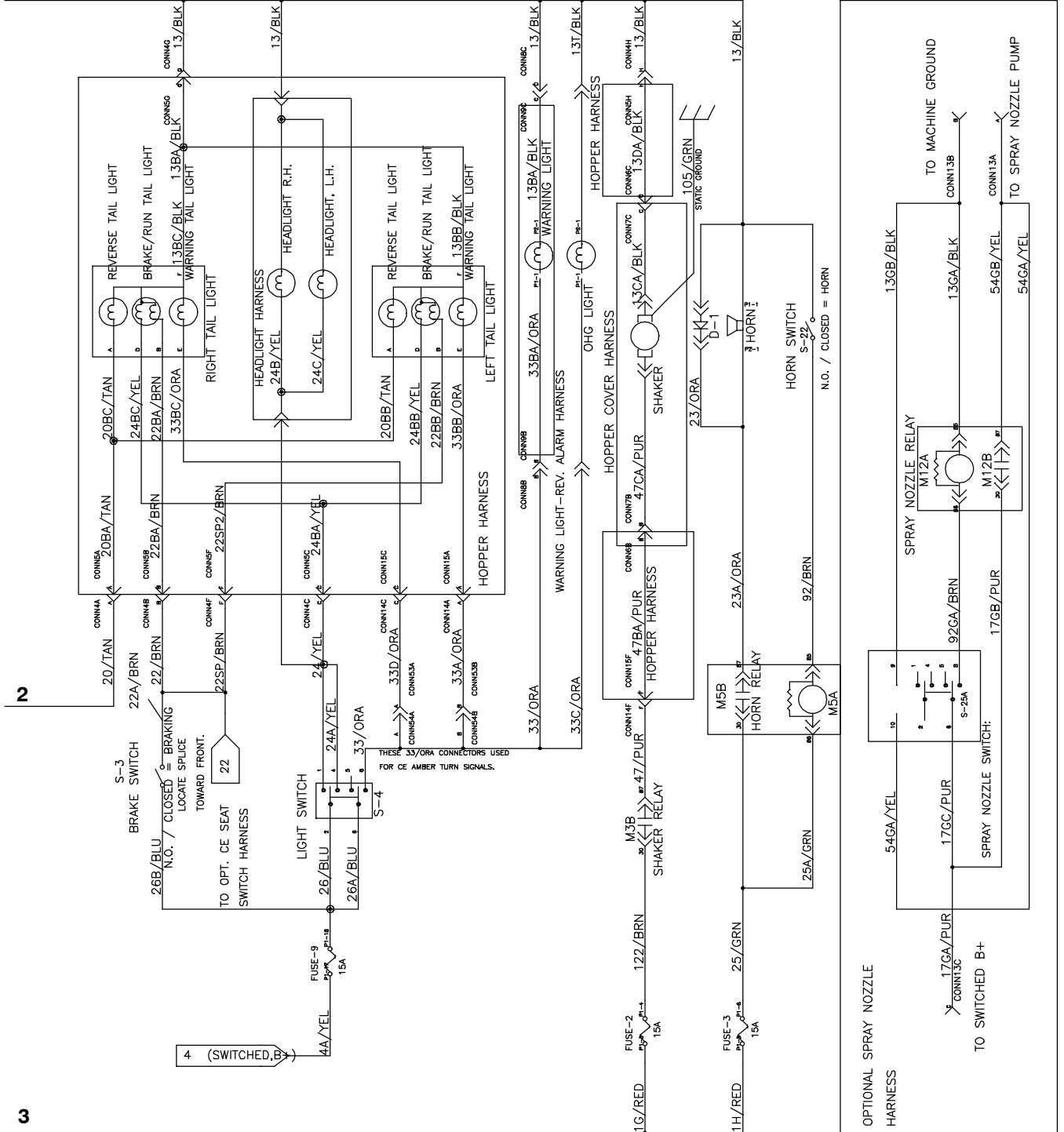
2

3

1018547 - 354458

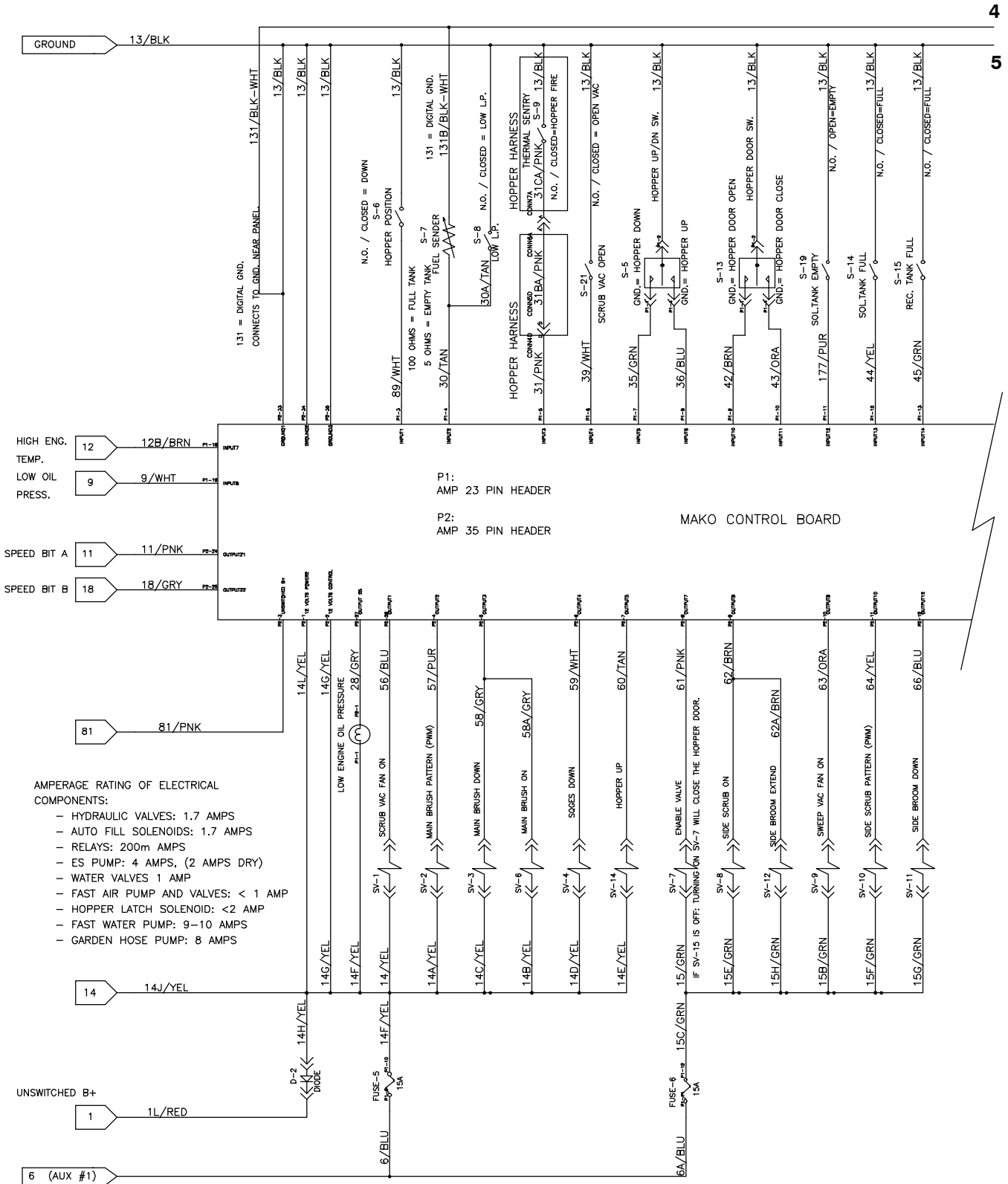
Fig. 88 - GM Electrical Schematic (002533-005999)

1



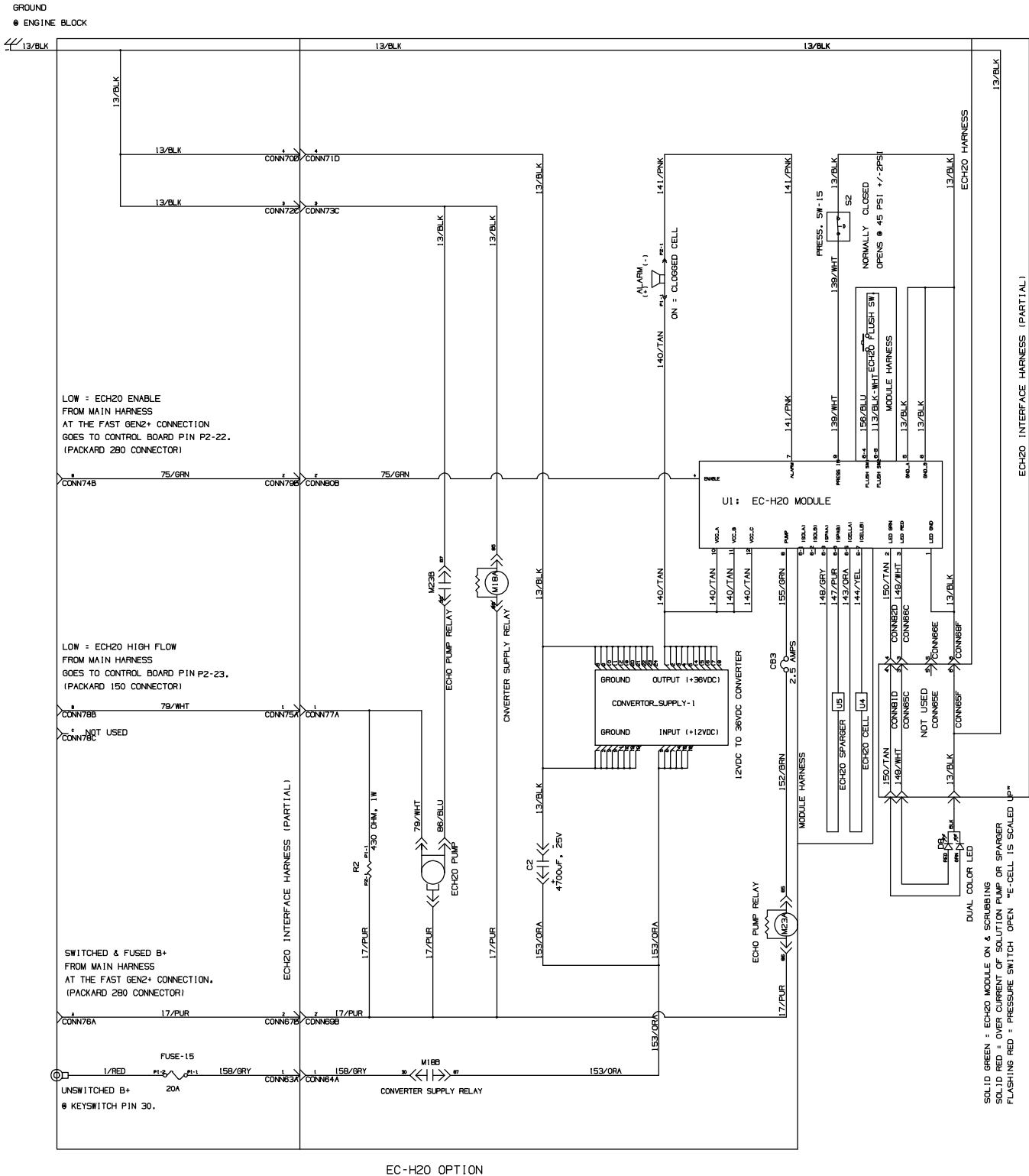
1018547 - 354458

Fig. 88 – GM Electrical Schematic (002533-005999)



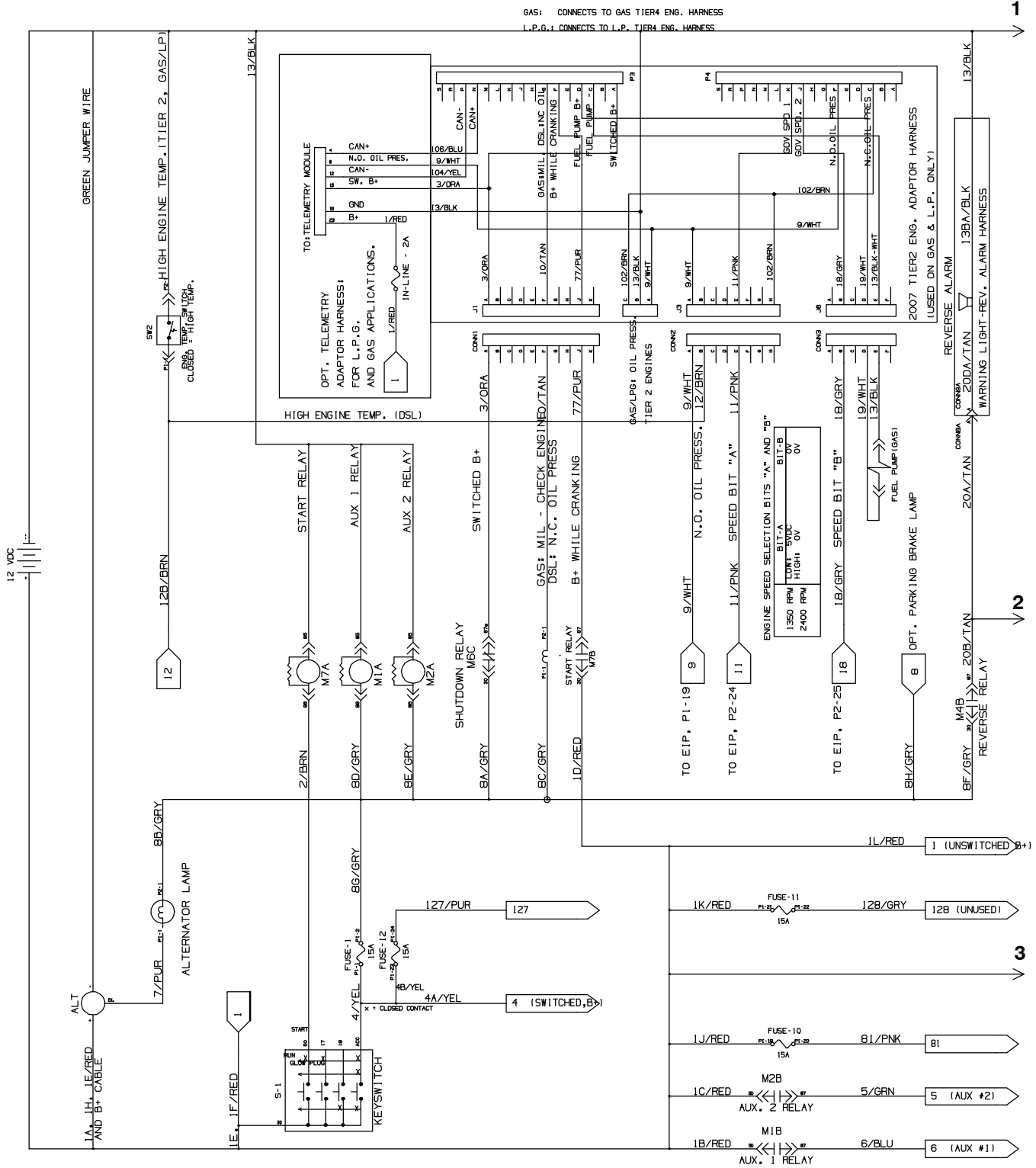
1018547 – 354458

Fig. 88 – GM Electrical Schematic (002533–005999)



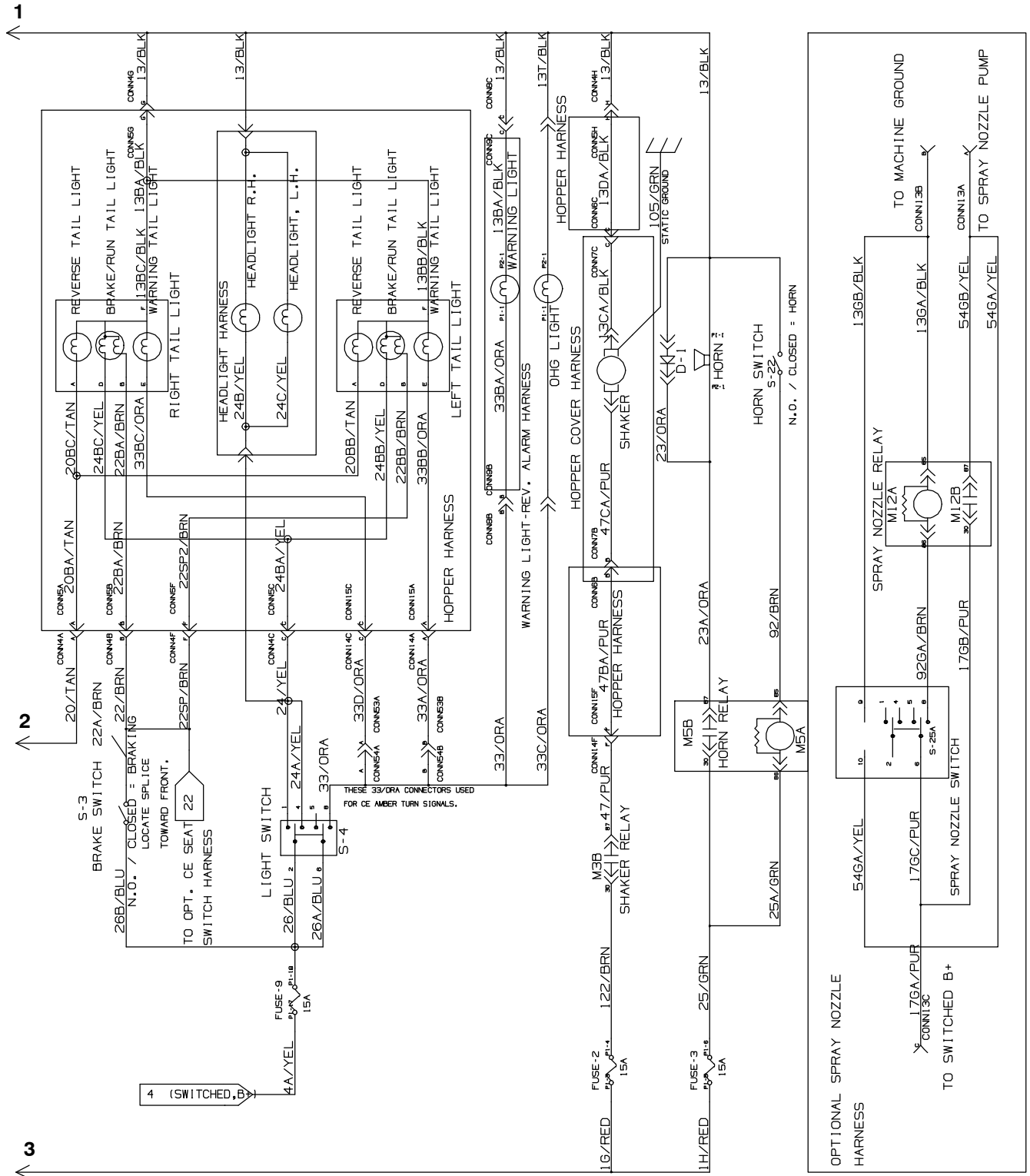
1018547 – 354458

Fig. 89 - GM Electrical Schematic (003479-005999)



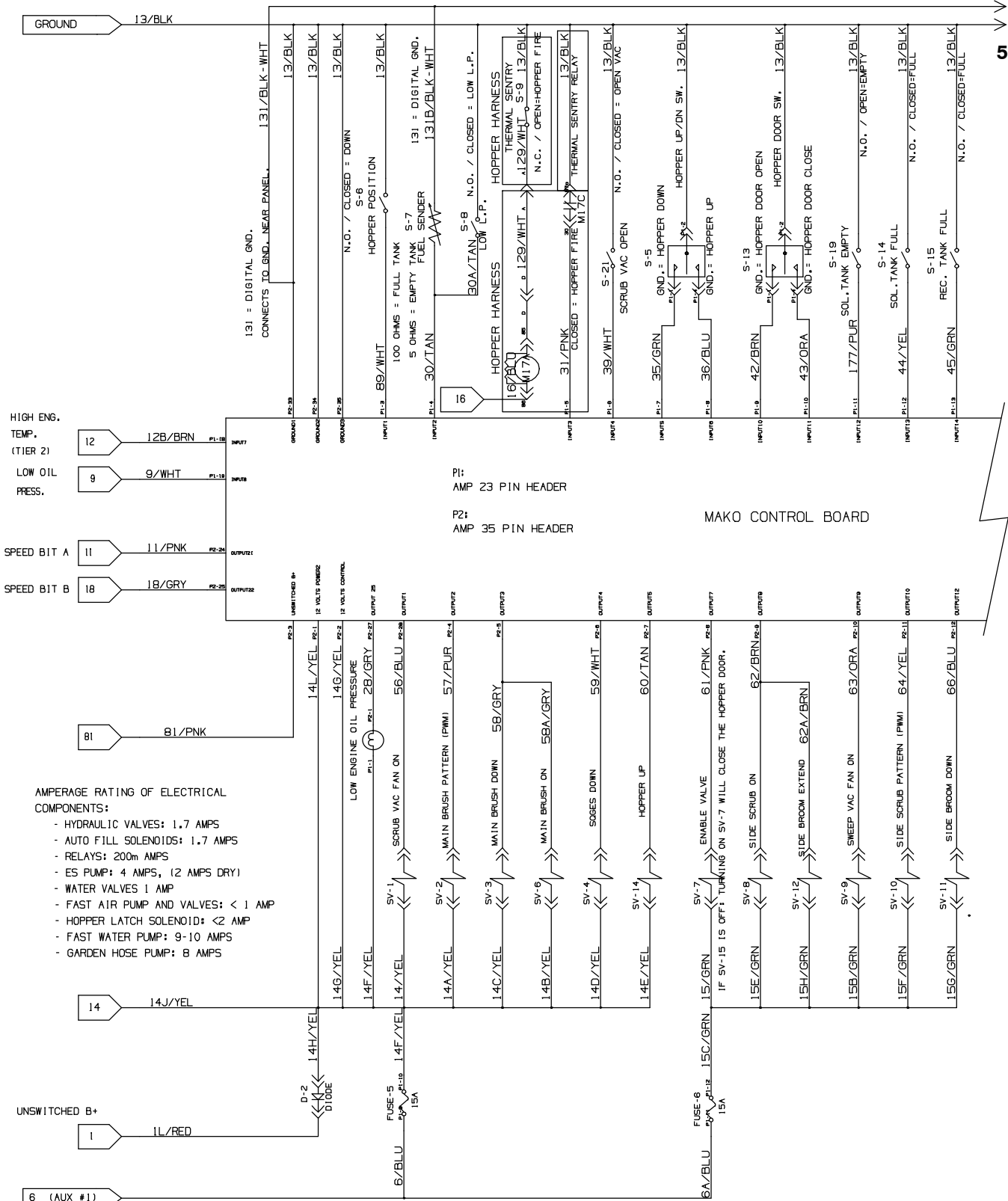
1018547 - 354458

Fig. 89 - GM Electrical Schematic (003479-005999)



1018547 - 354458

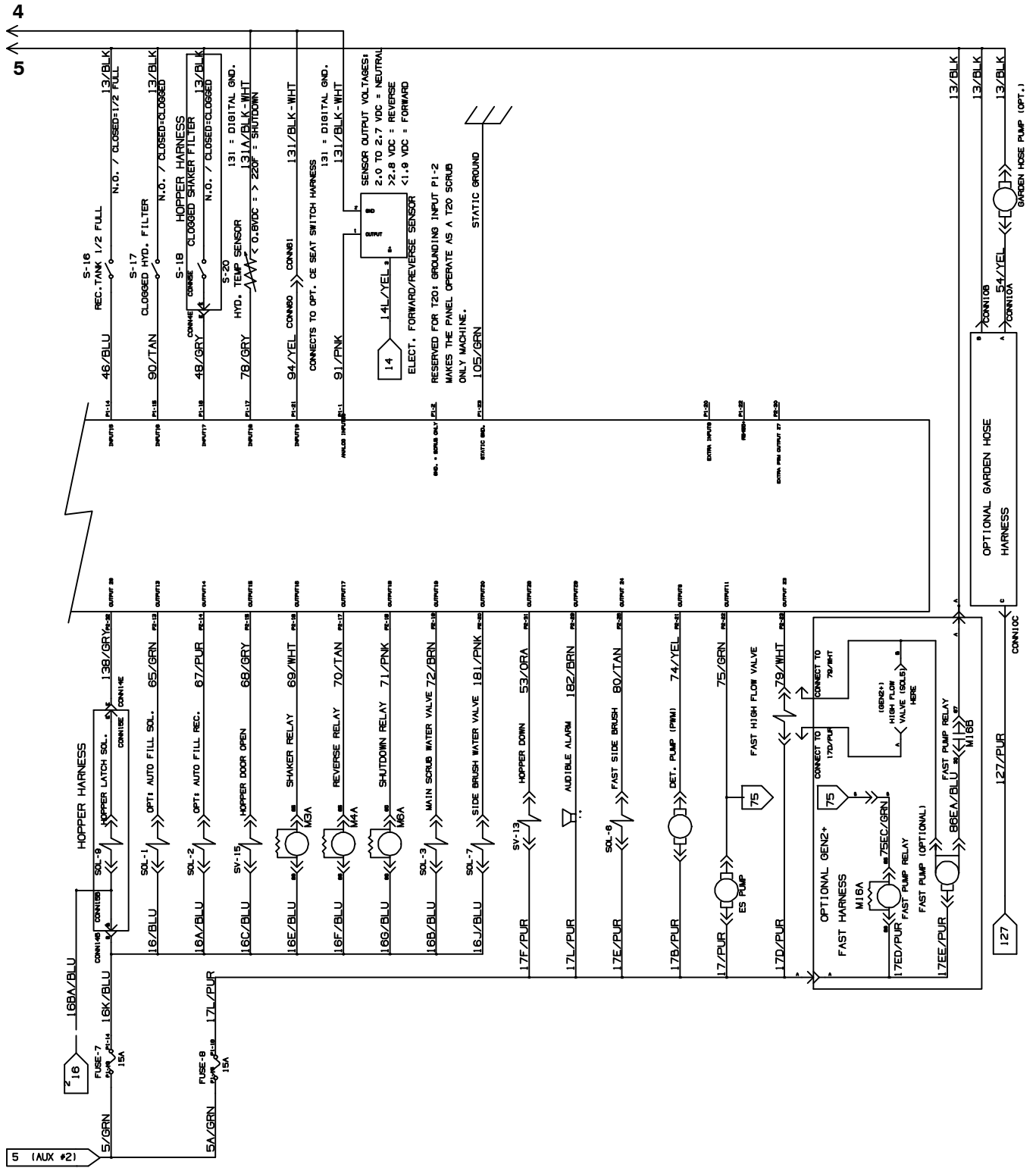
Fig. 89 - GM Electrical Schematic (003479-005999)



4
5

1018547 - 354458

Fig. 89 - GM Electrical Schematic (003479-005999)



1018547 - 354458

Fig. 90 – GM Electrical Schematic, Gas/LPG Engine Harness (000000-001999)

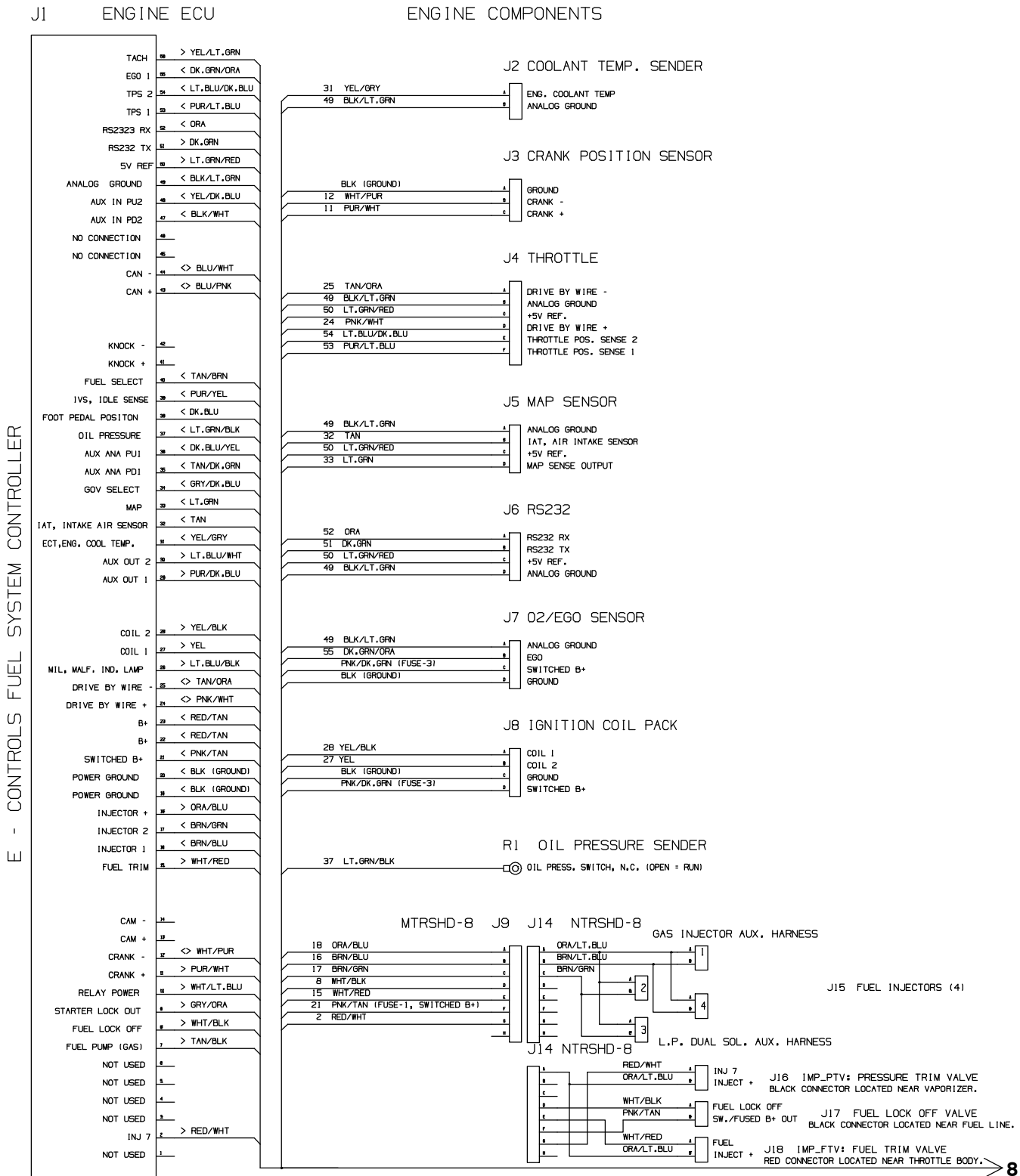
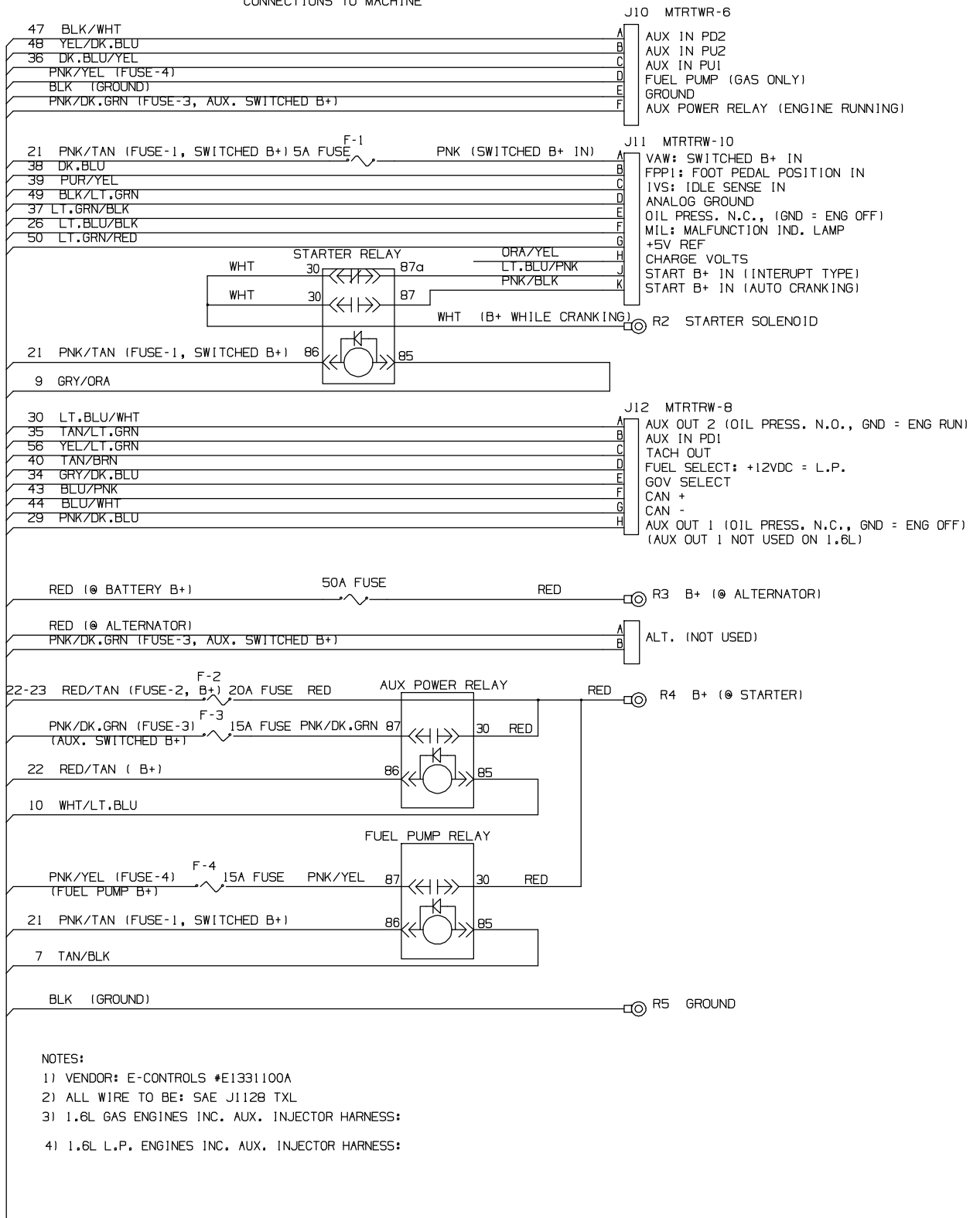


Fig. 90 – GM Electrical Schematic, Gas/LPG Engine Harness (000000-001999)

CONNECTIONS TO MACHINE

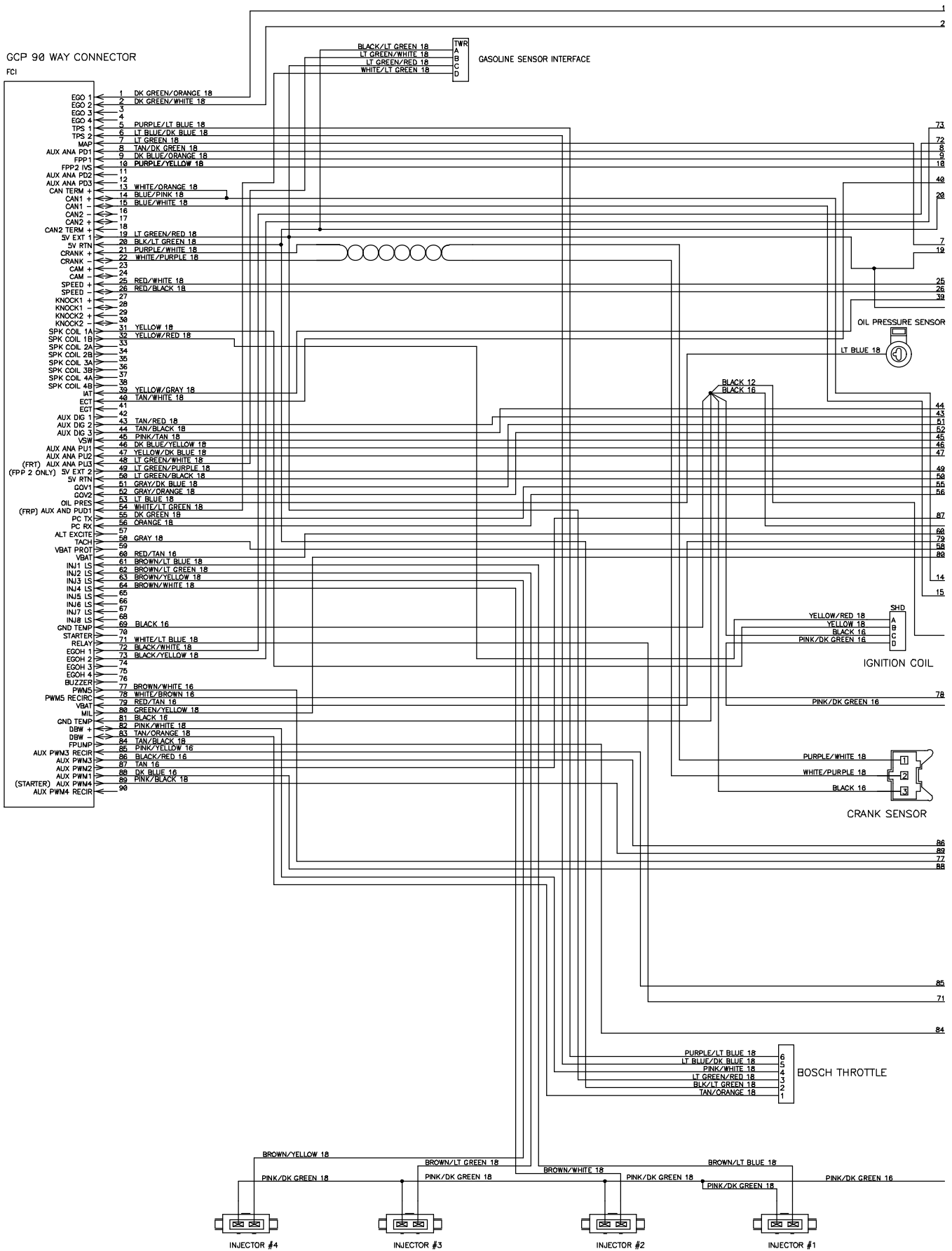


8

1018547

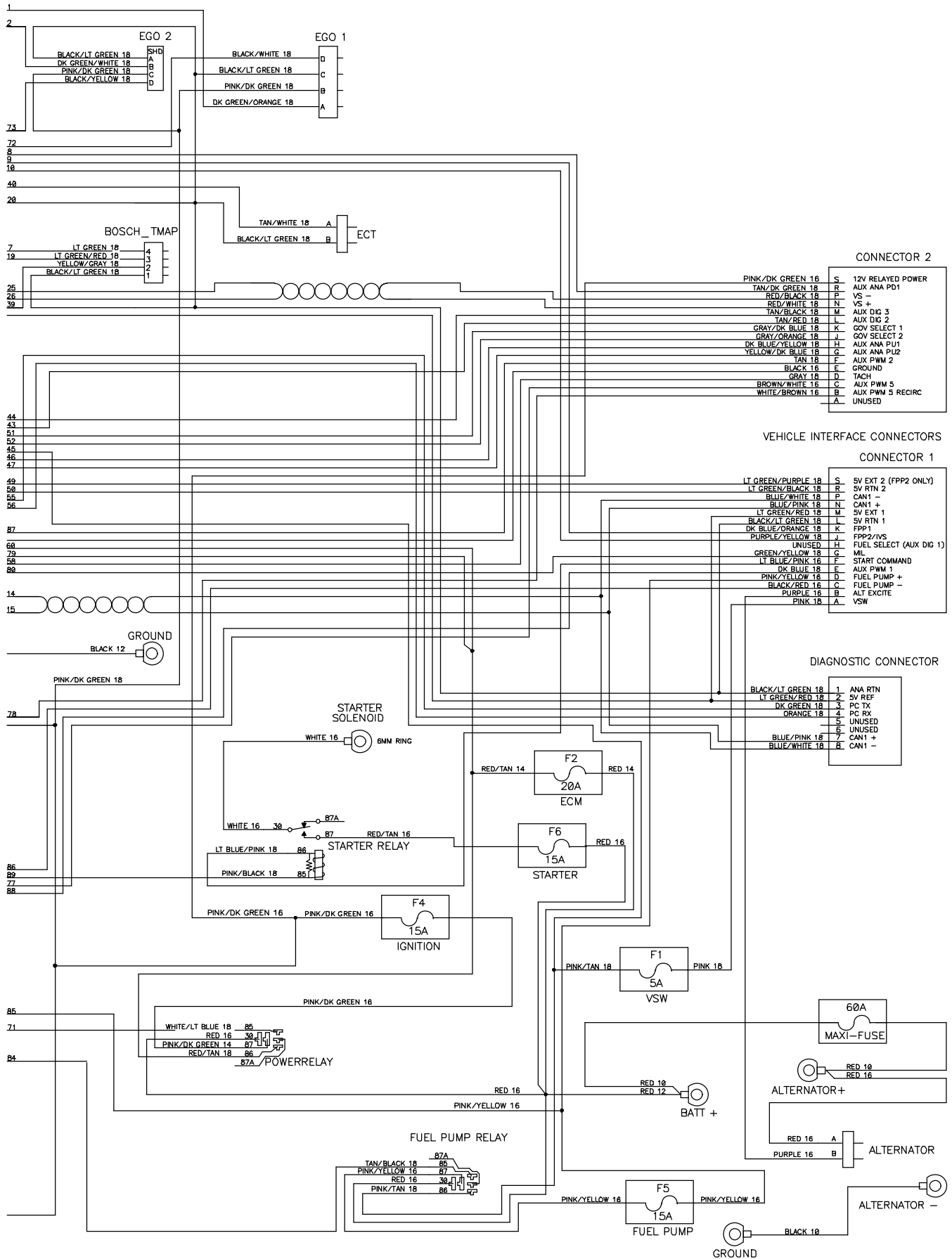
STANDARD PARTS

Fig. 91 – GM Electrical Schematic, Gas Engine Harness (002000–003122)



384997 – 354495

Fig. 91 – GM Electrical Schematic, Gas Engine Harness (002000–003122)



CONNECTOR 2

S	12V RELAYED POWER
R	AUX ANA PD1
F	VS -
N	VS +
M	AUX DIG 3
L	AUX DIG 2
K	GOV SELECT 1
J	GOV SELECT 2
H	AUX ANA PU1
G	AUX ANA PU2
F	AUX PWM 2
E	GROUND
D	TACH
C	AUX PWM 5
B	AUX PWM 5 RECIRC
A	UNUSED

VEHICLE INTERFACE CONNECTORS

CONNECTOR 1

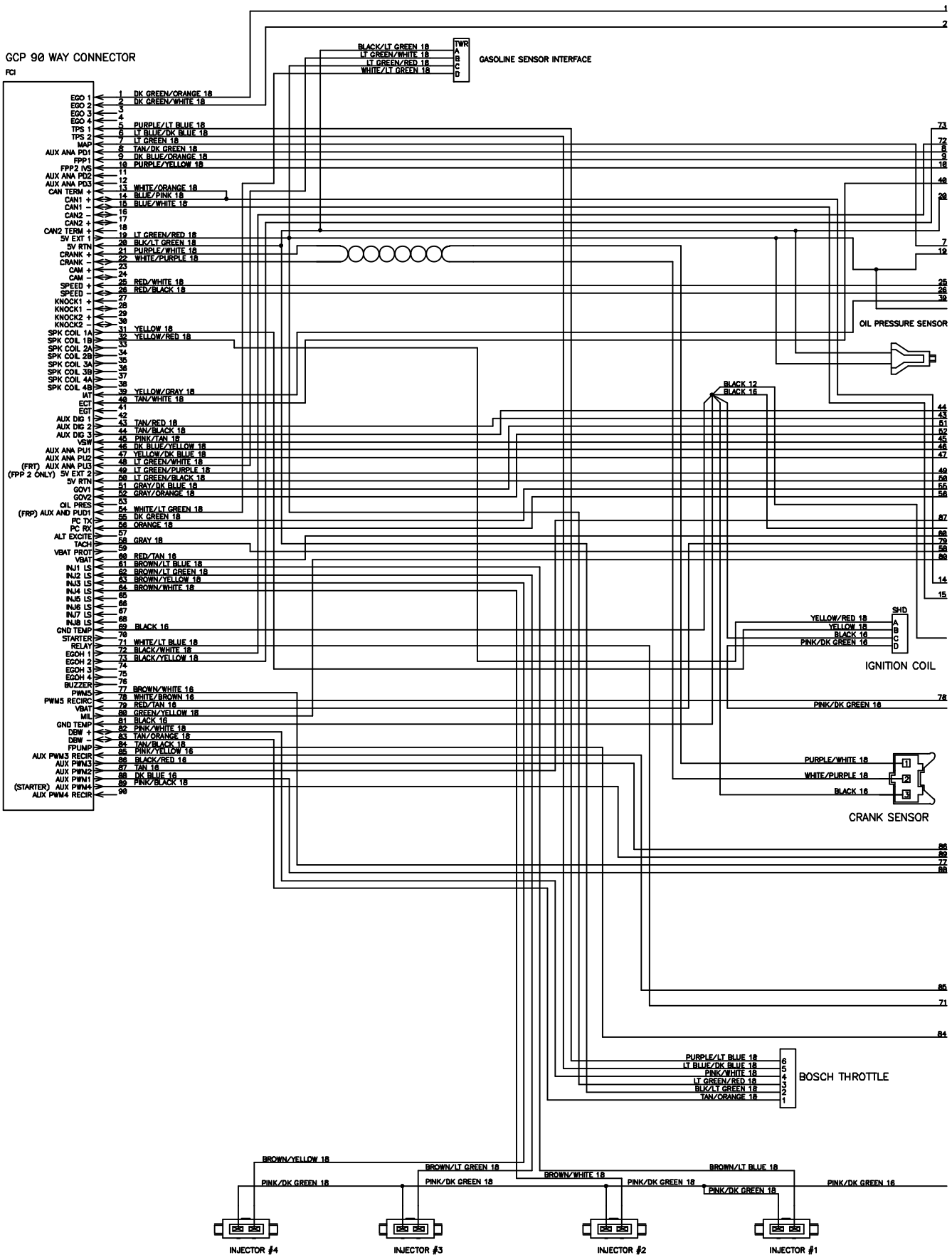
S	SV EXT 2 (FPP2 ONLY)
R	SV RTN 2
P	CAN1 -
N	CAN1 +
M	SV EXT 1
L	SV RTN 1
K	FPP1
J	FPP2/IVS
H	FUEL SELECT (AUX DIG 1)
G	ML
F	START COMMAND
E	AUX PWM 1
D	FUEL PUMP +
C	FUEL PUMP -
B	ALT EXCITE
A	VSW

DIAGNOSTIC CONNECTOR

1	ANA RTN
2	SV REF
3	PC TX
4	PC RX
5	UNUSED
6	UNUSED
7	UNUSED
8	CAN1 +
9	CAN1 -

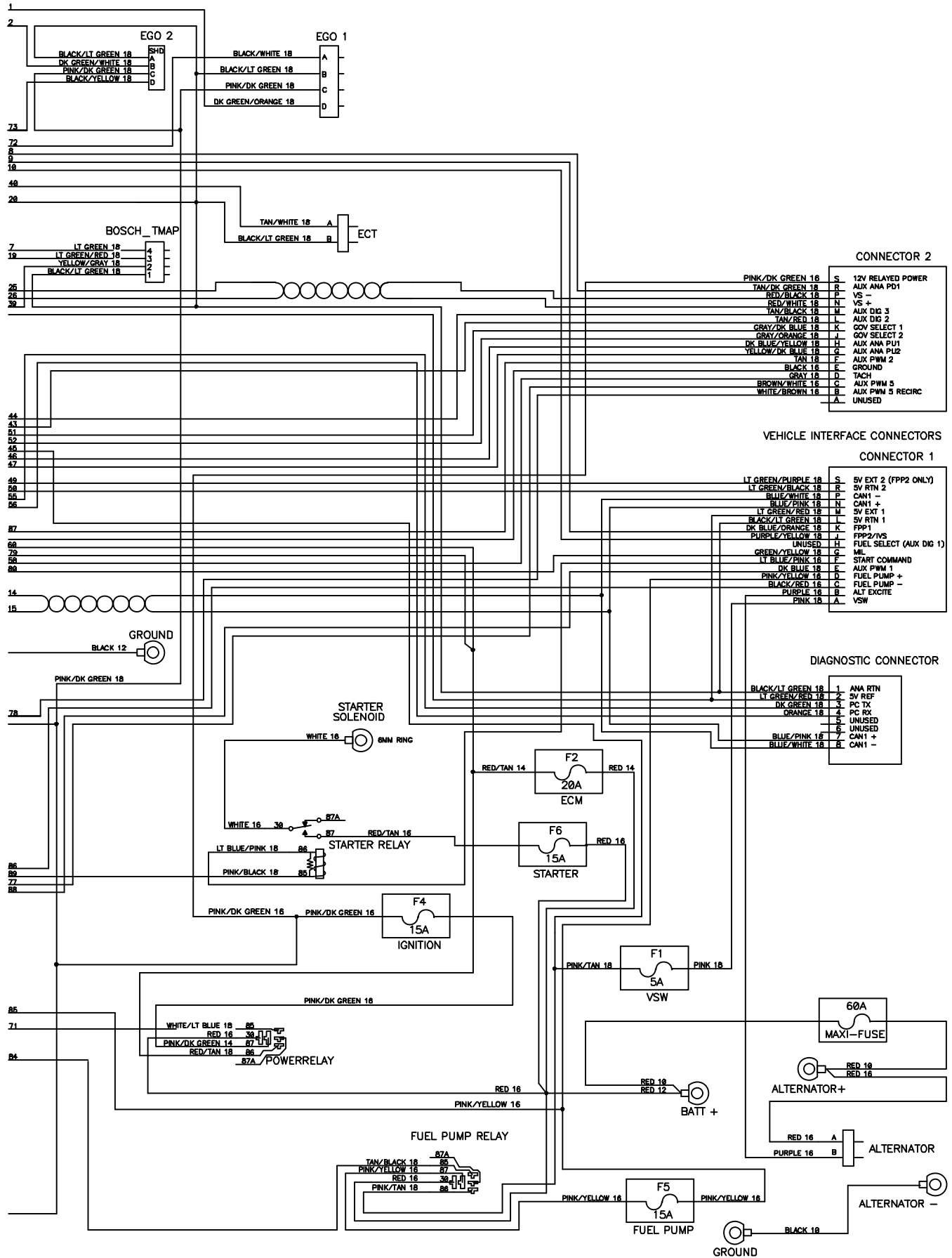
STANDARD PARTS

Fig. 92 – GM Electrical Schematic, Gas Engine Harness (003123-005999)



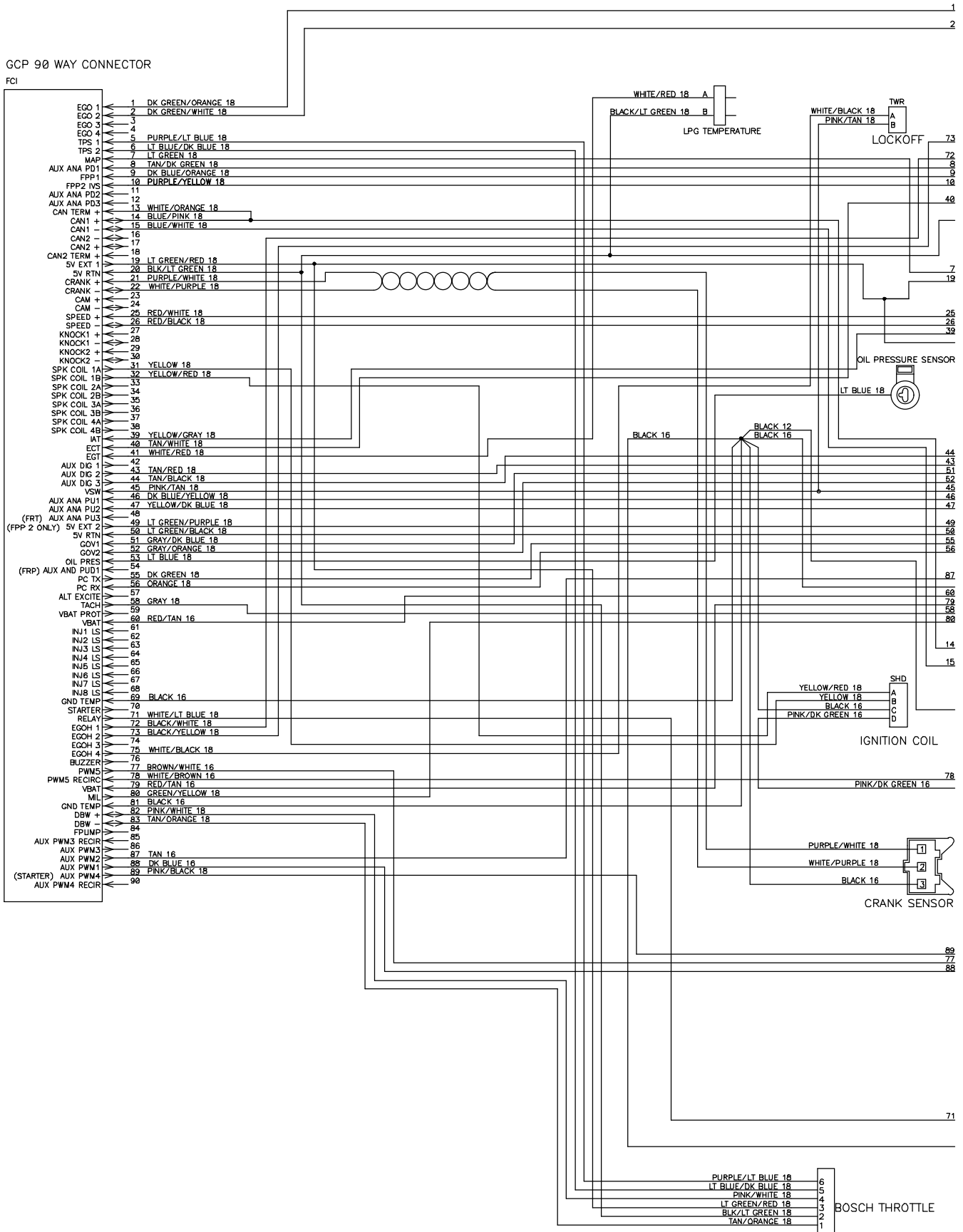
384997 - 354495

Fig. 92 – GM Electrical Schematic, Gas Engine Harness (003123-005999)



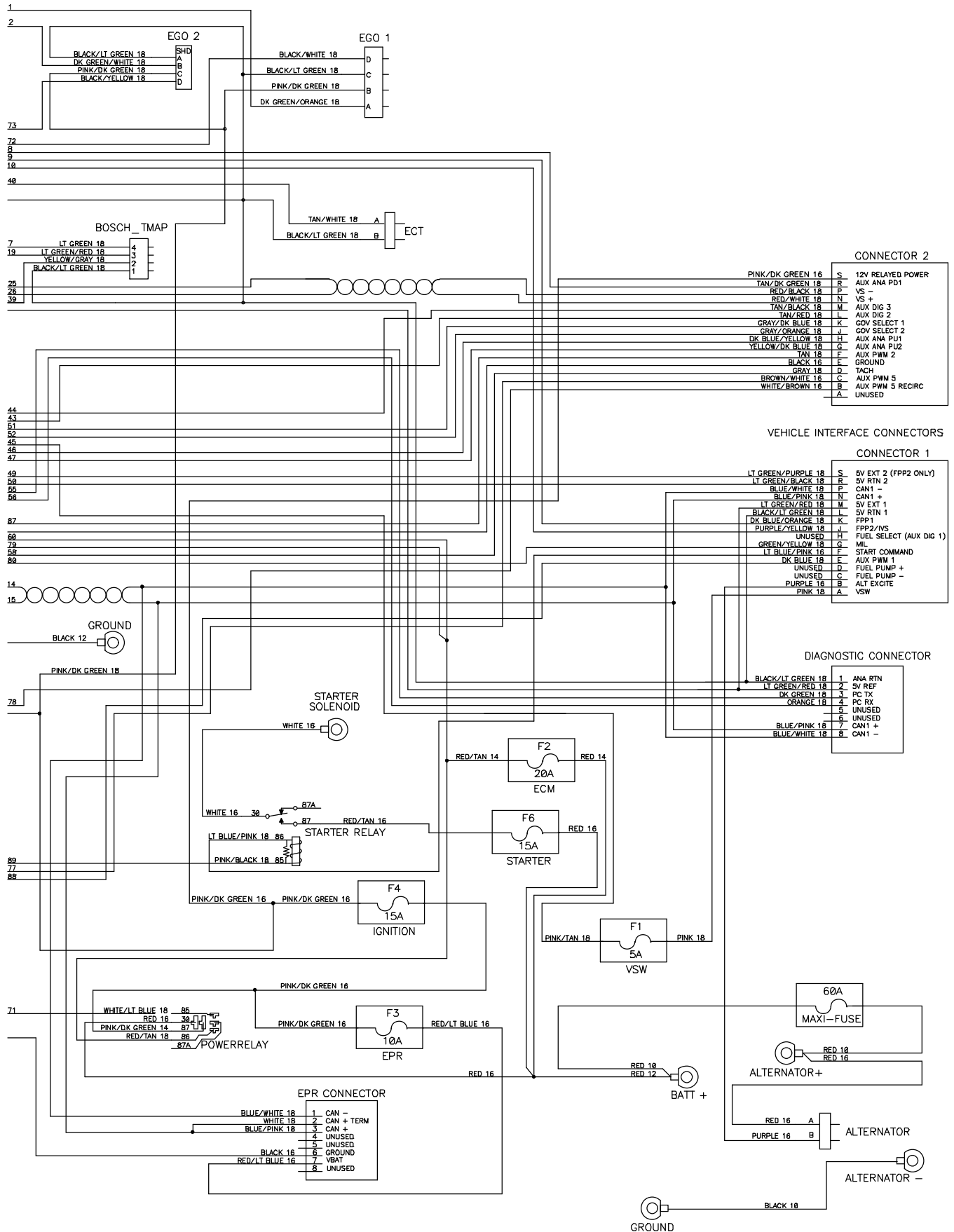
STANDARD PARTS

Fig. 93 – GM Electrical Schematic, LPG Engine Harness (002000-003122)



384990 - 354497

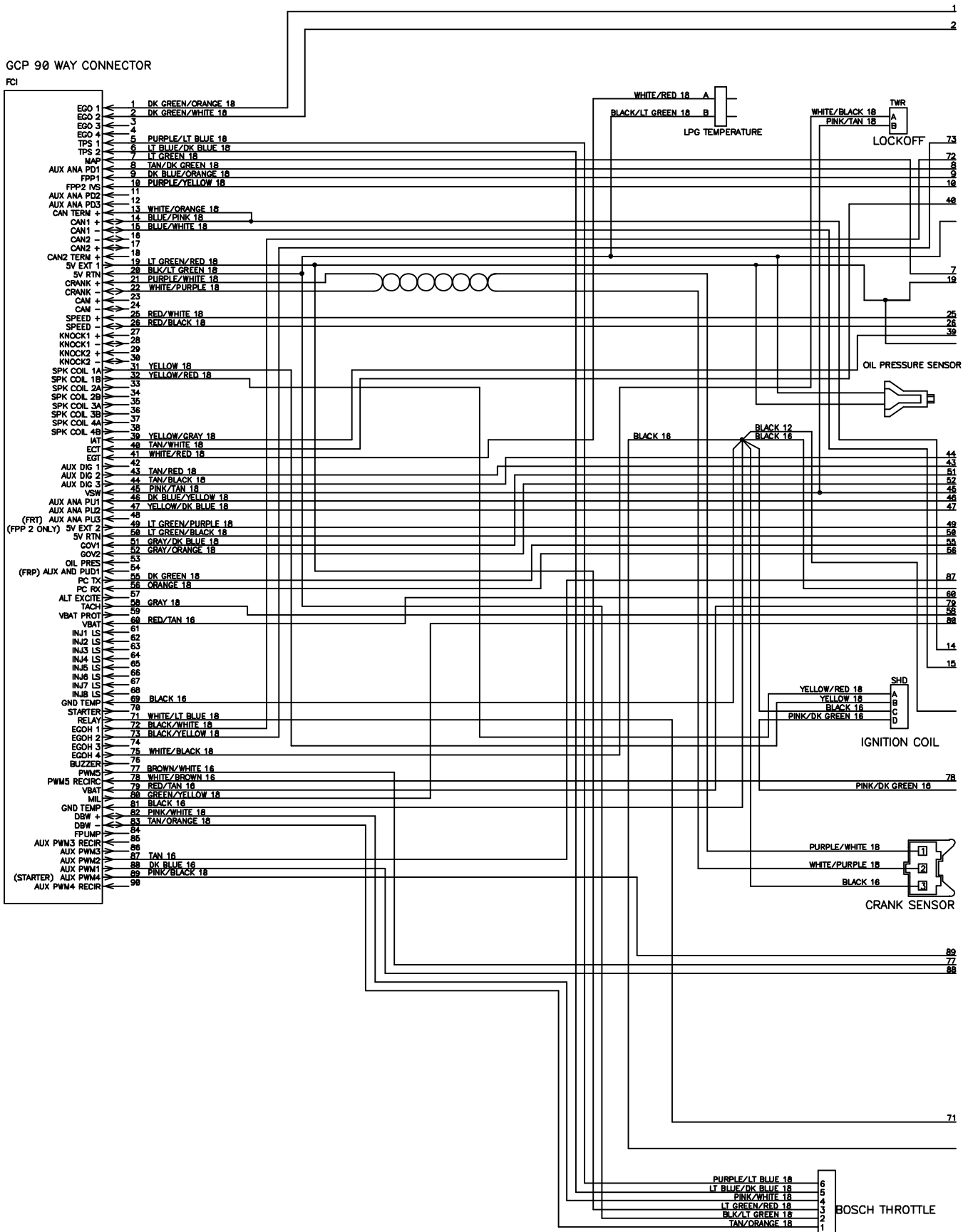
Fig. 93 - GM Electrical Schematic, LPG Engine Harness (002000-003122)



384990 - 354498

STANDARD PARTS

Fig. 94 – GM Electrical Schematic, LPG Engine Harness (003123-005999)



384990 - 354497

Fig. 94 - GM Electrical Schematic, LPG Engine Harness (003123-005999)

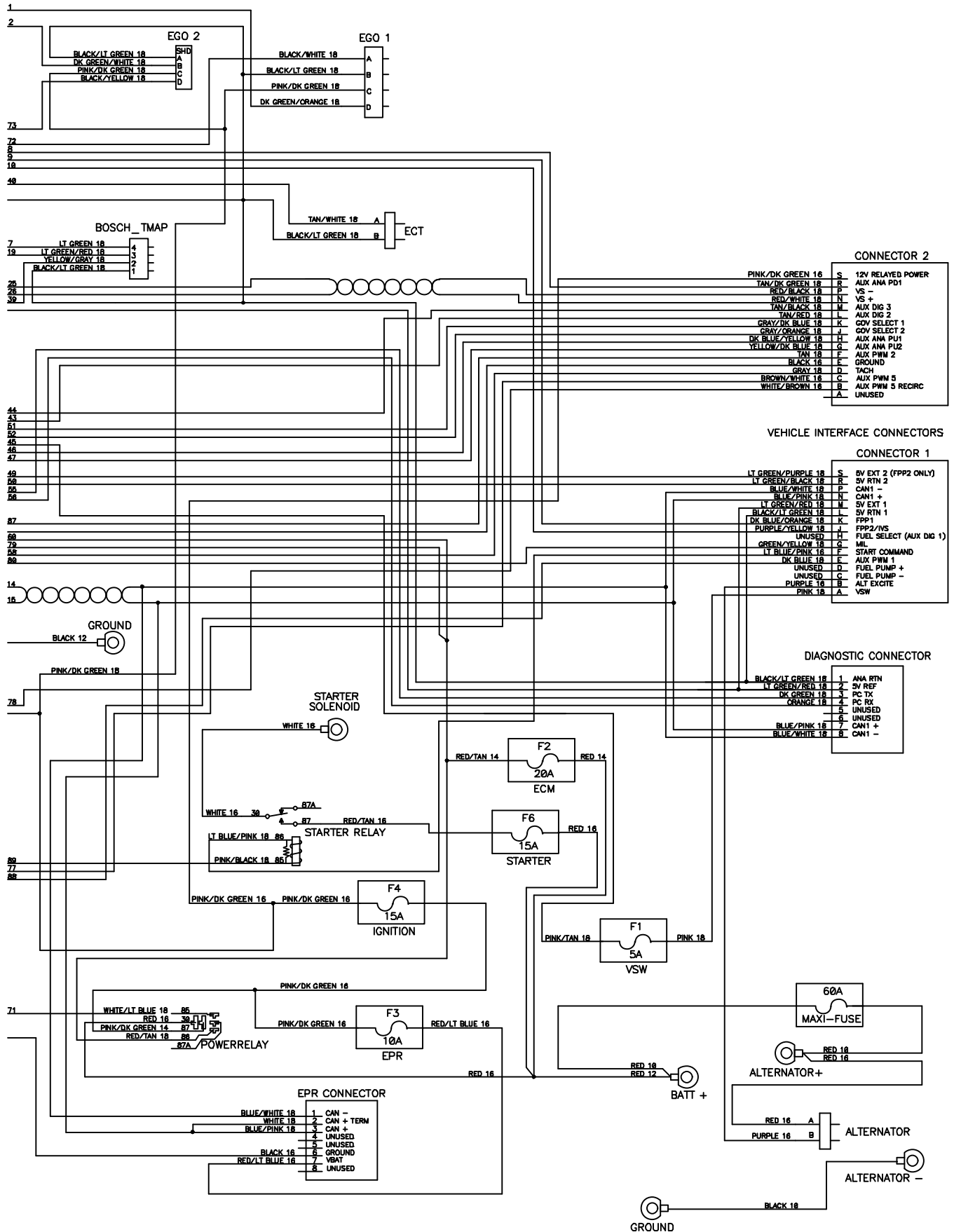
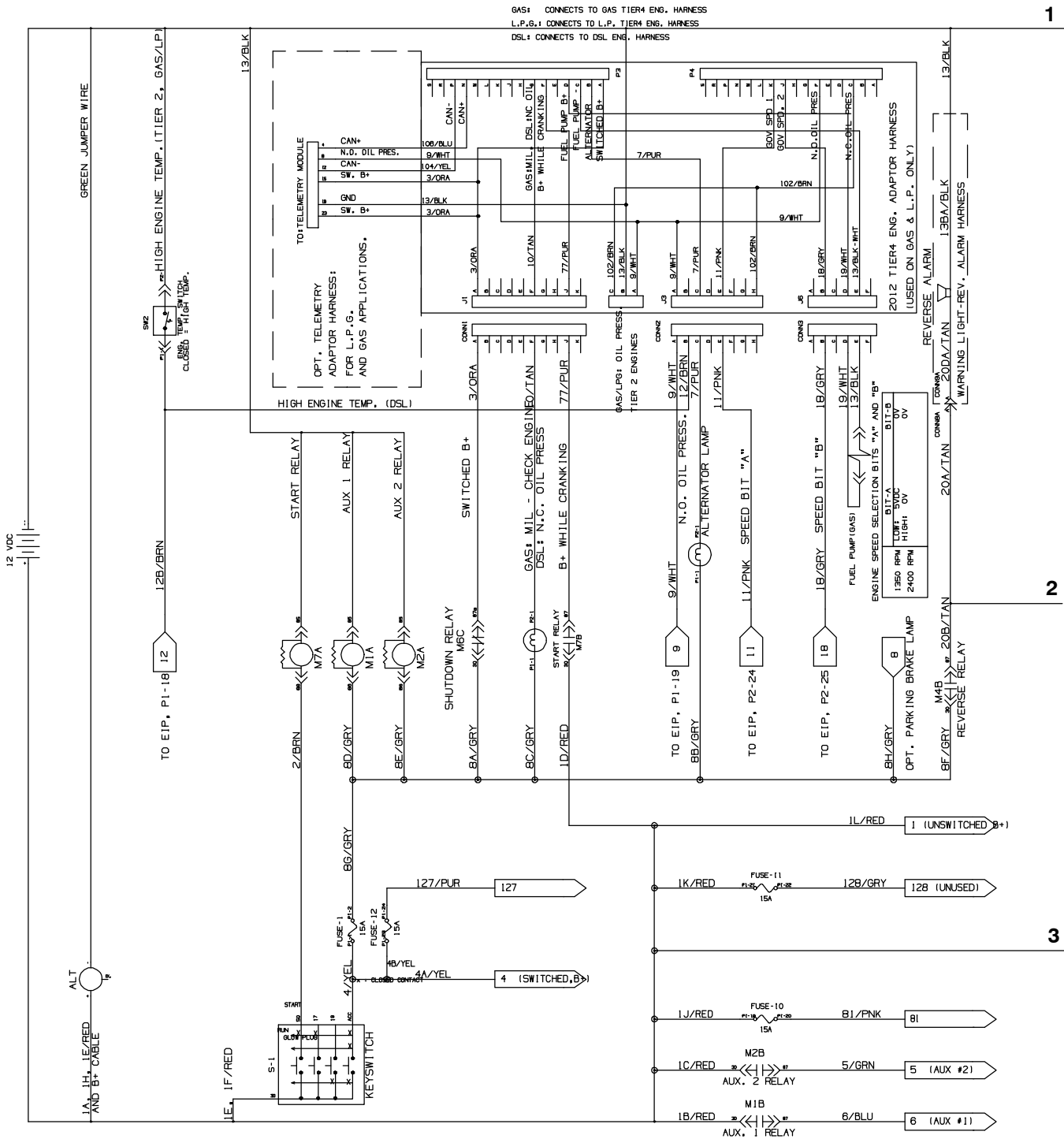


Fig. 95 – Mitsubishi Electrical Schematic (006000-)



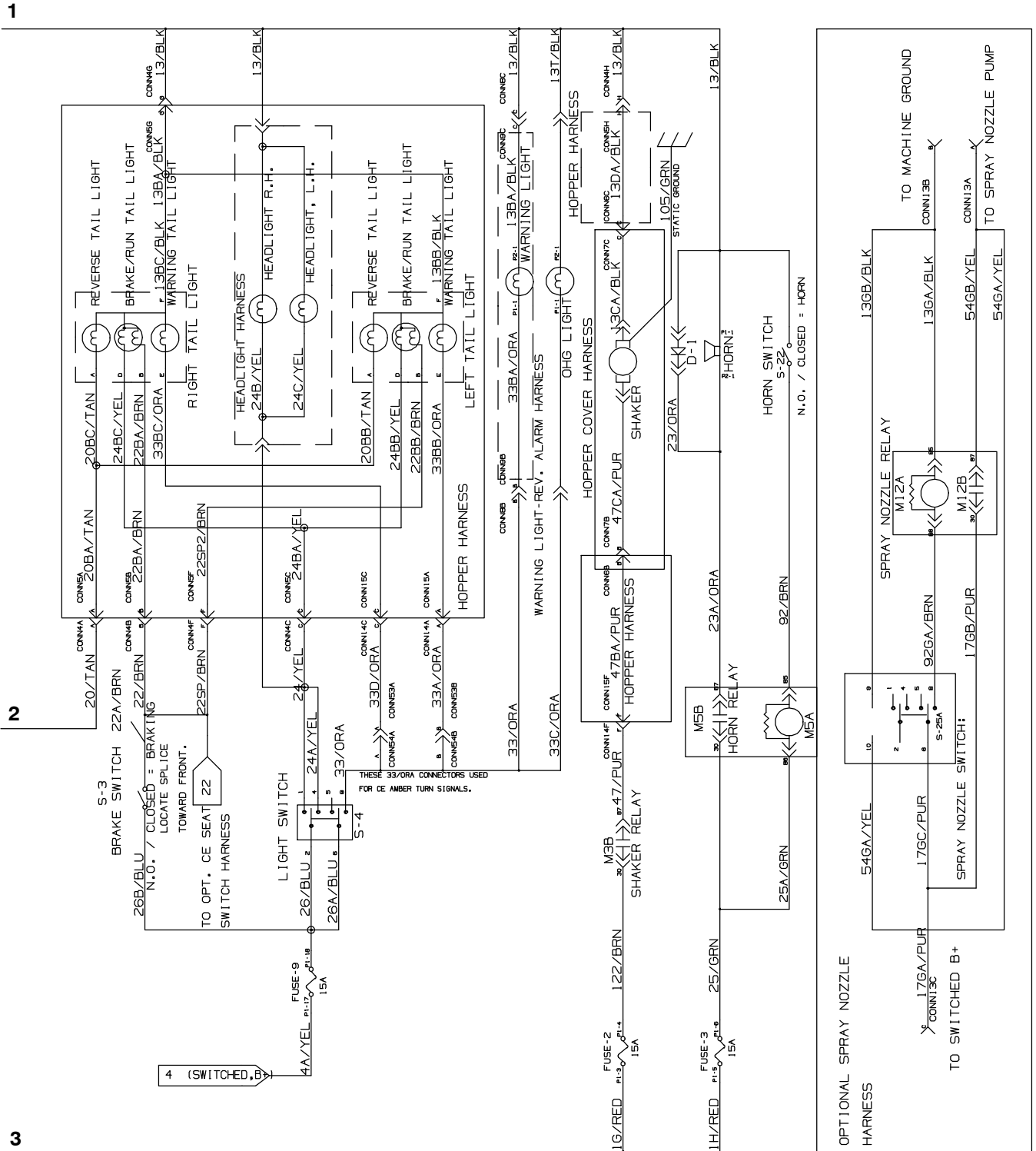
1

2

3

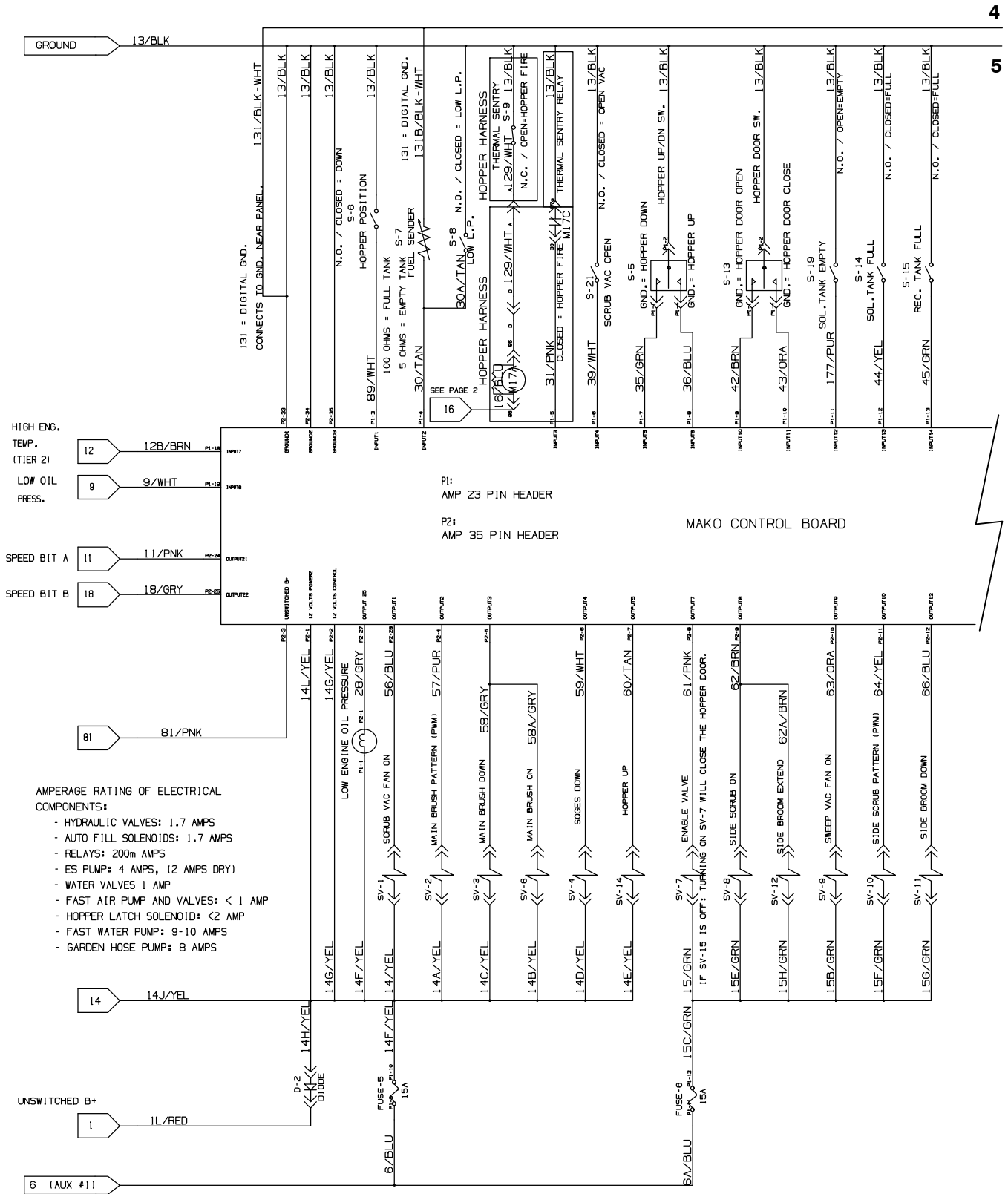
1018547 - 354458

Fig. 95 - Mitsubishi Electrical Schematic (006000-)



1018547 - 354458

Fig. 95 - Mitsubishi Electrical Schematic (006000-)



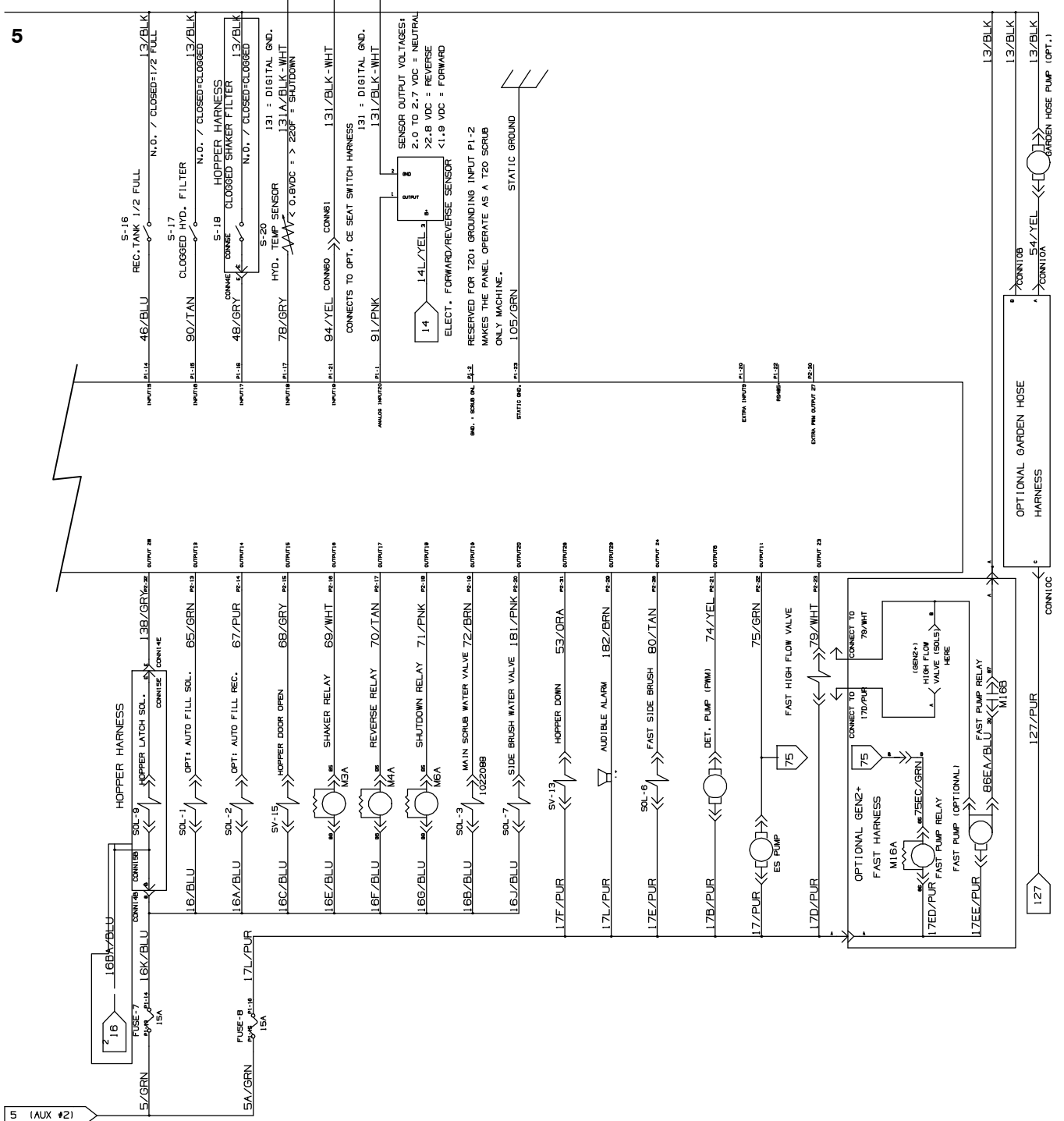
4
5

1018547 - 354458

Fig. 95 - Mitsubishi Electrical Schematic (006000-)

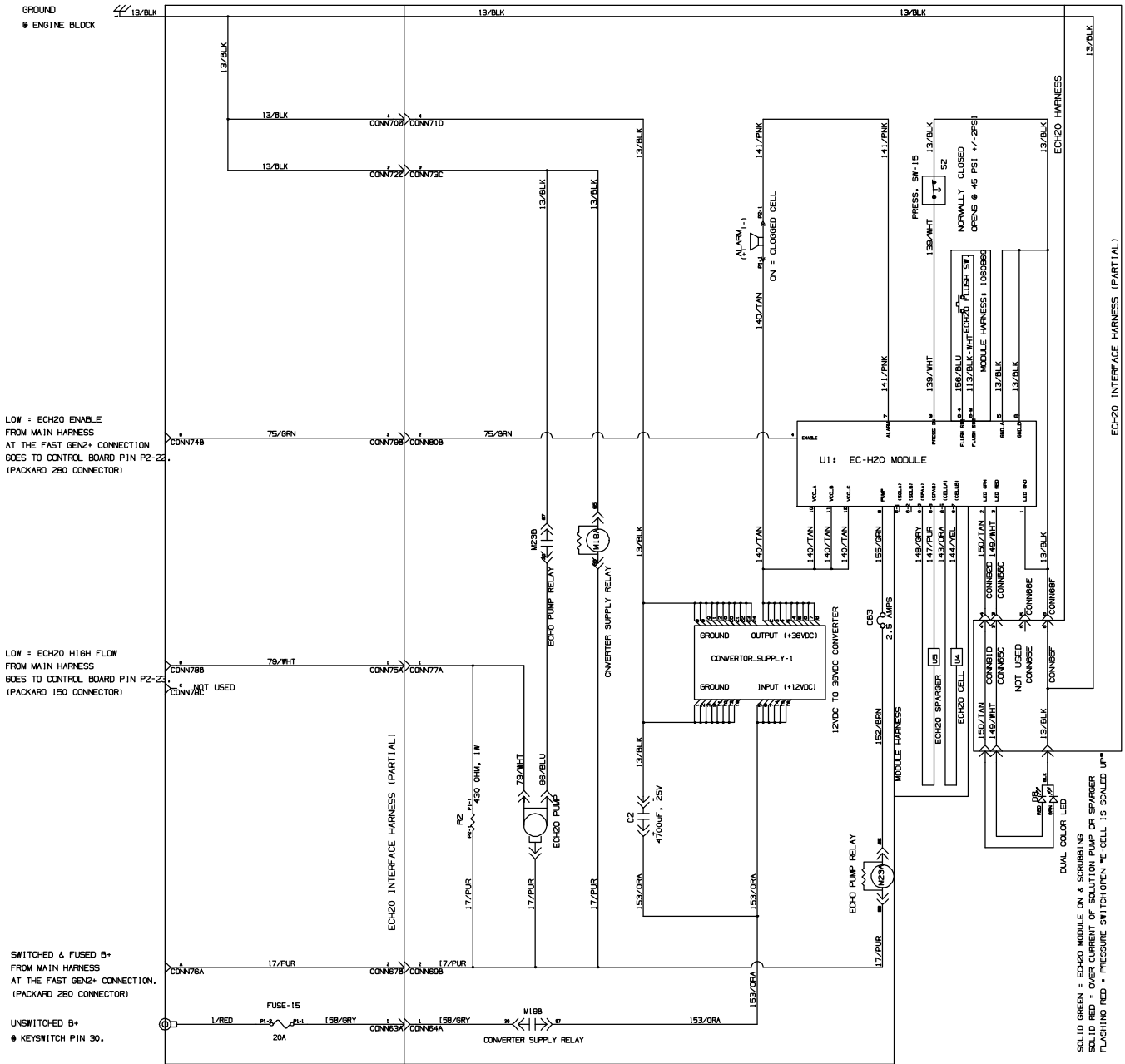
4

5



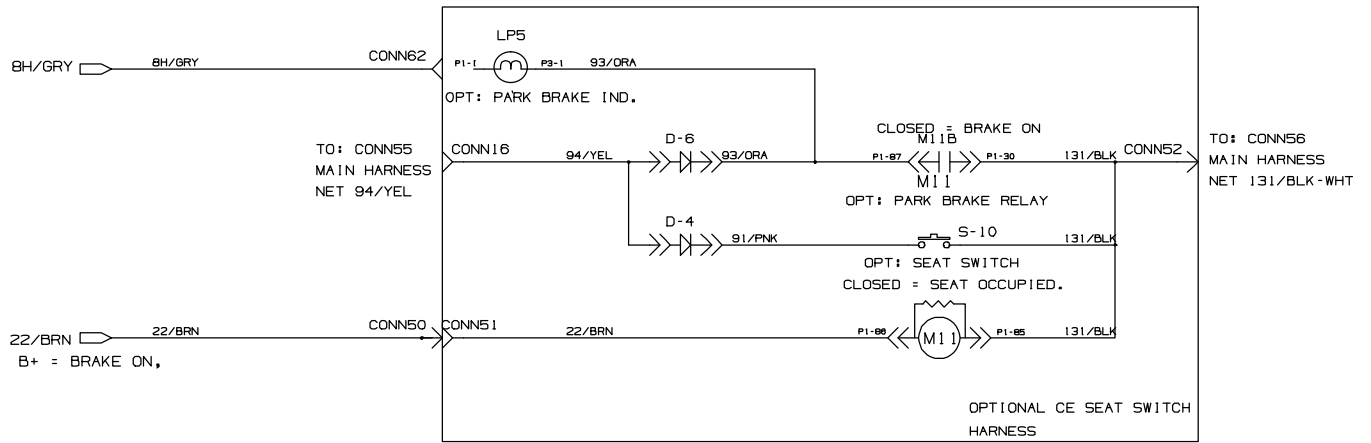
1018547 - 354458

Fig. 95 – Mitsubishi Electrical Schematic (006000-)



1018547 – 354458 – MITS

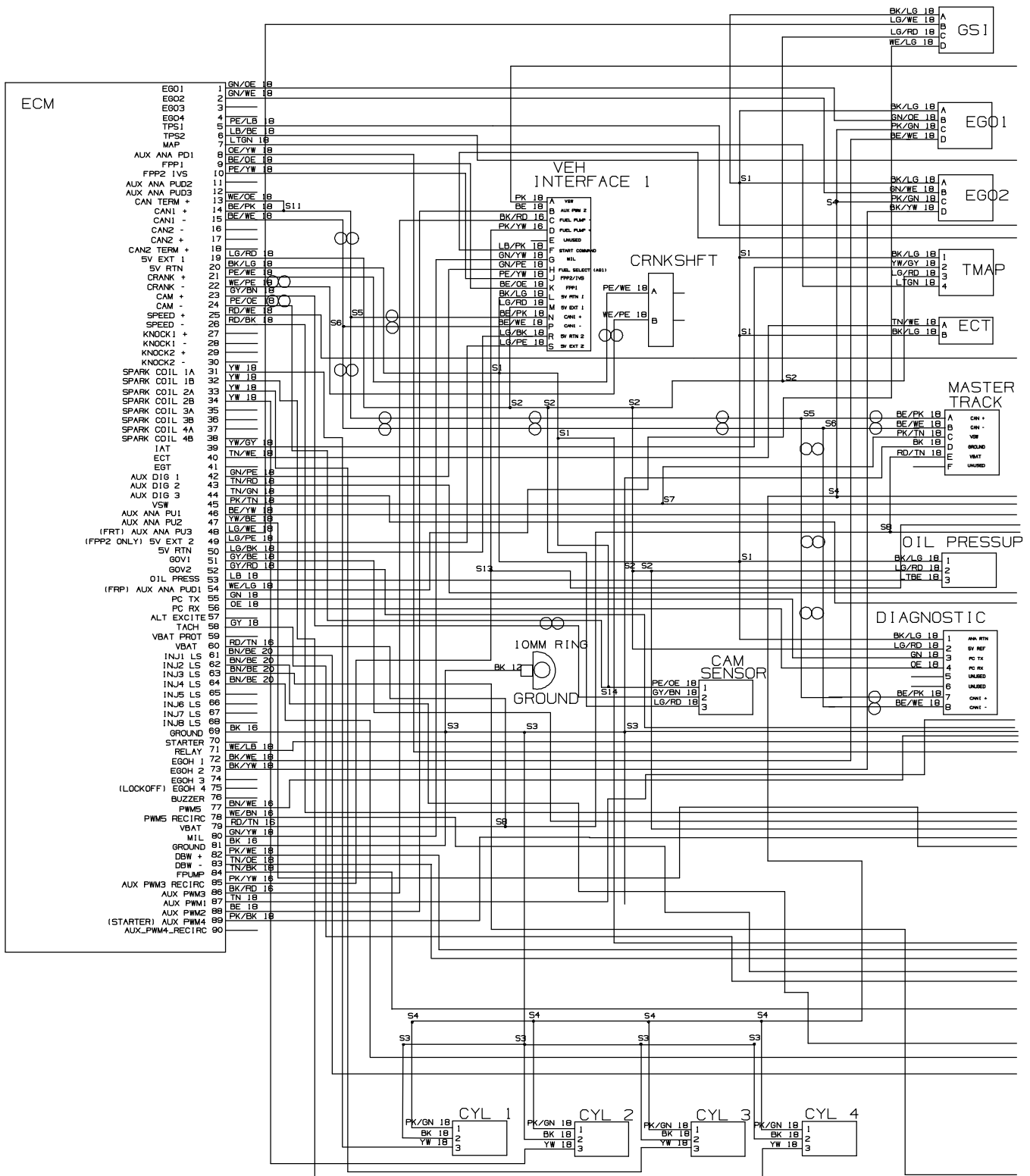
Fig. 95 – Mitsubishi Electrical Schematic (006000-)



OPTIONAL CE SEAT SWITCH SHUTDOWN CIRCUIT.

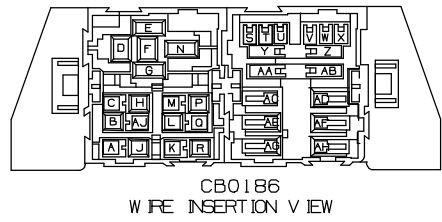
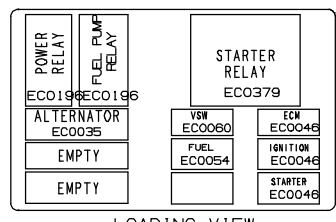
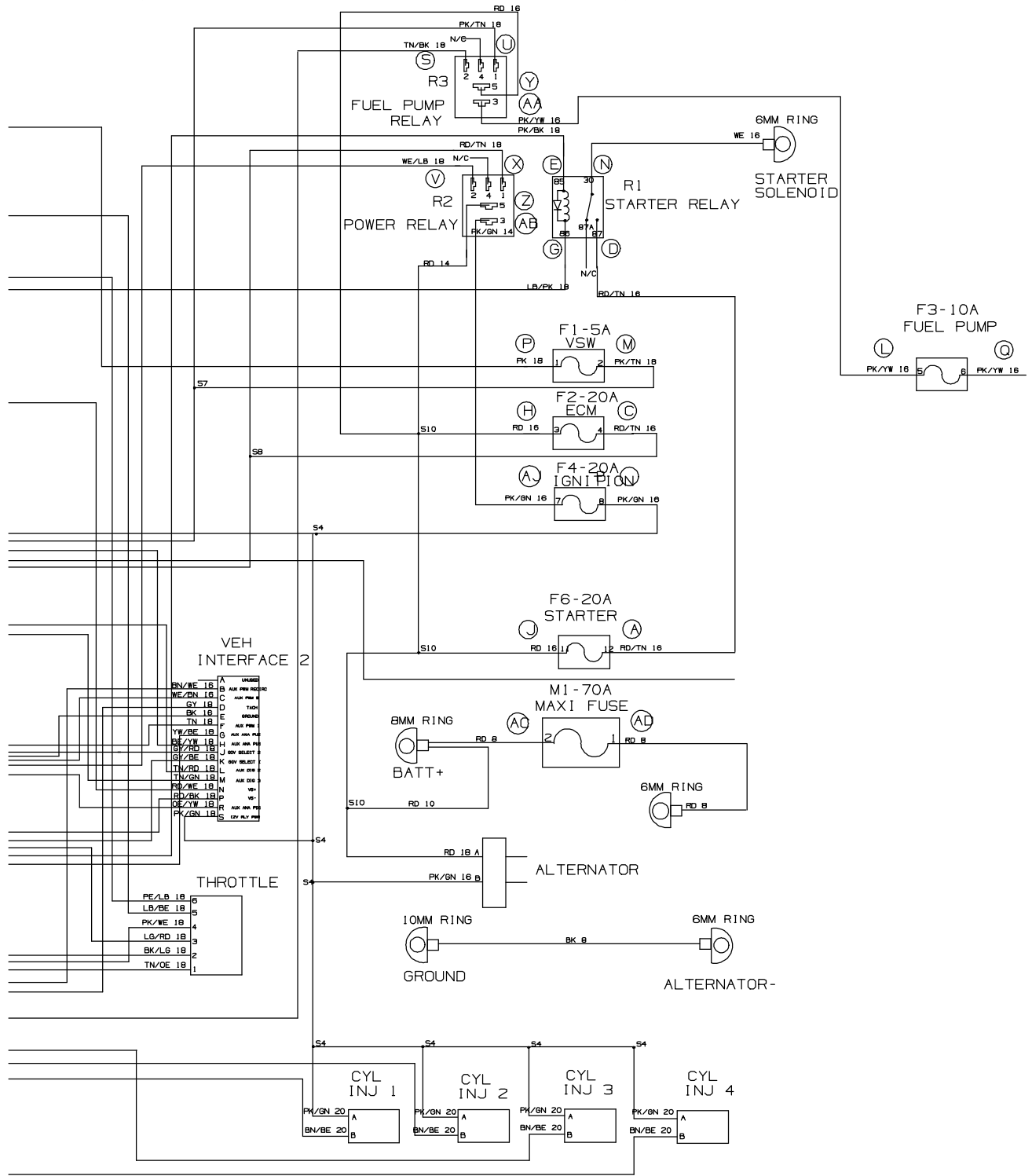
1018547 – 354458 – MITS

Fig. 96 – Mitsubishi Electrical Schematic, Gas Engine Harness (006000-)



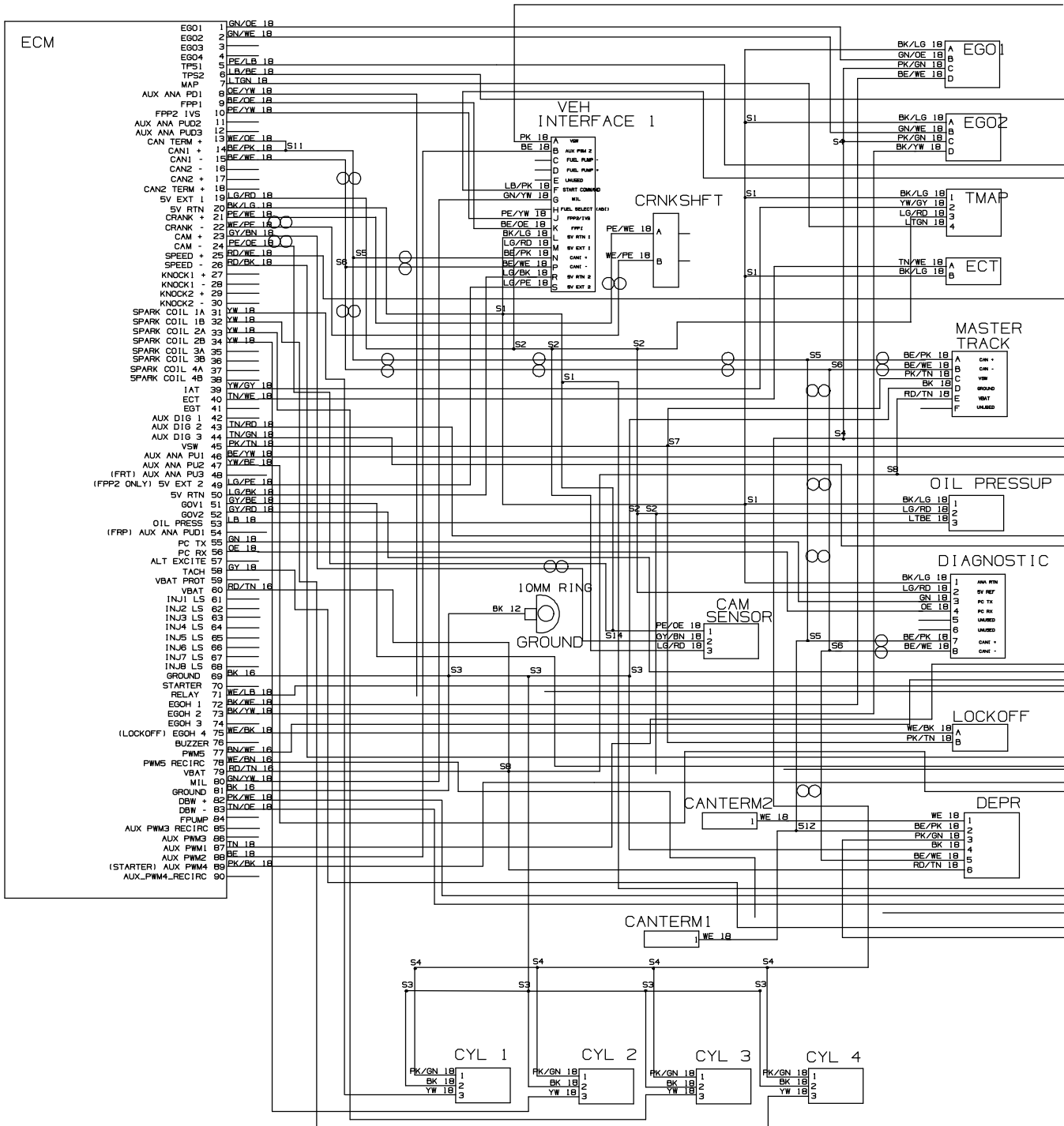
1071653- 356303

Fig. 96 – Mitsubishi Electrical Schematic, Gas Engine Harness (006000-)



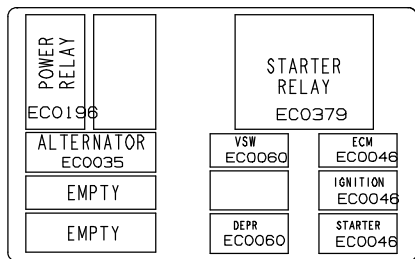
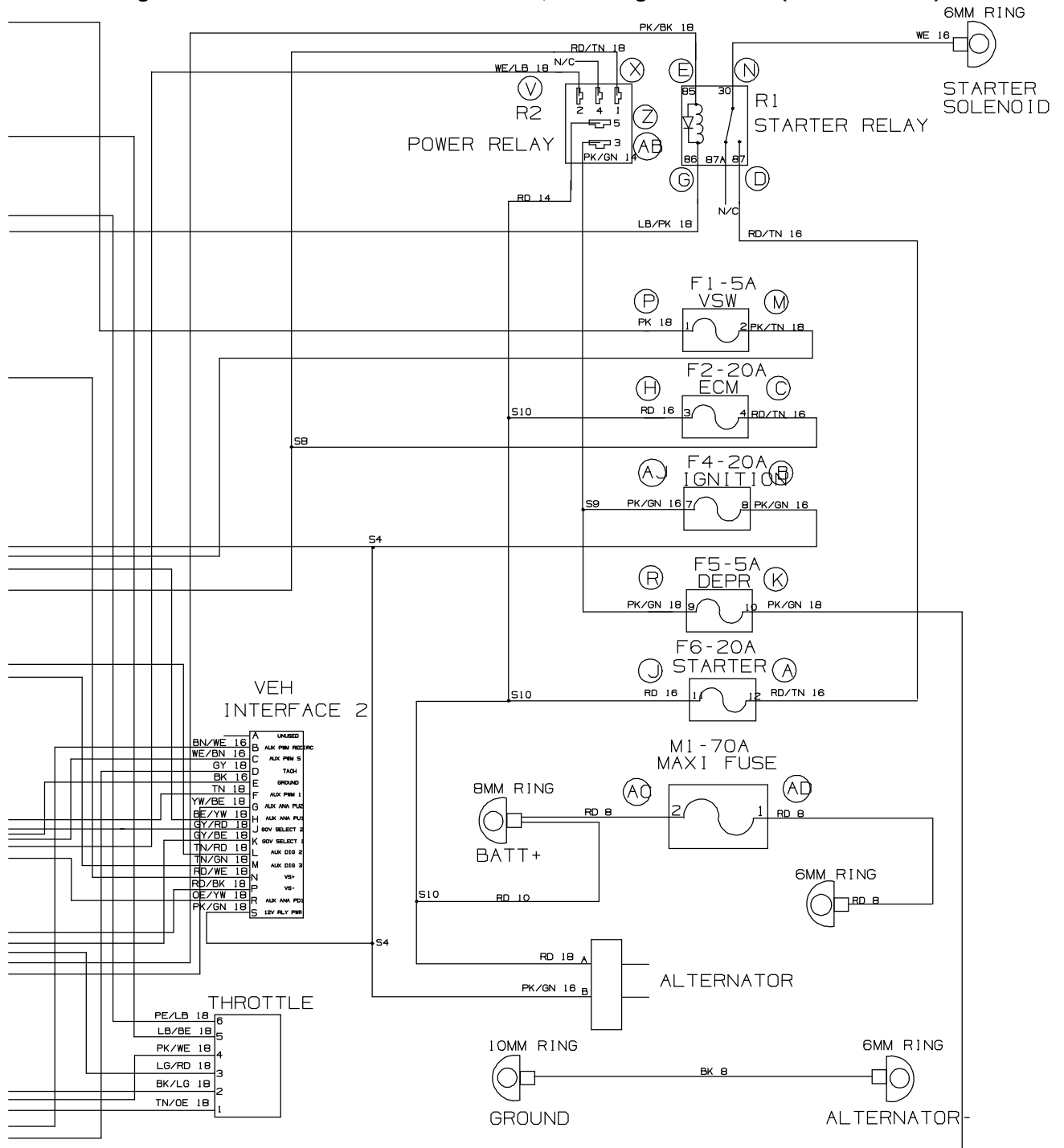
STANDARD PARTS

Fig. 97 - Mitsubishi Electrical Schematic, LPG Engine Harness (006000-)

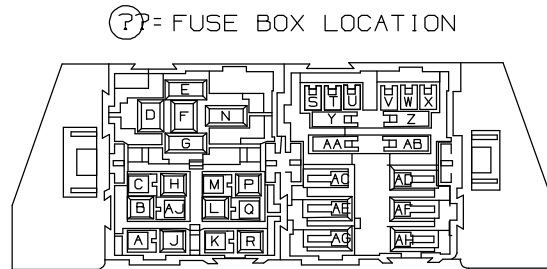


1071654- 356304

Fig. 97 - Mitsubishi Electrical Schematic, LPG Engine Harness (006000-)



LOADING VIEW



Ⓟ = FUSE BOX LOCATION

Fig. 98 - Electrical Wire Harnesses Group, Main

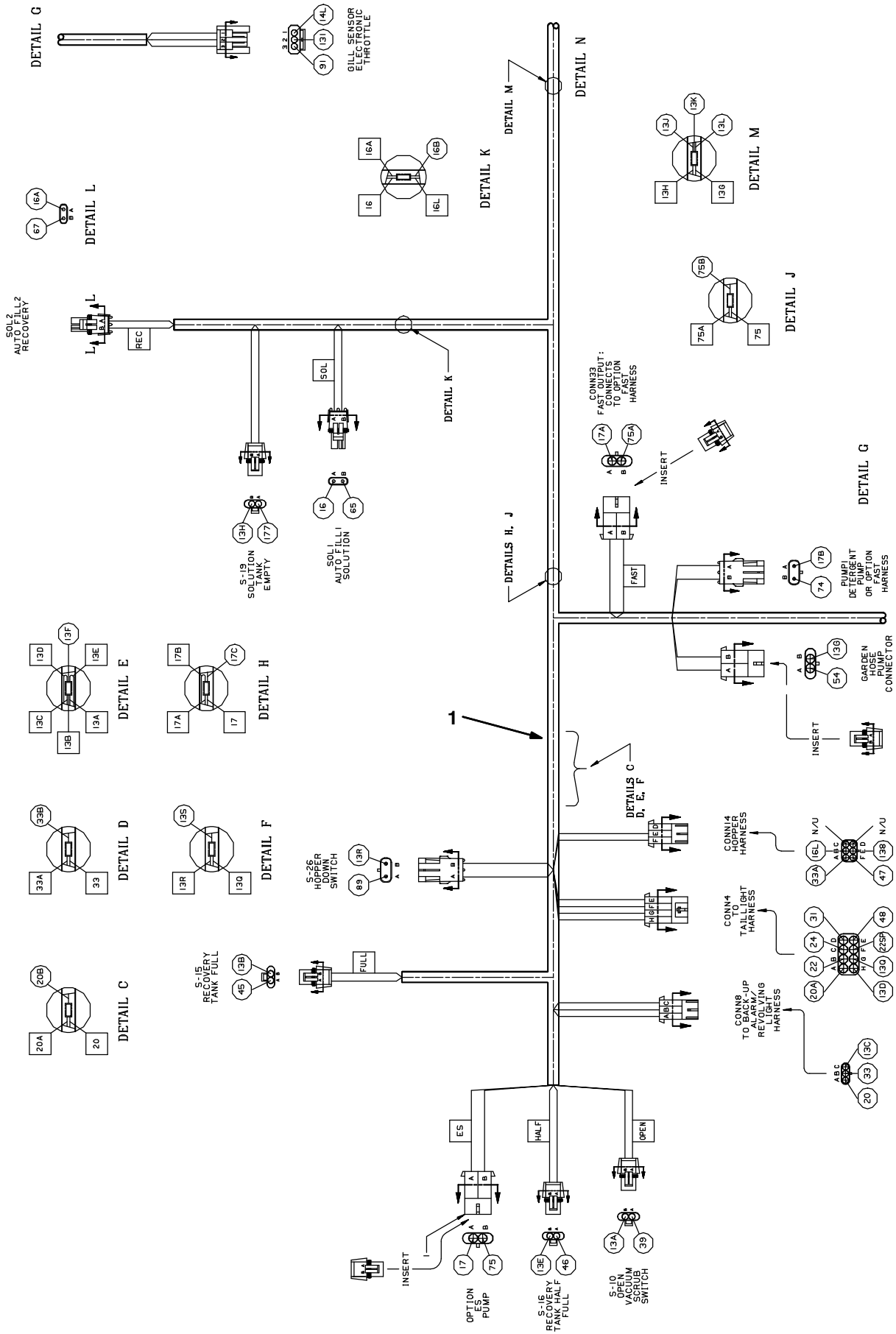


Fig. 98 - Electrical Wire Harness Group, Main

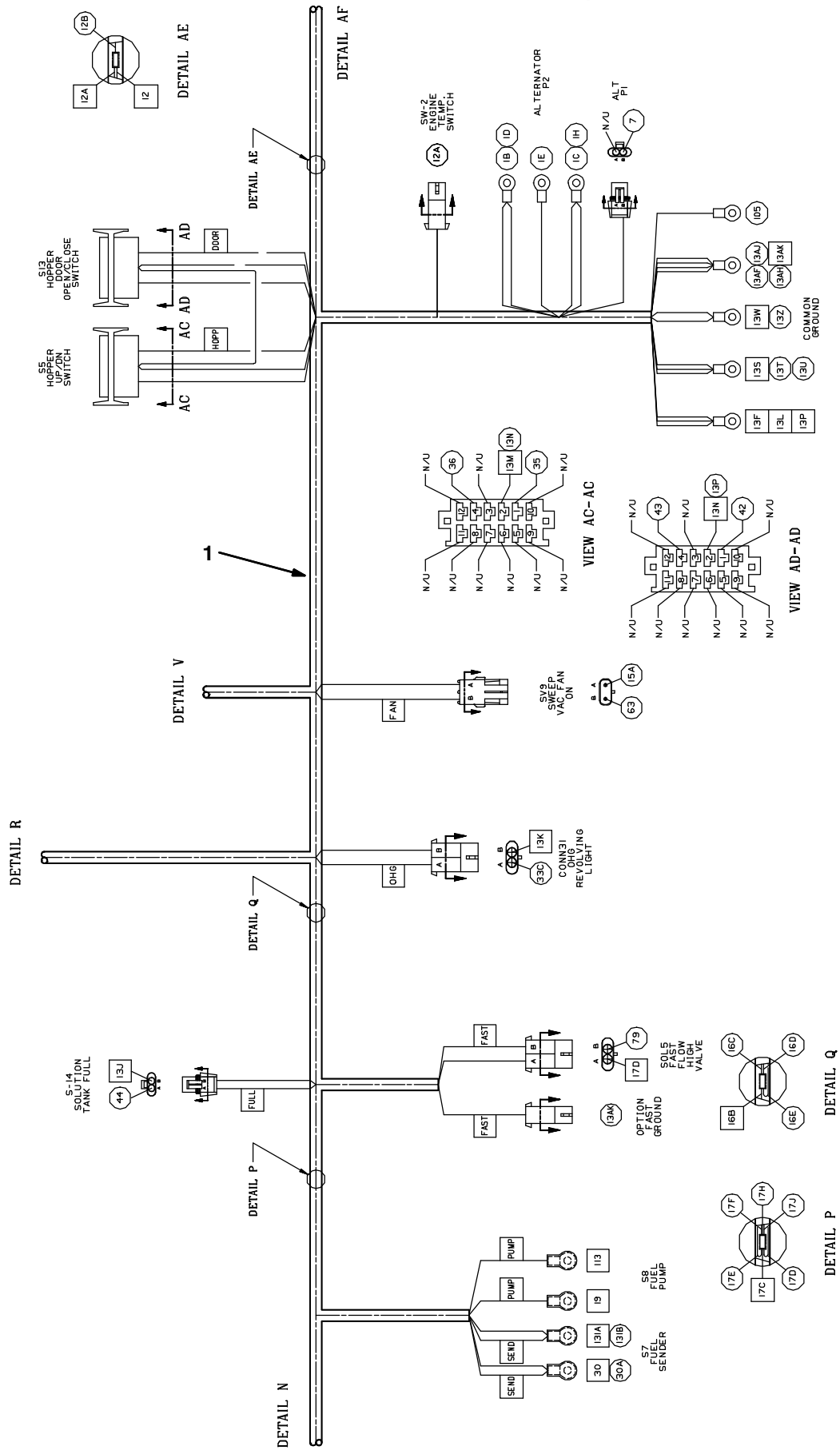
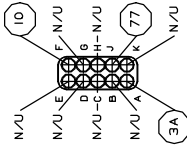
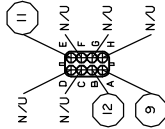


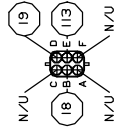
Fig. 98 - Electrical Wire Harness Group, Main



DETAIL X-X
ROTATED 90°



DETAIL Y-Y
ROTATED 90°



DETAIL Z-Z
ROTATED 90°



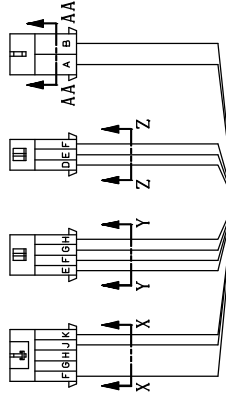
DETAIL AA-AA

CONN1
CONNECTS
HARNES
HARNES

CONN2
CONNECTS
HARNES
HARNES

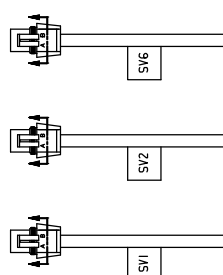
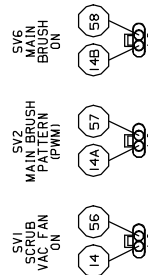
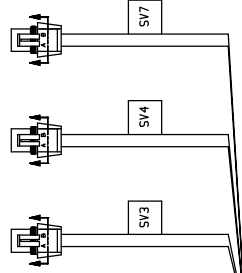
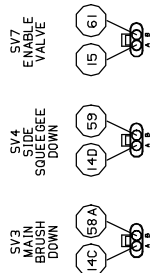
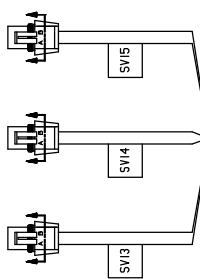
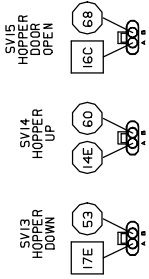
CONN3
CONNECTS
HARNES
HARNES

CONN4
CONNECTS
LIGHT
SENSOR



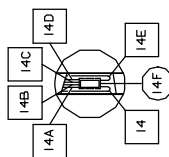
DETAIL W

DETAIL V

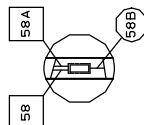


DETAILS S, T

DETAIL R



DETAIL T



DETAIL S

Fig. 98 - Electrical Wire Harness Group, Main

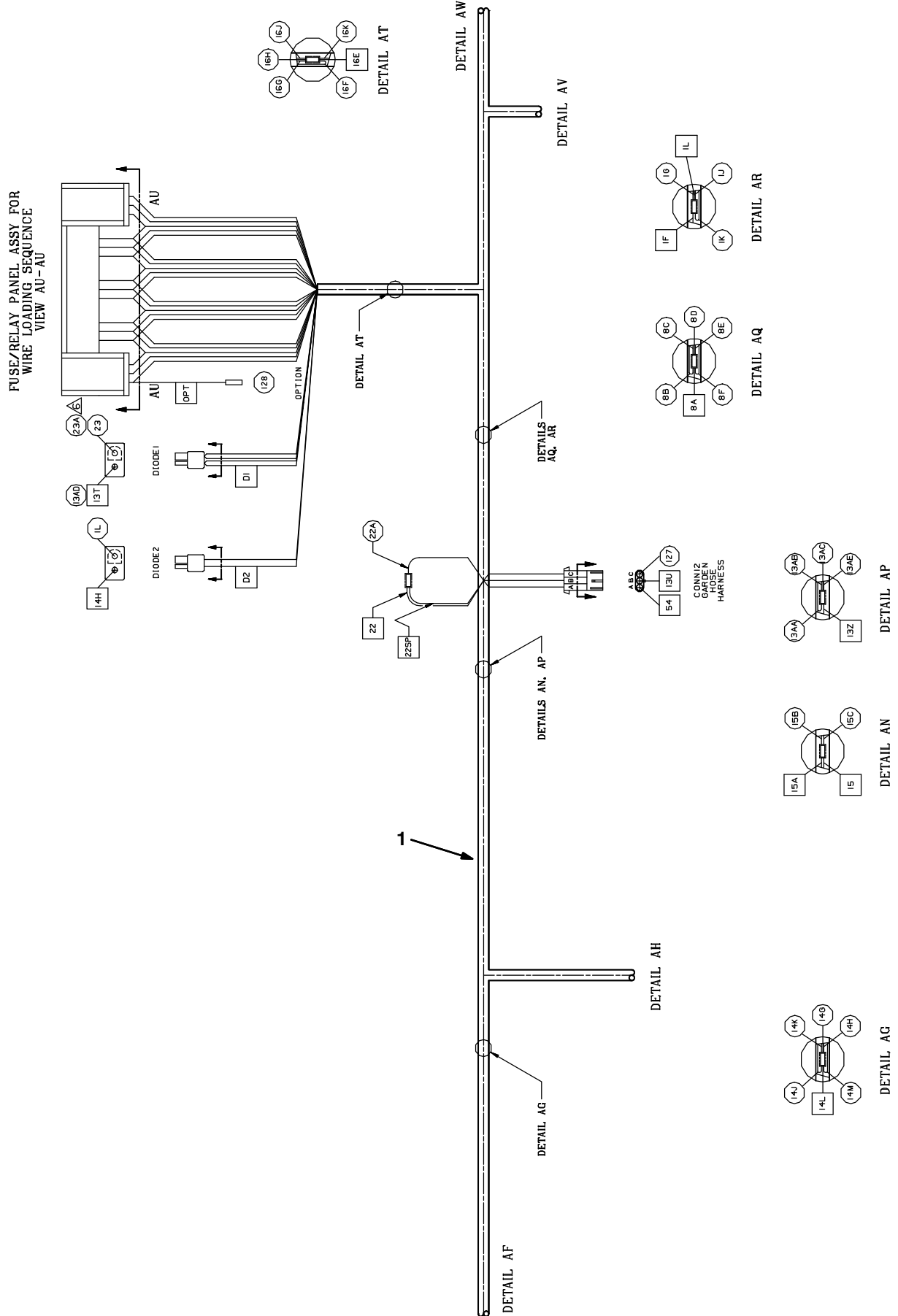


Fig. 98 - Electrical Wire Harness Group, Main

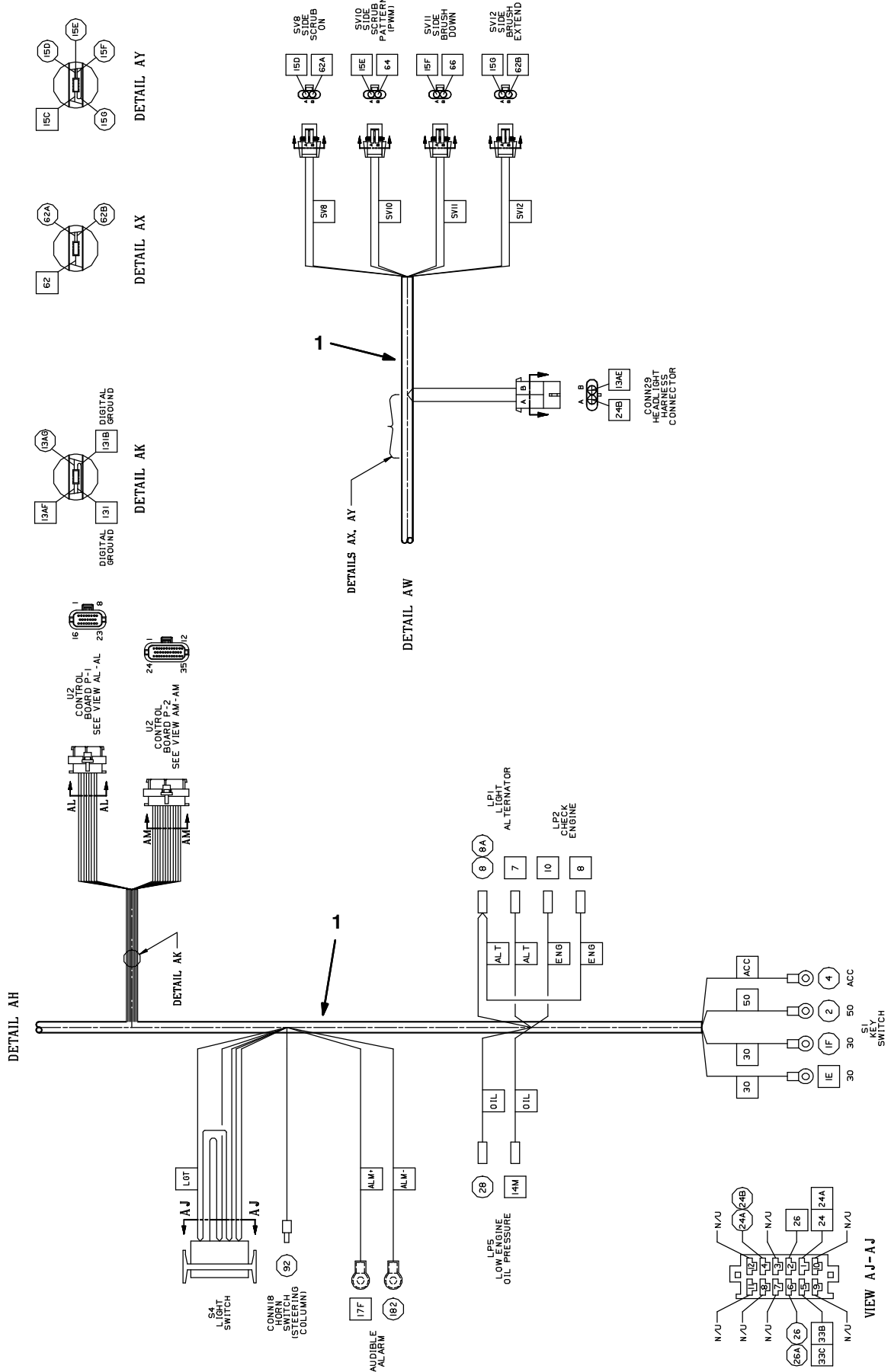


Fig. 98 - Electrical Wire Harness Group, Main

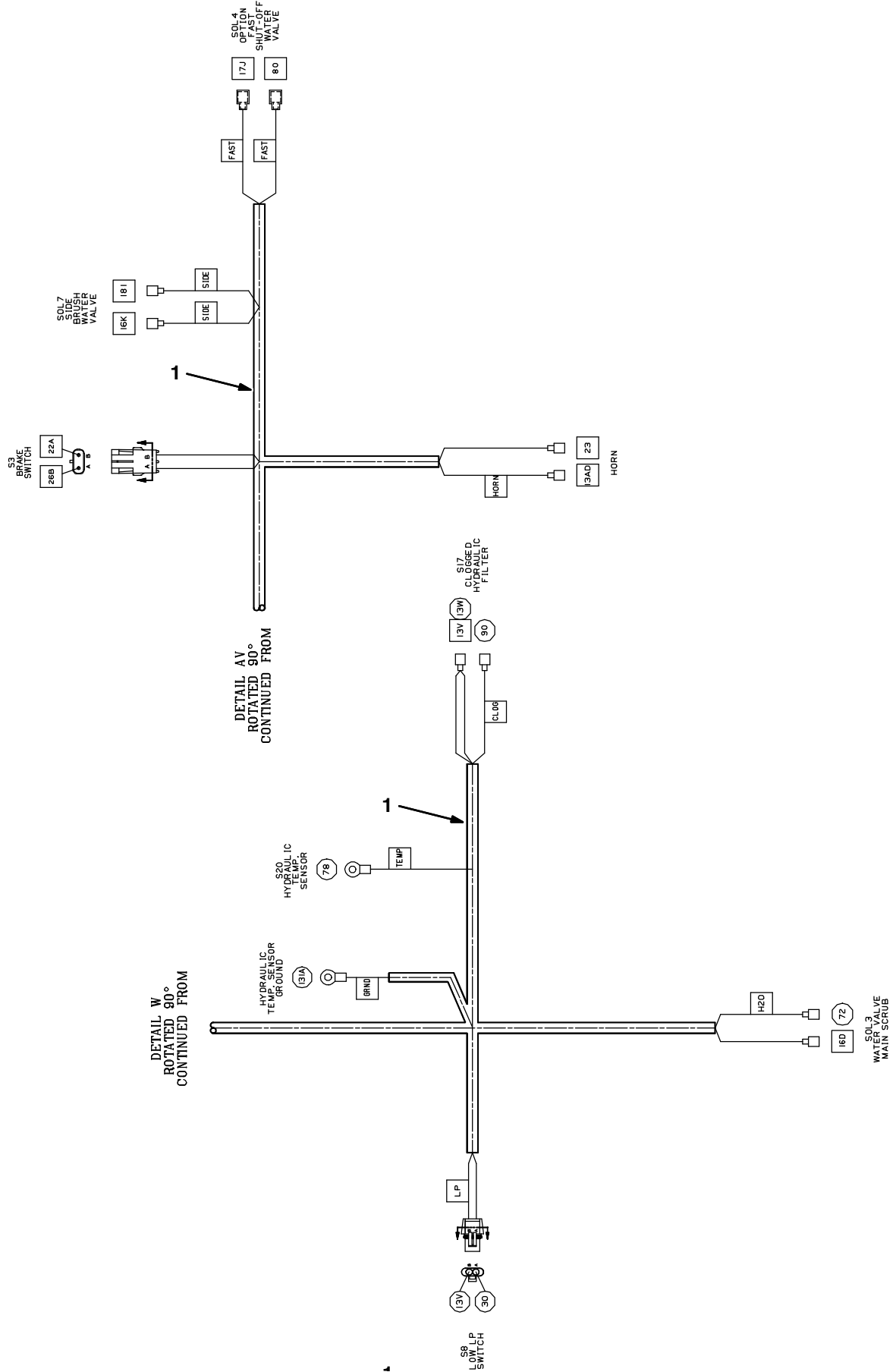
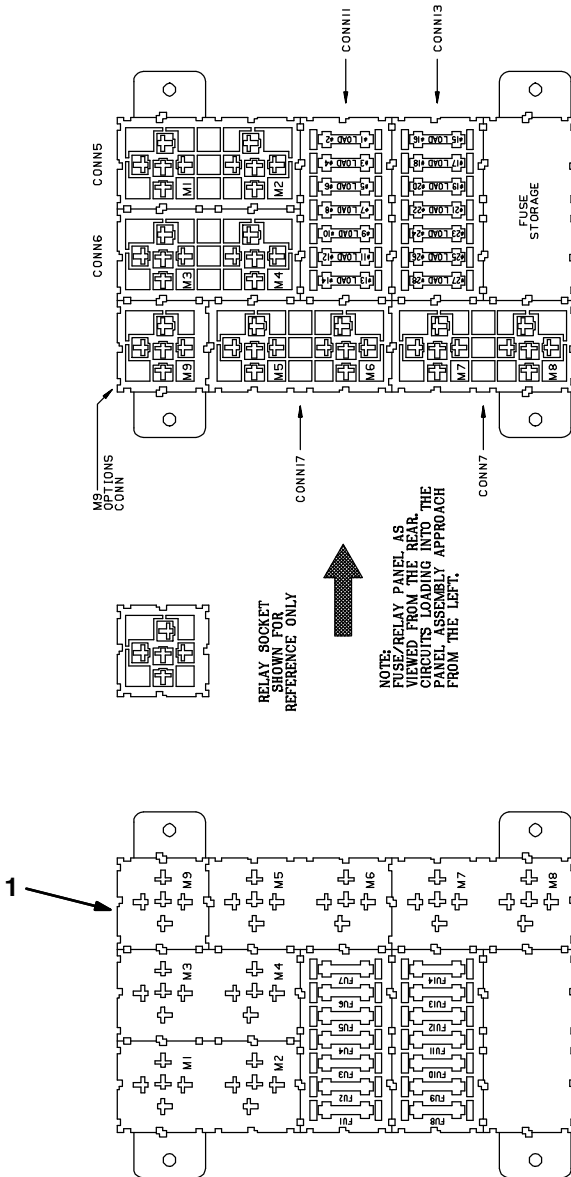
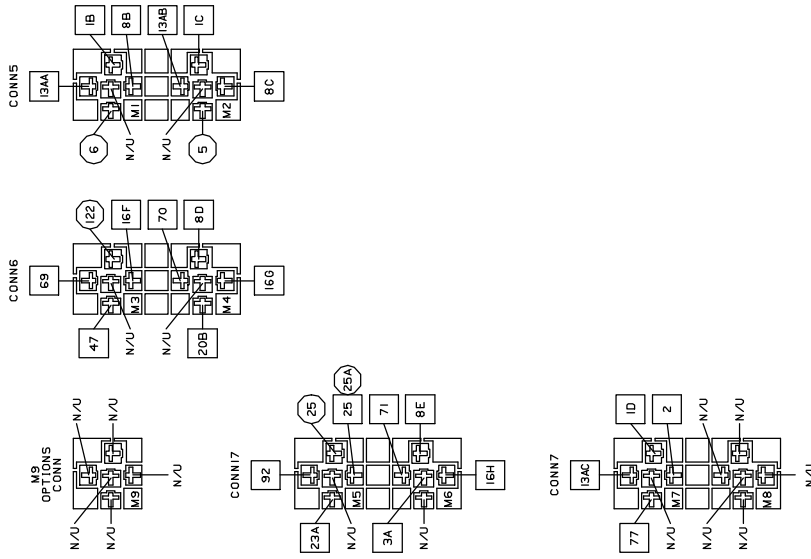


Fig. 98 - Electrical Wire Harness Group, Main



RELAY SOCKET POSITION FOR REFERENCE ONLY

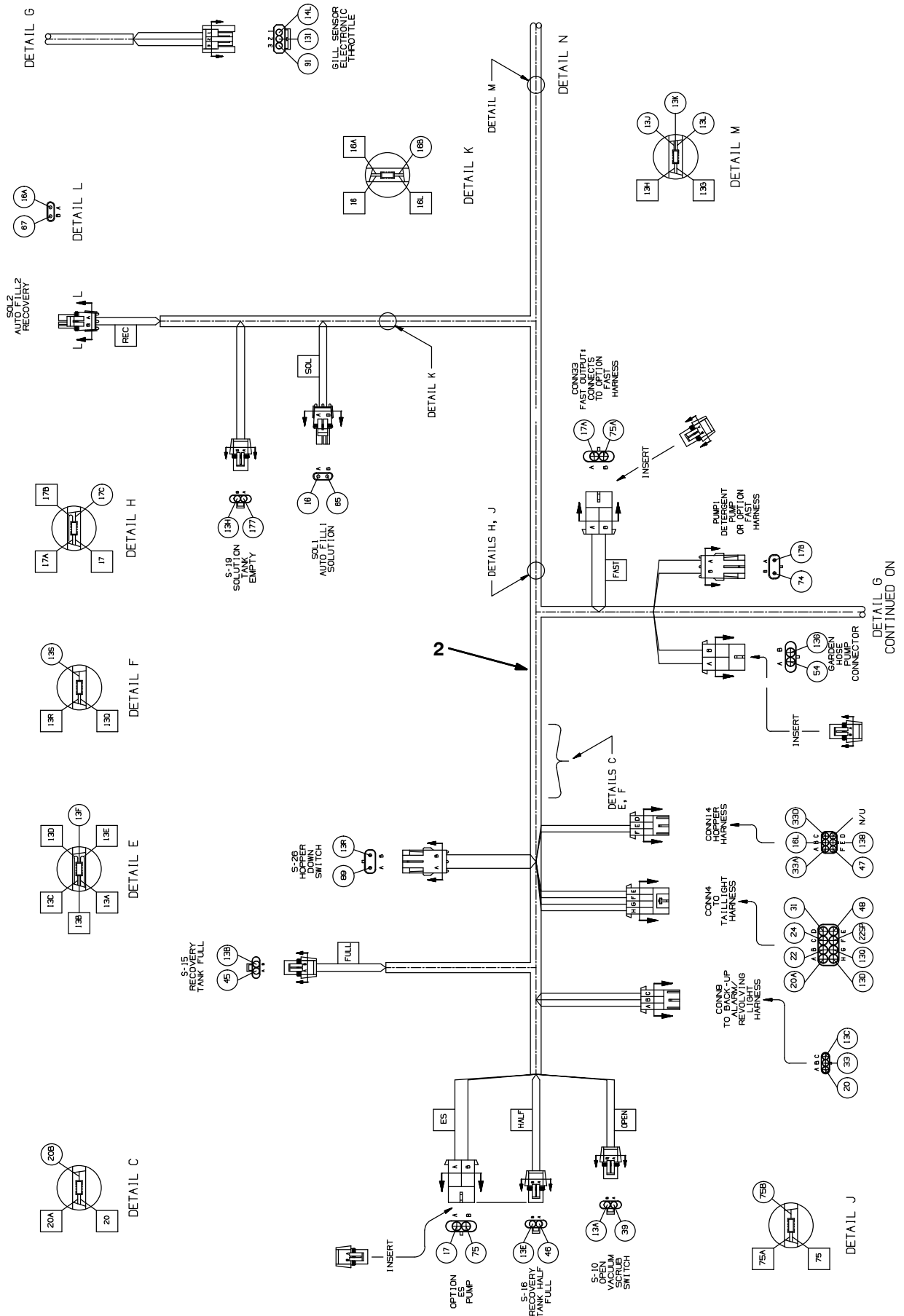
NOTE:
FUSE/RELAY PANEL AS VIEWED FROM THE REAR. CIRCUITS LOADING INTO THE PANEL ASSEMBLY APPROACH FROM THE LEFT.

VIEW AU-AU

FUSE/RELAY PANEL AS VIEWED FROM THE FRONT FOR RELAYS SILK SCREENING POSITIONING.

FUSE PANEL ASSEMBLY WIRING					
	CONN11 PIN POSITION	CONN11 TERMINAL LOADING BOTTOM HALF	CONN11 PIN POSITION	CONN11 TERMINAL LOADING TOP HALF	
FUSE 1	1	<input type="checkbox"/> 4 & O4A	2	<input type="checkbox"/> 8F	
FUSE 2	3	<input type="checkbox"/> 4	4	<input type="checkbox"/> 122	
FUSE 3	5	<input type="checkbox"/> IH	6	<input type="checkbox"/> 25A	
FUSE 4	7	<input type="checkbox"/> N/U	8	<input type="checkbox"/> X N/U	
FUSE 5	9	<input type="checkbox"/> 6 & O6A	10	<input type="checkbox"/> 14F & 14G	
FUSE 6	11	<input type="checkbox"/> 6A	12	<input type="checkbox"/> 15B	
FUSE 7	13	<input type="checkbox"/> 5 & O5A	14	<input type="checkbox"/> 16J	
	CONN13 PIN POSITION	CONN13 TERMINAL LOADING BOTTOM HALF	CONN13 PIN POSITION	CONN13 TERMINAL LOADING TOP HALF	
FUSE 8	15	<input type="checkbox"/> 5A	16	<input type="checkbox"/> 17H	
FUSE 9	17	<input type="checkbox"/> 4A & O4C	18	<input type="checkbox"/> 26A & O26B	
FUSE 10	19	<input type="checkbox"/> 4	20	<input type="checkbox"/> 128	
FUSE 11	21	<input type="checkbox"/> 4C	22	<input type="checkbox"/> 127	
FUSE 12	23	<input type="checkbox"/> X N/U	24	<input type="checkbox"/> X N/U	
FUSE 13	25	<input type="checkbox"/> X N/U	26	<input type="checkbox"/> X N/U	
FUSE 14	27	<input type="checkbox"/> X N/U	28	<input type="checkbox"/> X N/U	

Fig. 98 - Electrical Wire Harness Group, Main



CONTINUED ON

Fig. 98 - Electrical Wire Harness Group, Main

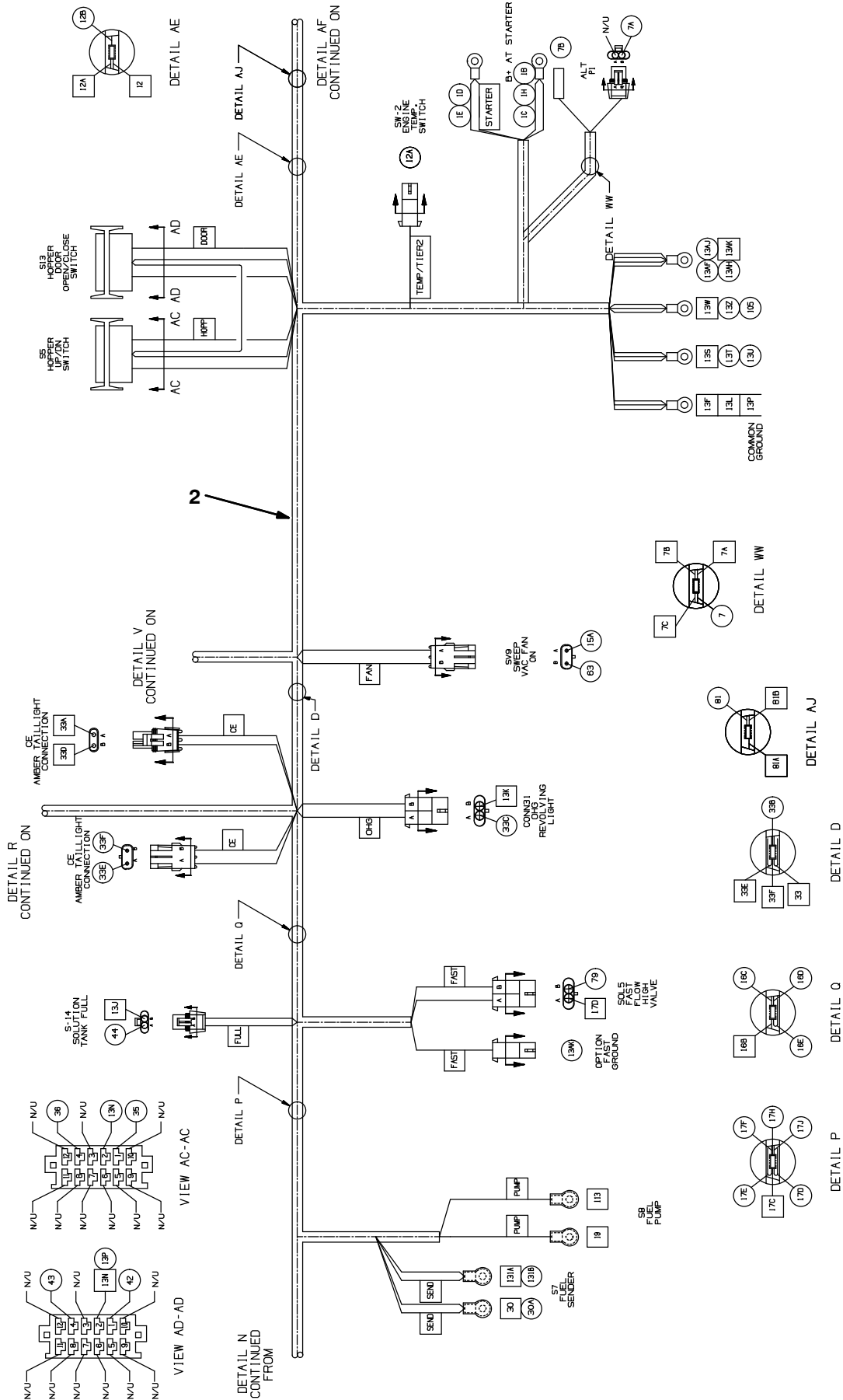


Fig. 98 - Electrical Wire Harness Group, Main

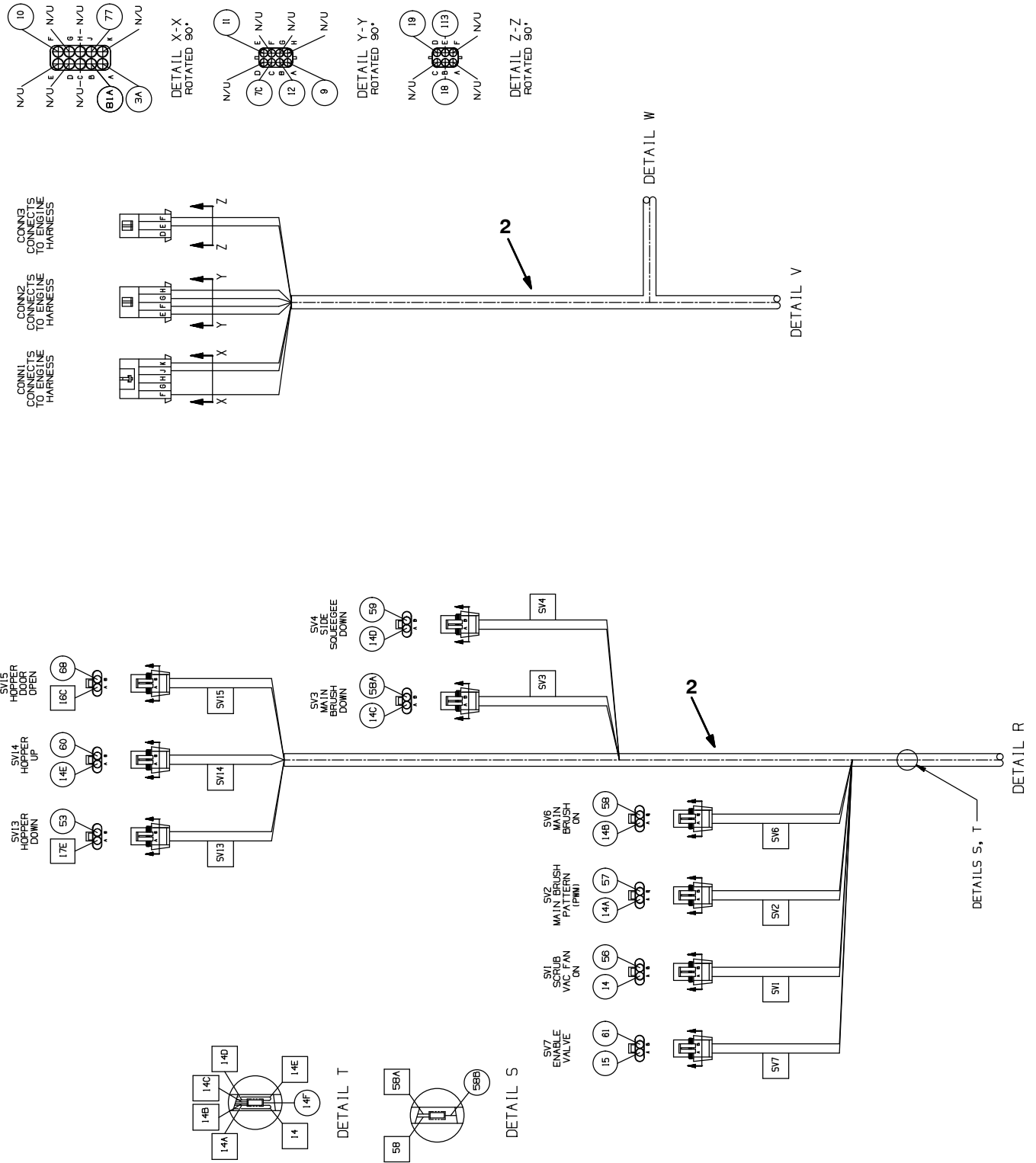


Fig. 98 - Electrical Wire Harness Group, Main

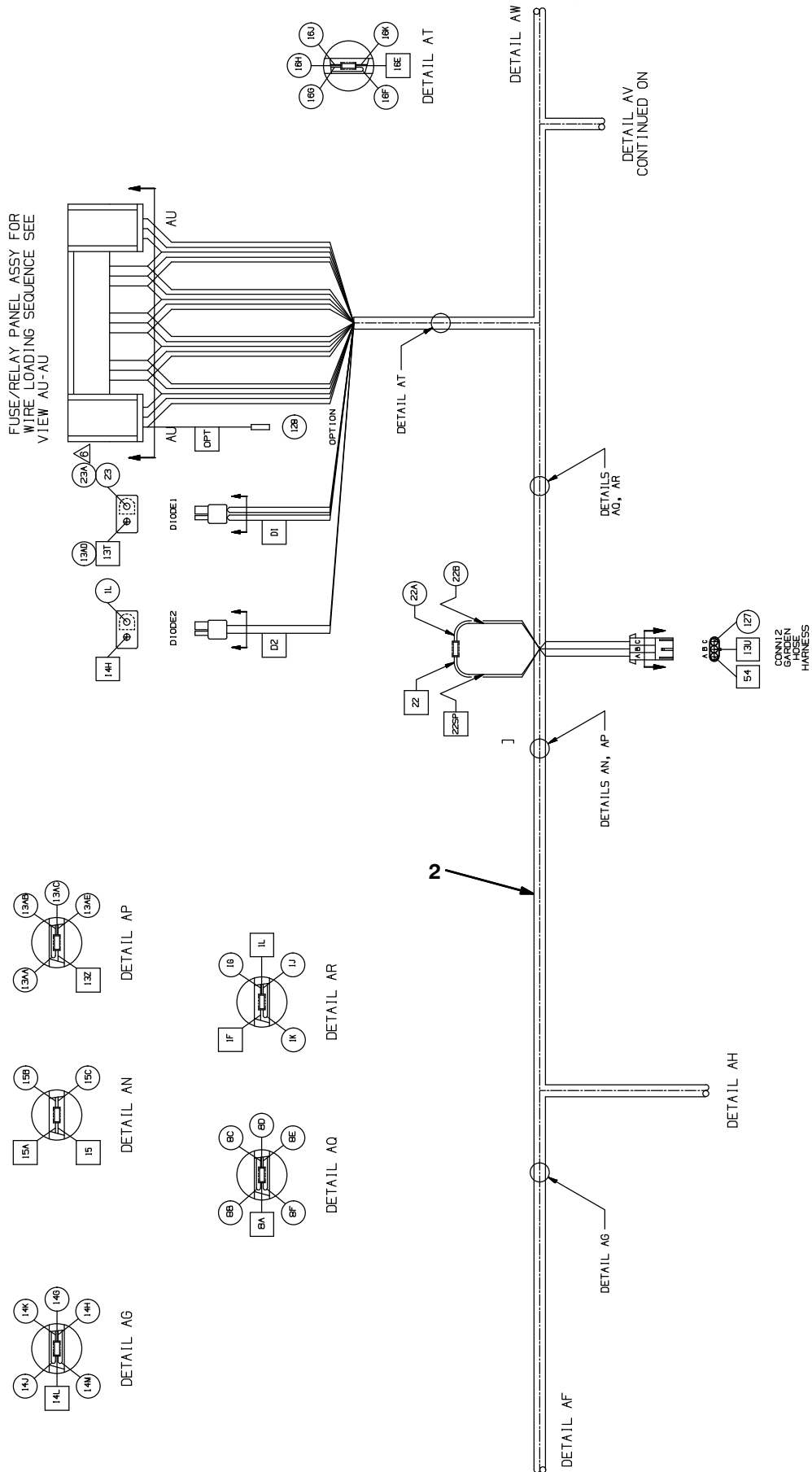


Fig. 98 - Electrical Wire Harness Group, Main

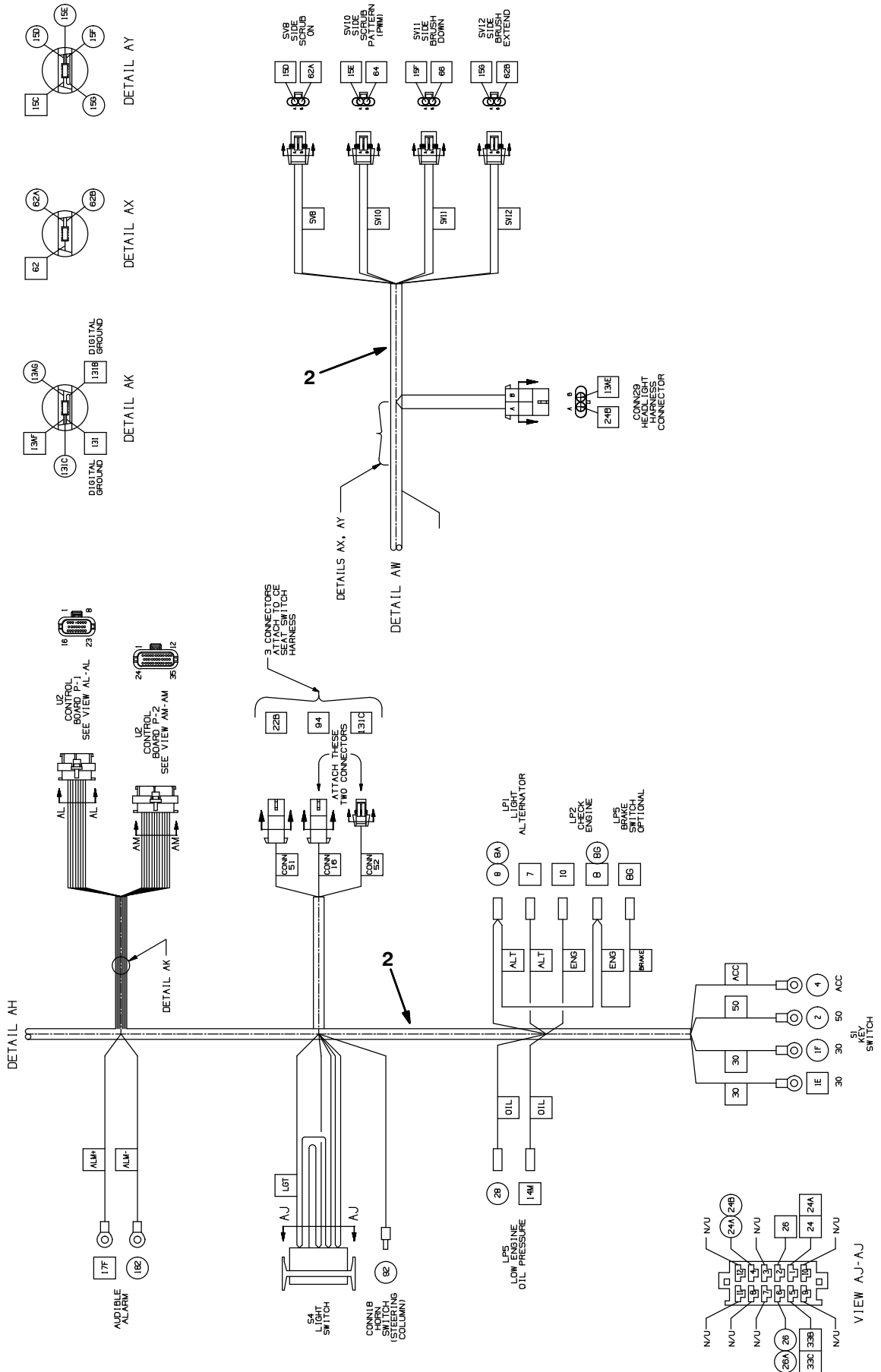


Fig. 98 - Electrical Wire Harness Group, Main

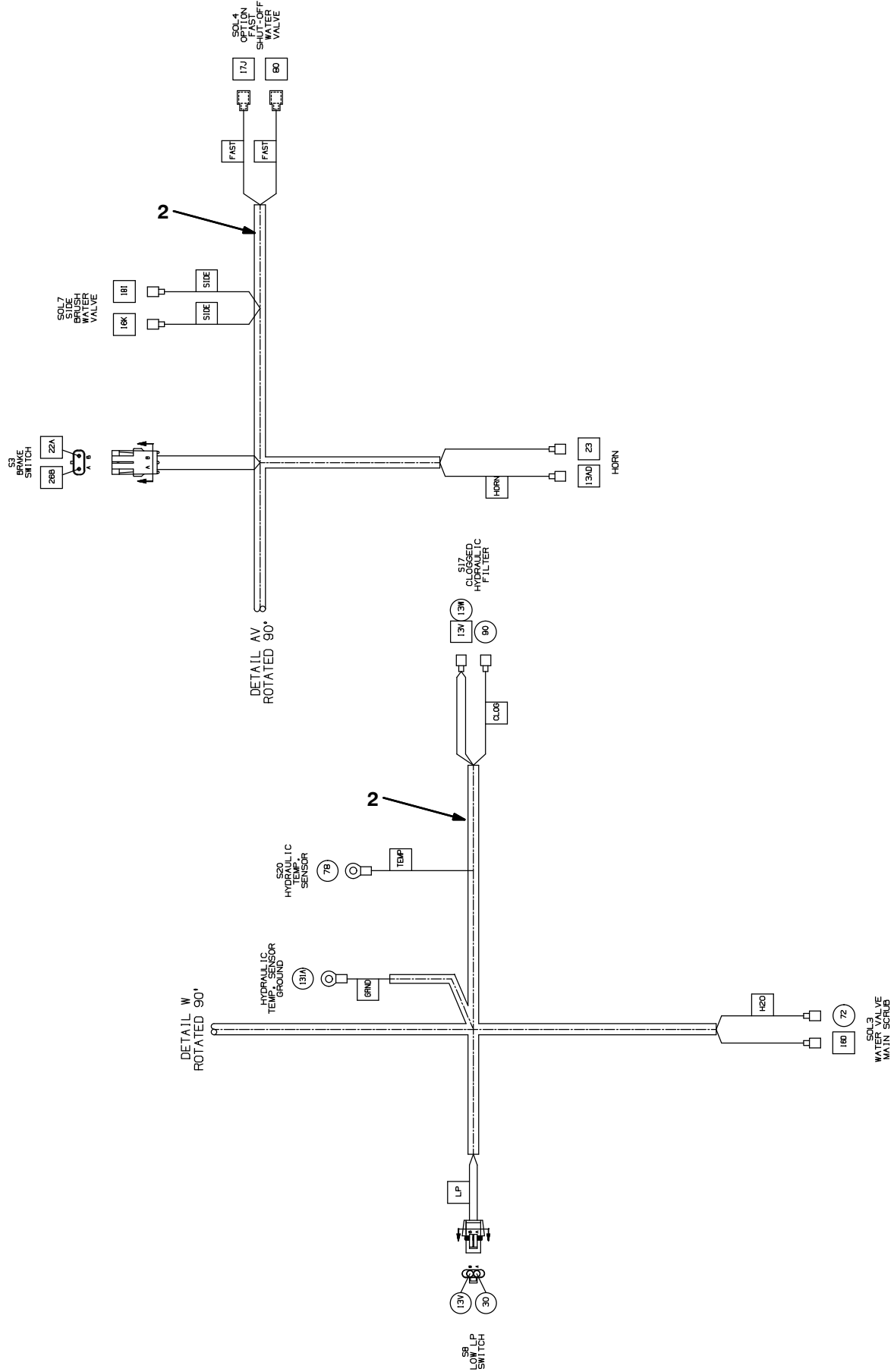
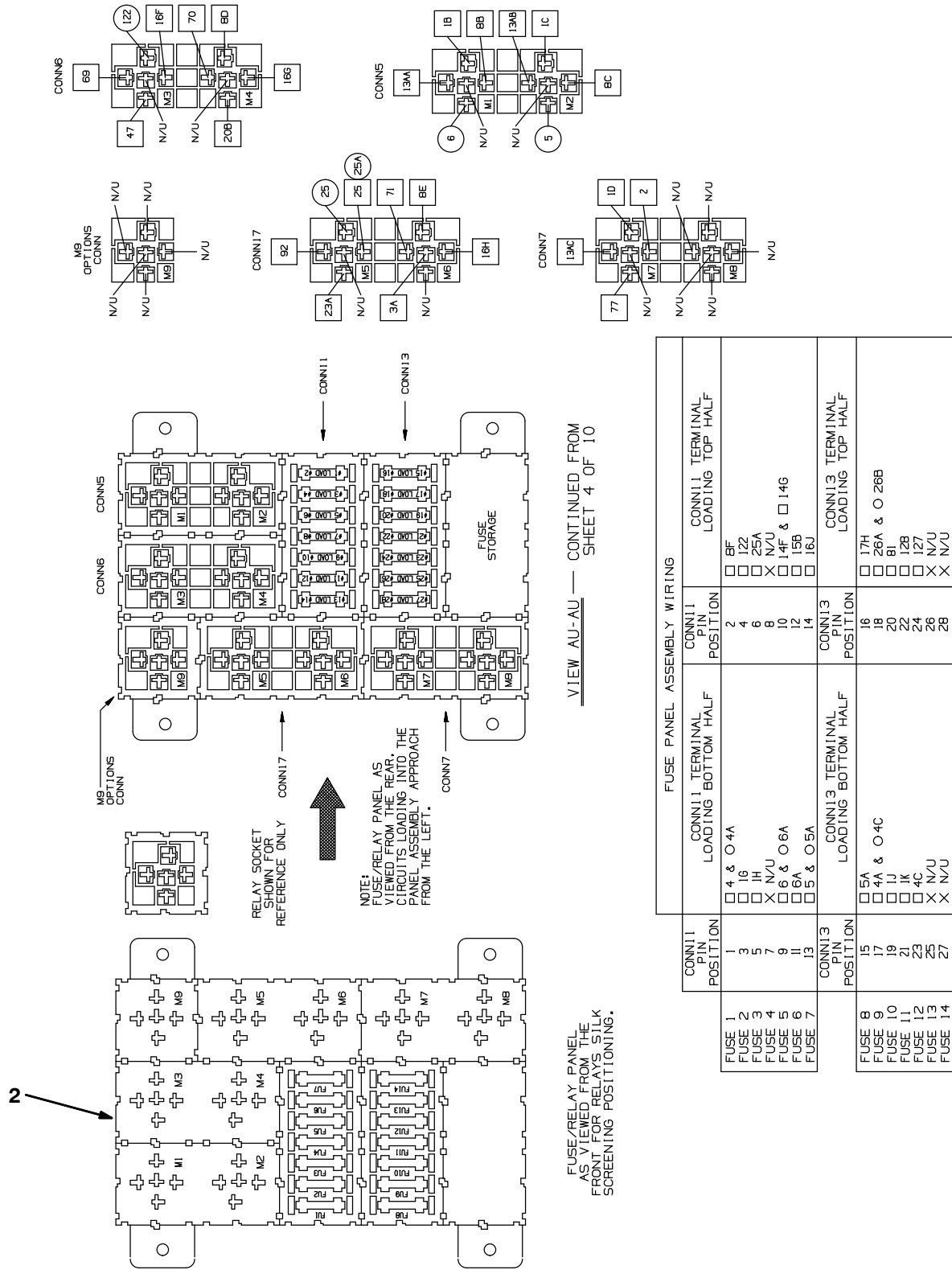
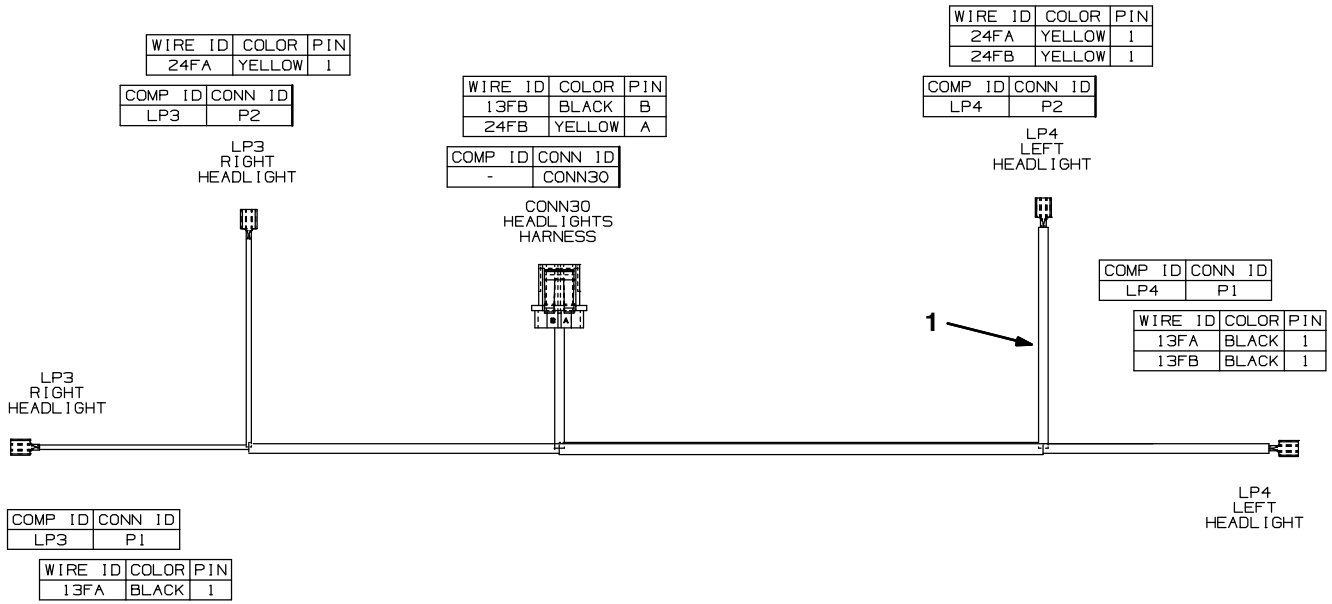


Fig. 98 - Electrical Wire Harness Group, Main



Ref.	Part No.	Serial Number	Description	Qty.
1	1018549	(000000-002273)	Harness, Main [M20]	1
2	1071603	(002274-)	Harness, Main [M20]	1

Fig. 99 – Electrical Wire Harness Group, Headlight



Ref.	Part No.	Serial Number	Description	Qty.
1	1024141	(000000-)	Harness, Headlight [M20 And T20]	1

Fig. 100 – Electrical Wire Harness Group, Hopper

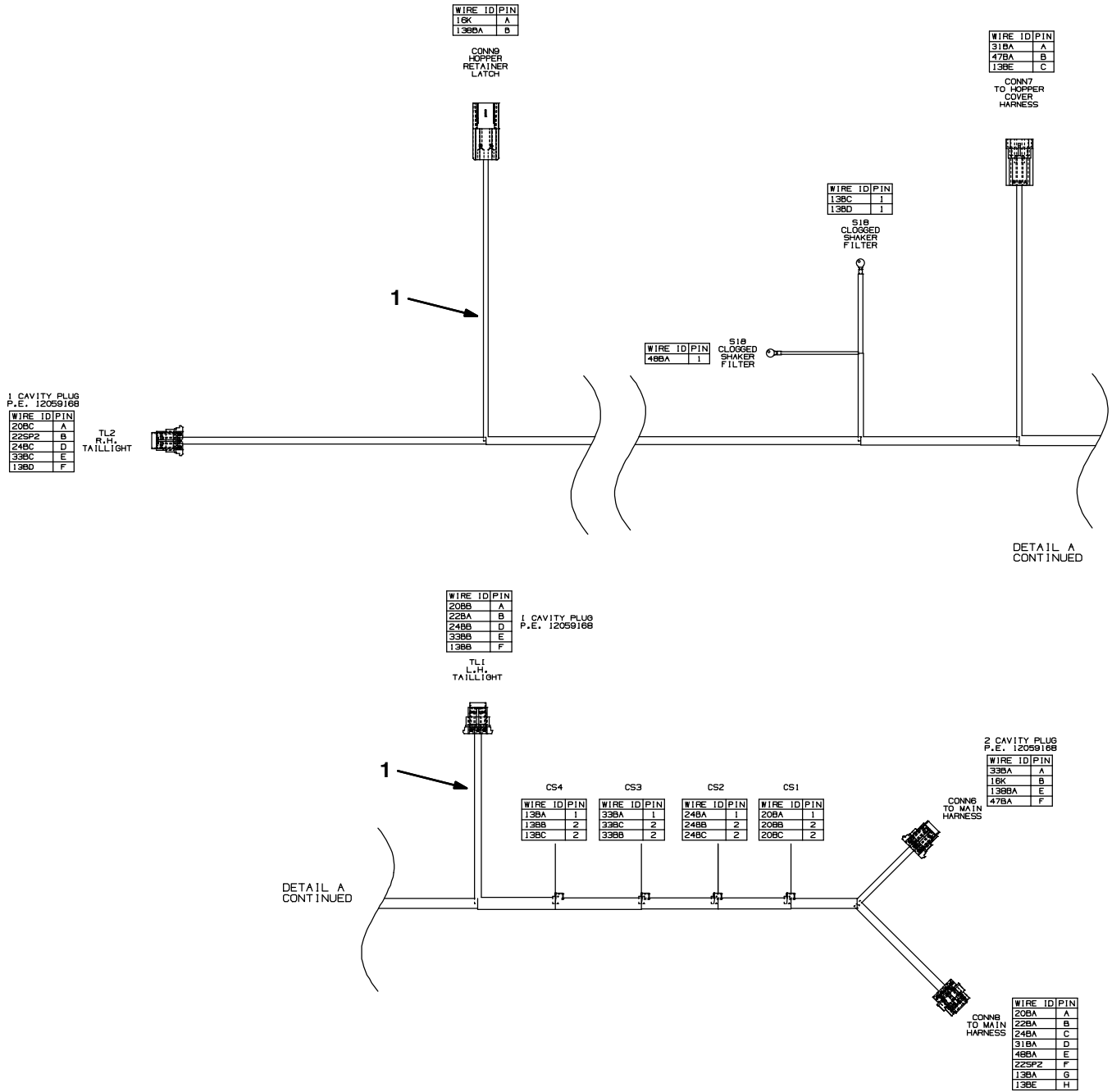


Fig. 100 – Electrical Wire Harness Group, Hopper

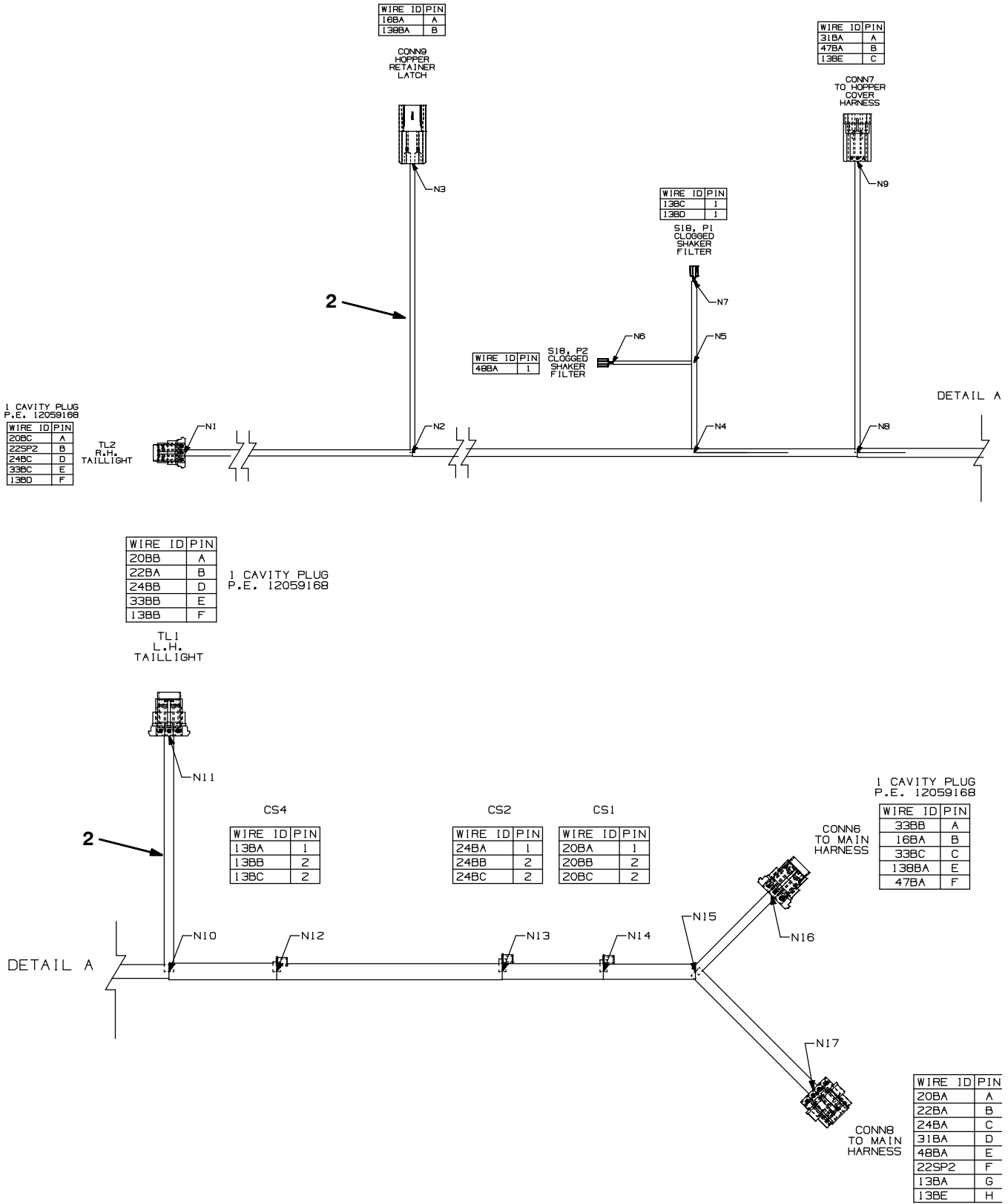
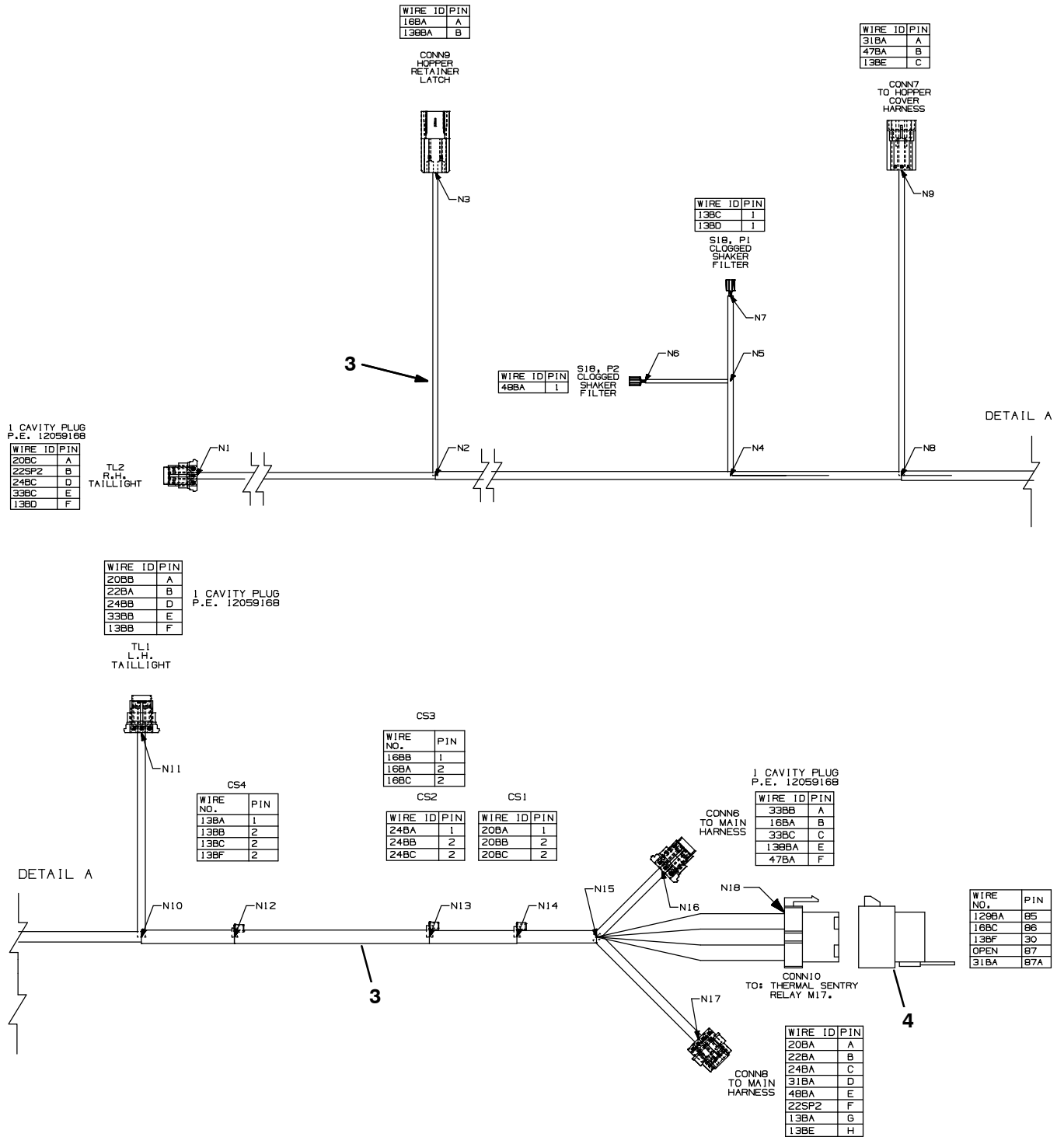


Fig. 100 – Electrical Wire Harness Group, Hopper



356253 – M20, M30

Ref.	Part No.	Serial Number	Description	Qty.
1	1019630	(000000-002273)	Harness, Hppr [M20]	1
2	1033624	(002274-003478)	Harness, Hppr [M20/M30]	1
3	1064371	(003479-)	Harness, Hppr [M20/M30]	1
4	56186	(003479-)	Relay, 12vdc, 040a, Spdt No	1

Fig. 101 – Electrical Wire Harness Group, Hopper Cover

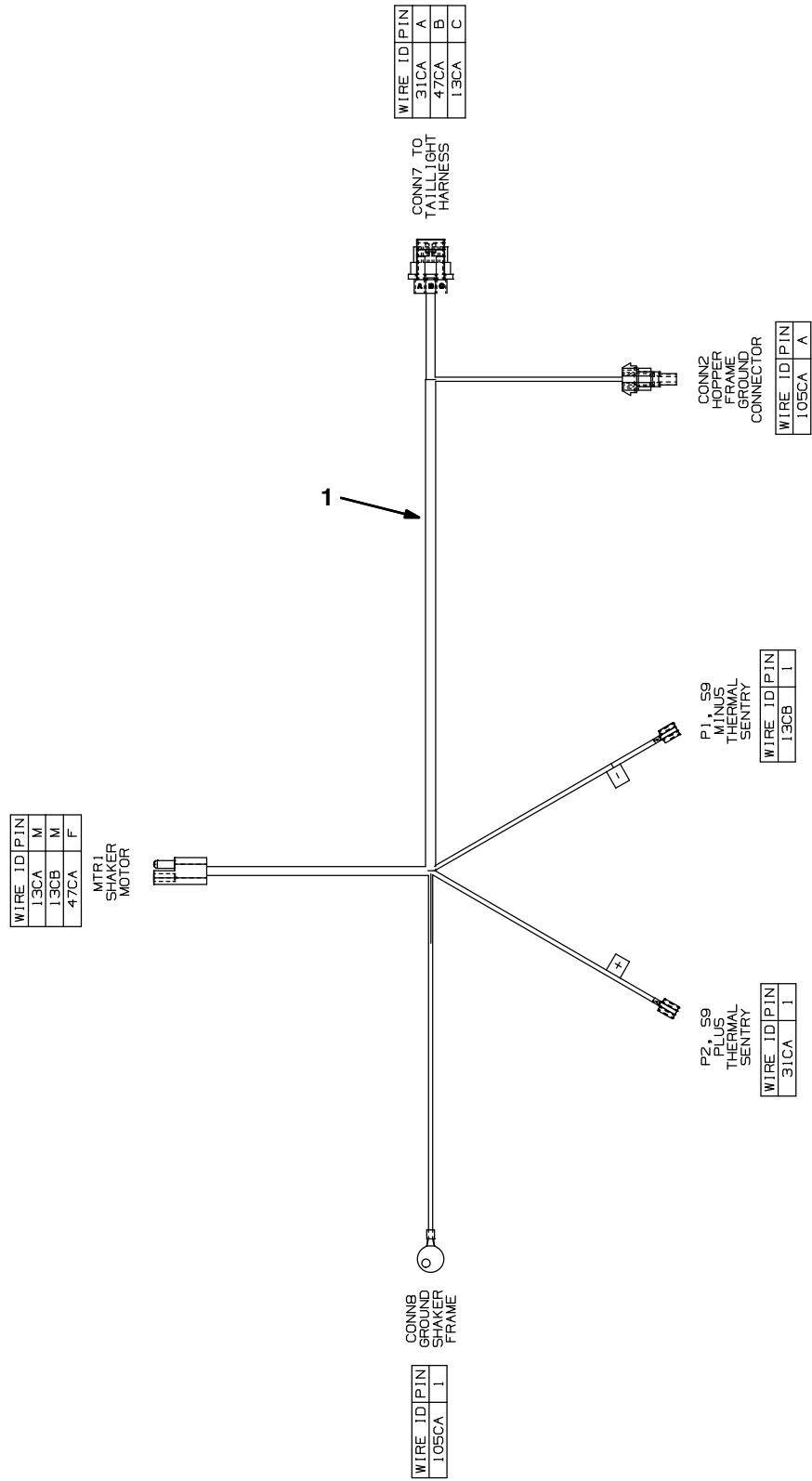
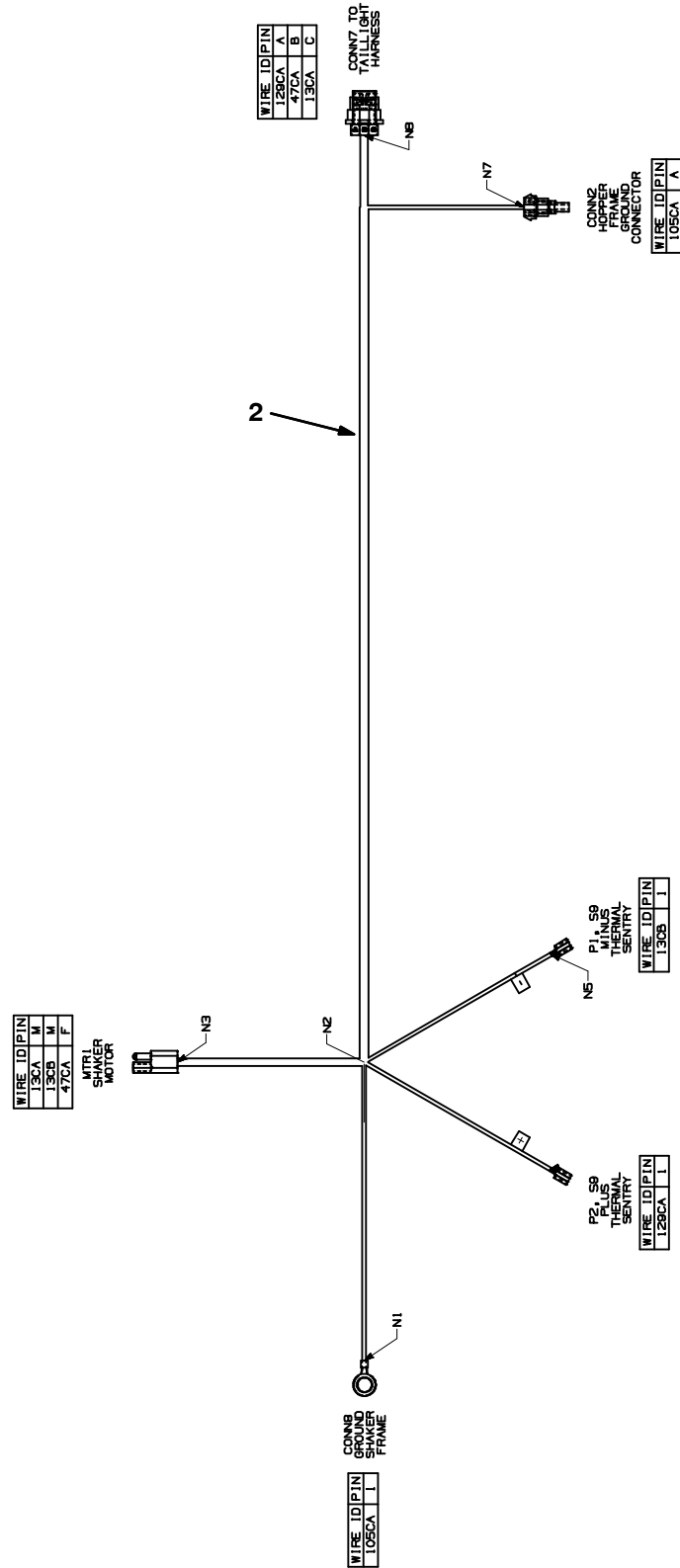


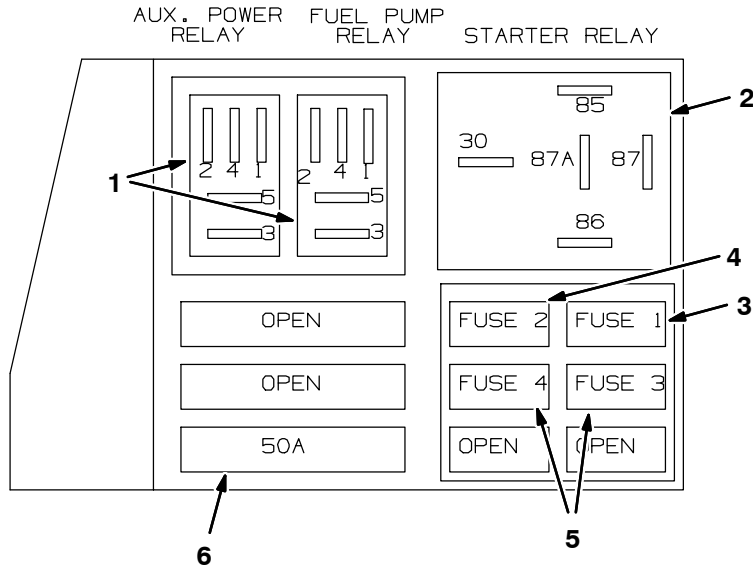
Fig. 101 – Electrical Wire Harness Group, Hopper Cover



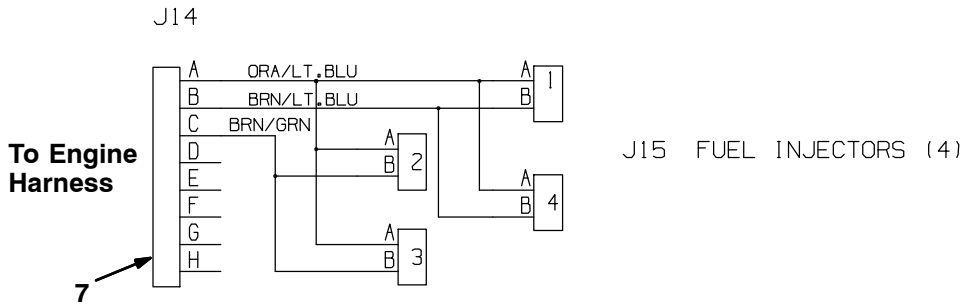
354389-354459

Ref.	Part No.	Serial Number	Description	Qty.
1	1019950	(000000-003478)	Harness, Hppr, Cover [M20]	1
2	1064370	(003479-)	Harness, Hppr, Cover [M20]	1

Fig. 102 – Electrical Wire Harness Group, Gasoline/LPG Engine



GAS INJECTOR AUX. HARNESS: E-CONT.



L.P. DUAL SOL. AUX. HARNESS: E-CONT.

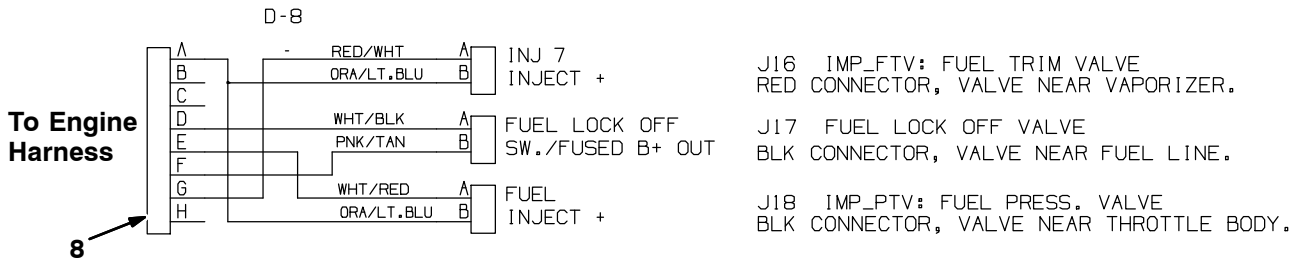


Fig. 102 - Electrical Wire Harness Group, Gasoline/LPG Engine

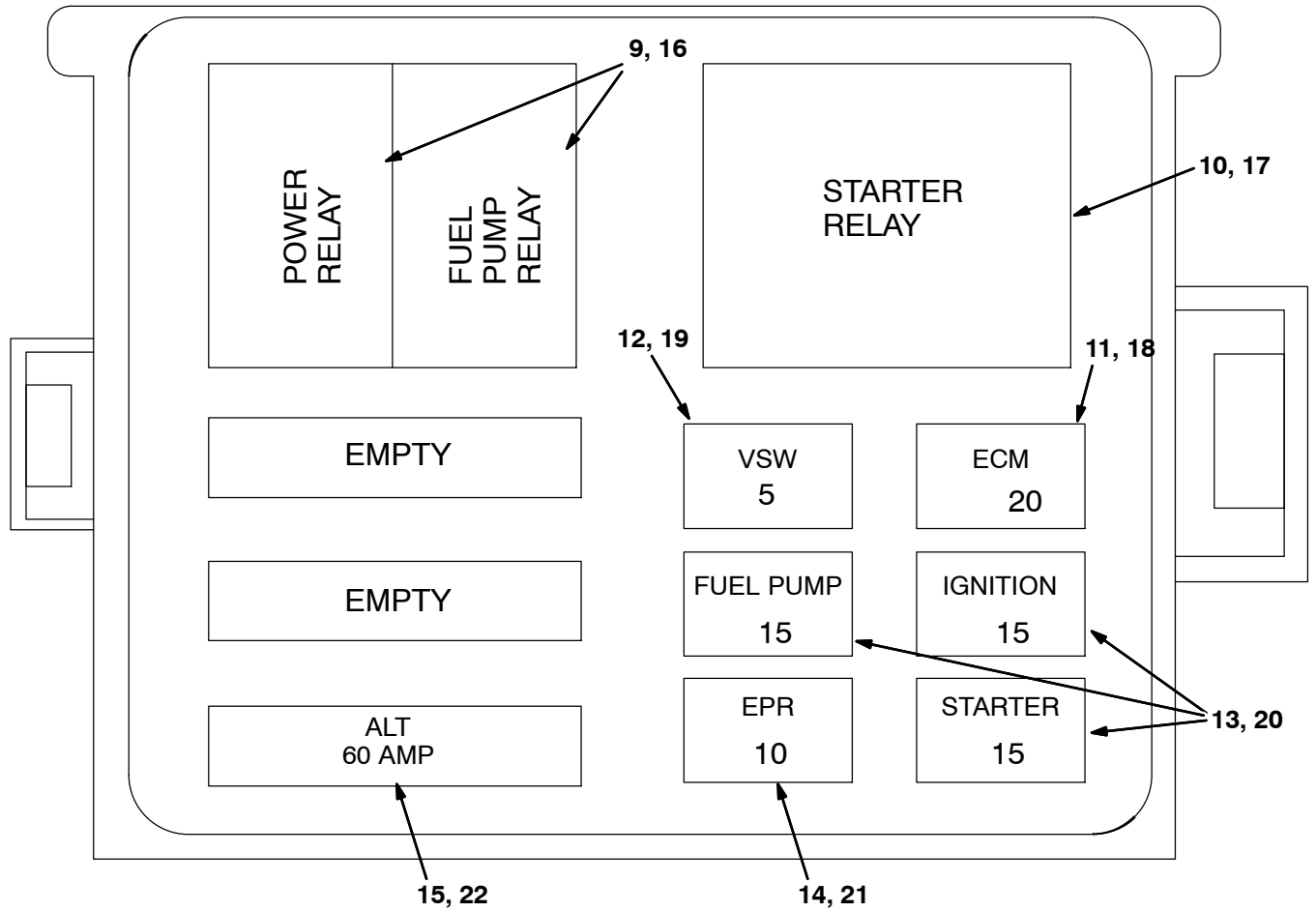
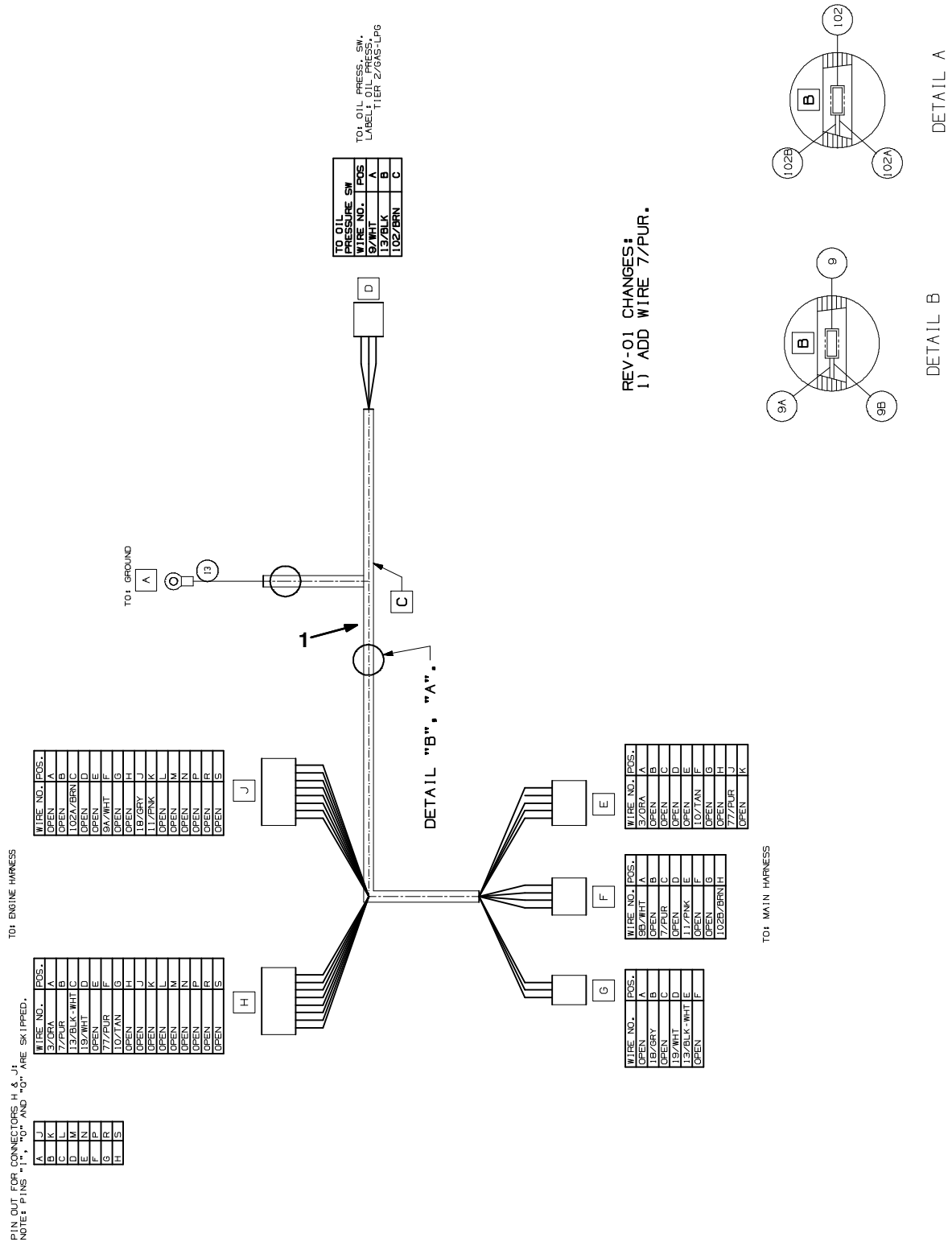


Fig. 102 –Electrical Wire Harness Group, Gasoline/LPG Engine

Ref.	Part No.	Serial Number	Description	Qty.
▽	1011018	(000000-001999)	Harness, Eng [1.6l, Gm, E-cntrl]	1
▲	1 394916	(000000-001999)	Relay, 12vdc, 20a, Spdt	2
▲	2 57804	(000000-001999)	Relay, 12vdc, 40a, Spdt	1
▲	3 372235	(000000-001999)	Fuse, 5 Amp, [Min-5]	1
▲	4 372237	(000000-001999)	Fuse, 20 Amp, [Min-20]	1
▲	5 372236	(000000-001999)	Fuse, 15 Amp, [Min-15]	2
▲	6 394921	(000000-001999)	Fuse, 50amp	1
	7 1011019	(000000-001999)	Harness, Injector, Gas [1.6l,Gm,E-cntrl]	1
	8 1011020	(000000-001999)	Harness, Injector, Lpg [1.6l,Gm,E-cntrl]	1
▽	384997	(002000-003122)	Harness, Wire, Eng, Gas [Gm 1.6L]	1
▲	9 394916	(002000-003122)	Relay, 12vdc, 20a, Spdt	2
▲	10 57804	(002000-003122)	Relay, 12vdc, 40a, Spdt	1
▲	11 372237	(002000-003122)	Fuse, 20 Amp, [Min-20]	1
▲	12 372235	(002000-003122)	Fuse, 5 Amp, [Min-5]	1
▲	13 372236	(002000-003122)	Fuse, 15 Amp, [Min-15]	2
▲	14 384999	(002000-003122)	Fuse, 10 Amp	1
▲	15 384998	(002000-003122)	Fuse, 60 Amp	1
▽	1063457	(003123-005999)	Harness, Wire, Eng, Gas [Gm 1.6L 10]	1
▲	9 394916	(003123-005999)	Relay, 12vdc, 20a, Spdt	2
▲	10 57804	(003123-005999)	Relay, 12vdc, 40a, Spdt	1
▲	11 372237	(003123-005999)	Fuse, 20 Amp, [Min-20]	1
▲	12 372235	(003123-005999)	Fuse, 5 Amp, [Min-5]	1
▲	13 372236	(003123-005999)	Fuse, 15 Amp, [Min-15]	2
▲	14 384999	(003123-005999)	Fuse, 10 Amp	1
▲	15 384998	(003123-005999)	Fuse, 60 Amp	1
▽	384990	(002000-003122)	Harness, Wire, Eng, Lpg [Gm 1.6l]	1
▲	16 394916	(002000-003122)	Relay, 12vdc, 20a, Spdt	2
▲	17 57804	(002000-003122)	Relay, 12vdc, 40a, Spdt	1
▲	18 372237	(002000-003122)	Fuse, 20 Amp, [Min-20]	1
▲	19 372235	(002000-003122)	Fuse, 5 Amp, [Min-5]	1
▲	20 372236	(002000-003122)	Fuse, 15 Amp, [Min-15]	2
▲	21 384999	(002000-003122)	Fuse, 10 Amp	1
▲	22 384998	(002000-003122)	Fuse, 60 Amp	1
▽	1063456	(003123-005999)	Harness, Wire, Eng, Lpg [Gm 1.6L 10]	1
▲	16 394916	(003123-005999)	Relay, 12vdc, 20a, Spdt	2
▲	17 57804	(003123-005999)	Relay, 12vdc, 40a, Spdt	1
▲	18 372237	(003123-005999)	Fuse, 20 Amp, [Min-20]	1
▲	19 372235	(003123-005999)	Fuse, 5 Amp, [Min-5]	1
▲	20 372236	(003123-005999)	Fuse, 15 Amp, [Min-15]	2
▲	21 384999	(003123-005999)	Fuse, 10 Amp	1
▲	22 384998	(003123-005999)	Fuse, 60 Amp	1
	1071653	(006000-)	Harness, Wire, Eng, Gas [Mit, 2.0L]	1
	1071654	(006000-)	Harness, Wire, Eng, Lpg[Mit, 2.0L]	1



Fig. 103 – Electrical Wire Harness Group, Gasoline/LPG Engine Adapter Harness without Telemetry



Ref.	Part No.	Serial Number	Description	Qty.
1	1071642	(002000–)	Harness, Wire, Gas/Lpg [Eng Adapt]	1

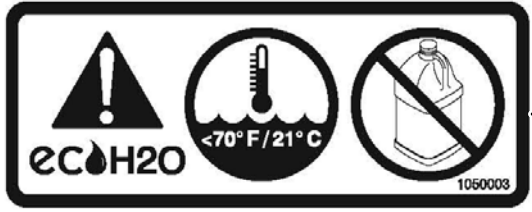
354389–354459

Fig. 104 – Label Group

<p>WARNING</p> <p>Flammable materials can cause explosion or fire. Do not use flammable tank.</p> <p>Not Used</p> <p>Les matériaux inflammables peuvent provoquer des explosions ou incendies. Ne les ramassez pas.</p> <p>ADVERTENCIA</p> <p>Los materiales inflamables pueden provocar explosiones o incendios. No utilice materiales inflamables en el depósito(s).</p>	<p>WARNING AVERTISSEMENT ADVERTENCIA</p> <p>Raised hopper may fall. Engage hopper support pin.</p> <p>En position relevée, le bac à déchets peut retomber. Engagez la broche du support de bac à déchets.</p> <p>La caja colectorá elevada puede caer. Coloque el pasador de apoyo de la caja colectorá.</p>		<p>WARNING AVERTISSEMENT ADVERTENCIA</p> <p>Machine emits toxic gases. Serious injury or death can result. Provide adequate ventilation.</p> <p>La machine produit des gaz toxiques. Cas gaz peuvent provoquer des blessures ou la mort. Veillez à ce que l'endroit soit bien aéré.</p> <p>La máquina emite gases tóxicos. Pueden provocar lesiones graves o fatales. Asegúrese de que existe suficiente ventilación.</p>
	<p>WARNING</p> <p>Flammable materials or reactive metals can cause explosion or fire. Do not pick up.</p> <p>AVERTISSEMENT</p> <p>Les matériaux inflammables ou les métaux réactifs peuvent causer une explosion ou un incendie. Ne les ramassez pas.</p> <p>ADVERTENCIA</p> <p>Los materiales inflamables o metales reactivos pueden causar explosiones o incendios. No los recoja.</p>	<p>WARNING</p> <p>Moving belt and fan. Keep away.</p> <p>AVERTISSEMENT</p> <p>La courroie et le ventilateur sont en mouvement. Ne vous approchez pas.</p> <p>ADVERTENCIA</p> <p>Correa y ventilador en movimiento. Manténgase alejado.</p>	
<p>WARNING AVERTISSEMENT ADVERTENCIA</p> <p>Machine can emit noise. Hearing protection is required.</p> <p>Not Used</p> <p>La machine peut émettre du bruit. L'usage d'un équipement auditif est requis.</p> <p>La máquina puede emitir ruido. Se requiere el uso de protección para los oídos.</p>	<p>FOR SAFETY</p> <p>Read manual before operating machine.</p> <p>POUR VOTRE SECURITE</p> <p>Lisez le manuel avant d'utiliser la machine.</p> <p>PARA SEGURIDAD</p> <p>Lea el manual antes de operar la máquina.</p>	<p>FOR SAFETY</p> 	<p>WARNING</p> <p>Lift arm pinch point. Stay clear of hopper lift arms.</p> <p>AVERTISSEMENT</p> <p>Attention au point d'articulation du bras d'élevage. Ne vous approchez pas des bras d'élevage de la trémie.</p> <p>ADVERTENCIA</p> <p>Punto de pivoteamiento del brazo elevador. No se acerque a los brazos elevadores de la caja colectorá.</p>

1

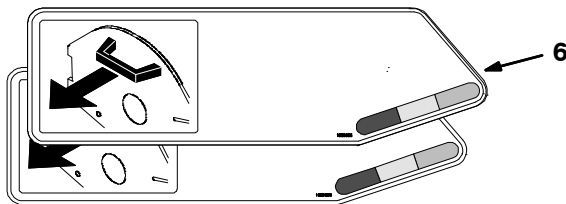
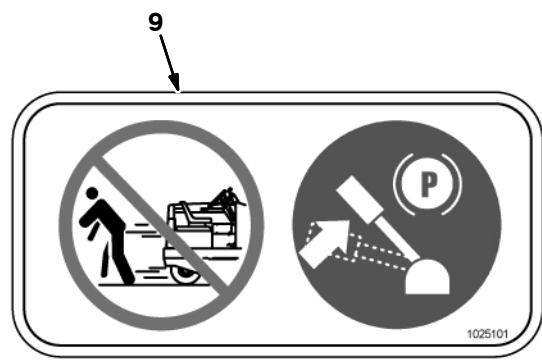
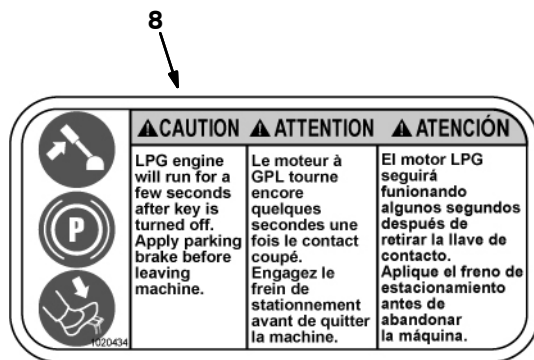
2



	
	<p>WARNING</p> <p>Burn hazard, Hot surface. Do NOT touch.</p> <p>AVERTISSEMENT</p> <p>Risque de brûlures. Surface chaude. Ne pas toucher.</p> <p>ADVERTENCIA</p> <p>Peligro de quemaduras. Superficie caliente. NO tocar.</p>
	<p>注意</p> <p>火傷のおそれあり。表面が熱くなっています。さわらないでください。</p>



Fig. 104 – Label Group



M20 – G/LP

Ref.	Part No.	Serial Number	Description	Qty.
1	77221	(000000–)	Label Set, Info/Hzrd, Swpr / Scrbr	1
2	1017141	(000000–)	Label Set, Hi Temp	1
3	1065343	(000000–)	Label, Logo, 05.75L 2Color [ES]	3
4	1065342	(000000–)	Label, Logo, 07.95L 2Color [FaST]	3
5	1050003	(000000–)	Label [User, Attention, ec-H2O]	2
6	1031017	(000000–)	Label Set, Brush Indicator & Removal	1
7	1032450	(000000–)	Label Set, Info/Hzrd, Swpr / Scrbr, Tj (Japan Only)	1
8	1020434	(000000–)	Label, Caution [Apply Parking Brake]	1
9	1025101	(000000–)	Label, Caution [Apply Parking Brake] (Japan Only)	1
10	1064662	(000000–)	Label, Model, 2Color [M20]	2
11	1062813	(000000–)	Label, Logo, 12.3L 4Color [ec-H2O]	1
12	1064440	(000000–)	Label, Logo, 16.9L 4Color [ec-H2O]	1

SECTION 3

Contents	Page
Fig. 1 – ES Pump Group	3-2
Fig. 2 – ES Tanks Group	3-4
Fig. 3 – Side Brush Motor Group (000000–003076)	3-6
Fig. 4 – Side Brush Motor Group (003077–)	3-8
Fig. 5 – Side Brush Lift Group	3-10
Fig. 6 – Side Brush Solution Control Group	3-12
Fig. 7 – Side Brush Hydraulic Valve Group	3-14
Fig. 8 – Side Brush Hydraulic Hose Group	3-16
Fig. 9 – FaST Solution Pump Group (000000–002532)	3-18
Fig. 10 – FaST Air Pump and Detergent Group (000000–002532)	3-20
Fig. 11 – FaST Foam Filter Group (000000–002532)	3-22
Fig. 12 – FaST Foam Filter Group, Side Brush (000000–002532)	3-24
Fig. 13 – FaST Wire Harness Group (000000–002532)	3-26
Fig. 14 – FaST Pumps and Detergent Group (002533–)	3-28
Fig. 15 – FaST Solution Supply Group (002533–)	3-30
Fig. 16 – FaST Solution Supply Group with Side Brush (002533–)	3-32
Fig. 17 – FaST Wire Harness Group (002533–)	3-34
Fig. 18 – ec–H2O Solution Pump Group	3-36
Fig. 19 – ec–H2O Solution Pump Supply Group	3-38
Fig. 20 – ec–H2O Solution Supply Group	3-40
Fig. 21 – ec–H2O Solution Supply Group with Side Brush	3-42
Fig. 22 – ec–H2O Wire Harnesses Group	3-44
Fig. 23 – Backup Alarm Kit	3-47
Fig. 24 – Light Kit, Flashing	3-48
Fig. 25 – Light Kit, Strobe	3-50
Fig. 26 – Light Kit, Flashing Overhead Guard	3-52
Fig. 27 – Light Kit, Strobe Overhead Guard	3-53
Fig. 28 – Overhead Guard Kit	3-54
Fig. 29 – Telemetry Group	3-56
Fig. 30 – Electrical Wire Harness Group, Gasoline/LPG Engine Adapter Harness with Telemetry	3-58
Fig. 31 – Vacuum Wand Kit (000000–002406)	3-59
Fig. 32 – Vacuum Wand Kit (002407–)	3-60
Fig. 33 – Spray Nozzle Kit	3-62
Fig. 34 – Transport Kit	3-64
Fig. 35 – Squeegee Guard Kit	3-66
Fig. 36 – Engine Radiator Screen Kit (003039–005999)	3-68
Fig. 37 – Fire Extinguisher Kit	3-70
Fig. 38 – Documentation Group	3-71

Fig. 1 - ES Pump Group

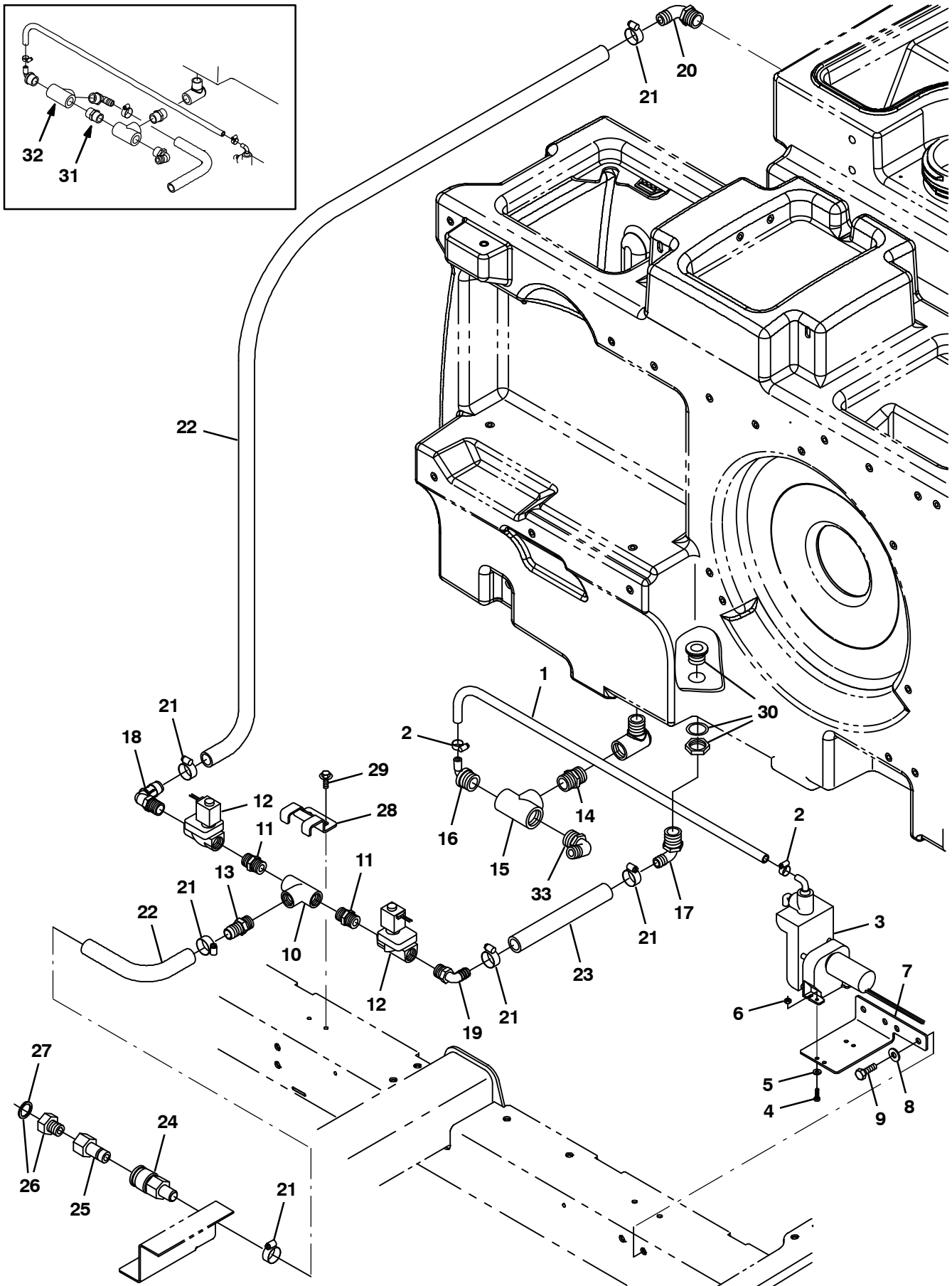


Fig. 1 – ES Pump Group

Ref.	Part No.	Serial Number	Description	Qty.	
1	41295	(000000–) Hose, Pvc, Clr, 0.38id 0.56od 48.00l	1	
2	43844	(000000–) Clamp, Hose, Wormdrive, 0.25–0.62d, .31w	2	
3	73260	(000000–) Pump, Detgt, 14vdc, 150ml/Min 20psi (See Breakdowns)	1	
4	24265	(000000–) Screw, Pan, M4 X 0.7 X 16, Ss	2	
5	01683	(000000–) Washer, Flat, #10, Ss	2	
6	33932	(000000–) Nut, Hex, Lock, M4 X 0.7, NI, Ss	2	
7	1021325	(000000–) Bracket, Mtg, Valve	1	
8	01685	(000000–) Washer, Flat, 0.31, Ss	2	
9	09740	(000000–) Screw, Hex, M8 X 1.25 X 20, Ss	2	
10	79497	(000000–) Fitting, Plstc, Tee, Pf08/Pf08/Pf08	1	
11	86508	(000000–) Fitting, Plstc, Str, Pm08/Pm08	2	
12	73433	(000000–) Valve, Water, Solenoid, 12vdc 0.08pf	2	
13	78398	(000000–) Fitting, Plstc, Str, Bm12/Pm08, Nyl	1	
14	24544	(000000–) Fitting, Plstc, Str, Pm12/Pm12 1.60l	1	
15	42133A	(000000–) Fitting, Plstc, Tee, Pf12/Pf12/Pf12	1	
16	79484	(000000–) Fitting, Plstc, E90, Bm06/Pm12, Nyl	1	
17	73468	(000000–) Fitting, Plstc, E90, Bm10/Pm12	1	
18	63244–2	(000000–) Fitting, Plstc, E90, Bm12/Pm08	1	
19	630371	(000000–) Fitting, Plstc, E90, Bm10/Pm08	1	
20	14877	(000000–) Fitting, Plstc, E90, Bm12/Pm12	1	
21	63810	(000000–) Clamp, Hose, Wormdrive, 0.56–1.06d, .56w	6	
22	1015045	(000000–) Hose, Afmkt, Pvc, Brd 0.75id 08ft	1	
23	369811	(000000–) Hose, Pvc, Brd, 0.62id 0.88od 09.00l	1	
24	24105	(000000–) Fitting, Brs, Qdc, Bm12/Qf08	1	
25	33295	(000000–) Fitting, Brs, Qdc, Pf08 [Parker Bh3f]	1	
▽	26	375322	(000000–) Fitting Kit, Hose, Garden	1
▲	27	01316	(000000–) Washer, Flat, 0.66b 1.00d .12, Rbr	1
	28	1016837	(000000–) Bracket, Mtg, Valve	1
	29	361339	(000000–) Screw, Hex, M6 X 1.0 X 16, Fmg	2
	30	377349	(xxxxxx–) Fitting, Plstc, Pf12/Pf12, Bh	1
	31	24544	(000000–xxxxxx) Fitting, Plstc, Str, Pm12/Pm12 1.60l	1
	32	42133A	(000000–xxxxxx) Fitting, Plstc, Tee, Pf12/Pf12/Pf12	1
	33	14877	(000000–007259) Fitting, Plstc, E90, Bm12/Pm12	1
	33	73468	(007260–) Fitting, Plstc, E90, Bm10/Pm12	1

Fig. 2 - ES Tanks Group

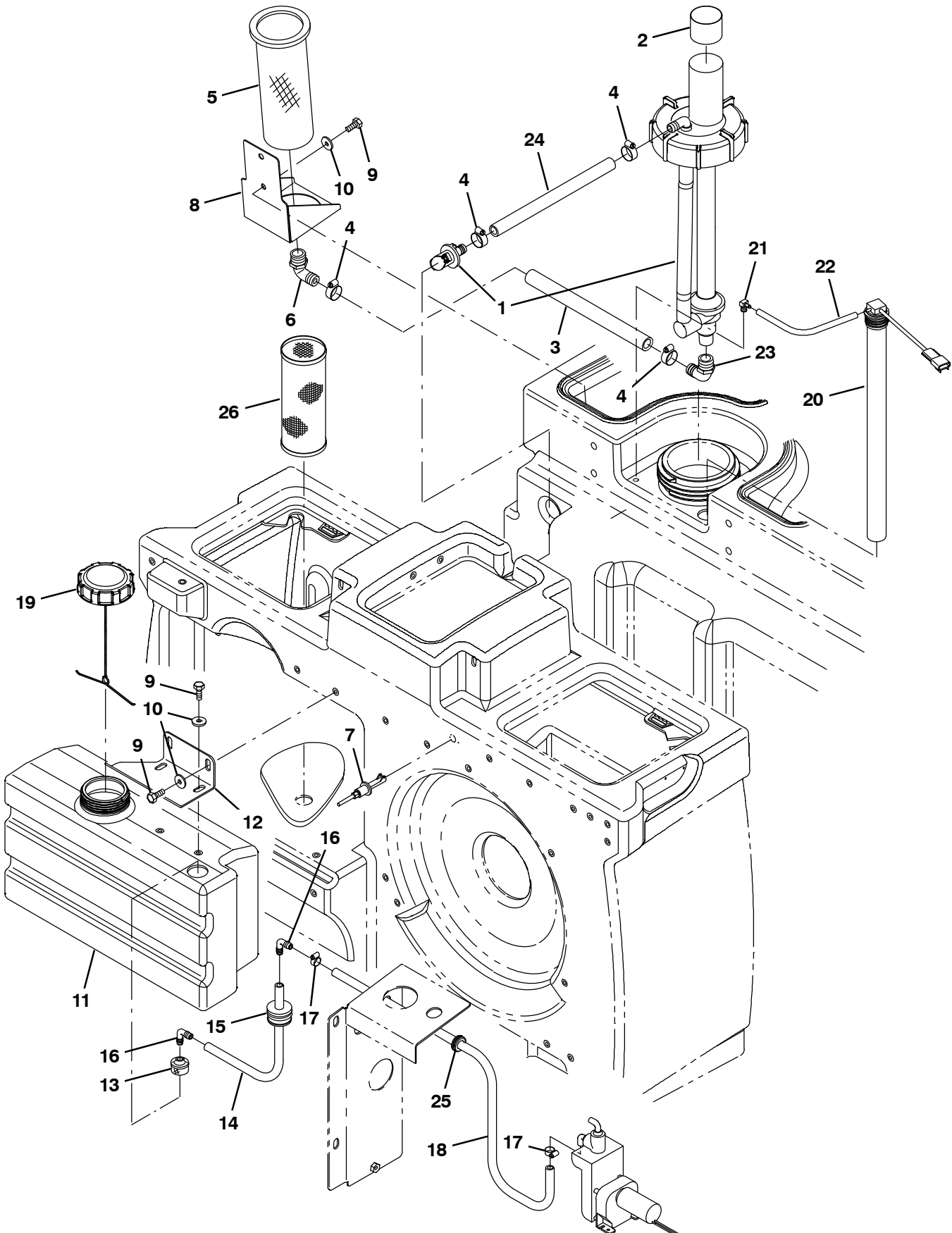


Fig. 2 – ES Tanks Group

Ref.	Part No.	Serial Number	Description	Qty.
1	1021210	(000000–) Pump Assy, Column, Es (See Breakdowns)	1
2	1028697	(000000–) Sleeve, Rbr, 3.50b 3.58d 1.8l	1
3	1015048	(000000–) Hose, Afmkt, Pvc, Brd 0.75id 01ft	1
4	63810	(000000–) Clamp, Hose, Wormdrive, 0.56–1.06d, .56w	4
5	386652	(000000–) Strainer, Soltn, 20 Mesh, Cyl 3.5d 9.5l	1
6	24543	(000000–) Fitting, Plstc, E90, Bm12/Pf12	1
7	385685	(000000–) Sensor, Level, Liq, 14vdc 01a .62–11	1
8	1019636	(000000–) Bracket, Mtg, Strainer	1
9	09740	(000000–) Screw, Hex, M8 X 1.25 X 20, Ss	6
10	1017218	(000000–) Washer, Flat, 0.32b 1.00d .12, Ss	6
11	1022229	(000000–) Tank, Detgt, Trimmed	1
12	1025159	(000000–) Bracket, Mtg, Detgt And Spray Wand	1
13	20952	(000000–) Screen, Pump	1
14	1014974	(000000–) Hose, Afmkt, Pvc, Brd 0.38id 02ft	1
15	20944	(000000–) Grommet, Pye, 0.37id, F/1.5h, .13 Matl	1
16	20951	(000000–) Fitting, Plstc, E90, Bm06/Bm06	2
17	43844	(000000–) Clamp, Hose, Wormdrive, 0.25–0.62d, .31w	2
18	41295	(000000–) Hose, Pvc, Clr, 0.38id 0.56od 48.00l	1
19	1011885	(000000–) Cap, Tank	1
20	1072877	(000000–) Switch Assy, Press, 3.0, 17.5l Tube	1
21	32183	(000000–) Fitting, Brs, E90, Pm02/Bm03	1
22	1031572	(000000–) Hose, Afmkt, Vacuum, 0.16id, 01ft	1
23	14877	(000000–) Fitting, Plstc, E90, Bm12/Pm12	1
24	1015033	(000000–) Hose, Afmkt, Pvc, Brd 0.62ld, 01Ft, Clr	1
25	10632–2	(000000–) Grommet, Rbr, 0.62id, F/0.9h, .12 Matl	1
26	1039019	(000000–) Filter, Soltn, 020mesh, Pm12 3.2d 08.0l	1

Fig. 3 - Side Brush Motor Group (000000-003076)

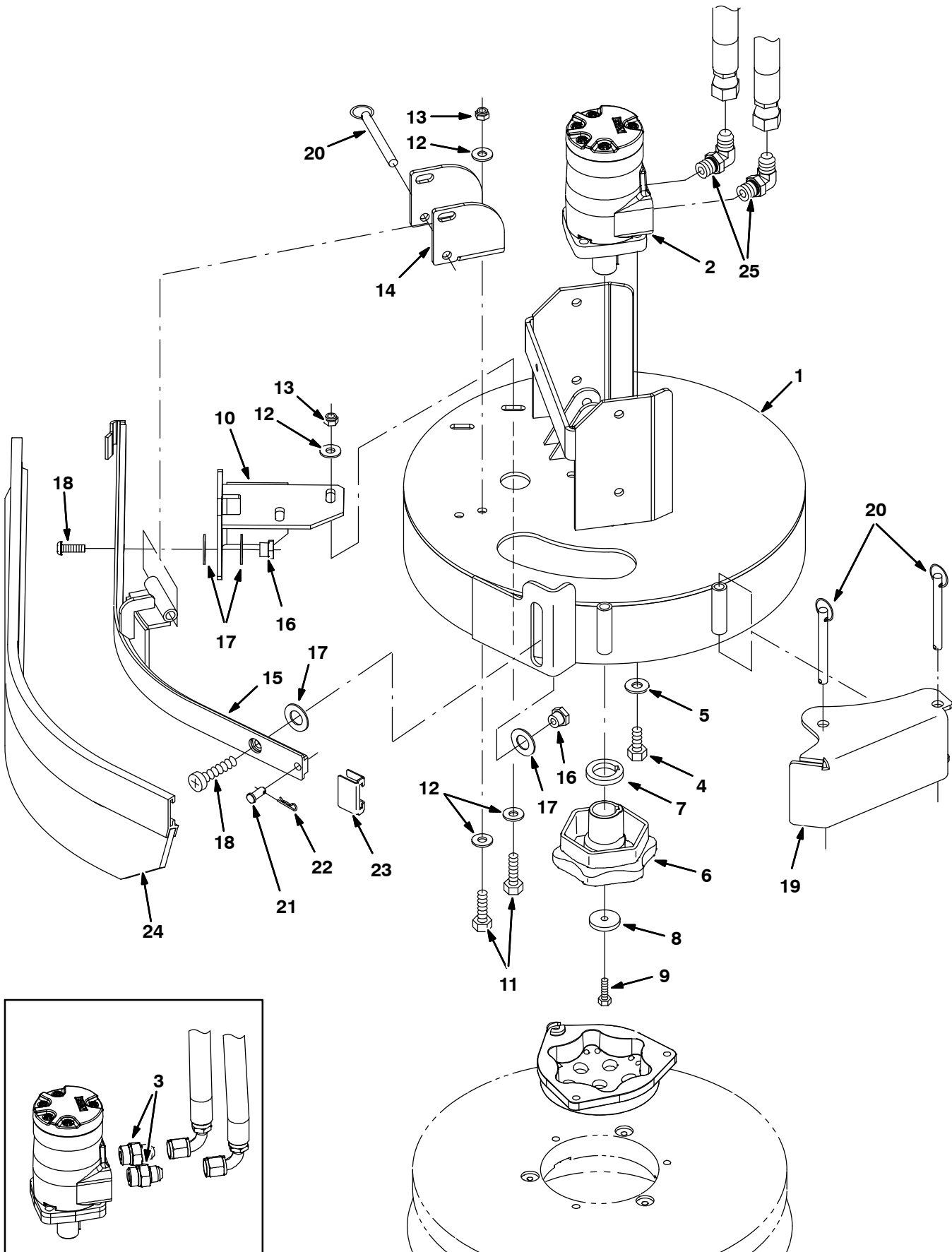


Fig. 3 – Side Brush Motor Group (000000–003076)

Ref.	Part No.	Serial Number	Description	Qty.
1	1021794	(000000–003076)	Bracket Wldt, Mtg, Side Brush	1
2	1029379	(000000–003076)	Motor, Hyd, Gear, Int 08.9 Bi–Dir 2500 (See Breakdowns)	1
3	56692	(000000–001337)	Fitting, Hyd, Str, Jm08/Om10	2
4	01762	(000000–003076)	Screw, Hex, .38–16 X 0.75, NI	4
5	32492	(000000–003076)	Washer, Flat, 0.38 Std	4
6	1042968	(000000–003076)	Hub, Drive, Brush, Disk, 1.00b [6t]	1
7	25611	(000000–003076)	Spacer, Hub, Keyed	1
8	19191	(000000–003076)	Spacer	1
9	25046	(000000–003076)	Screw, Hex, .25–20 X 1.00, 5	1
10	1022135	(000000–003076)	Bracket, Mtg, Sqge	1
11	09010	(000000–003076)	Screw, Hex, M8 X 1.25 X 25, Ss	4
12	01685	(000000–003076)	Washer, Flat, 0.31, Ss	8
13	08713	(000000–003076)	Nut, Hex, Lock, M8 X 1.25, NI, Ss	4
14	1022188	(000000–003076)	Bar, Retainer	1
15	1022111	(000000–003076)	Frame Wldt, Sqge, Side Brush	1
16	1022302	(000000–003076)	Nut, T, M8 X 1.25 X 14.5od X 9.5l	2
17	64425	(000000–003076)	Washer, Thrust, 0.61b 1.25d .06, Fgl	4
18	223470	(000000–003076)	Screw, Btn, M8 X 1.25 X 25, Ss	2
19	1022260	(000000–003076)	Bumper Wldt, Brush, Side	1
20	369359	(000000–003076)	Pin, Hitch, .375d X 3.12l, PI	3
21	46800	(000000–003076)	Pin, Clevis, 0.31d X 0.75l	1
22	08179	(000000–003076)	Pin, Cotter, .094 X 1.00	1
23	86759	(000000–003076)	Retainer, Sqge	1
24	1025005	(000000–003076)	Squeegee Assy, Sba, Linatex	1
24	1027716	(000000–003076)	Squeegee Assy, Sba, Ure	1
25	56821	(001338–003076)	Fitting, Hyd, E90, Jm08/Om10	1

Fig. 4 – Side Brush Motor Group (003077-)

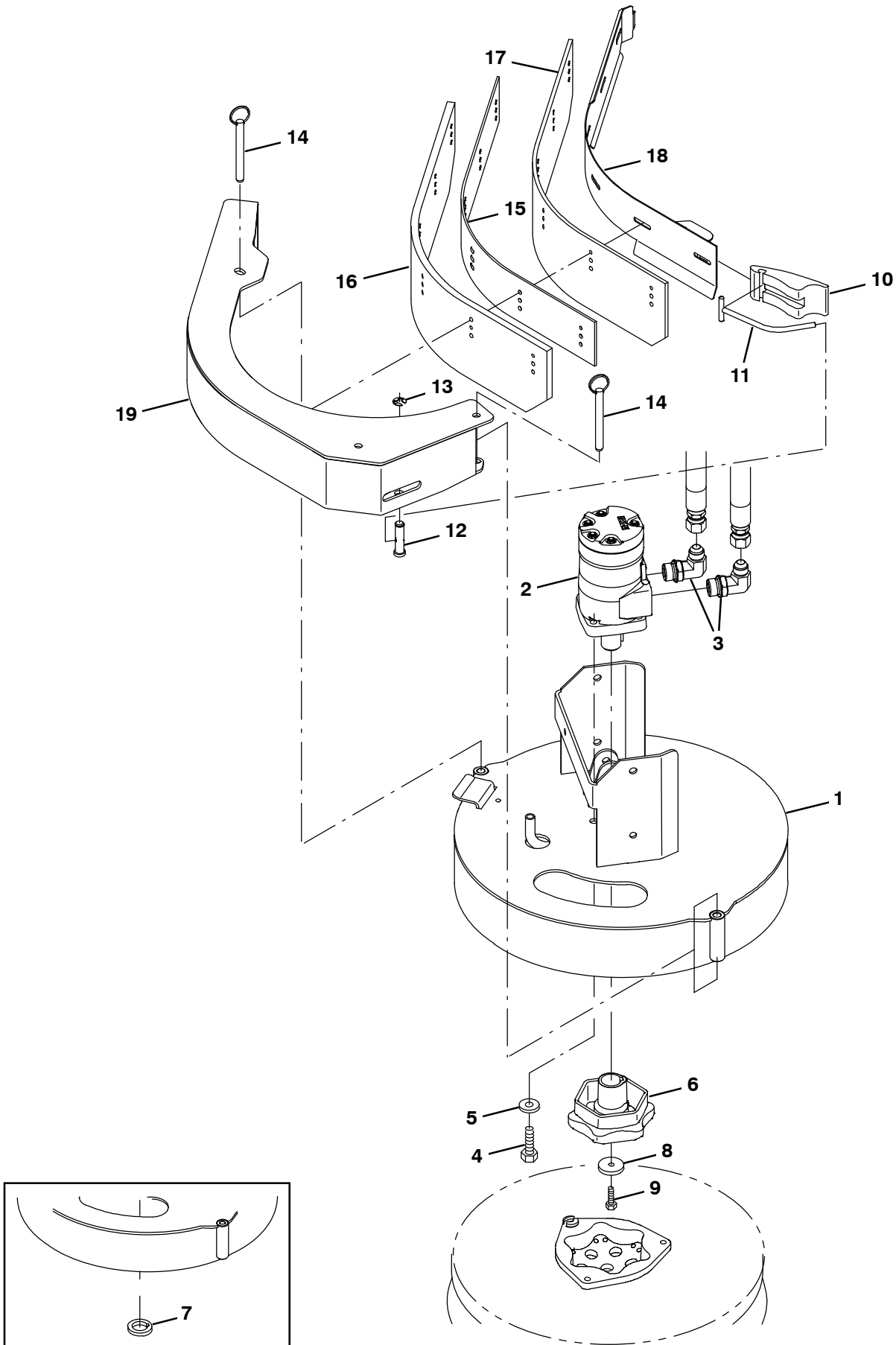


Fig. 4 – Side Brush Motor Group (003077–)

Ref.	Part No.	Serial Number	Description	Qty.	
1	1047002	(003077–)	Bracket Wldt, Mtg, Side Brush Fixed	1	
2	1029379	(003077–004189)	Motor, Hyd, Gear, Int 08.9 Bi-Dir 2500 (See Breakdowns)	1	
▽	2	1068812	(004190–)	Motor, Hyd, Gear, Int 08.9 Bi-Dir 2500	1
▲	22615	(004190–)	Seal Kit, Motor [CI]	1	
3	56821	(003077–)	Fitting, Hyd, E90, Jm08/Om10	2	
4	01762	(003077–)	Screw, Hex, .38–16 X 0.75, NI	4	
5	32492	(003077–)	Washer, Flat, 0.38 Std	4	
6	1042968	(003077–)	Hub, Drive, Brush, Disk, 1.00b [6t]	1	
7	25611	(003077–004189)	Spacer, Hub, Keyed	1	
8	19191	(003077–)	Spacer	1	
9	25046	(003077–)	Screw, Hex, .25–20 X 1.00, 5	1	
10	21601	(003077–)	Cam, Front	1	
11	386298	(003077–)	Pin Wldt, Front	1	
12	21603	(003077–)	Pin, Grvd, 0.43d 01.8l [303ss]	1	
13	24555	(003077–)	Ring, Retaining, Ext, 0.38d, [E-Ring]	1	
14	369359	(003077–)	Pin, Hitch, .375d X 3.12l, PI	2	
15	1046995	(003077–)	Spacer, Sqge, Side Brush, Rbr	1	
16	1046980	(003077–)	Blade, Sqge, Side Brush, Linatex	1	
16	1059091	(003077–)	Blade, Sqge, Side Brush, Urethane	1	
17	1047238	(003077–)	Blade, Sqge, Side Brush, Linatex	1	
17	1059092	(003077–)	Blade, Sqge, Side Brush, Urethane	1	
18	1047060	(003077–)	Plate Wldt, Retainer, Sqge	1	
19	1046976	(003077–)	Bumper Wldt, Brush, Side	1	

Fig. 5 - Side Brush Lift Group

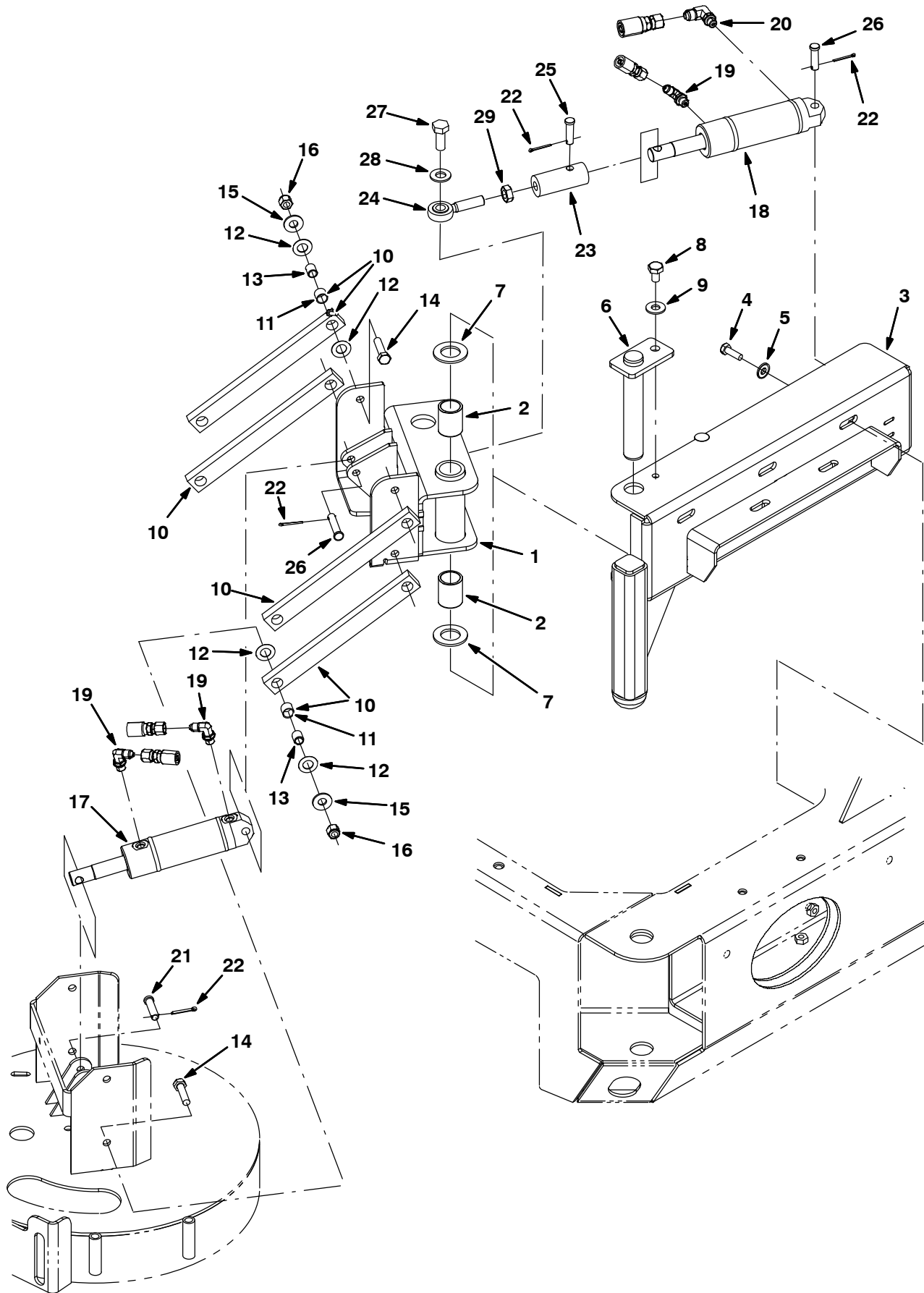


Fig. 5 – Side Brush Lift Group

Ref.	Part No.	Serial Number	Description	Qty.
1	1021439	(000000–) Pivot Wldt, Brush, Side	1
2	71868	(000000–) Bushing, Sleeve, 1.00b 1.13d 1.50l, Fgl	2
3	1021473	(000000–) Channel Wldt, Pivot	1
4	09010	(000000–) Screw, Hex, M8 X 1.25 X 25, Ss	5
5	41186	(000000–) Washer, Flat, Belleville, .31	5
6	1021617	(000000–) Pin Wldt	1
7	71869	(000000–) Washer, Thrust, 1.00b 1.75d 0.13w, Fbr	2
8	16735	(000000–) Screw, Hex, M8 X 1.25 X 16, 8.8	1
9	32491	(000000–) Washer, Flat, 0.31, Std	1
▽	10	63175–1	(000000–) Arm, Link	4
▲	11	63233	(000000–) Bushing, Sleeve, 0.50b 0.59d 0.50l, Bnz	2
	12	59633	(000000–) Bearing, Thrust, 0.53b 1.00d 0.03w	16
	13	1027926	(000000–) Sleeve, P/M, 0.37b 0.50d 0.6l [430ss]	8
	14	36845	(000000–) Screw, Hex, .38–16 X 1.50, Ss	8
	15	01685	(000000–) Washer, Flat, 0.31, Ss	8
	16	59156	(000000–) Nut, Hex, Lock, .38–16, Ni, Ss	8
	17	1038137	(000000–) Cylinder, Hyd, 1.5b 07.8l 02.80strk 2500	1
	18	1038115	(000000–) Cylinder, Hyd, 1.5b 07.8l 02.75strk 2500	1
	19	77097	(000000–) Fitting, Hyd, E90, Jm04/Om04	3
	20	77098	(000000–) Fitting, Hyd, E90, Jm06/Om04	1
	21	29558	(000000–) Pin, Clevis, 0.37d X 1.50l	1
	22	08179	(000000–) Pin, Cotter, .094 X 1.00	4
	23	1021564	(000000–) Adapter, Rod–End, Side Brush	1
	24	71874	(000000–) Rod–End, .50–20rh Mal 0.50b	1
	25	29557	(000000–) Pin, Clevis, 0.37d X 1.31l	1
	26	17461	(000000–) Pin, Clevis, 0.37d X 1.75l	2
	27	41346	(000000–) Screw, Hex, M12 X 1.75 X 30, 8.8	1
	28	32486	(000000–) Washer, Flat, 0.50 Sae	1
	29	48985	(000000–) Nut, Hex, Jam, .50–20	1

Fig. 6 – Side Brush Solution Control Group

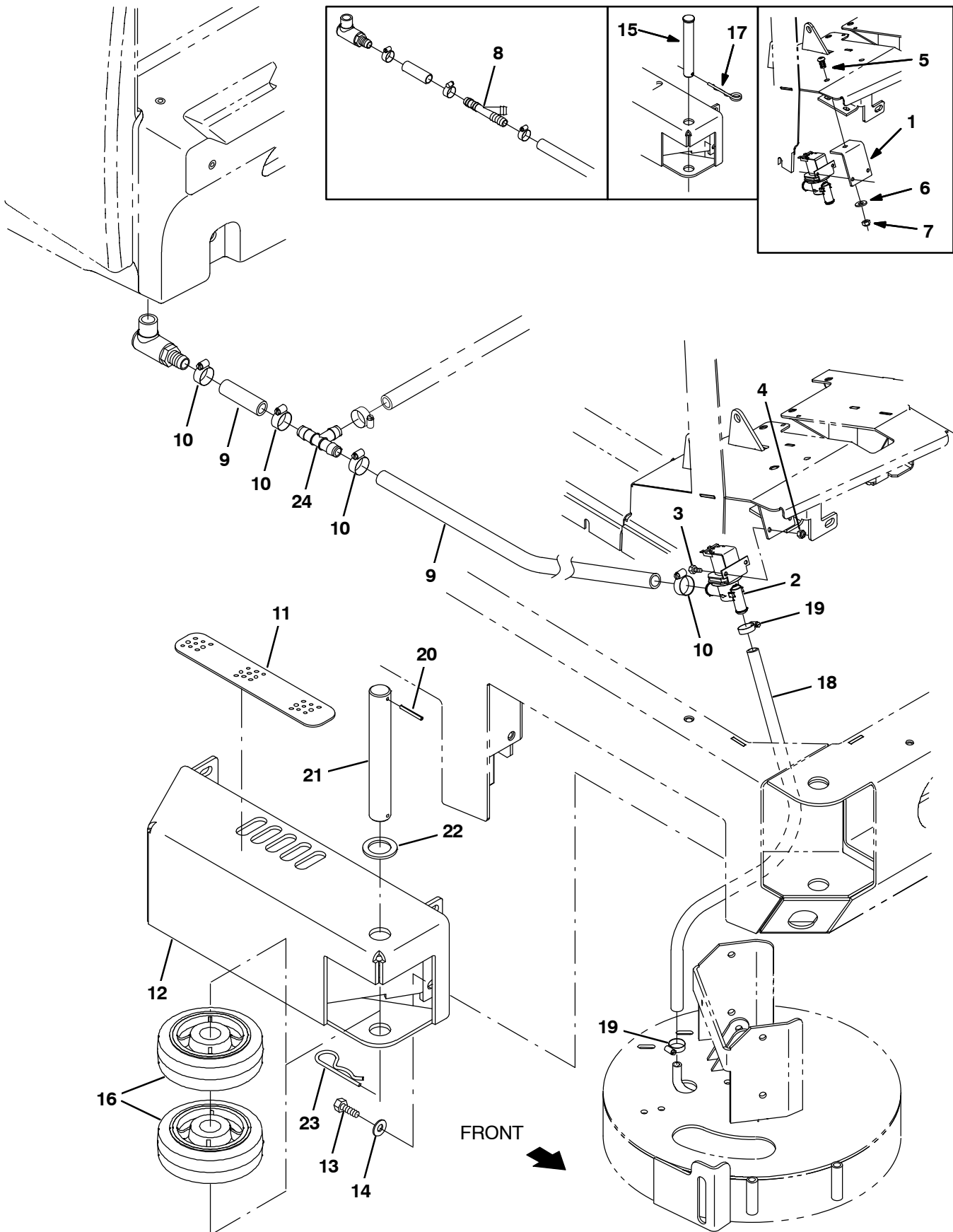


Fig. 6 – Side Brush Solution Control Group

Ref.	Part No.	Serial Number	Description	Qty.
1	1040834	(000000-002241)	Angle, Mtg, Valve	1
2	1022106	(000000-)	Valve Assy, Water, Solenoid, 12vdc	1
3	09738	(000000-)	Screw, Hex, M5 X 0.8 X 12, Ss	2
4	09739	(000000-)	Nut, Hex, Lock, M5 X 0.8, NI, Ss	2
5	17284	(000000-002241)	Screw, Btn, M8 X 1.25 X 16, Ss	1
6	32491	(000000-002241)	Washer, Flat, 0.31, Std	1
7	08713	(000000-002241)	Nut, Hex, Lock, M8 X 1.25, NI, Ss	1
8	393255	(000000-007259)	Fitting, Plstc, Tee, Bm12/Bm12/Bm12	1
9	1015045	(000000-007259)	Hose, Afmkt, Pvc, Brd 0.75id 08ft	1
9	1015032	(007260-)	Hose, Afmkt, Pvc, Brd 0.62id 08ft	1
10	63810	(000000-)	Clamp, Hose, Wormdrive, 0.56-1.06d, .56w	4
11	82839	(000000-)	Tread, Non-Skid, 02.2w 11.5l	1
12	1022318	(000000-)	Guard Wldt, Brush, Side	1
13	12317	(000000-)	Screw, Hex, M10 X 1.5 X 30, Ss	4
14	01686	(000000-)	Washer, Flat, 0.44b 1.00d .08, Ss	4
15	9006334	(000000-003062)	Pin Kit, Wheel, Ci [M20/T20/M30]	1
16	1060130	(000000-)	Wheel, 06.0D 2.00W 1.19B, Gray Rbr	2
17	761490	(000000-003062)	Pin, Cotter, Hair, Dbl	1
18	50178	(000000-)	Hose, Pvc, Clr, 0.50id 0.69od 26.00l	1
19	54333	(000000-)	Clamp, Hose, Wormdrive, 0.31-0.88d, .31w	2
20	23146	(003063-)	Pin, Roll, .187d X 1.62l, .187/.192	1
21	1053838	(003063-)	Pin, 30mmd X 215mml	1
22	47719	(003063-)	Washer, Flat, 1.26b 1.88d .13, Stl	1
23	34411	(003063-)	Pin, Cotter, Hair, 1.00d .178 Wir	1
24	1062116	(007260-)	Fitting, Plstc, Tee, Bm10/Bm10/Bm10, Nyl	1

Fig. 7 – Side Brush Hydraulic Valve Group

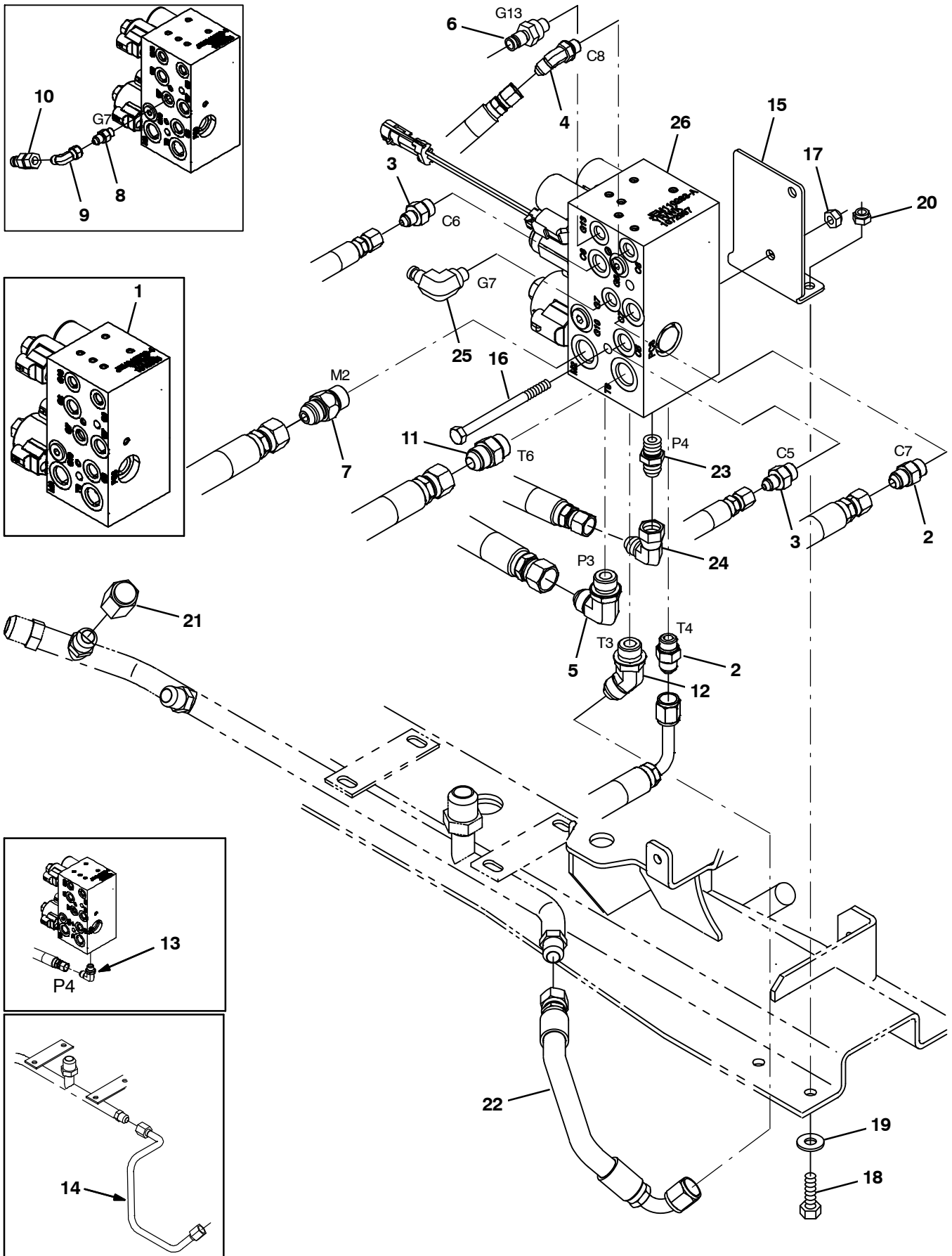


Fig. 7 – Side Brush Hydraulic Valve Group

Ref.	Part No.	Serial Number	Description	Qty.
1	1018938	(000000-002015)	Valve, Cntrl, Hyd [M20 And T20] (See Breakdowns)	1
1	1037805	(002016-006286)	Valve, Hyd, Solenoid 12vdc 3000psi (See Breakdowns)	1
2	56690	(000000-)	Fitting, Hyd, Str, Jm06/Om06	2
3	55685	(000000-)	Fitting, Hyd, Str, Jm04/Om06	2
4	34359	(000000-)	Fitting, Hyd, E45, Jm04/Om04	1
5	44868	(000000-)	Fitting, Hyd, E90, Jm08/Om08	1
6	395973	(000000-)	Fitting, Hyd, Str, Om04/Qm04	1
7	1026119	(000000-)	Valve, Hyd, Check, Jm08/Om08 5000psi	1
8	55586	(000000-002951)	Fitting, Hyd, Str, Jm04/Om04	1
9	39210	(000000-002951)	Fitting, Hyd, E90, Jf04/Jm04	1
10	396476	(000000-002951)	Fitting, Hyd, Str, Jf04/Qm04	1
11	44869	(000000-)	Fitting, Hyd, Str, Jm08/Om08	1
12	42226	(000000-)	Fitting, Hyd, E45, Jm08/Om08	1
13	56820	(000000-002015)	Fitting, Hyd, E90, Jm06/Om06	1
14	1025405	(000000-001357)	Tube, Hyd, 08 Jf08/Jf08	1
15	1045272	(000000-)	Bracket, Valve, Sba [M20 And T20]	1
16	364441	(000000-)	Screw, Hex, M8 X 1.25 X 110, Ss	2
17	08709	(000000-)	Nut, Hex, Lock, M8 X 1.25, NI	2
18	09010	(000000-)	Screw, Hex, M8 X 1.25 X 25, Ss	2
19	32491	(000000-)	Washer, Flat, 0.31, Std	2
20	08713	(000000-)	Nut, Hex, Lock, M8 X 1.25, NI, Ss	2
21	60090	(000000-)	Fitting, Hyd, Cap, Jf08	1
22	1037011	(001358-)	Hose, Hyd, Tc08, Jf08str/Jf08e90, 012.0	1
23	56690	(002016-)	Fitting, Hyd, Str, Jm06/Om06	1
24	47504	(002016-)	Fitting, Hyd, E90, Jf06/Jm06	1
25	395974	(002952-)	Fitting, Hyd, E90, Om04/Qm04	1
26	1072997	(006287-)	Valve, Cntrl, Hyd, Solenoid, 03/16gpm (See Breakdowns)	1

Fig. 8 – Side Brush Hydraulic Hose Group

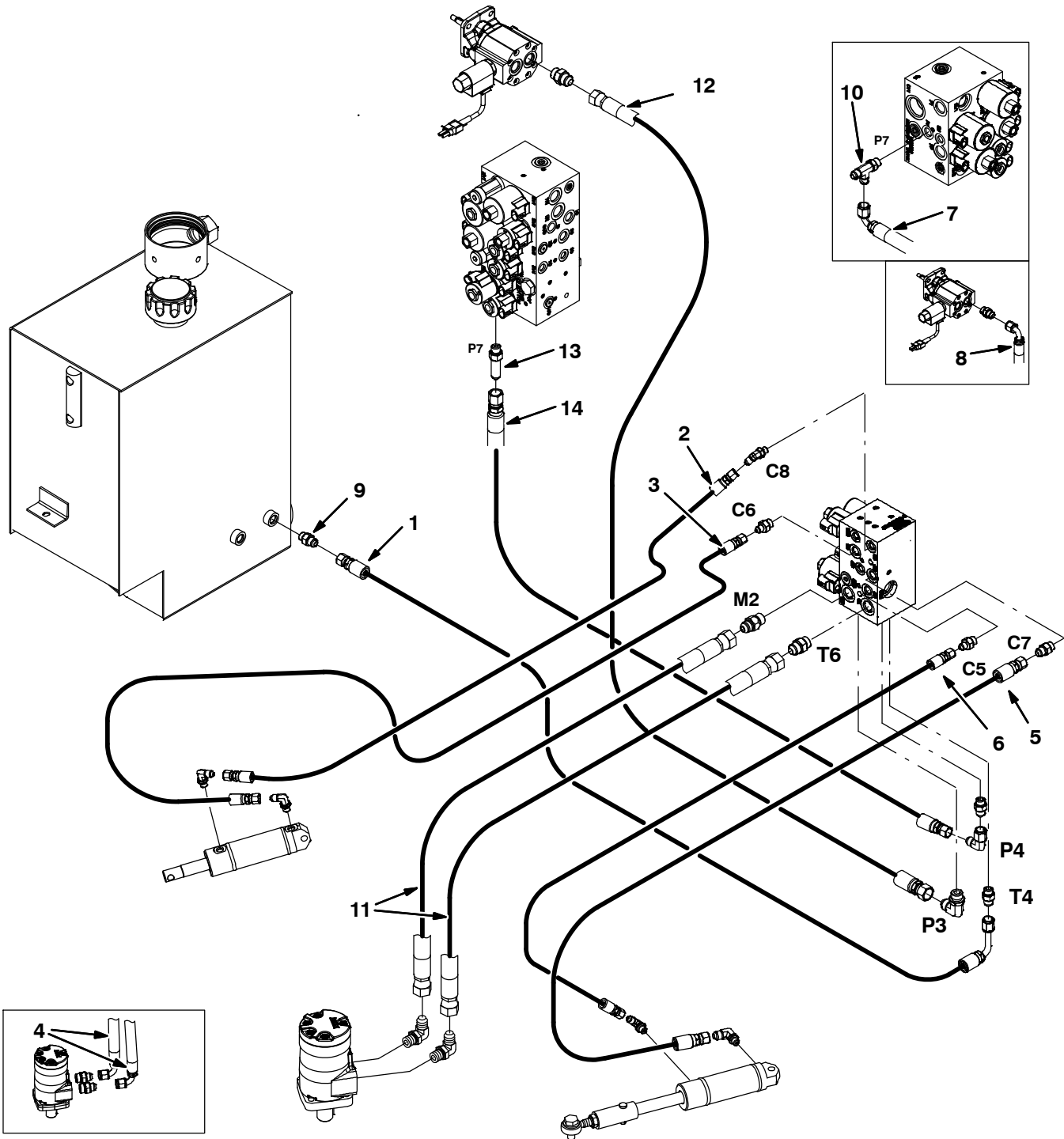


Fig. 8 – Side Brush Hydraulic Hose Group

Ref.	Part No.	Serial Number	Description	Qty.
1	361047	(000000–)	Hose, Hyd, Med06, Jf06e90l/Jf06str,038.0	1
2	1023485	(000000–)	Hose, Hyd, Tc06, Jf06str/Jf06str, 033.0	1
3	1025990	(000000–)	Hose, Hyd, Tc04, Jf04str /Jf04str, 39.0	1
4	1023486	(000000–001337)	Hose, Hyd, Tc08, Jf08e90/Jf08str, 034.0	2
5	1025991	(000000–)	Hose, Hyd, Tc06, Jf06str /Jf06str, 23.0	1
6	1025992	(000000–)	Hose, Hyd, Tc04, Jf04str /Jf04str, 20.0	1
7	1025445	(000000–002699)	Hose, Hyd, Tc06, Jf06str /Jf06e90, 74.0	1
8	365004	(000000–001337)	Hose, Hyd, Tc08, Jf08e90/Jf08str, 056.0	1
9	56690	(000000–)	Fitting, Hyd, Str, Jm06/Om06	1
10	76316	(000000–002699)	Fitting, Hyd, Tee, Jm06/Jm06/Om06, Run	1
11	1036965	(001338–)	Hose, Hyd, Tc08, Jf08str/Jf08str, 034.0	1
12	1036944	(001338–005999)	Hose, Hyd, Tc08, Jf08str/Jf08str, 056.0	1
12	1036946	(006000–)	Hose, Hyd, Tc08, Jf08str/Jf08str, 084.0	1
13	59577	(002700–)	Fitting, Hyd, Str, Jm06/Om06, Long	1
14	377236	(002700–005999)	Hose, Hyd, Tc06, Jf06Str/Jf06Str, 062.0	1
14	1041389	(006000–)	Hose, Hyd, Tc06, Jf06str/Jf06str, 086.0	1

Fig. 9 – FaST Solution Pump Group (000000–002532)

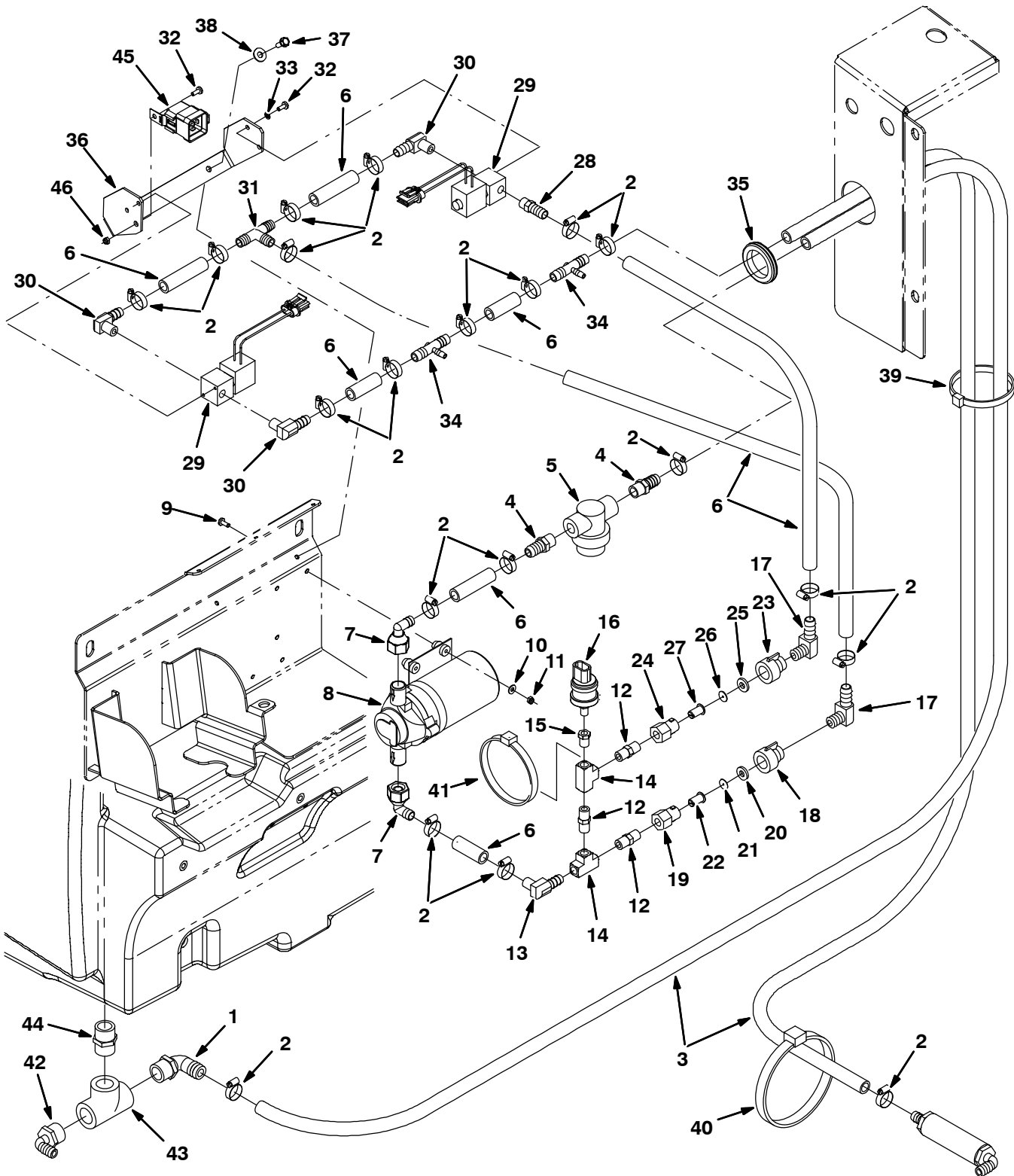


Fig. 9 – FaST Solution Pump Group (000000–002532)

Ref.	Part No.	Serial Number	Description	Qty.	
1	1005552	(000000–002532)	Fitting, Plstc, E90, Bm08/Pm12, Nyl	1	
2	54333	(000000–002532)	Clamp, Hose, Wormdrive, 0.31–0.88d, .31w	1	
3	1011412	(000000–002532)	Hose, Afmkt, Pvc, Brd 0.50id 08ft	1	
4	64743	(000000–002532)	Fitting, Plstc, Str, Bm08/Pm06	2	
5	1005302	(000000–002532)	Filter, In-Line, Pf06/Pf06, 80 Mesh	1	
6	1006401	(000000–002532)	Hose, Afmkt, Pvc, Brd 0.50id 03ft	1	
7	1018499	(000000–002532)	Fitting, Plstc, E90, Bm08/Pf08s, Swivel	2	
8	1030878	(000000–002532)	Pump, Soltn, Ele, 12vdc [W/O Chk Valve]	1	
9	17185	(000000–002532)	Screw, Pan, M5 X 0.8 X 40, Ss	4	
10	01683	(000000–002532)	Washer, Flat, #10, Ss	4	
11	09739	(000000–002532)	Nut, Hex, Lock, M5 X 0.8, NI, Ss	4	
12	398468	(000000–002532)	Fitting, Brs, Str, Pm04/Pm04	3	
13	1010836	(000000–002532)	Fitting, Brs, E90, Bm08/Pm04	1	
14	398474	(000000–002532)	Fitting, Brs, Tee, Pf04/Pf04/Pf04	2	
15	150100	(000000–002532)	Fitting, Brs, Str, Pf02/Pm04	1	
16	1028582	(000000–002532)	Switch, Press, 10psi, Spst	1	
17	1010836	(000000–002532)	Fitting, Brs, E90, Bm08/Pm04	2	
▽	1030864	(000000–002532)	Fitting Assy, Orifice, 0.070b, Pf04/Pf04	1	
▲	18	1005506	(000000–002532)	Fitting, Plstc, Cap, Spray, Pf04	1
▲	19	1005507	(000000–002532)	Fitting, Plstc, Body, Spray, Pf04	1
▲	20	1005508	(000000–002532)	Washer, Flat, 0.34b 0.75d .12 [Viton]	1
▲	21	1018883	(000000–002532)	Plate, Orifice, 0.070id	1
▲	22	1006447	(000000–002532)	Filter, Screen, 50 Mesh .59d .8l Ss	1
▽	1030863	(000000–002532)	Fitting Assy, Orifice, 0.093b, Pf04/Pf04	1	
▲	23	1005506	(000000–002532)	Fitting, Plstc, Cap, Spray, Pf04	1
▲	24	1005507	(000000–002532)	Fitting, Plstc, Body, Spray, Pf04	1
▲	25	1005508	(000000–002532)	Washer, Flat, 0.34b 0.75d .12 [Viton]	1
▲	26	1018884	(000000–002532)	Plate, Orifice, 0.093id	1
▲	27	1006447	(000000–002532)	Filter, Screen, 50 Mesh .59d .8l Ss	1
28	762249	(000000–002532)	Fitting, Brs, Str, Bm08/Pm04	1	
29	1018098	(000000–002532)	Valve, Water, 12vdc, 6.0mm, 04pf	2	
30	1010836	(000000–002532)	Fitting, Brs, E90, Bm08/Pm04	3	
31	63245–1	(000000–002532)	Fitting, Plstc, Tee, Bm08/Bm08/Bm08	1	
32	09200	(000000–002532)	Screw, Pan, M5 X 0.8 X 12, Ss	5	
33	07514	(000000–002532)	Washer, Lock, Int, #10, Ss	4	
34	1010684	(000000–002532)	Fitting, Plstc, Tee, Bm04/Bm08/Bm08, Br	2	
35	10632–19	(000000–002532)	Grommet, Rbr, 2.13id, F/2.5h, .12 Matl	1	
36	1026074	(000000–002532)	Plate, Hsng [FaST]	1	
37	361339	(000000–002532)	Screw, Hex, M6 X 1.0 X 16, Fmg	4	
38	32490	(000000–002532)	Washer, Flat, 0.25 Std	4	
39	49266	(000000–002532)	Tie, Cable, Nyl, 07.3l .19w 1.8 Max D	1	
40	763116	(000000–002532)	Tie, Cable, Nyl, 15.3l . W 4.5 Max D	1	
41	763114	(000000–002532)	Tie, Cable, 11.3l, 2.75d Max	1	
42	14877	(000000–002532)	Fitting, Plstc, E90, Bm12/Pm12	1	
43	42133A	(000000–002532)	Fitting, Plstc, Tee, Pf12/Pf12/Pf12	1	
44	24544	(000000–002532)	Fitting, Plstc, Str, Pm12/Pm12 1.60l	1	
45	56186	(000000–002532)	Relay, 12vdc, 40a, Spdt N/O	1	
46	09739	(000000–002532)	Nut, Hex, Lock, M5 X 0.8, NI, Ss	1	

Fig. 10 – FaST Air Pump and Detergent Group (000000-002532)

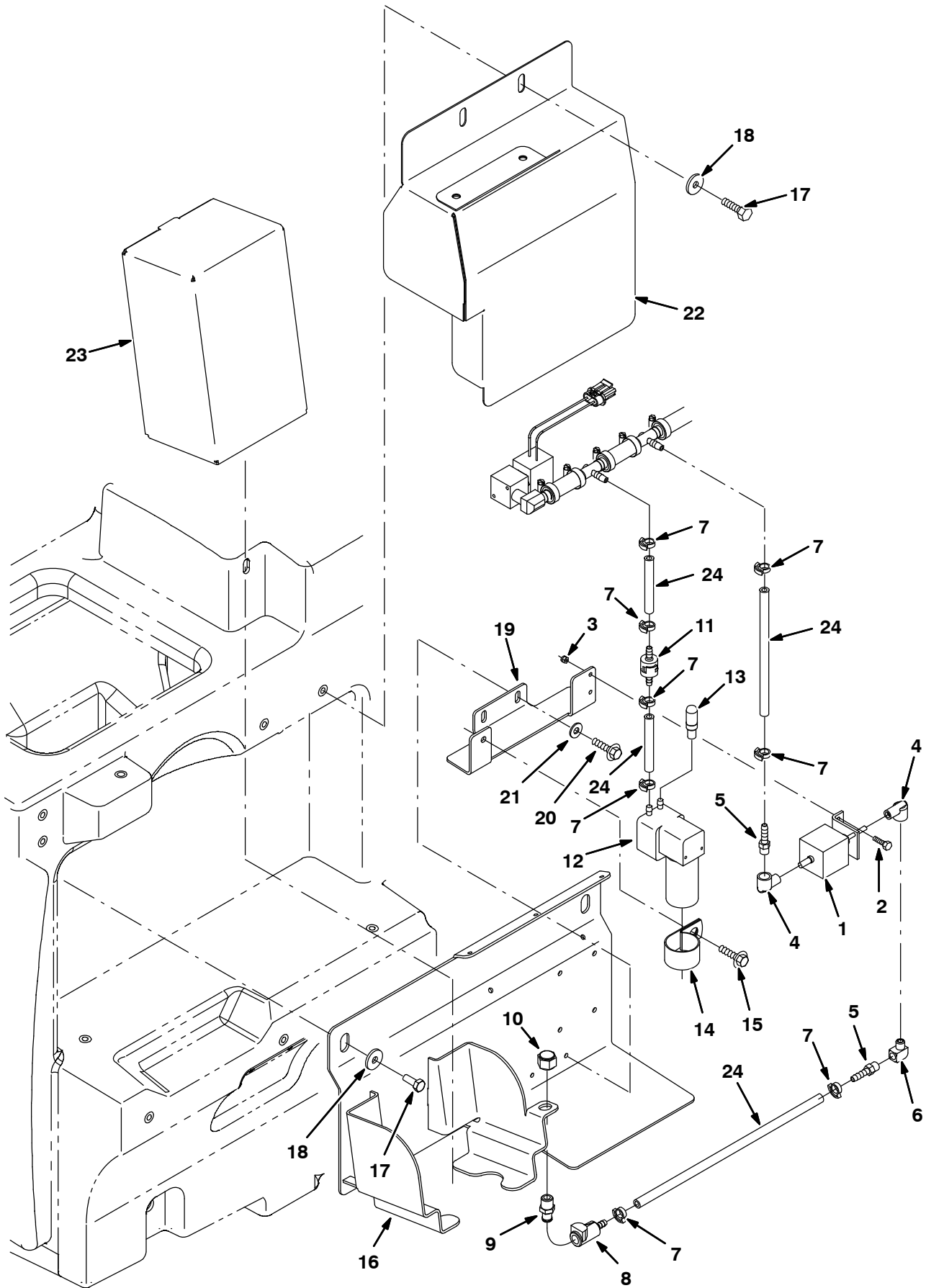


Fig. 10 – FaST Air Pump and Detergent Group (000000–002532)

Ref.	Part No.	Serial Number	Description	Qty.
1	1018097	(000000–002532)	Pump, Detgt, 12vdc	1
2	09206	(000000–002532)	Screw, Hex, M4 X 0.7 X 12, 8.8	2
3	02850	(000000–002532)	Nut, Hex, Lock, M4 X 0.7, NI	2
4	1014082	(000000–002532)	Fitting, Brs, E90, Cf03/Pf02	2
5	150525	(000000–002532)	Fitting, Brs, Str, Bm04/Pm02	2
6	11984	(000000–002532)	Fitting, Pipe, E90, Pf02/Pm02	1
7	1014575	(000000–002532)	Clamp, Hose, Plstc .351–.394 Id	8
8	1002898	(000000–002532)	Fitting, Plstc, Str, Bm04, Cplg, Fem	1
9	1002899	(000000–002532)	Fitting, Plstc, Str, Pm04, Cplg, Mal	1
10	1005435	(000000–002532)	Fitting, Plstc, Pipe, Cap, Pf04	1
11	1013902	(000000–002532)	Valve, Check, 0002psi Bm04/Bm04	1
12	1018780	(000000–002532)	Pump, Air, Ele, 12vdc	1
13	1005255	(000000–002532)	Filter Assy, Air, Mold, Ure	1
14	53466	(000000–002532)	Clamp, Cable, Stl, 1.50d X 1.00w, 1h	1
15	76099	(000000–002532)	Screw, Hex, M8 X 1.25 X 25, Fmg	1
16	1026067	(000000–002532)	Bracket Wldt, Mtg [FaST]	1
17	09740	(000000–002532)	Screw, Hex, M8 X 1.25 X 20, Ss	4
18	1017218	(000000–002532)	Washer, Flat, 0.32b 1.00d .12, Ss	4
19	1029118	(000000–002532)	Bracket, Mtg [FaST]	1
20	361339	(000000–002532)	Screw, Hex, M6 X 1.0 X 16, Fmg	2
21	32490	(000000–002532)	Washer, Flat, 0.25 Std	2
22	1033297	(000000–002532)	Cover Wldt [FaST]	1
23	1017022	(000000–002532)	Detergent Pkg, 2 Liter, Sgl [665]	1
24	1006415	(000000–002532)	Hose, Afmkt, Pvc, Clr 0.25id 03ft	1

Fig. 11 – FaST Foam Filter Group (000000–002532)

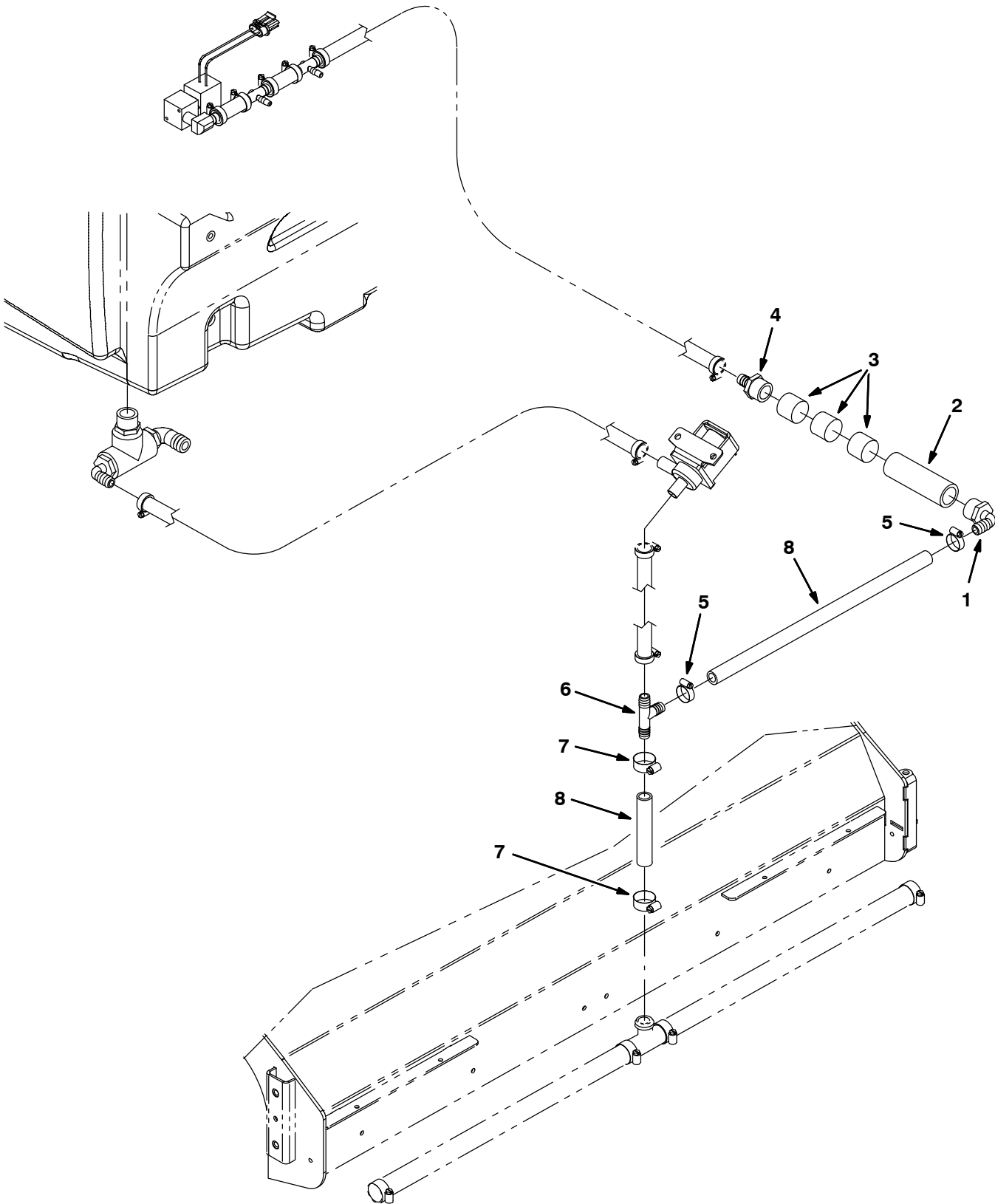


Fig. 11 – FaST Foam Filter Group (000000–002532)

Ref.	Part No.	Serial Number	Description	Qty.
1	1005552	(000000–002532)	Fitting, Plstc, E90, Bm08/Pm12, Nyl	1
2	1005086	(000000–002532)	Tube, Pvc, Clr, 4.0l [Shc80]	1
3	1002789	(000000–002532)	Filter, Foam, Rbr, 1.20d, 1.0l	3
4	79273–1	(000000–002532)	Fitting, Plstc, Str, Bm08/Pm12	1
5	54333	(000000–002532)	Clamp, Hose, Wormdrive, 0.31–0.88d, .31w	2
6	385644	(000000–002532)	Fitting, Plstc, Tee, Bm08/Bm12/Bm12, Br	1
7	63810	(000000–002532)	Clamp, Hose, Wormdrive, 0.56–1.06d, .56w	2
8	1011521	(000000–002532)	Hose, Afmkt, Pvc, Brd 0.50id 02ft	1

Fig. 12 - FaST Foam Filter Group, Side Brush (00000-002532)

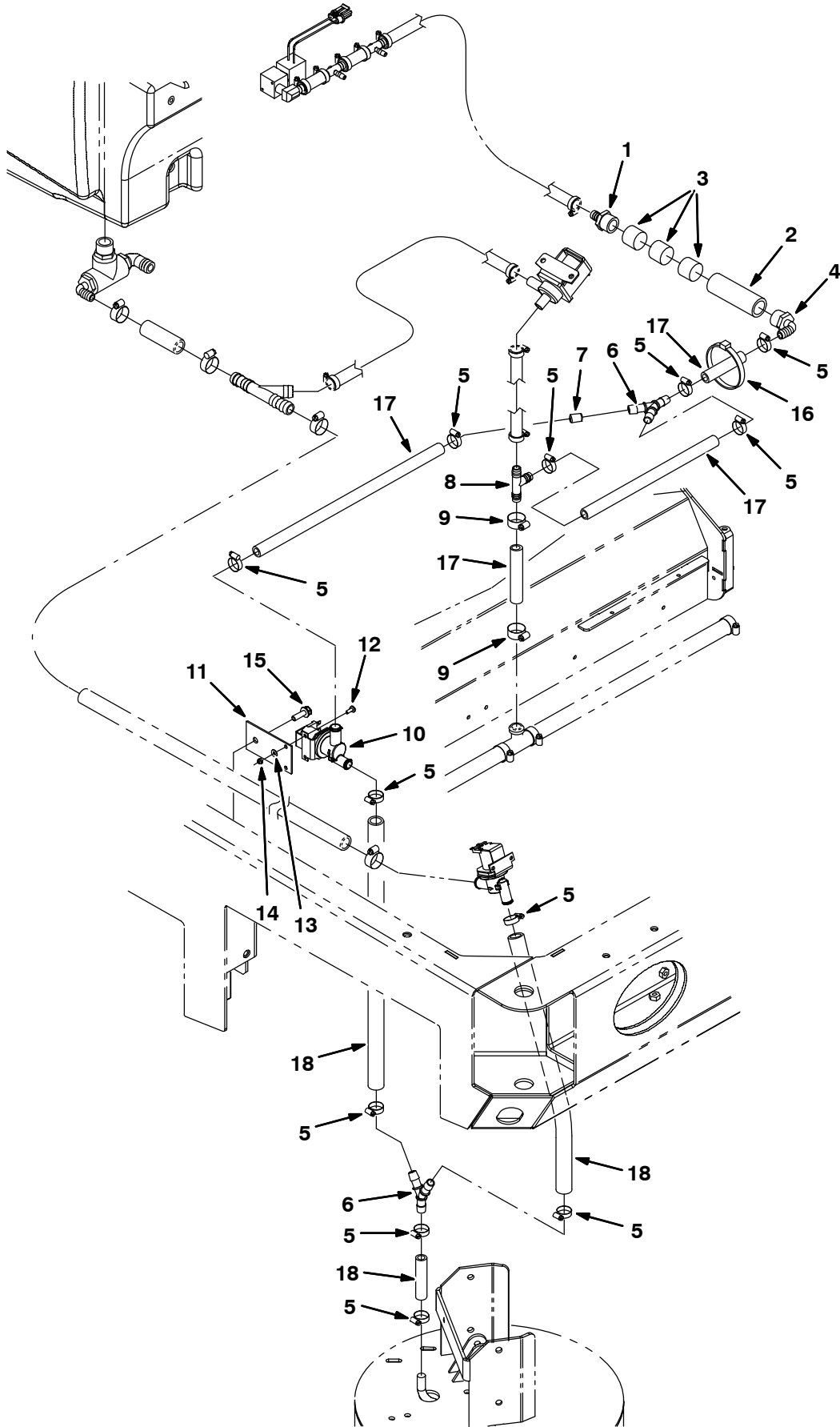


Fig. 12 – FaST Foam Filter Group, Side Brush (000000–002532)

Ref.	Part No.	Serial Number	Description	Qty.
1	79273-1	(000000–002532)	Fitting, Plstc, Str, Bm08/Pm12	1
2	1005086	(000000–002532)	Tube, Pvc, Clr, 4.0l [Shc80]	1
3	1002789	(000000–002532)	Filter, Foam, Rbr, 1.20d, 1.0l	3
4	1005552	(000000–002532)	Fitting, Plstc, E90, Bm08/Pm12, Nyl	1
5	54333	(000000–002532)	Clamp, Hose, Wormdrive, 0.31–0.88d, .31w	10
6	1010668	(000000–002532)	Fitting, Plstc, Y, Bm08/Bm08/Bm08, Nyl	2
7	1018333	(000000–002532)	Fitting, Plstc, Rst, .50od /.13id	1
8	385644	(000000–002532)	Fitting, Plstc, Tee, Bm08/Bm12/Bm12, Br	1
9	63810	(000000–002532)	Clamp, Hose, Wormdrive, 0.56–1.06d, .56w	2
10	1037825	(000000–002532)	Valve, Solenoid, 12vdc, Water Flow	1
11	1030511	(000000–002532)	Plate, Mtg, Valve	11
12	09200	(000000–002532)	Screw, Pan, M5 X 0.8 X 12, Ss	2
13	01683	(000000–002532)	Washer, Flat, #10, Ss	2
14	09739	(000000–002532)	Nut, Hex, Lock, M5 X 0.8, NI, Ss	2
15	76099	(000000–002532)	Screw, Hex, M8 X 1.25 X 25, Fmg	1
16	763116	(000000–002532)	Tie, Cable, Nyl, 15.3l . W 4.5 Max D	1
17	1011412	(000000–002532)	Hose, Afmkt, Pvc, Brd 0.50id 08ft	1
18	1015067	(000000–002532)	Hose, Afmkt, Pvc, Clr 0.50id 08ft	1

Fig. 13 – FaST Wire Harness Group (000000-002532)

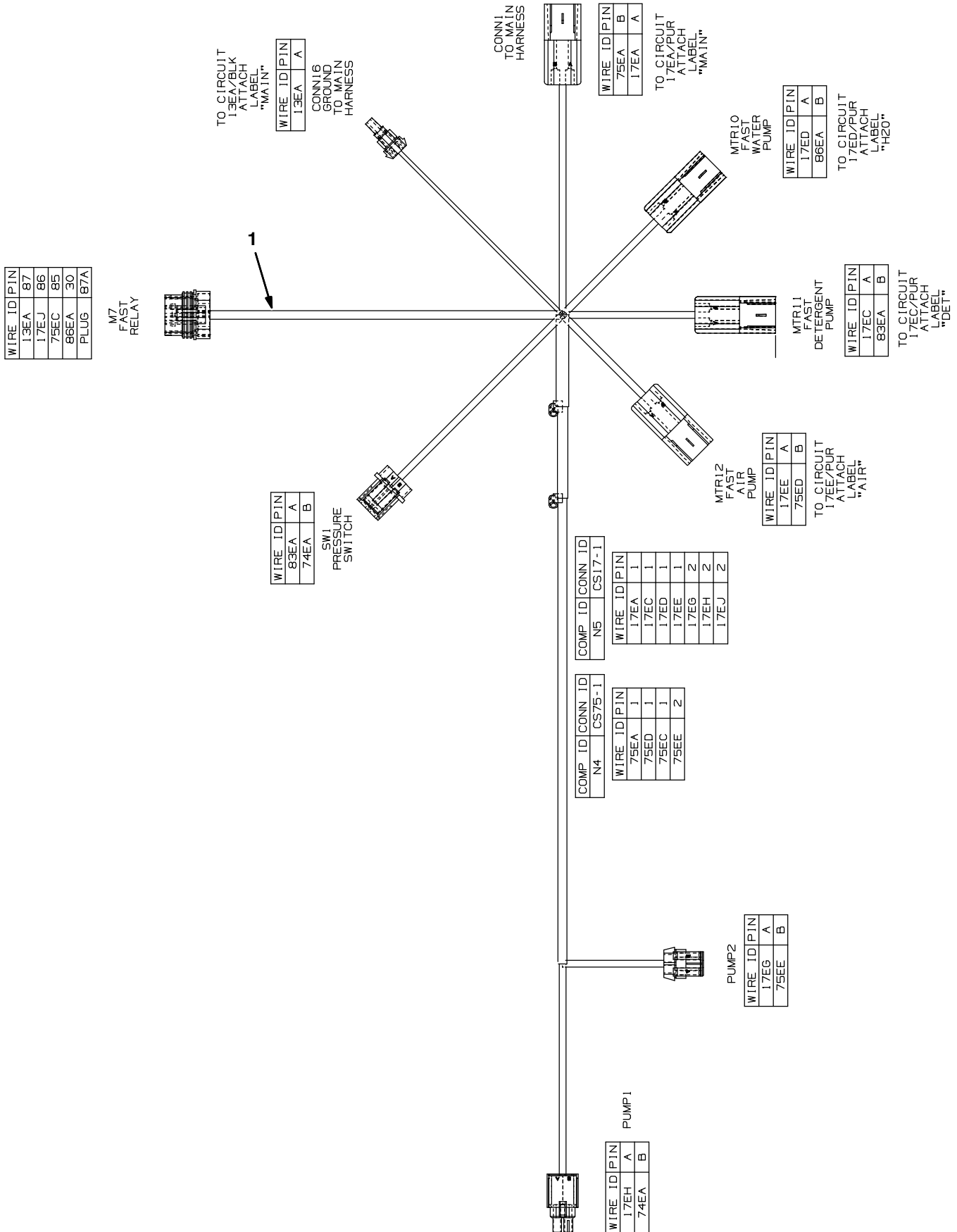


Fig. 13 - FaST Wire Harness Group (000000-002532)

Ref.	Part No.	Serial Number	Description	Qty.
1	1019646	(000000-002532)	Harness [FaST, M20 And T20]	1

Fig. 14 - FaST Pumps and Detergent Group (002533-)

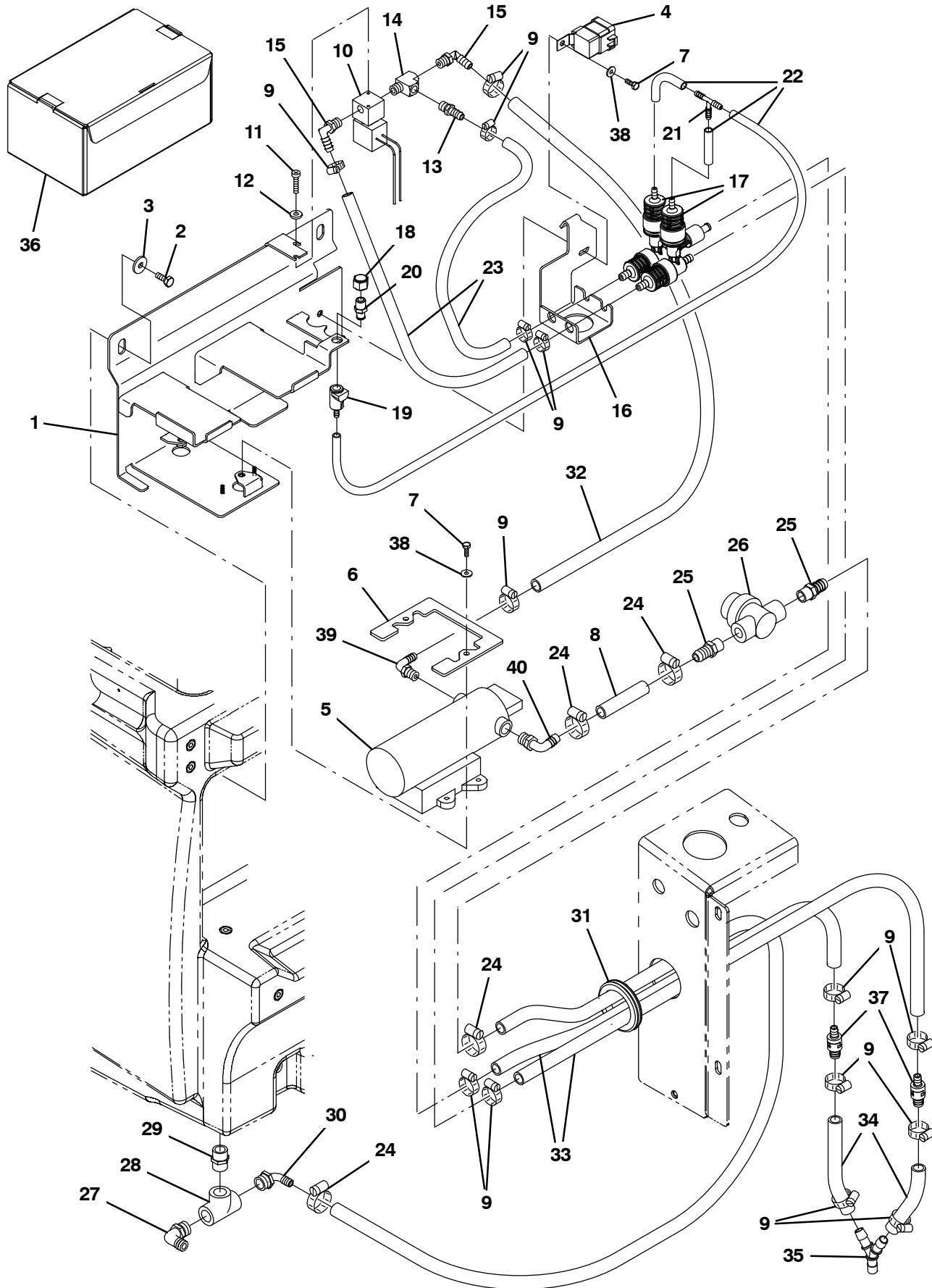


Fig. 14 – FaST Pumps and Detergent Group (002533–)

Ref.	Part No.	Serial Number	Description	Qty.
1	1044342	(002533–)	Bracket Wldt, Mtg [FaST Gen 2+]	1
2	09740	(002533–)	Screw, Hex, M8 X 1.25 X 20, Ss	2
3	1017218	(002533–)	Washer, Flat, 0.32b 1.00d .12, Ss	2
4	56186	(002533–)	Relay, 12vdc, 040a, Spdt No	1
5	1036801	(002533–)	Pump, Soltn, 13.7vdc, 65psi [FaST li+]	1
6	1039357	(002533–)	Bracket, Retainer, Pump	1
7	15678	(002533–)	Screw, Hex, M6 X 1.00 X 16, Ss	3
8	1011403	(002533–)	Hose, Afmkt, Pvc, Brd, 0.50ld, 01Ft, Clr	1
9	43844	(002533–)	Clamp, Hose, Wormdrive, 0.25–0.62d, .31w	14
10	1018098	(002533–)	Valve, Water, Solenoid, 12vdc 6.0mm Pf04	1
11	09200	(002533–)	Screw, Pan, Phl, M5 X 0.80 X 12, Ss	2
12	01683	(002533–)	Washer, Flat, 10, Ss	2
13	150540	(002533–)	Fitting, Plstc, Str, Bm06/Pm04	1
14	150709	(002533–)	Fitting, Brs, Tee, Pf04/Pf04/Pm04, Run	1
15	57248	(002533–)	Fitting, Plstc, E90, Bm06/Pm04, Nyl	2
16	1044343	(002533–)	Bracket, Mtg [FaST Gen 2+]	1
17	9008868	(002533–)	FaST Kit, Injector [M20/T20/M30 FaST III] (See Breakdowns)	2
18	1005435	(002533–)	Fitting, Plstc, Pipe, Cap, Pf04	1
19	1002898	(002533–)	Fitting, Plstc, Str, Bm04, Cplg, Fem	1
20	1002899	(002533–)	Fitting, Plstc, Str, Pm04, Cplg, Mal	2
21	150713	(002533–)	Fitting, Plstc, Tee, Bm04/Bm04/Bm04	1
22	1014986	(002533–)	Hose, Afmkt, Pvc, Clr, 0.25id, 02ft	1
23	1006416	(002533–)	Hose, Afmkt, Pvc, Clr, 0.38id, 03ft	1
24	54333	(002533–)	Clamp, Hose, Wormdrive, 0.31–0.88d, .31w	8
25	150538	(002533–)	Fitting, Plstc, Str, Bm06/Pm06	2
26	1005302	(002533–)	Filter, In-Line, Pf06/Pf06 080mesh 02.6l	1
27	14877	(002533–007259)	Fitting, Plstc, E90, Bm12/Pm12	1
27	73468	(007260–)	Fitting, Plstc, E90, Bm10/Pm12	1
28	42133A	(002533–)	Fitting, Plstc, Tee, Pf12/Pf12/Pf12	1
29	24544	(002533–)	Fitting, Plstc, Str, Pm12/Pm12 1.60l	1
30	1005552	(002533–)	Fitting, Plstc, E90, Bm08/Pm12, Nyl	1
31	10632–19	(002533–)	Grommet, Rbr, 2.13id, F/2.5h, .12 Matl	1
32	1006400	(002533–)	Hose, Afmkt, Pvc, Brd, 0.38id, 03ft, Clr	1
33	1024237	(002533–)	Hose, Afmkt, Pvc, Wir, 0.50id, 03ft, Clr	1
34	1014929	(002533–)	Hose, Afmkt, Pvc, Clr, 0.38id, 01ft	1
35	1010668	(002533–)	Fitting, Plstc, Y, Bm08/Bm08/Bm08, Nyl	1
36	1017022	(002533–)	Detergent, Pkg, 2 Liter, Sgl [665]	1
37	1035794	(002533–)	Valve, Check, 0005psi Bm06/Bm08	2
38	01684	(002533–)	Washer, Flat, 0.27B 0.69D .05, Ss	3
39	1049254	(002533–)	Fitting, Nyl, Qdc, E90, Bm08/ Qm10	1
40	1049259	(002533–)	Fitting, NylY, Qdc, E90, Bm06/ Qm10	1

Fig. 15 – FaST Solution Supply Group (002533-)

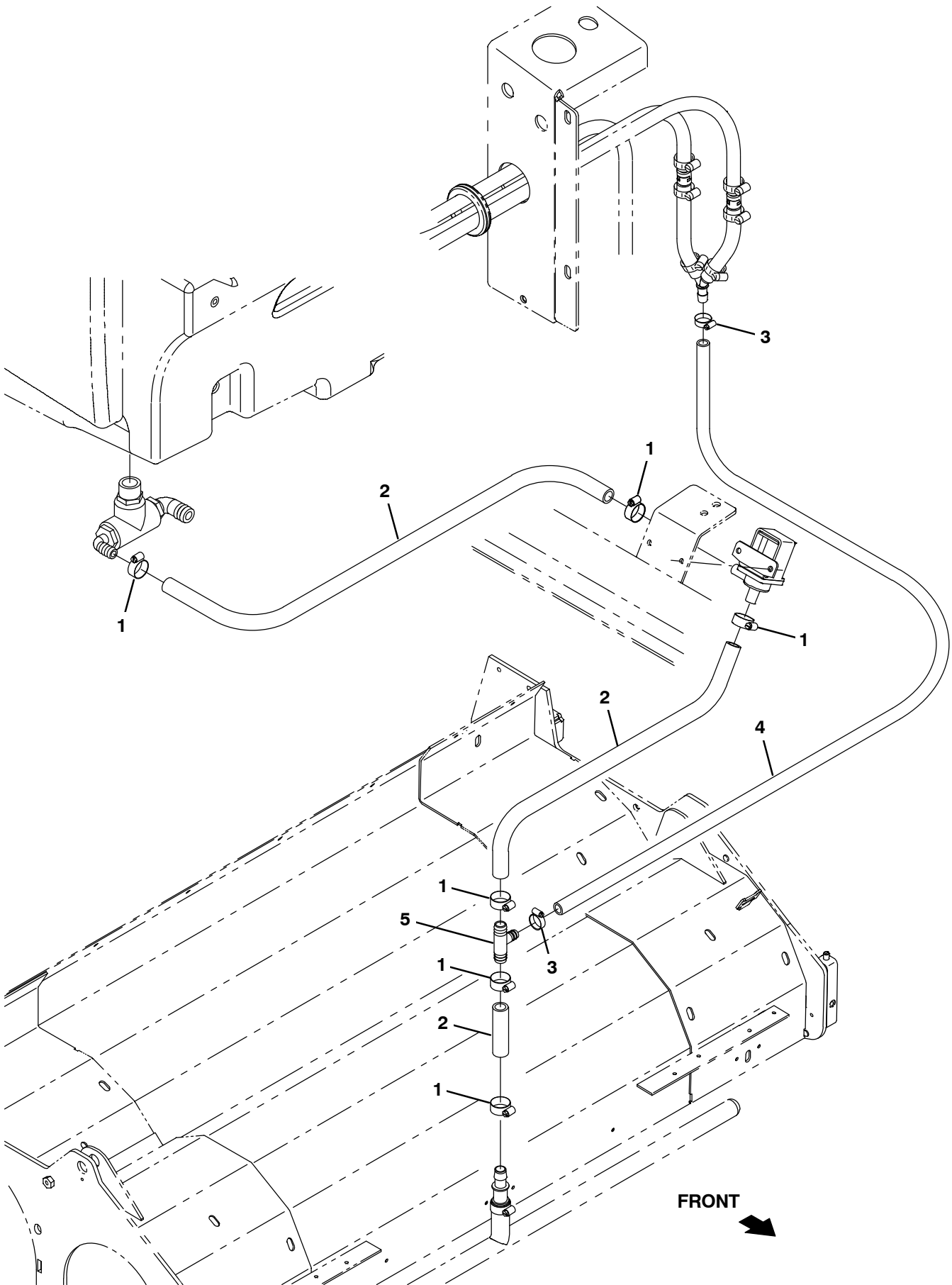


Fig. 15 – FaST Solution Supply Group (002533–)

Ref.	Part No.	Serial Number	Description	Qty.
1	63810	(002533–)	Clamp, Hose, Wormdrive, 0.56–1.06d, .56w	6
2	1015045	(002533–007259)	Hose, Afmkt, Pvc, Brd, 0.75id, 08ft, Clr	1
2	1015032	(007260–)	Hose, Afmkt, Pvc, Brd, 0.62id, 08ft, Clr	1
3	54333	(002533–)	Clamp, Hose, Wormdrive, 0.31–0.88d, .31w	2
4	1011412	(002533–)	Hose, Afmkt, Pvc, Brd, 0.50id, 08ft, Clr	1
5	385644	(002533–007259)	Fitting, Plstc, Tee, Bm08/Bm12/Bm12, Br	1
5	1015486	(007260–)	Fitting, Plstc, Tee, Bm08/Bm10/Bm10, Br	1

Fig. 16 – FaST Solution Supply Group with Side Brush (002533-)

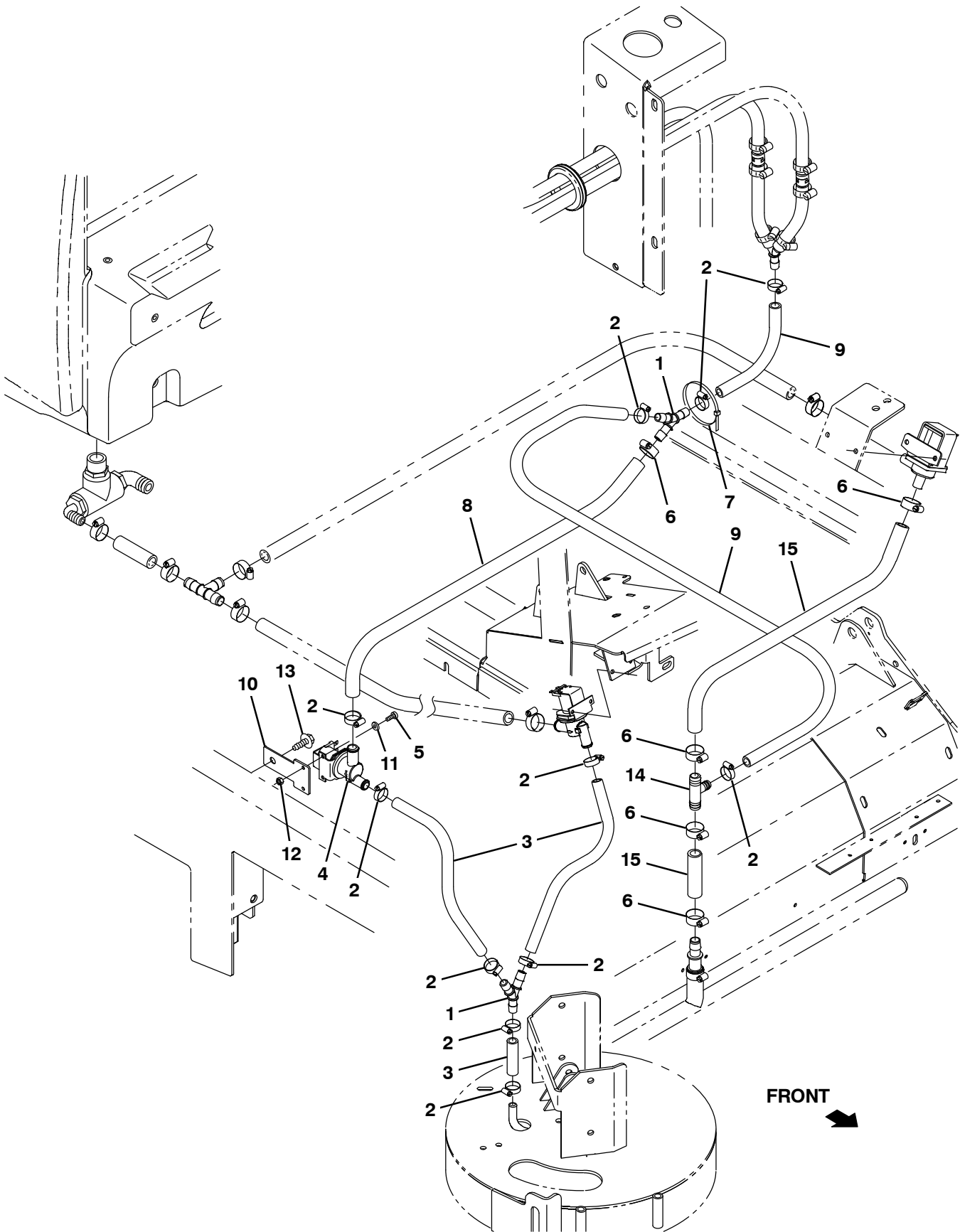


Fig. 16 – FaST Solution Supply Group with Side Brush (002533–)

Ref.	Part No.	Serial Number	Description	Qty.
1	1010668	(002533–)	Fitting, Plstc, Y, Bm08/Bm08/Bm08, Nyl	2
2	54333	(002533–)	Clamp, Hose, Wormdrive, 0.31–0.88d, .31w	11
3	1015067	(002533–)	Hose, Afmkt, Pvc, Clr, 0.50id, 08ft	1
4	1037825	(002533–)	Valve, Solenoid, 12vdc, Water Flow	1
5	09200	(002533–)	Screw, Pan, Phl, M5 X 0.80 X 12, Ss	2
6	63810	(002533–)	Clamp, Hose, Wormdrive, 0.56–1.06d, .56w	5
7	763116	(002533–)	Tie, Cable, Nyl, 15.3l . W 4.5 Max D	1
8	31543	(002533–)	Hose, Heater, E90, 0.62id, 24.0 4.0	1
9	1011412	(002533–)	Hose, Afmkt, Pvc, Brd, 0.50id, 08ft, Clr	1
10	1030511	(002533–)	Plate, Mtg, Valve	1
11	01683	(002533–)	Washer, Flat, 10, Ss	2
12	09739	(002533–)	Nut, Hex, Lock, M5 X 0.80, NI, Ss	2
13	76099	(002533–)	Screw, Hex, M8 X 1.25 X 25, Fmg	1
14	385644	(002533–007259)	Fitting, Plstc, Tee, Bm08/Bm12/Bm12, Br	1
14	1015486	(007260–)	Fitting, Plstc, Tee, Bm08/Bm10/Bm10, Br	1
15	1006401	(002533–007259)	Hose, Afmkt, Pvc, Brd, 0.50id, 03ft, Clr	1
15	1015026	(007260–)	Hose, Afmkt, Pvc, Brd, 0.62id, 03ft, Clr	1

Fig. 17 – FaST Wire Harness Group (002533-)

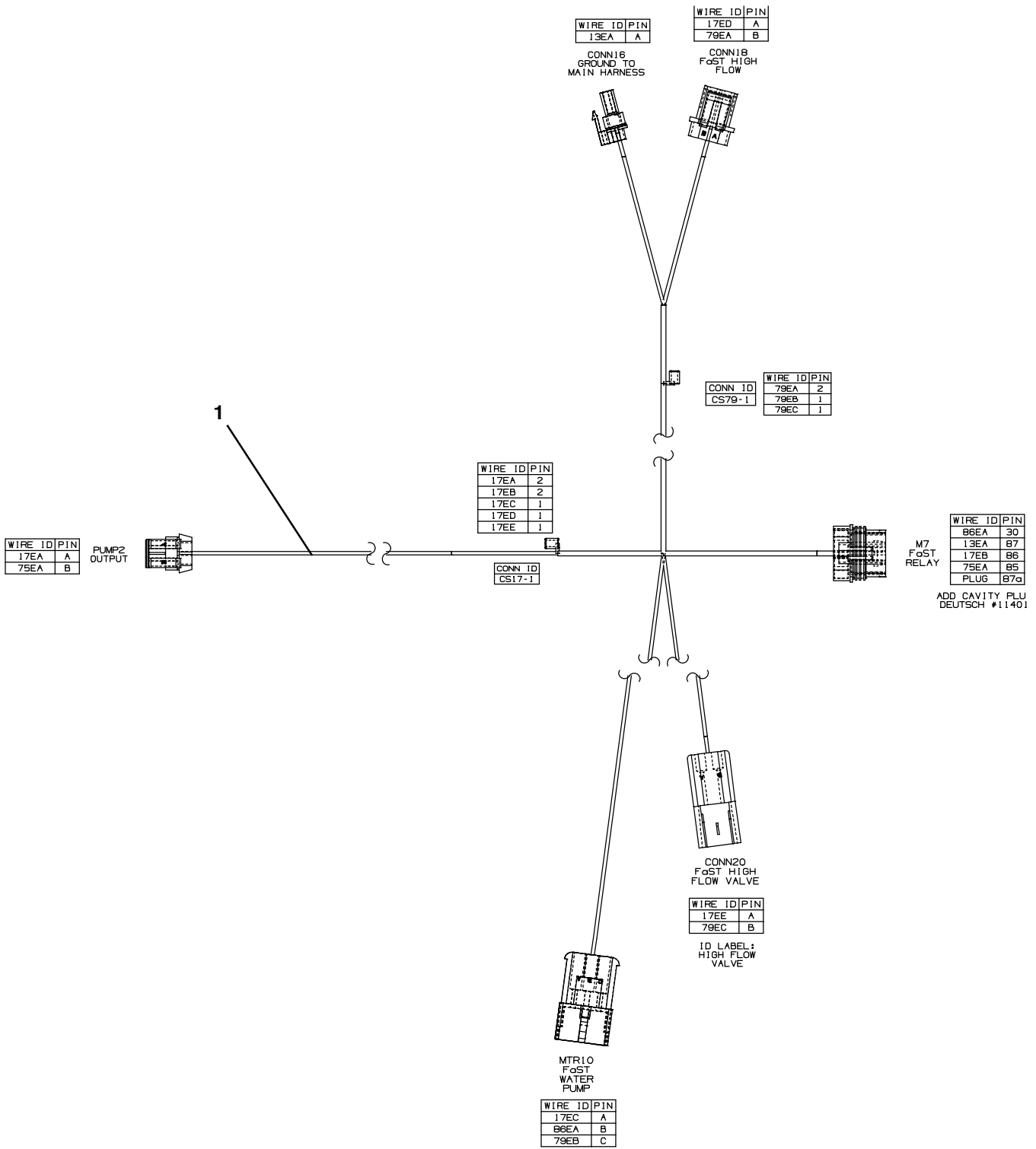


Fig. 17 – FaST Wire Harness Group (002533–)

Ref.	Part No.	Serial Number	Description	Qty.
1	1037809	(002533–)	Harness, Wire [FaST Gen 2]	1

Fig. 18 – ec-H2O Solution Pump Group

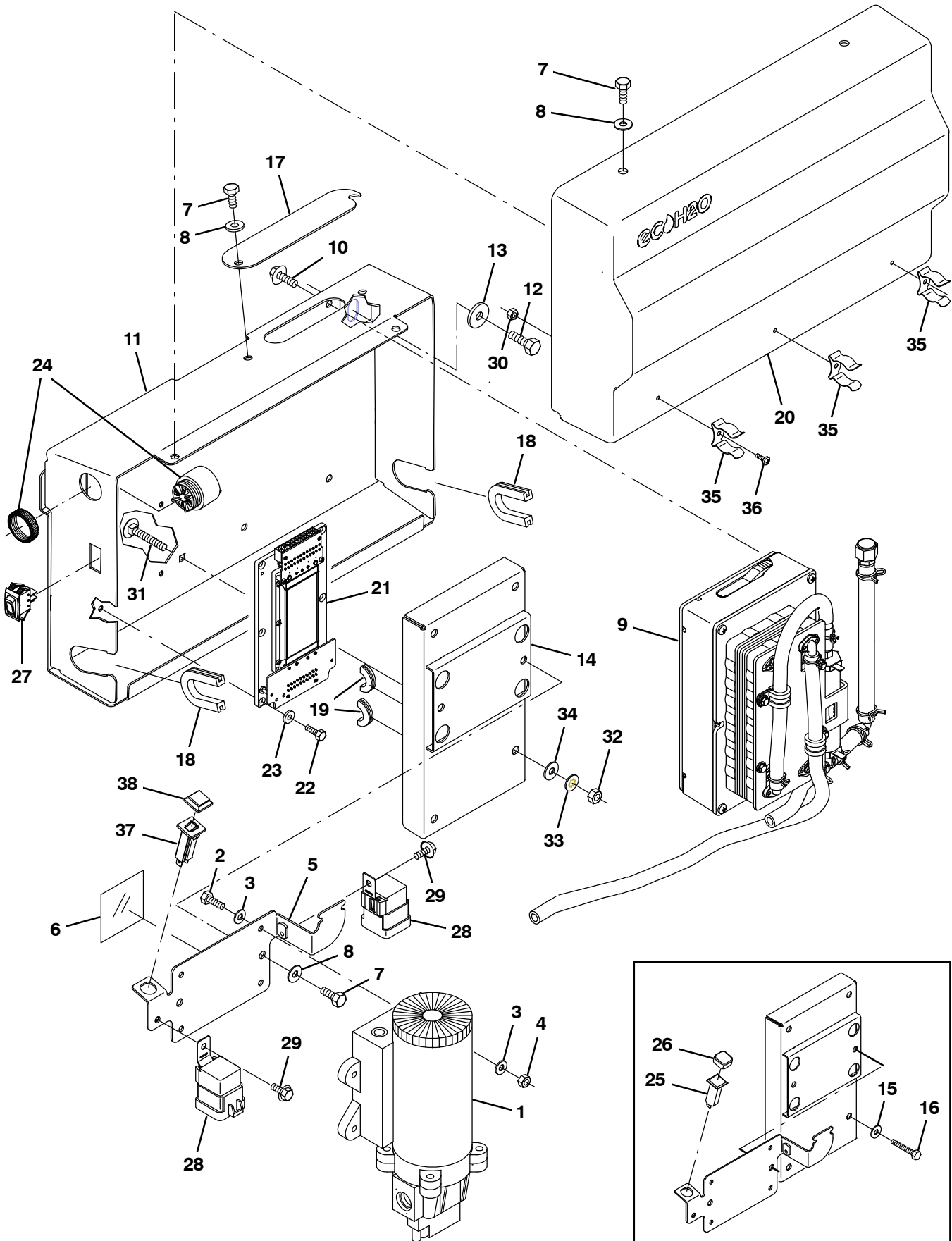


Fig. 18 – ec–H2O Solution Pump Group

Ref.	Part No.	Serial Number	Description	Qty.
1	1060624	(000000–)	Pump, Soltn, Ele, 13.7vdc,12/28psi	1
2	09252	(000000–)	Screw, Hex, M5 X 0.80 X 20, 8.8	4
3	19066	(000000–)	Washer, Flat, 10	8
4	06549	(000000–)	Nut, Hex, Lock, M5 X 0.80, NI	4
5	1060273	(000000–)	Plate, Mtg, Pump	1
6	1059677	(000000–)	Strip, Rbr, 0.06 03.54w 03.5l [Neo/60]	1
7	09744	(000000–)	Screw, Hex, M6 X 1.00 X 12, Ss	6
8	01684	(000000–)	Washer, Flat, 0.27b 0.69d .05, Ss	6
9	9007882	(000000–)	Module Kit, Replmt [Ec–H2O] (See Breakdowns)	1
10	1040467	(000000–)	Screw, Hex, M6 X 1.00 X 20, 9.8, Sems	4
11	1060292	(000000–)	Plate Wldt, Mtg	1
12	09740	(000000–)	Screw, Hex, M8 X 1.25 X 20, Ss	2
13	1017218	(000000–)	Washer, Flat, 0.32b 1.00d .12, Ss	2
14	1060185	(000000–)	Cover Wldt, Power Supply	1
15	01684	(000000–xxxxxx)	Washer, Flat, 0.27b 0.69d .05, Ss	4
16	07805	(000000–xxxxxx)	Screw, Hex, M6 X 1.00 X 35, Ss	4
17	1060291	(000000–)	Plate, Inspection	1
18	1020168	(000000–)	Molding, Afmkt, Trim, Pvc, .08 .11, 01Ft	1
19	10632–4	(000000–)	Grommet, Rbr, 0.62id, F/0.9h, .06 Matl	1
20	1060719	(000000–)	Cover, Trimmed	1
21	1058963	(000000–)	Converter, Ele, 12–36 Vdc	1
22	09206	(000000–)	Screw, Hex, M4 X 0.70 X 12, 8.8	4
23	19065	(000000–)	Washer, Flat, 08	4
24	1052726	(000000–)	Alarm, 9–48vdc, 95 Db(A) [Ec–H2O]	1
25	1053078	(000000–003658)	Circuitbreaker, 2.0a, Resetable	1
26	1046173	(000000–003658)	Boot, Circuitbreaker	1
27	1044393	(000000–)	Switch, Rocker, Spst, Mom	1
28	56186	(000000–)	Relay, 12vdc, 040a, Spdt No	2
29	223198	(000000–)	Screw, Hex, M5 X 0.80 X 10, Fmg	2
30	33932	(000000–)	Nut, Hex, Lock, M4 X 0.70, NI, Ss	3
31	1062804	(xxxxxx–)	Bolt, Carriage, M06 X 1.00 X 40, 4.6	4
32	41359	(xxxxxx–)	Nut, Hex, Std, M6 X 1.00, 8	4
33	32982	(xxxxxx–)	Washer, Lock, Int, 0.25	4
34	32483	(xxxxxx–)	Washer, Flat, 0.25, Sae	4
35	1029057	(000000–)	Clip, Grip, Finger, 0.88–1.25d	3
36	12323	(000000–)	Screw, Pan, Phl, M4 X 0.70 X 20, Ss	3
37	1064183	(003659–)	Circuitbreaker, 02.0a, Resetable	1
38	1064191	(003659–)	Boot, Circuitbreaker	1

Fig. 19 – ec-H2O Solution Pump Supply Group

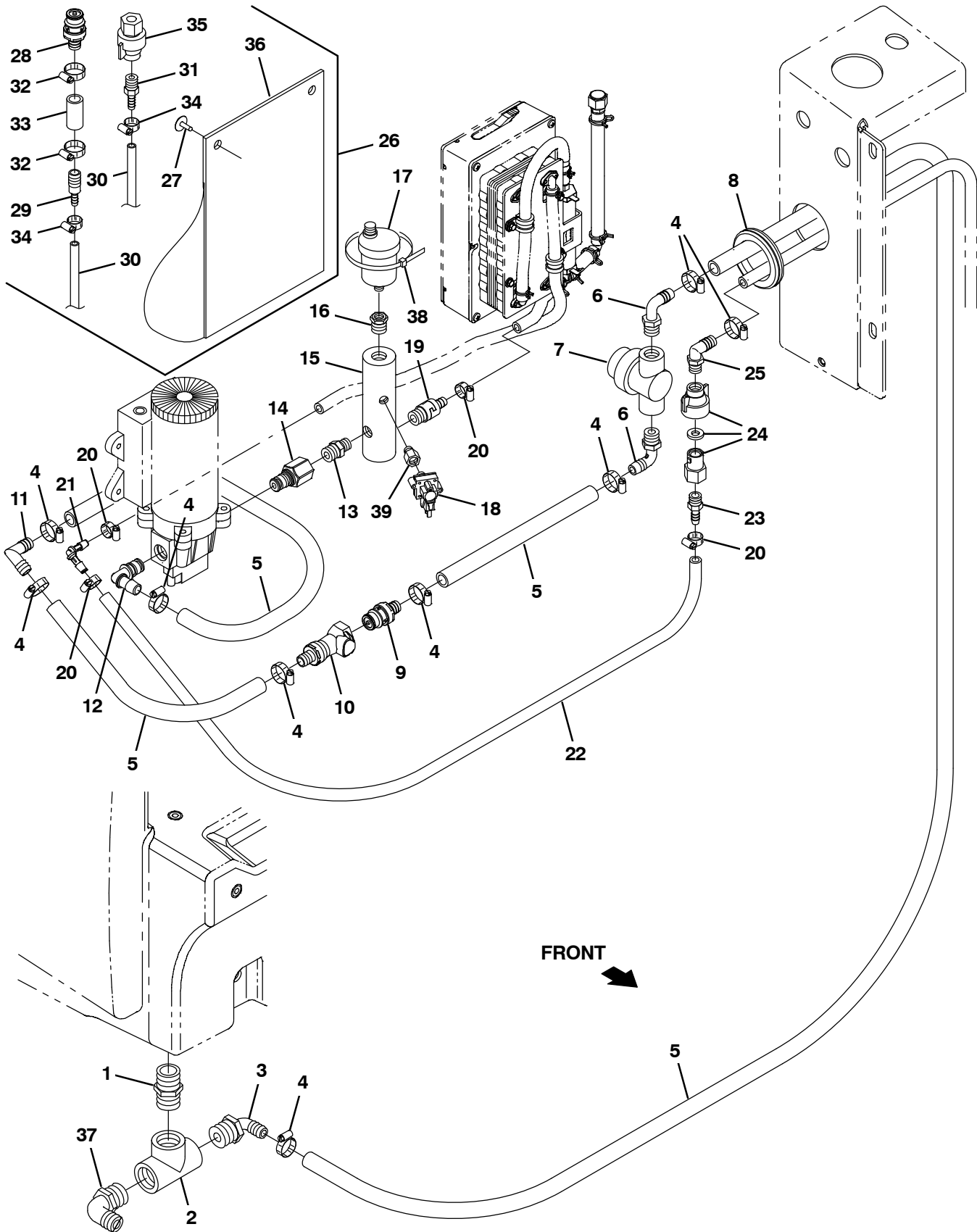


Fig. 19 – ec-H2O Solution Pump Supply Group

Ref.	Part No.	Serial Number	Description	Qty.
1	24544	(000000–)	Fitting, Plstc, Str, Pm12/Pm12 1.60l	1
2	42133A	(000000–)	Fitting, Plstc, Tee, Pf12/Pf12/Pf12	1
3	1005552	(000000–)	Fitting, Plstc, E90, Bm08/Pm12, Nyl	1
4	54333	(000000–)	Clamp, Hose, Wormdrive, 0.31–0.88d, .31w	9
5	1011837	(000000–)	Hose, Afmkt, Pvc, Brd, 0.50id, 12ft, Clr	1
6	64778	(000000–)	Fitting, Plstc, E90, Bm08/Pm06	2
7	1005302	(000000–)	Filter, In-Line, Pf06/Pf06 080mesh 02.6l	1
8	10632-19	(000000–)	Grommet, Rbr, 2.13id, F/2.5h, .12 Matl	3
9	1017415	(000000–)	Insert, Cplg, Qm, Bm08	1
10	1017413	(000000–)	Housing, Cplg, Qf / Pm08	1
11	63987-1	(000000–)	Fitting, Plstc, E90, Bm08/Bm08	1
12	1049254	(000000–)	Fitting, Nyl, Qdc, E90, Bm08/ Qm10	1
13	1059372	(000000–)	Fitting, Plstc, Str, Pf06/Qm10, Pvc	1
14	1005219	(000000–)	Fitting, Plstc, Str, Pm04/Pm06, Nyl	1
15	1060596	(000000–)	Manifold, Water	1
16	24698	(000000–)	Fitting, Brs, Str, Pf02/Pm06	1
17	1017386	(000000–)	Valve, Vent, Air, Float Type	1
18	1058935	(000000–)	Switch, Press, 50 Psi, Pm02	1
19	1060693	(000000–)	Valve, Check, 0005psi Pm04/Bm06	1
20	43844	(000000–)	Clamp, Hose, Wormdrive, 0.25–0.62d, .31w	4
21	1059391	(000000–)	Fitting, Plstc, E90, Bm05/Bm05, Nyl	1
22	1052336	(000000–)	Hose, Afmkt, PVC, Brd, 0.31id, 03Ft, Clr	2
23	1052017	(000000–)	Fitting, Plstc, Str, Bm05/Pm04	1
24	1071280	(000000–)	Fitting Assy, Qdc, Pf04	1
25	65581	(000000–)	Fitting, Plstc, E90, Bm08/Pm04	1
▽	26	9014281	(000000–) ec-H2O Kit, Flush, Replmt[M20, M30&T20]	1
▲	27	72968	(000000–) Rivet, Plstc, .250d X 0.90	2
▲	28	1017415	(000000–) Insert, Cplg, Qm, Bm08	1
▲	29	630164	(000000–) Fitting, Plstc, Str, Bm04/Bm08	1
▲	30	1006415	(000000–) Hose, Afmkt, Pvc, Clr, 0.25id, 03ft	2
▲	31	50901	(000000–) Fitting, Plstc, Str, Bm04/Pm04	1
▲	32	54333	(000000–) Clamp, Hose, Wormdrive, 0.31–0.88d, .31w	2
▲	33	1011403	(000000–) Hose, Afmkt, Pvc, Brd, 0.50id, 01ft, Clr	1
▲	34	43844	(000000–) Clamp, Hose, Wormdrive, 0.25–0.62d, .31w	2
▲	35	1071280	(000000–) Fitting Assy, Qdc, Pf04	1
▲	36	48790	(000000–) Pouch	1
	37	14877	(000000-007259) Fitting, Plstc, E90, Bm12/Pm12	1
	37	73468	(007260–) Fitting, Plstc, E90, Bm10/Pm12	1
	38	49266	(000000–) Tie, Cable, Nyl, 07.3l .19w 1.8 Max D	1
	39	1062403	(000000–) Fitting, Brs, Snubber, Pm02/Pf02	1

Fig. 20 - ec-H2O Solution Supply Group

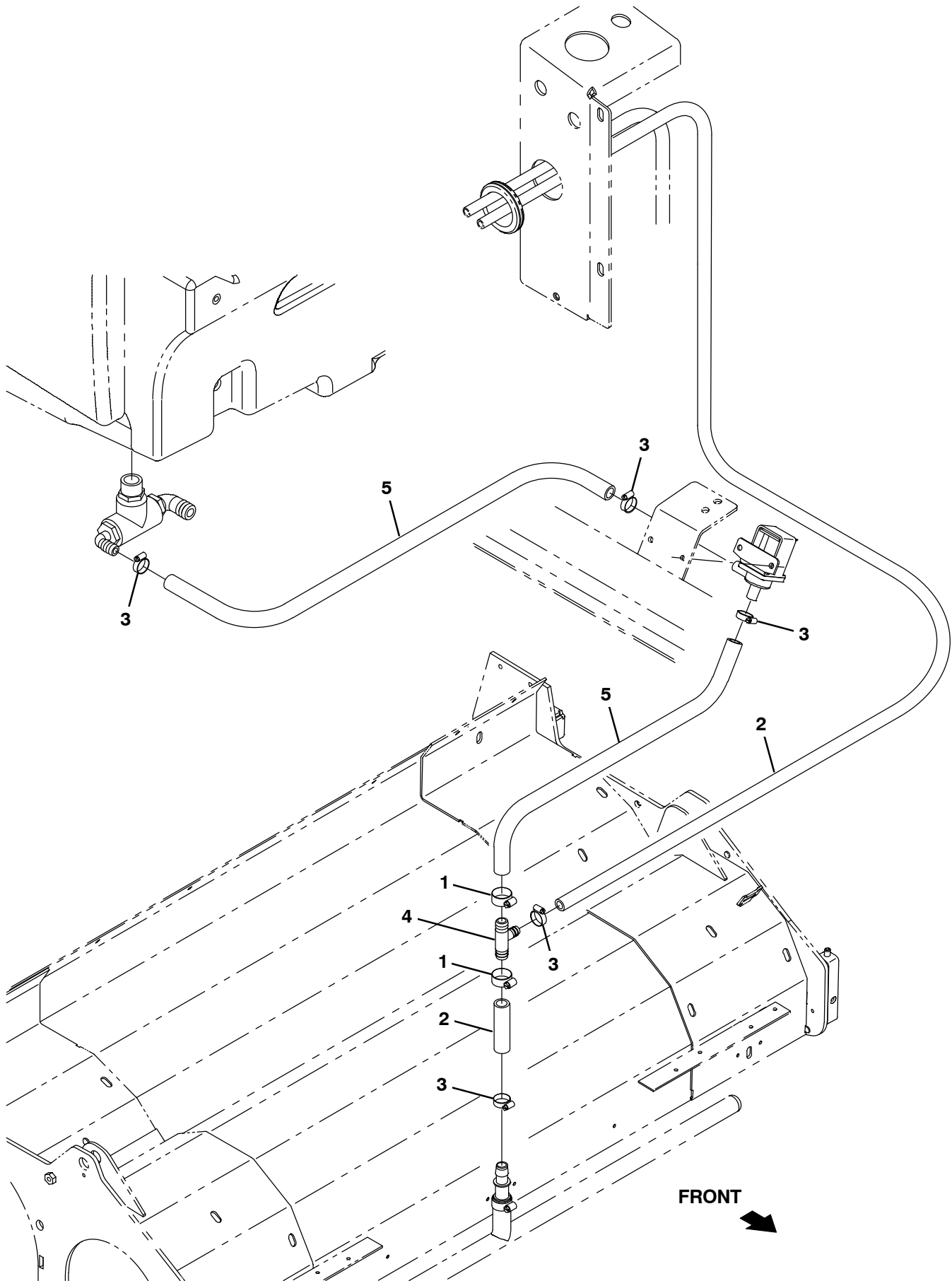


Fig. 20 – ec-H2O Solution Supply Group

Ref.	Part No.	Serial Number	Description	Qty.
1	63810	(000000–) Clamp, Hose, Wormdrive, 0.56–1.06d, .56w	2
2	1011837	(000000–) Hose, Afmkt, Pvc, Brd, 0.50id, 12ft, Clr	1
3	54333	(000000–) Clamp, Hose, Wormdrive, 0.31–0.88d, .31w	5
4	385644	(000000–007259) Fitting, Plstc, Tee, Bm08/Bm12/Bm12, Br	1
4	1015486	(007260–) Fitting, Plstc, Tee, Bm08/Bm10/Bm10, Br	1
5	1015045	(000000–007259) Hose, Afmkt, Pvc, Brd, 0.75id, 08ft, Clr	1
5	1015032	(007260–) Hose, Afmkt, Pvc, Brd, 0.62id, 08ft, Clr	1

Fig. 21 - ec-H2O Solution Supply Group with Side Brush

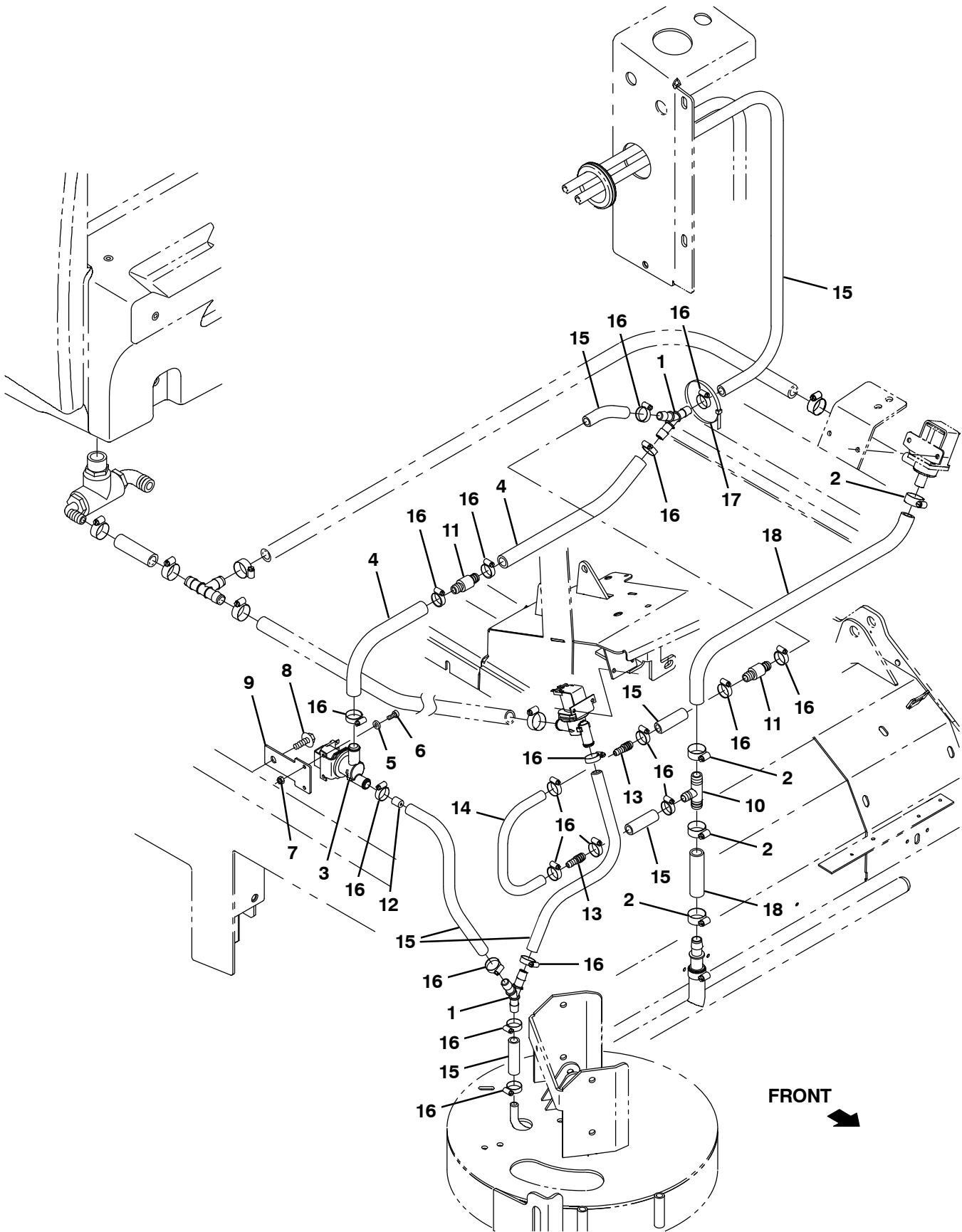


Fig. 21 – ec-H2O Solution Supply Group with Side Brush

Ref.	Part No.	Serial Number	Description	Qty.
1	1010668	(000000–) Fitting, Plstc, Y, Bm08/Bm08/Bm08, Nyl	1
2	63810	(000000–) Clamp, Hose, Wormdrive, 0.56–1.06d, .56w	4
3	1037825	(000000–) Valve Assy, Water, Solenoid, 12vdc	1
4	31543	(000000–) Hose, Heater, E90, 0.62id, 24.0 4.0	1
5	01683	(000000–) Washer, Flat, 10, Ss	2
6	24196	(000000–) Screw, Pan, Phl, M5 X 0.80 X 20, Ss	2
7	09739	(000000–) Nut, Hex, Lock, M5 X 0.80, NI, Ss	2
8	76099	(000000–) Screw, Hex, M8 X 1.25 X 25, Fmg	1
9	1030511	(000000–) Plate, Mtg, Valve	1
10	385644	(000000–007259) Fitting, Plstc, Tee, Bm08/Bm12/Bm12, Br	1
10	1015486	(007260–) Fitting, Plstc, Tee, Bm08/Bm10/Bm10, Br	1
11	1010614	(000000–) Valve, Check, 2gpm .5psi Bm08/Bm08	2
12	1061045	(000000–) Plug, Restrictor	1
13	222375	(000000–) Fitting, Plstc, Str, Bm06/Bm08	2
14	1014974	(000000–) Hose, Afmkt, Pvc, Brd, 0.38id, 02ft, Clr	1
15	1011412	(000000–) Hose, Afmkt, Pvc, Brd, 0.50id, 08ft, Clr	1
16	54333	(000000–) Clamp, Hose, Wormdrive, 0.31–0.88d, .31w	18
17	763116	(000000–) Tie, Cable, Nyl, 15.3l . W 4.5 Max D	1
18	1015026	(000000–) Hose, Afmkt, Pvc, Brd, 0.62id, 03ft, Clr	1

Fig. 22 – ec-H20 Wire Harnesses Group

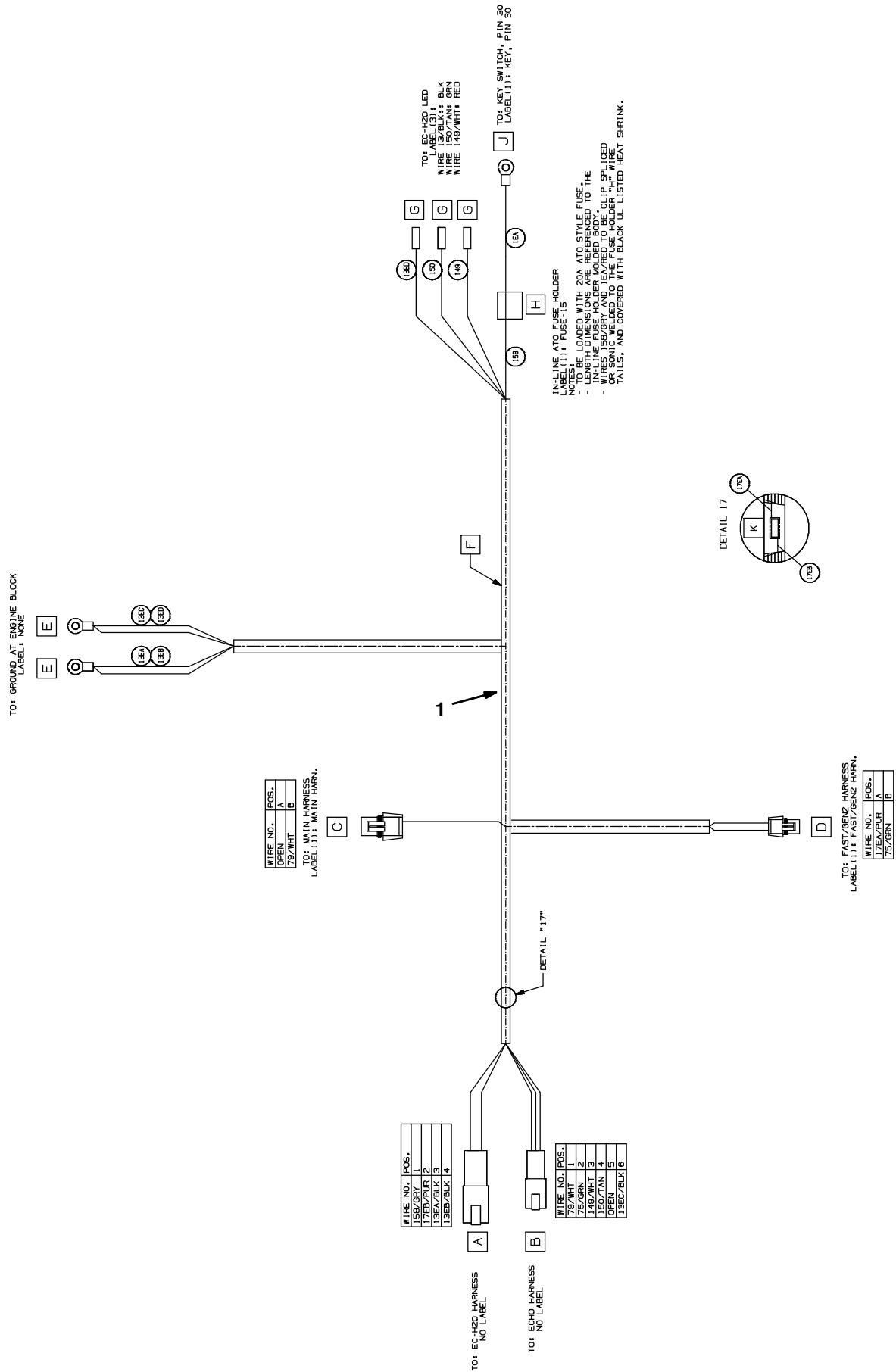
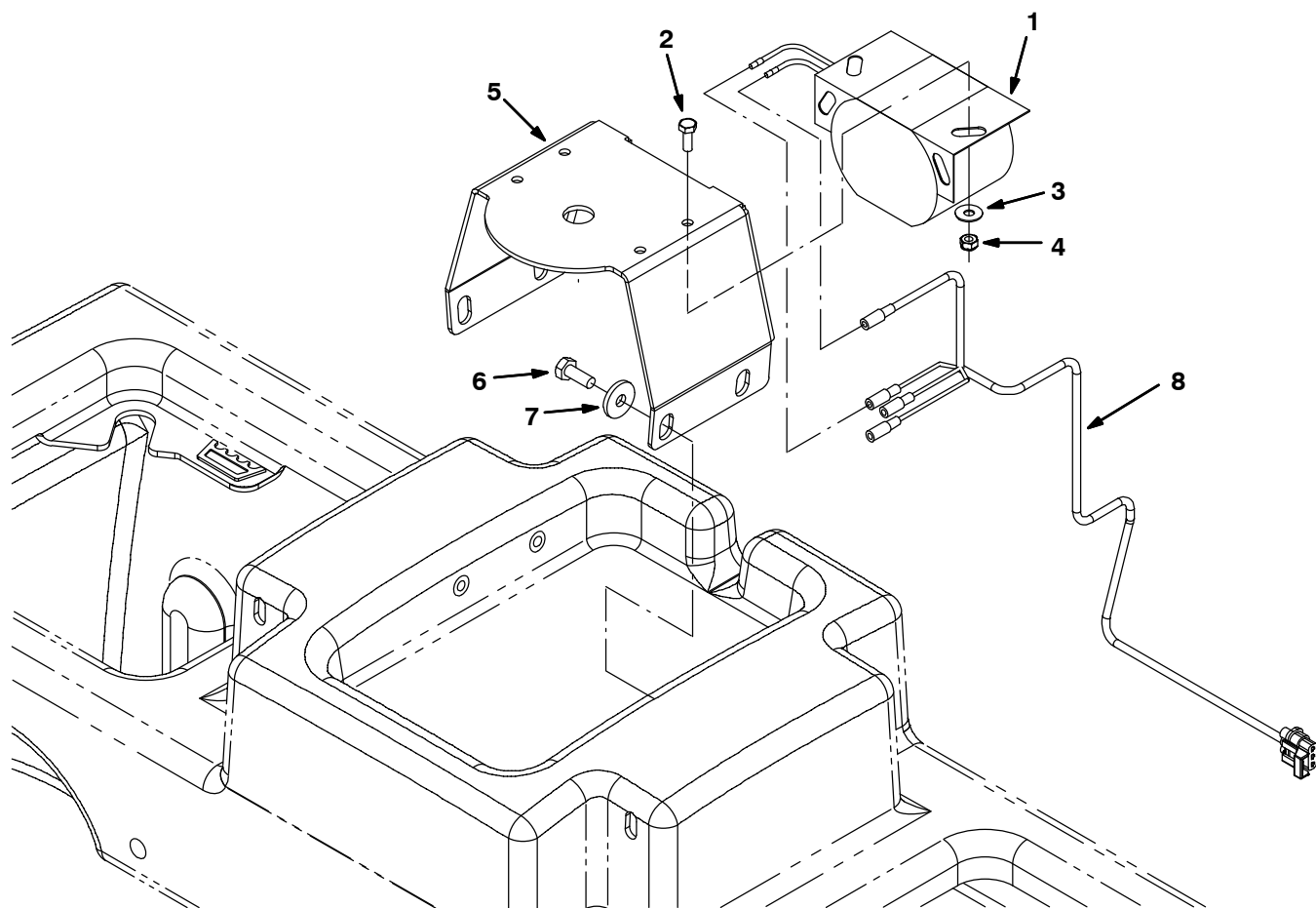


Fig. 22 – ec-H20 Wire Harnesses Group

Ref.	Part No.	Serial Number	Description	Qty.
1	1071947	(000000–) Harness, Wire [Ec-H2o, Mako, 2.0l & Dsl]	1
2	1060871	(000000–) Harness, Wire [Ec-H2o]	1
3	1060880	(000000–) Resistor, Ele, Plug [430 , 2w]	1
4	1060881	(000000–) Capacitor, Plug [4700uf, 25v]	1

Fig. 23 – Backup Alarm Kit



354473

Ref.	Part No.	Serial Number	Description	Qty.
▽	9001321	(000000–) Alarm Kit, Backup, Ci [M20 And T20]	1
▲	1 9007131	(000000–) Alarm Assy, Backup, 12/48Vdc	1
▲	2 24196	(000000–) Screw, Pan, Phl, M5 X 0.80 X 20, Ss	2
▲	3 19066	(000000–) Washer, Flat, 10	2
▲	4 09739	(000000–) Nut, Hex, Lock, M5 X 0.80, NI, Ss	2
▲	5 1019445	(000000–) Bracket, Sppt, Strobe Light	1
▲	6 09740	(000000–) Screw, Hex, M8 X 1.25 X 20, Ss	4
▲	7 1017218	(000000–) Washer, Flat, 0.32b 1.00d .12, Ss	4
▲	8 1019971	(000000–) Harness, Warning / Backup [M20 & T20]	1

Fig. 24 – Light Kit, Flashing

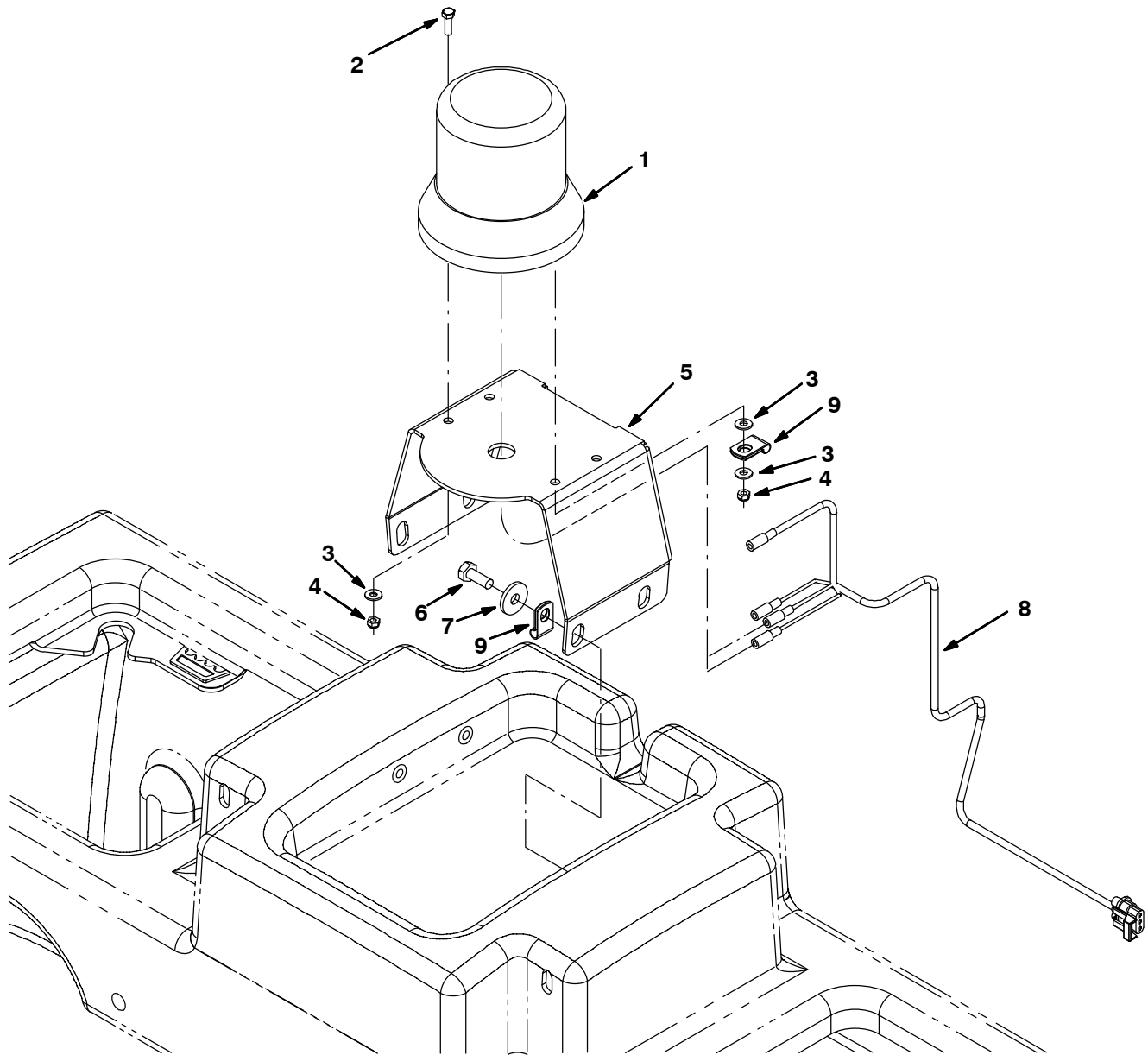


Fig. 24 – Light Kit, Flashing

	Ref.	Part No.	Serial Number	Description	Qty.
▽		9001327	(000000–) Light Kit, Flsh, Ci [M20 And T20]	1
▲▽	1	1017248	(000000–) Lamp, Flasher, Amb [12–48 Vdc]	1
▲▲		9000879	(000000–) Lens, Lamp, Amb, Strobe/Flasher	1
▲▲		9000846	(000000–) Lamp, Bulb, Flsh	1
▲▲		1027800	(000000–) Lens, Blue, Option, F/ Strobe / Flsh Light	1
▲▲		1027798	(000000–) Lens, Red, Option, F/ Strobe / Flsh Light	1
▲		55272	(000000–) Terminal, Bullet, Mal, .157d, 12ga	2
▲	2	24196	(000000–) Screw, Pan, Phl, M5 X 0.80 X 20, Ss	2
▲	3	19066	(000000–) Washer, Flat, 10	2
▲	4	09739	(000000–) Nut, Hex, Lock, M5 X 0.80, NI, Ss	2
▲	5	1019445	(000000–) Bracket, Sppt, Strobe Light	1
▲	6	09740	(000000–) Screw, Hex, M8 X 1.25 X 20, Ss	4
▲	7	1017218	(000000–) Washer, Flat, 0.32b 1.00d .12, Ss	4
▲	8	1019971	(000000–) Harness, Warning / Backup [M20 & T20]	1
▲	9	46236	(000000–) Clamp, Cable, Stl, 0.25D X 0.56W, 1Hole	2

Fig. 25 - Light Kit, Strobe

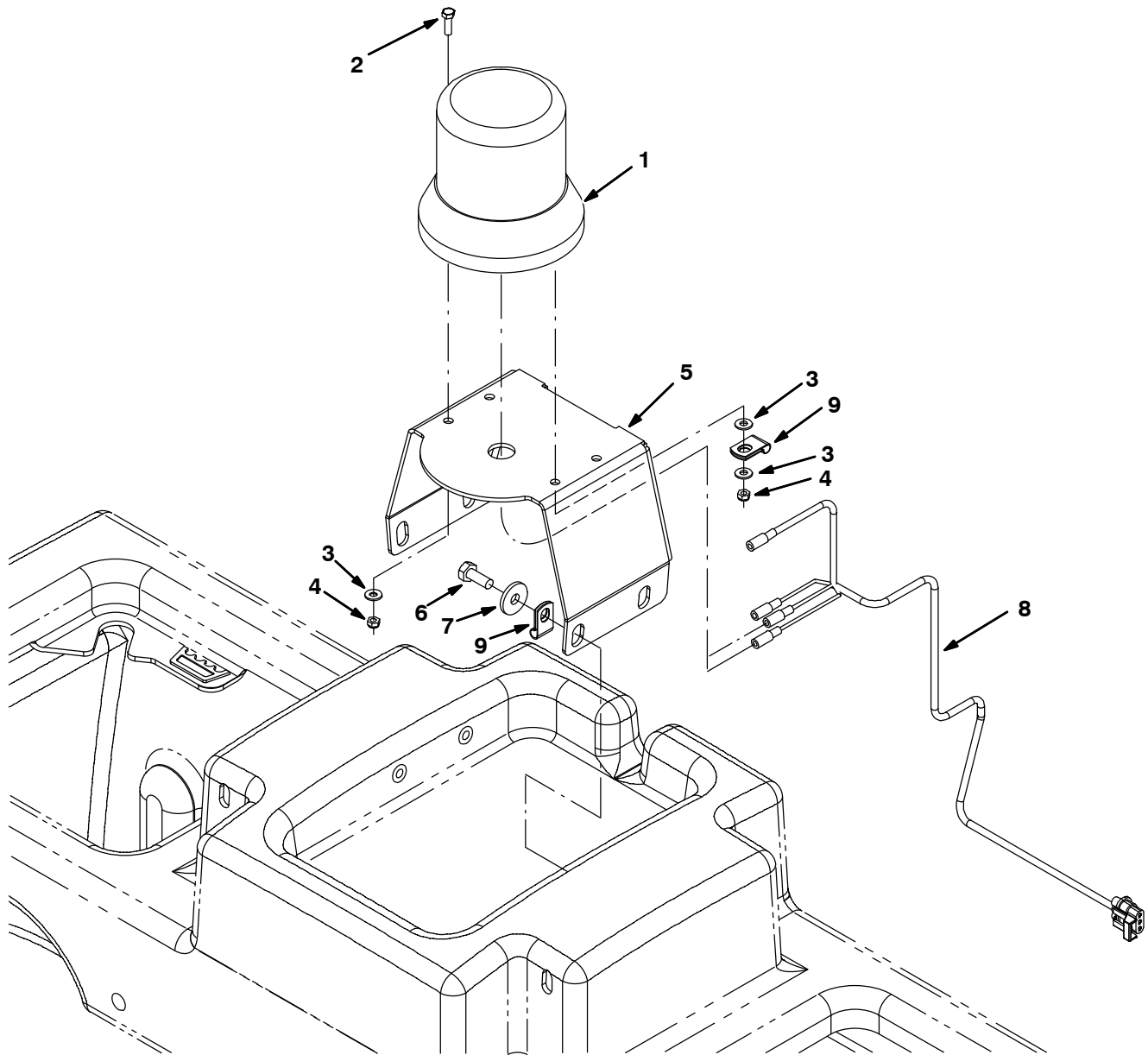
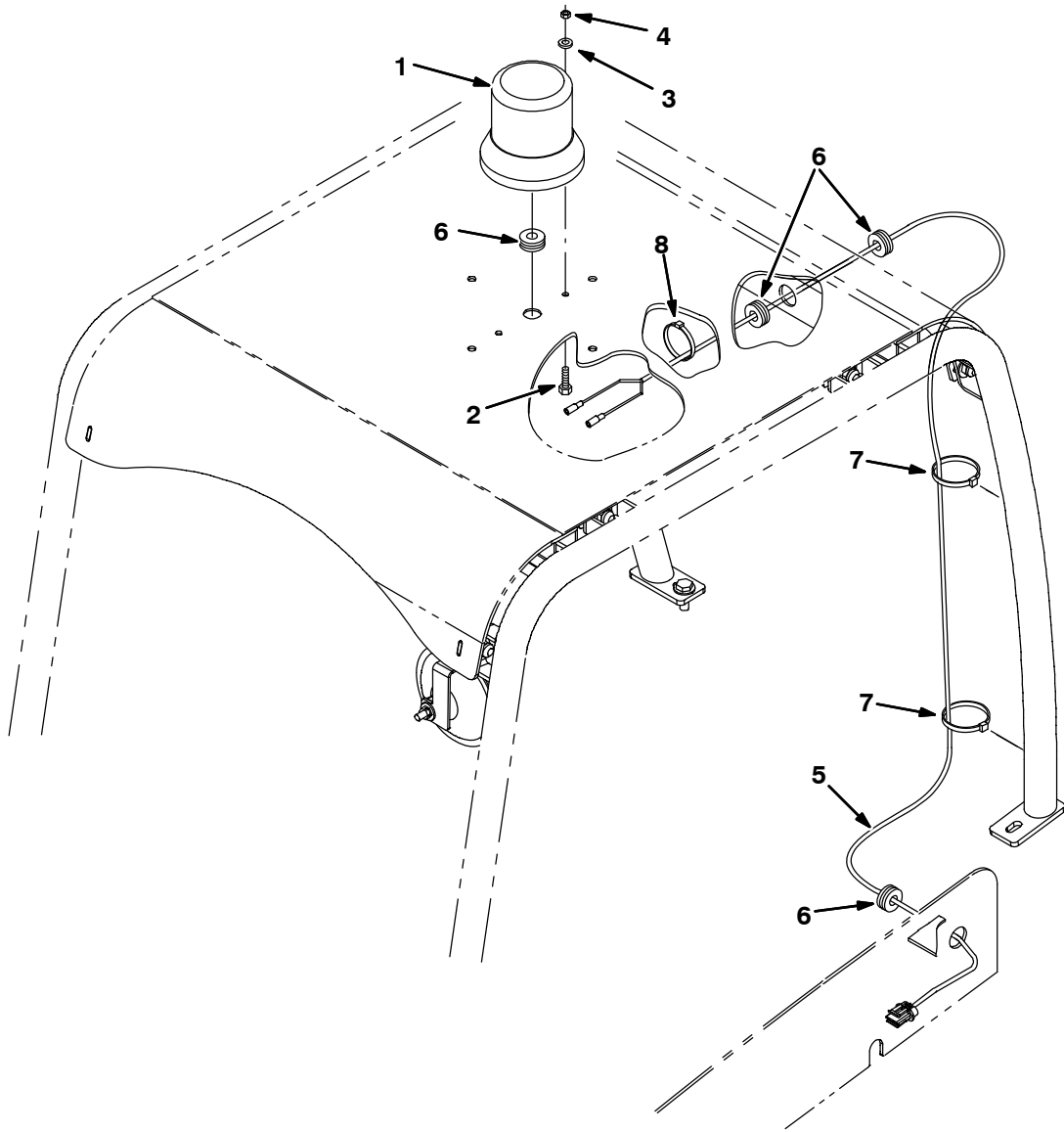


Fig. 25 - Light Kit, Strobe

	Ref.	Part No.	Serial Number	Description	Qty.
▽		9001331	(000000-) Light Kit, Strobe, Ci [M20 And T20]	1
▲▽	1	1017250	(000000-) Lamp Strobe, Amb [12-48 Vdc]	1
▲▲		9000879	(000000-) Lens, Lamp, Amb, Strobe/Flasher	1
▲▲		9000845	(000000-) Lamp, Bulb, Strobe	1
▲▲		1027800	(000000-) Lens, Blue, Option, F/ Strobe / Flsh Light	1
▲▲		1027798	(000000-) Lens, Red, Option, F/ Strobe / Flsh Light	1
▲		55272	(000000-) Terminal, Bullet, Mal, .157d, 12ga	2
▲	2	24196	(000000-) Screw, Pan, Phl, M5 X 0.80 X 20, Ss	2
▲	3	19066	(000000-) Washer, Flat, 10	2
▲	4	09739	(000000-) Nut, Hex, Lock, M5 X 0.80, NI, Ss	2
▲	5	1019445	(000000-) Bracket, Sppt, Strobel Light	1
▲	6	09740	(000000-) Screw, Hex, M8 X 1.25 X 20, Ss	4
▲	7	1017218	(000000-) Washer, Flat, 0.32b 1.00d .12, Ss	4
▲	8	1019971	(000000-) Harness, Warning / Backup [M20 & T20]	1
▲	9	46236	(000000-) Clamp, Cable, Stl, 0.25D X 0.56W, 1Hole	2

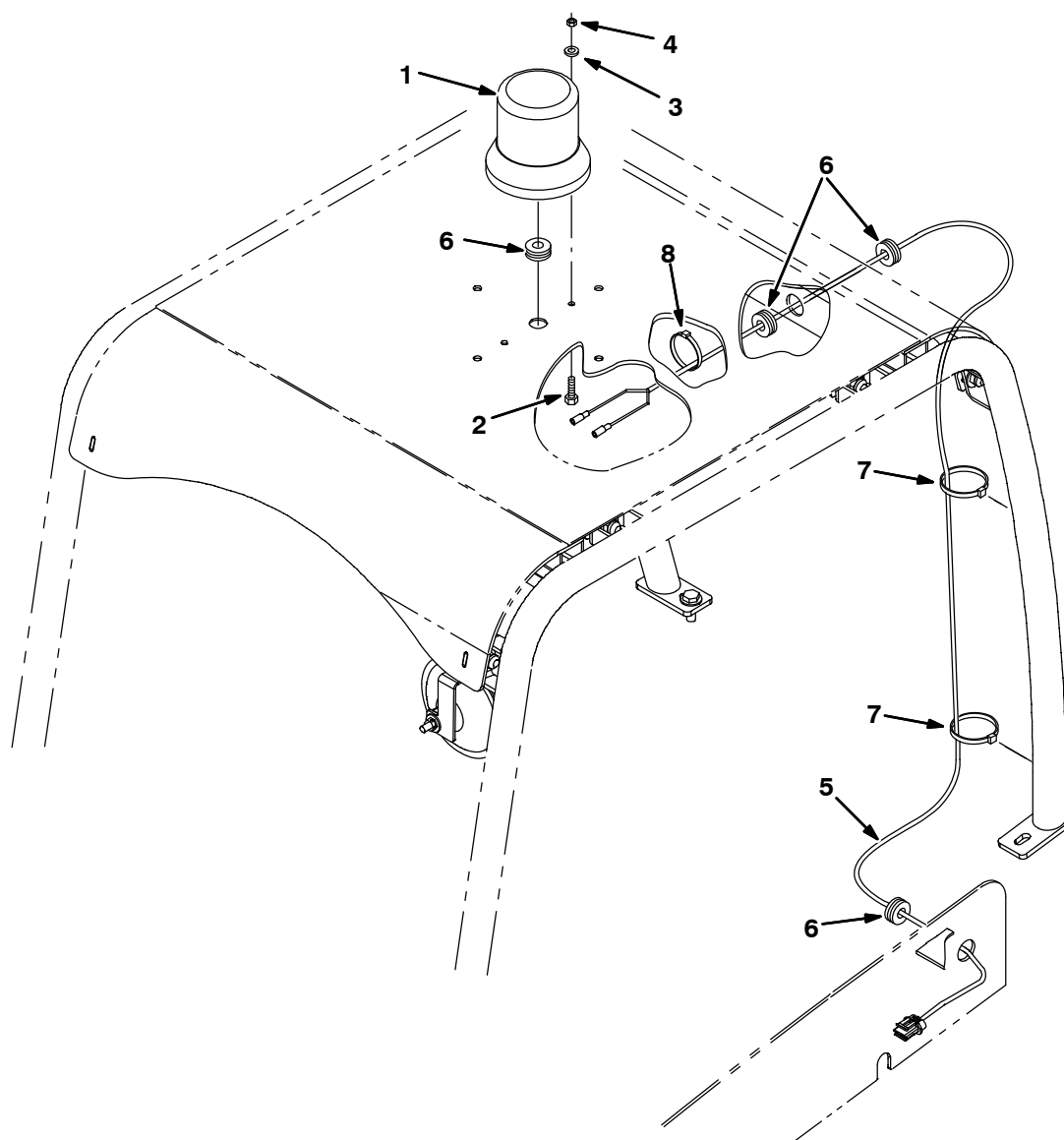
Fig. 26 – Light Kit, Flashing Overhead Guard



354477

Ref.	Part No.	Serial Number	Description	Qty.
▽	9001718	(000000–) Light Kit, Flsh, W/Ohg, Ci[M20 And T20]	1
▲▽	1 1017248	(000000–) Lamp, Flasher, Amb [12–48 Vdc]	1
▲▲	9000879	(000000–) Lens, Lamp, Amb, Strobe/Flasher	1
▲▲	9000846	(000000–) Lamp, Bulb, Flsh	1
▲▲	1027800	(000000–) Lens, Blue, Option, F/ Strobe / Flsh Light	1
▲▲	1027798	(000000–) Lens, Red, Option, F/ Strobe / Flsh Light	1
▲	55272	(000000–) Terminal, Bullet, Mal, .157d, 12ga	2
▲	2 24196	(000000–) Screw, Pan, Phl, M5 X 0.80 X 20, Ss	2
▲	3 19066	(000000–) Washer, Flat, 10	2
▲	4 09739	(000000–) Nut, Hex, Lock, M5 X 0.80, NI, Ss	2
▲	5 1019647	(000000–) Harness, Warning / Ohg [M20]	1
▲	6 10632–17	(000000–) Grommet, Rbr, 0.50id, F/0.8h, .12 Matl	4
▲	7 763115	(000000–) Tie, Cable, 6.0l, 1.25d Max	4
▲	8 49266	(000000–) Tie, Cable, Nyl, 07.3l .19w 1.8 Max D	2

Fig. 27 – Light Kit, Strobe Overhead Guard



354477

Ref.	Part No.	Serial Number	Description	Qty.
▽	9001717	(000000–) Light Kit, Strobe, W/Ohg, Ci [M20 And T20]	1
▲▽	1 1017250	(000000–) Lamp Strobe, Amb [12–48 Vdc]	1
▲▲	9000879	(000000–) Lens, Lamp, Amb, Strobe/Flasher	1
▲▲	9000845	(000000–) Lamp, Bulb, Strobe	1
▲▲	1027800	(000000–) Lens, Blue, Option, F/ Strobe / Flsh Light	1
▲▲	1027798	(000000–) Lens, Red, Option, F/ Strobe / Flsh Light	1
▲	55272	(000000–) Terminal, Bullet, Mal, .157d, 12ga	2
▲	2 24196	(000000–) Screw, Pan, Phl, M5 X 0.80 X 20, Ss	2
▲	3 19066	(000000–) Washer, Flat, 10	2
▲	4 09739	(000000–) Nut, Hex, Lock, M5 X 0.80, NI, Ss	2
▲	5 1019647	(000000–) Harness, Warning / Ohg [M20]	1
▲	6 10632–17	(000000–) Grommet, Rbr, 0.50id, F/0.8h, .12 Matl	4
▲	7 763115	(000000–) Tie, Cable, 6.0l, 1.25d Max	4
▲	8 49266	(000000–) Tie, Cable, Nyl, 07.3l .19w 1.8 Max D	2

Fig. 28 – Overhead Guard Kit

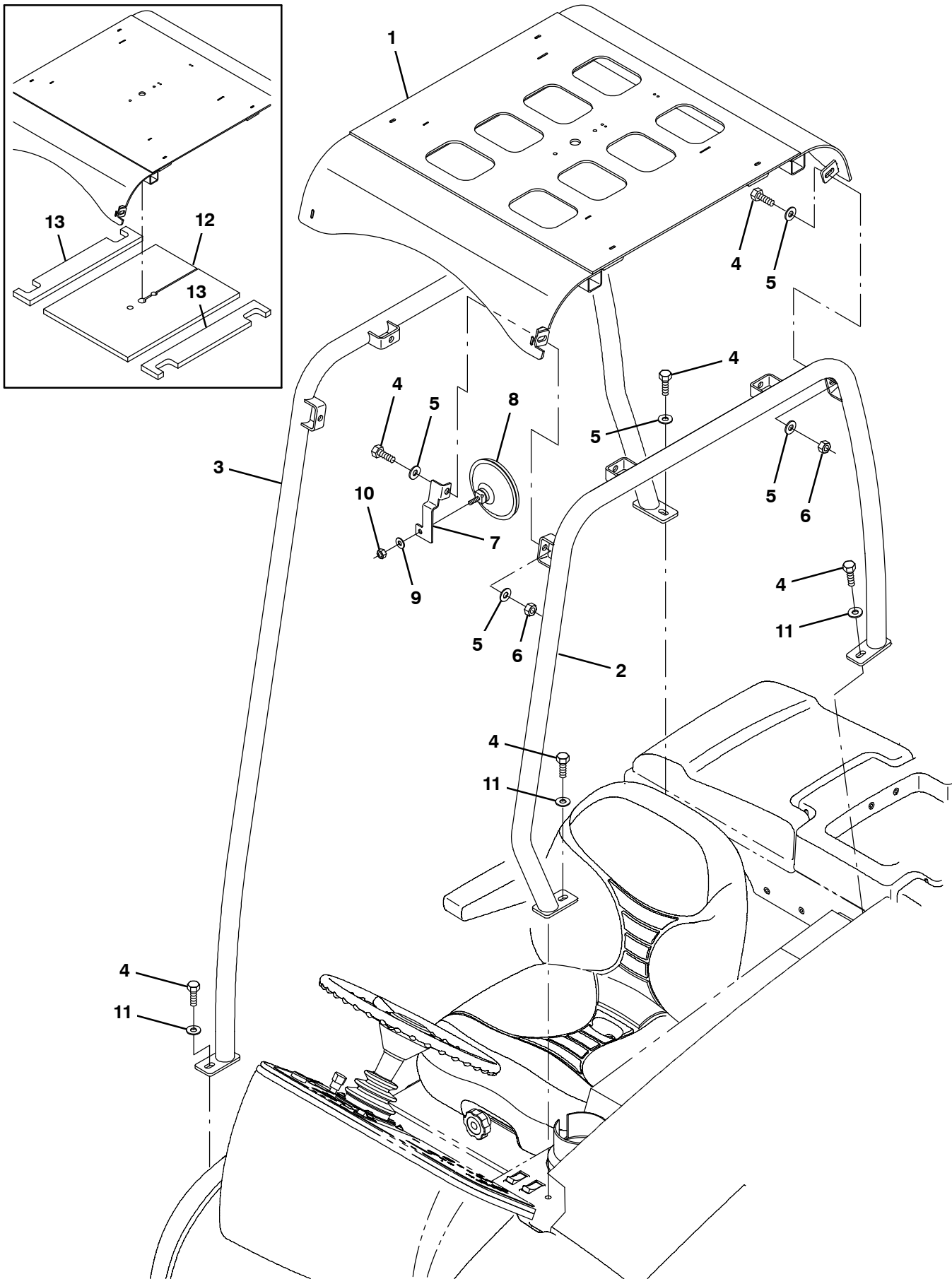


Fig. 28 – Overhead Guard Kit

	Ref.	Part No.	Serial Number	Description	Qty.
▽		9001314	(000000–) Ohg Kit, Ci [M20 And T20]	1
▲	1	1022276	(000000–) Guard Wldt, Top, Ohg	1
▲	2	1069241	(000000–) Tube Wldt, Leg, Ohg, Lh, Pntd	1
▲	3	1069253	(000000–) Tube Wldt, Leg, Ohg, Rh, Pntd	1
▲	4	03192	(000000–) Screw, Hex, M10 X 1.5 X 30, 8.8	12
▲	5	32492	(000000–) Washer, Flat, 0.38 Std	17
▲	6	41430	(000000–) Nut, Hex, Lock, M10 X 1.5, NI	8
▲	7	1023879	(000000–) Bracket, Mtg, Mirror, Rearview	1
▲	8	1050295	(000000–) Mirror, Convex, 0.50D	1
▲	9	32491	(000000–) Washer, Flat, 0.31, Std	1
▲	10	19313	(000000–) Nut, Hex, Std, .31–18	1
▲	11	1014563	(000000–) Washer, Flat, 0.40b 1.12d .12, Ss	3
	12	1032830	(000000–006913) Insulation	1
	13	1032831	(000000–006913) Insulation	2

Fig. 29 – Telemetry Group

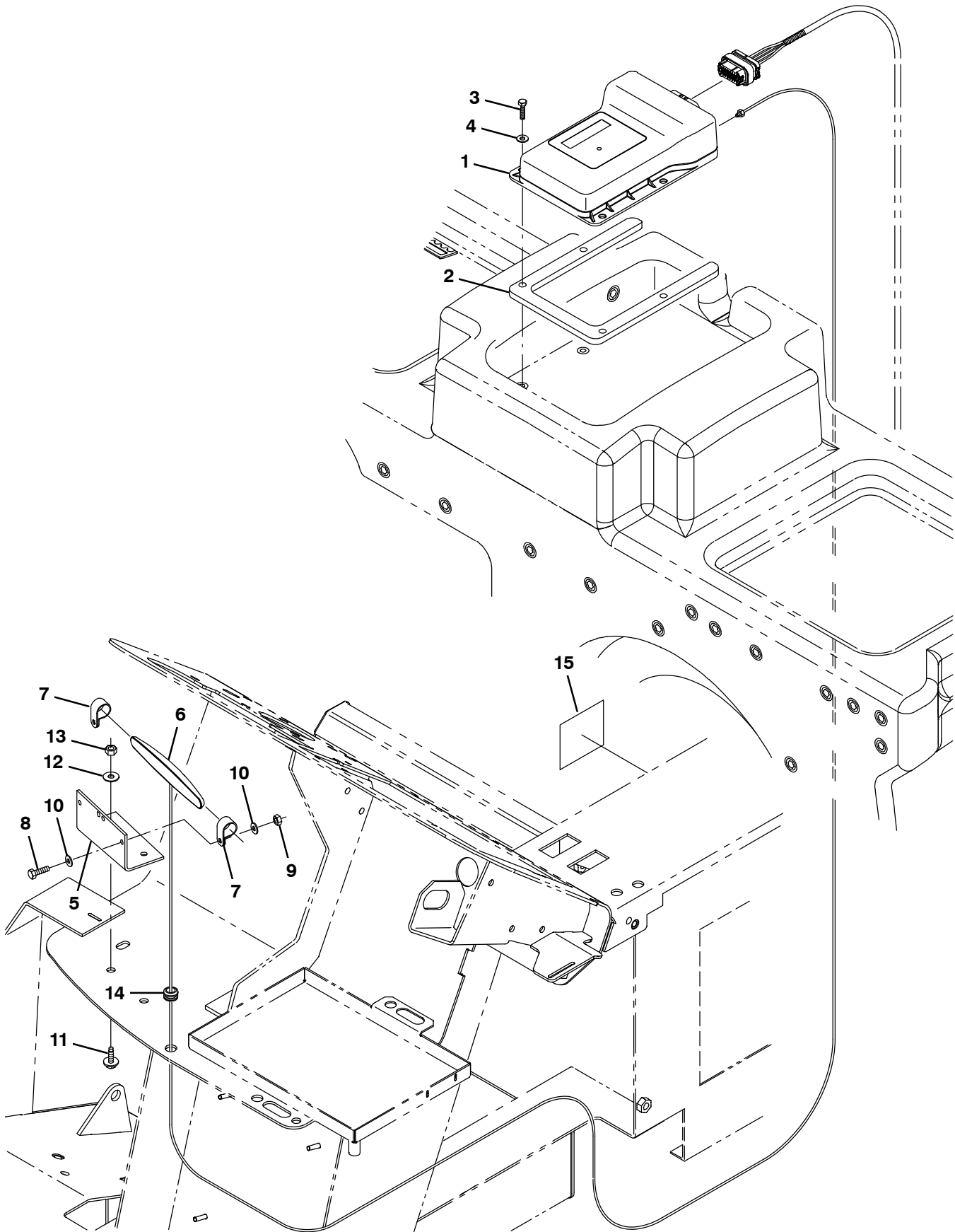
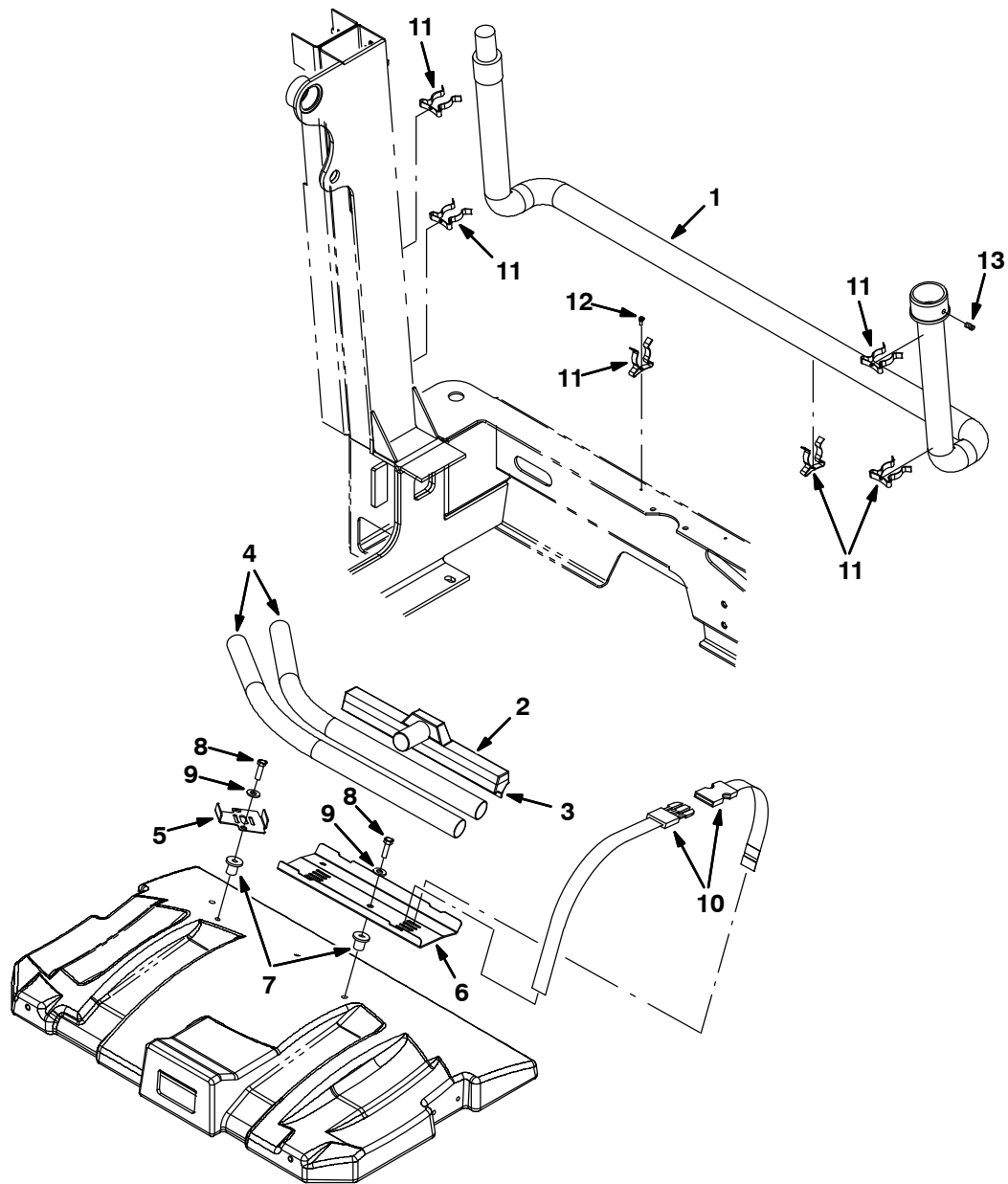


Fig. 29 - Telemetry Group

Ref.	Part No.	Serial Number	Description	Qty.
1	9010085	(000000-) Control Box Assy Kit, Replmt, Telem [USA]	1
1	9010086	(000000-) Control Box Assy Kit, Replmt, Telem [CAN]	1
2	1071062	(000000-) Bracket, Spacer, Controlbox	1
3	09252	(000000-) Screw,Hex, M5 X 0.80 X 29, 8.8	4
4	01683	(000000-) Washer, Flat, 10, Ss	4
5	1070402	(000000-) Angle, mtg, Antenna, Telem	1
6	1070659	(000000-) Antenna, Telem, 70 In [Gprs]	1
7	140916	(000000-) Clamp, Cable, Nyl, 0.62D, Nat	2
8	24199	(000000-) Screw, Hex, M5 X 0.80 X 16, Ss	2
9	06549	(000000-) Nut, Hex, Lock, M5 X 0.80, NI	2
10	01683	(000000-) Washer, Flat, 10, Ss	4
11	1040467	(000000-) Screw, hex, H6 X 1.00 X 20, 9.8, Sems	2
12	01684	(000000-) Washer, Flat, 0.27B 0.69D .05, Ss	2
13	08712	(000000-) Nut, hex, Lock, M6 X 1.00, NI, Ss	2
14	10632-12	(000000-) Grommet, Rbr, 0.38id, F/0.5H, .12 Matl	1
15	1069580	(000000-) Label, Opertnl, Telem [Fcc/lc]	1

Fig. 31 – Vacuum Wand Kit (000000–002406)



354479

Ref.	Part No.	Serial Number	Description	Qty.
▽	9001334	(000000–002406)	Wand Kit, Vacuum, Ci [M20]	1
▲	1 69657	(000000–002406)	Hose Assy, W/2cuff, 1.5d 84l [Vacwand]	1
▲	2 63451	(000000–002406)	Nozzle, Wand, Plstc, 14.0lg	1
▲	3 63430	(000000–002406)	Shoe, Plstc, Sqge, 14.0	1
▲	4 63448	(000000–002406)	Tube, Wand, Vacuum, Metal [1pick=1box]	1
▲	5 1030549	(000000–002406)	Bracket, Mtg, Vacuum Wand	1
▲	6 1026146	(000000–002406)	Plate, Mtg, Vacuum Wand	1
▲	7 397648	(000000–002406)	Nut, Isolator, .38–16 Wall Th .015–.437	4
▲	8 21198	(000000–002406)	Screw, Hex, .38–16 X 1.25, 5	4
▲	9 32492	(000000–002406)	Washer, Flat, 0.38 Std	4
▲	10 367974	(000000–002406)	Strap, Pyp, 0.07 1.0w 18.5l, W/ Buckle	3
▲	11 67004	(000000–002406)	Clip, Grip, Finger, 1.00–1.88d White,Vyl	6
▲	12 55845	(000000–002406)	Screw, Hex, M5 X 0.8 X 16, Fmg	6
▲	13 69659	(000000–002406)	Plunger	1

Fig. 32 – Vacuum Wand Kit (002407-)

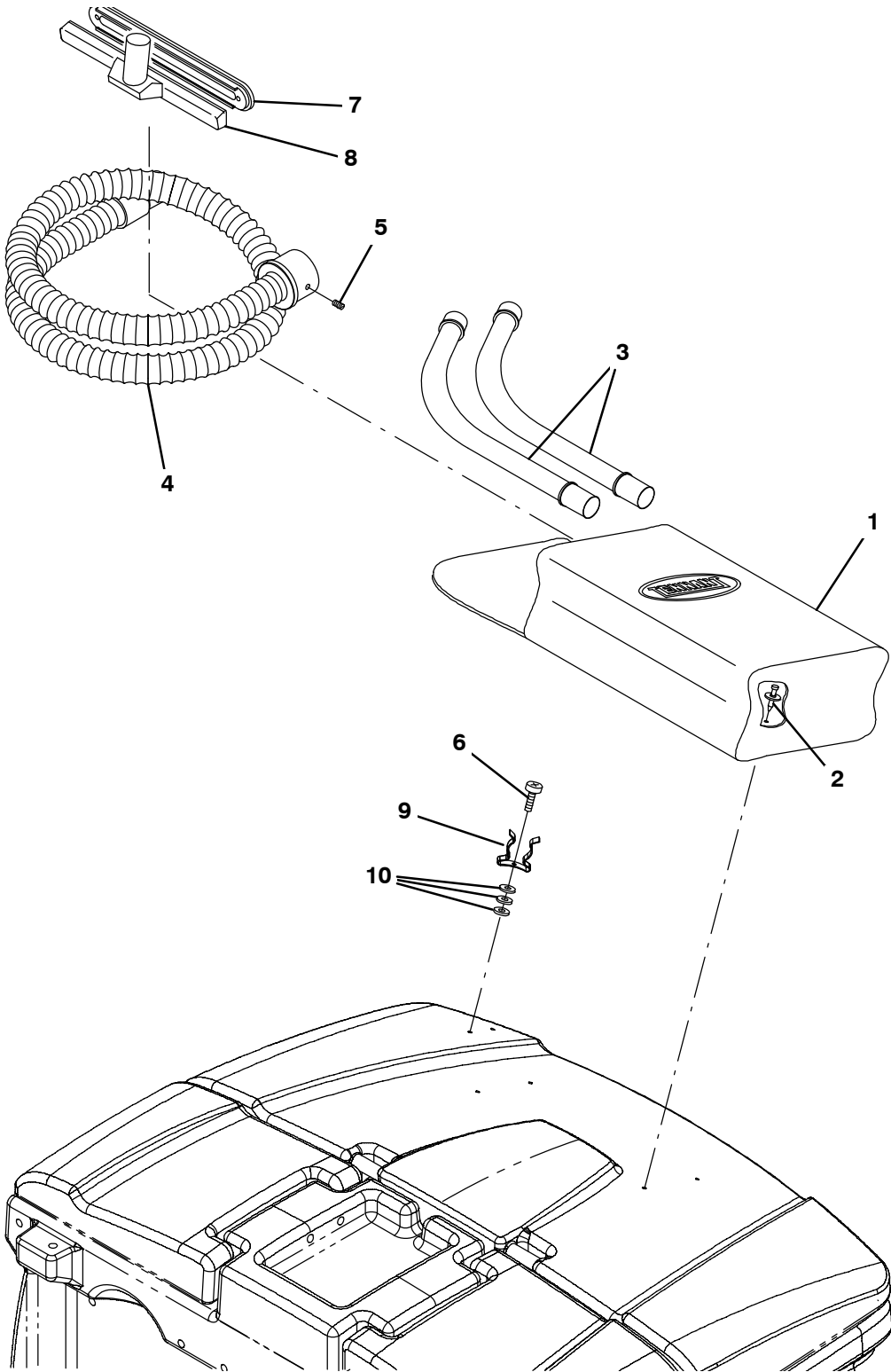


Fig. 32 – Vacuum Wand Kit (002407–)

	Ref.	Part No.	Serial Number	Description	Qty.
▽		9001334	(002407–)	Wand Kit, Vacuum, Ci [M20]	1
▲	1	65580	(002407–)	Bag, Power	1
▲	2	72968	(002407–)	Rivet, Plstc, .250d X 0.90	4
▲	3	63448	(002407–)	Tube, Wand, Vacuum, Metal	1
▲	4	69657	(002407–)	Hose Assy, W/2cuff, 1.5d 084l [Vacwand]	1
▲	5	69659	(002407–)	Plunger	1
▲	6	55845	(002407–)	Screw, Hex, M5 X 0.80 X 16, Fmg	2
▲	7	63430	(002407–)	Shoe, Plstc, Sqge, 14.0	1
▲	8	63451	(002407–)	Nozzle, Wand, Plstc, 14.0l	1
▲	9	67004	(002407–)	Clip, Grip, Finger, 1.00–1.88d White,Vyl	2
▲	10	19064	(002407–)	Washer, Flat, 06	6

Fig. 33 - Spray Nozzle Kit

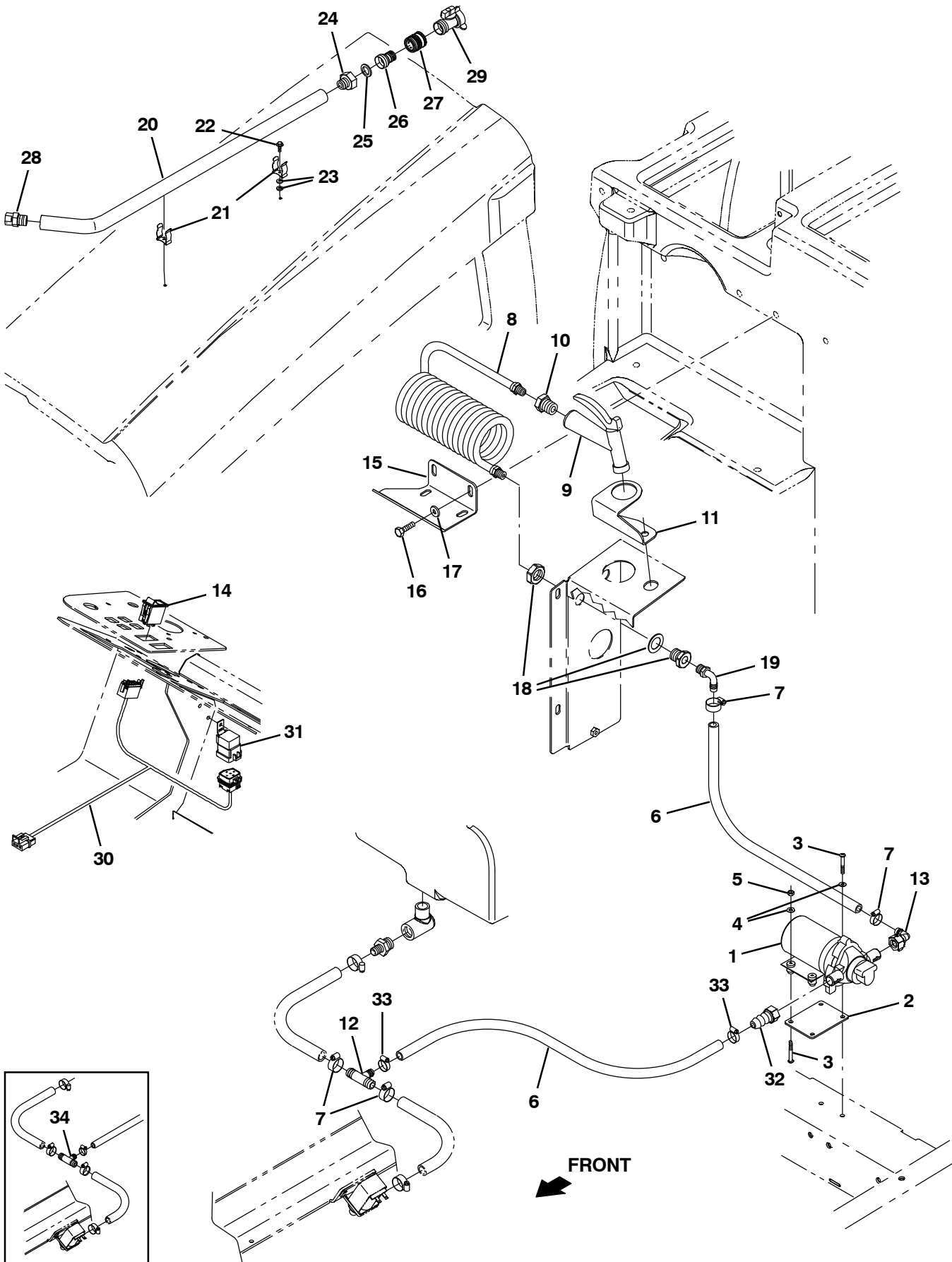


Fig. 33 – Spray Nozzle Kit

Ref.	Part No.	Serial Number	Description	Qty.
▽	9001310	(000000–) Nozzle Kit, Spray, Ci	1
▲	1 1026743	(000000–) Pump, Diaphragm (See Breakdowns)	1
▲	2 1027007	(000000–) Plate, Mtg, Pump	1
▲	3 06939	(000000–) Screw, Pan, M5 X 0.80 X 45, 4.8	4
▲	4 19066	(000000–) Washer, Flat, #10	4
▲	5 06549	(000000–) Nut, Hex, Lock, M5 X 0.80, NI	2
▲	6 1015045	(000000–) Hose, Afmkt, Pvc, Brd, 0.75id, 08ft, Clr	1
▲	7 63810	(000000–) Clamp, Hose, Wormdrive, 0.56–1.06d, .56w	4
▲	8 1019250	(000000–) Hose, Water, Coil	1
▲	9 769785	(000000–) Nozzle, Spray, Gun	1
▲	10 1027976	(000000–) Fitting, Brs, Str, Pf06/Pm12	1
▲	11 1027237	(000000–) Bracket, Mtg, Spray Handle	1
▲	12 1015486	(007260–) Fitting, Plstc, Tee, Bm08/Bm10/Bm10, Br	1
▲	13 1018499	(000000–) Fitting, Plstc, E90, Bm08/Pf08s, Swivel	1
▲	14 398500	(000000–) Switch, Rocker, Dpdt On/None/On	1
▲	15 1029790	(000000–) Bracket, Mtg, Spray Wand [FaST, Conv]	1
▲	16 09740	(000000–) Screw, Hex, M8 X 1.25 X 20, Ss	2
▲	17 1017218	(000000–) Washer, Flat, 0.32b 1.00d .12, Ss	2
▲	18 1027978	(000000–) Fitting, Brs, Str, Pf06/Pf06 Bh	1
▲	19 64778	(000000–) Fitting, Plstc, E90, Bm08/Pm06	1
▲	20 1029055	(000000–) Wand, Clean-Out	1
▲	21 1029057	(000000–) Clip, Grip, Finger, .875–1.25	2
▲	22 20394	(000000–) Screw, Hex, #10–16 X 0.62, Fmg [Ab]	2
▲	23 01683	(000000–) Washer, Flat, #10, Ss	4
▲	24 375321	(000000–) Fitting, Brs, Str, Pm08/Garden Hose	1
▲	25 01316	(000000–) Washer, Flat, 0.66b 1.00d .12, Rbr	1
▲	26 1029153	(000000–) Nipple, Hose	1
▲	27 1029155	(000000–) Coupling, Nozzle, Spray	1
▲	28 1029156	(000000–) Nozzle	1
▲	29 1029399	(000000–) Valve, Shutoff	1
▲	30 1021881	(000000–) Harness, Spray, Nozzle	1
▲	31 56186	(000000–) Relay, 12vdc, 40a, Spdt N/O	1
▲	32 1018495	(000000–) Fitting, Plstc, Str, Bm08/Pf08s, Swivel	1
▲	33 54333	(000000–) Clamp, Hose, Wormdrive, 0.31–0.88d, .31w	2
▲	34 385644	(000000–007259) Fitting, Plstc, Tee, Bm08/Bm12/Bm12, Br	1

Fig. 34 – Transport Kit

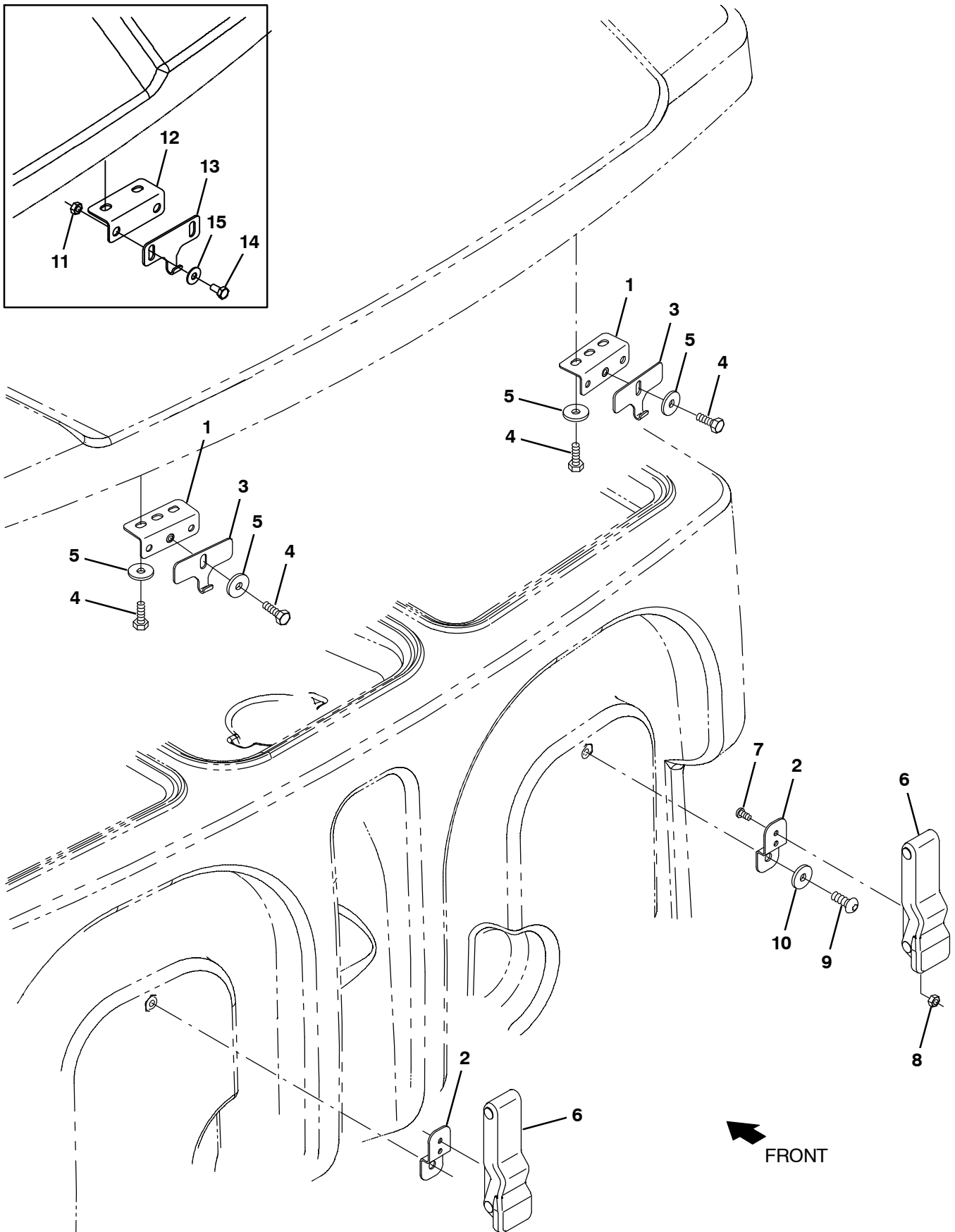


Fig. 34 – Transport Kit

	Ref.	Part No.	Serial Number	Description	Qty.
▽		9014867	(002473–) Transport Kit, Ci [M20/M30}	1
▲	1	1040800	(002473–) Bracket, Latch, Cover	2
▲	2	1020526	(000000–) Bracket, Retaining, Hose	2
▲	3	1040634	(002473–) Plate, Hook, Latch	2
▲	4	09744	(002473–) Screw, Hex, M6 X 1.00 X 12, Ss	6
▲	5	01684	(002473–) Washer, Flat, 0.27b 0.69d .05, Ss	6
▲	6	360824	(000000–) Latch	2
▲	7	09200	(000000–) Screw, Pan, Phl, M5 X 0.80 X 12, Ss	4
▲	8	09739	(000000–) Nut, Hex, Lock, M5 X 0.80, NI, Ss	4
▲	9	393135	(000000–) Screw, Btn, M8 X 1.25 X 20, Blk	2
▲	10	32491	(000000–) Washer, Flat, 0.31, Std	2
	11	08712	(000000–002472) Nut, Hex, Lock, M6 X 1.00, NI, Ss	4
	12	1032869	(000000–002472) Bracket, Latch, Cover	2
	13	1032896	(000000–002472) Plate, Hook, Latch, [M20]	2
	14	09744	(000000–002472) Screw, Hex, M6 X 1.0 X 12, Ss	4
	15	01684	(000000–002472) Washer, Flat, 0.25, Ss	4

Fig. 35 – Squeegee Guard Kit

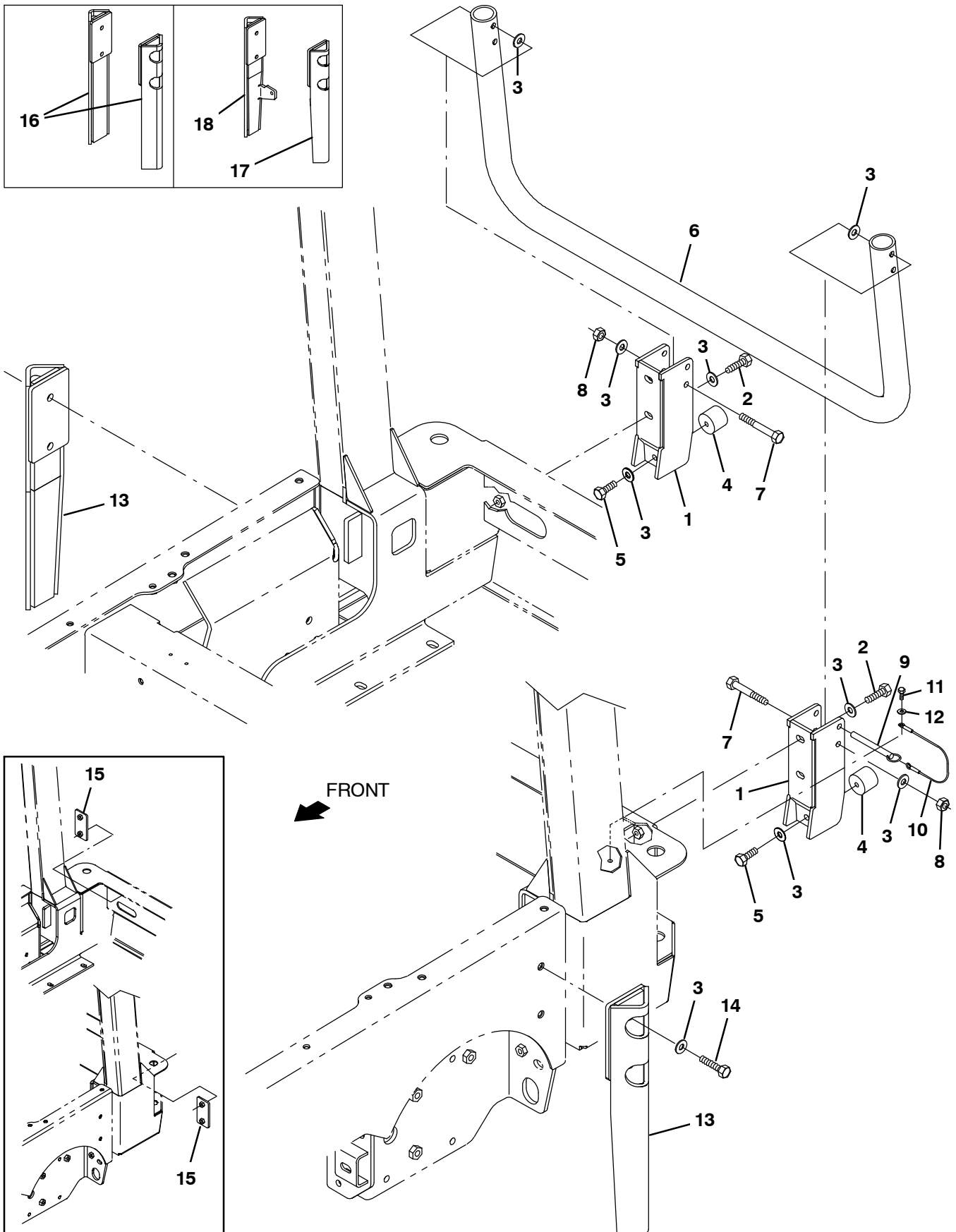


Fig. 35 - Squeegee Guard Kit

	Ref.	Part No.	Serial Number	Description	Qty.
▽		9001338	(000000-) Guard Kit, Sqge, Ci [M20]	1
▲	1	1027560	(000000-) Bracket Wldt, Guard, Sqge	2
▲	2	39284	(000000-) Screw, Hex, M10 X 1.5 X 35, 8.8	4
▲	3	32492	(000000-) Washer, Flat, 0.38 Std	14
▲	4	1024977	(000000-) Bumper, Ure, 1.50d 1.25l	2
▲	5	21196	(000000-) Screw, Hex, .38-16 X 0.88, 5	2
▲	6	1056195	(000000-) Guard Wldt, Pntd [M20/T20]	1
▲	7	06965	(000000-) Screw, Hex, M10 X 1.5 X 80, 8.8	2
▲	8	41430	(000000-) Nut, Hex, Lock, M10 X 1.5, NI	2
▲	9	369359	(000000-) Pin, Hitch, .375d X 3.12l, PI	1
▲	10	57702	(000000-) Cable, Glv .06d 012.0l .26eye /.26eye	1
▲	11	09738	(000000-) Screw, Hex, M5 X 0.8 X 12, Ss	1
▲	12	01683	(000000-) Washer, Flat, #10, Ss	1
▲	13	1045444	(xxxxxx-) Guard Wldt, Sqge [M20/T20/M30]	2
▲	14	06962	(000000-) Screw, Hex, M10 X 1.5 X 45, 8.8	4
	15	1029543	(000000-004292) Plate, Mtg	2
	16	1025663	(000000-002435) Guard Wldt, Sqge	2
	17	1040863	(002436-xxxxxx) Guard Wldt, Sqge [M20/T20 Lh, M30 Rh]	1
	18	1040871	(002436-xxxxxx) Guard Wldt, Sqge [M20/T20 Rh, M30 Lh]	1

Fig. 36 – Engine Radiator Screen Kit (003039-005999)

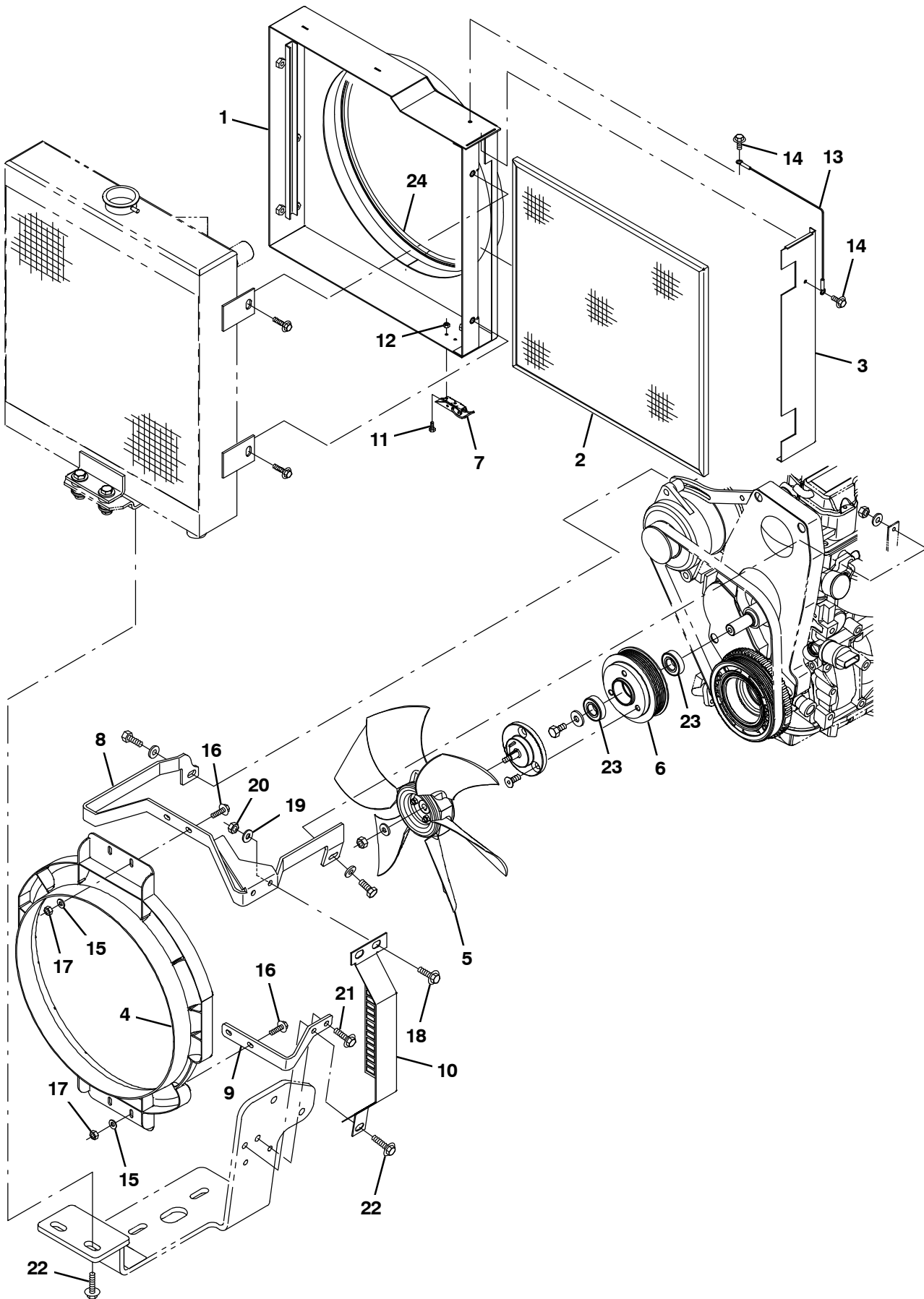
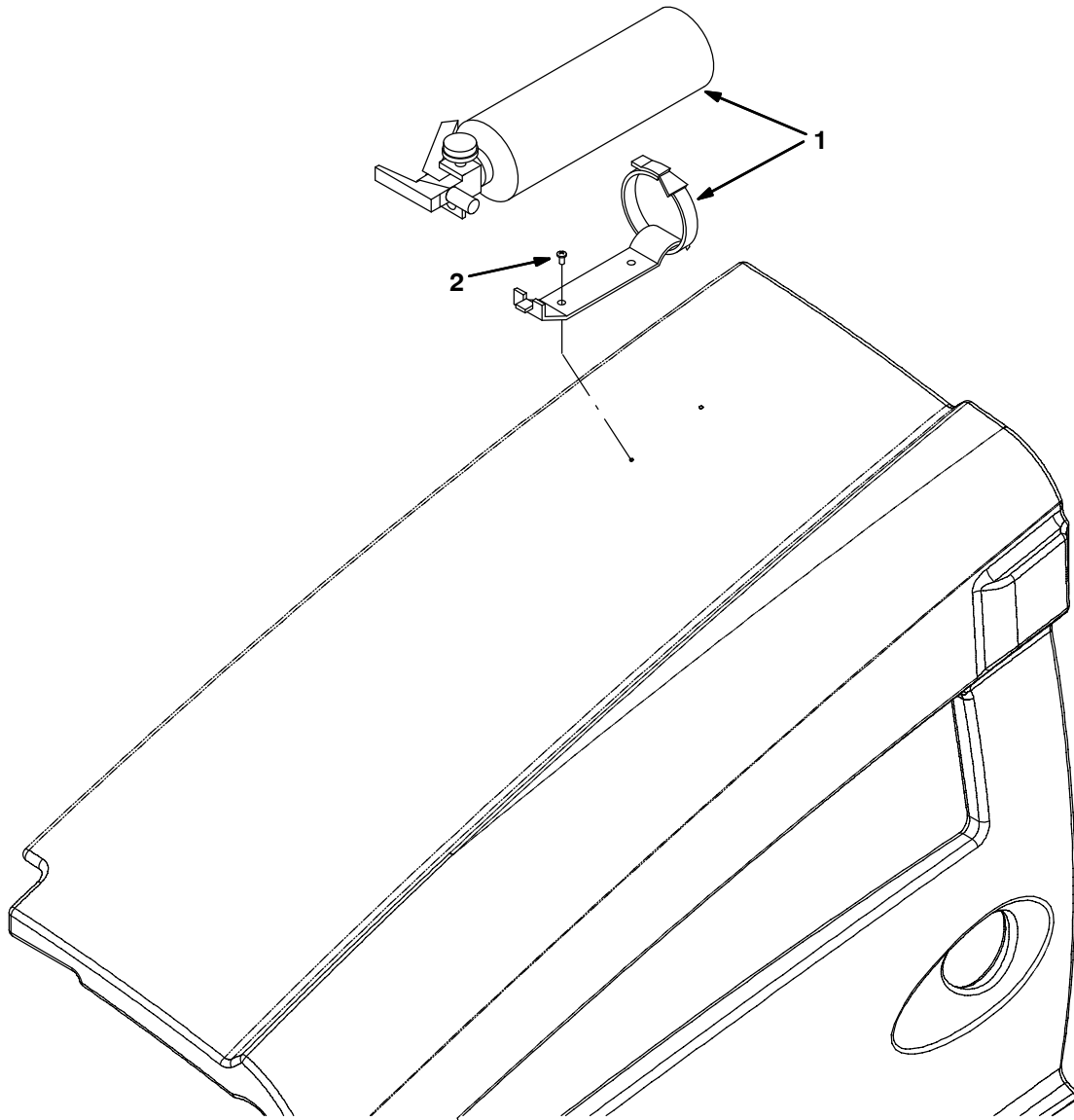


Fig. 36 – Engine Radiator Screen Kit (03039–005999)

Ref.	Part No.	Serial Number	Description	Qty.
▽	9010988	(003039–005999)	Rad Screen Kit, Replmt [M/T20,M30 G/Lp]	1
▲	1 1071041	(003039–005999)	Bracket Wldt, Radiator, Fan, Gas/Lpg	1
▲	2 1071033	(003039–005999)	Frame Wldt, Screen, Rad	1
▲	3 1071047	(003039–005999)	Plate, Cover, Screen	1
▲	4 1054428	(003039–005999)	Shroud, Fan	1
▲	5 1031566	(003039–005999)	Fan, Cooling, 14.1d, 6 Blade, 0.5b Taper	1
▲	6 1072505	(003039–005999)	Sheave, Mach [Gm1.6l 2615rpm Fan]	1
▲	7 1051534	(003039–005999)	Concept, Latch	1
▲	8 1058777	(003039–005999)	Bracket, Shrd, Fan, Upper, Sppt, Gas/Lpg	1
▲	9 1058753	(003039–005999)	Bracket, Shrd, Fan, Lower, Gas/Lpg	1
▲	10 1064443	(003039–005999)	Bracket, Shrd, Radiator, Gas/Lpg, Ce	1
▲	11 1020234	(003039–005999)	Screw, Hex, M4 X 0.70 X 10, Ss	2
▲	12 02850	(003039–005999)	Nut, Hex, Lock, M4 X 0.70, NI	2
▲	13 57702	(003039–005999)	Cable, Glv .06d 012.0l .26eye /.26eye	1
▲	14 361339	(003039–005999)	Screw, Hex, M6 X 1.00 X 16, Fmg	2
▲	15 32483	(003039–005999)	Washer, Flat, 0.25, Sae	6
▲	16 1036892	(003039–005999)	Screw, Hex, M6 X 1.00 X 25, 9.8, Sems	4
▲	17 08708	(003039–005999)	Nut, Hex, Lock, M6 X 1.00, NI	4
▲	18 1037346	(003039–005999)	Screw, Hex, M8 X 1.25 X 25, 9.8, Sems	2
▲	19 32491	(003039–005999)	Washer, Flat, 0.31, Std	2
▲	20 08709	(003039–005999)	Nut, Hex, Lock, M8 X 1.25, NI	2
▲	21 1037354	(003039–005999)	Screw, Hex, M8 X 1.25 X 30, 9.8, Sems	3
▲	22 1037355	(003039–005999)	Screw, Hex, M8 X 1.25 X 35, 9.8, Sems	1
▲	23 1055377	(003039–005999)	Bearing, Ball, 20mm B 42mm D 12mm W	2
▲	24 1048166	(003039–005999)	Seal, Afmkt, Bulb, Str, 0.58d 08ft	1

Fig. 37 – Fire Extinguisher Kit



354484

Ref.	Part No.	Serial Number	Description	Qty.
	9001316	(000000–) Extinguisher Kit, Fire, Ci [M20 And T20]	1
1	25312	(000000–) Extinguisher, Fire, 2.5 Lb Dry	1
2	382320	(000000–) Screw, Pan, #12–16 X 0.50, F/ Plstc	2

Fig. 38 – Documentation Group

Ref.	Part No.	Serial Number	Description	Qty.
	331380	(000000–) Manual, Oprtr [M20 Gas/Lpg En]	1
	1032578	(000000–) Instr, Maint, Wall Chart [M20]	1
	331382	(000000–) Manual, Oprtr [M20 Gas/Lpg, Es, Na]	1
	331383	(000000–) Manual, Oprtr [M20 Gas/Lpg, Fr, Na]	1
	331381	(000000–) Manual, Parts [M20 Gas/Lpg En]	1
	331385	(000000–) Manual, Service [M20 En]	1
	1027759	(000000–) Video, Oprtr, Dvd [W/Checklist M20]	1
	372863	(000000–001999) Manual, Service, Eng[Gm1.6l Em Cert]	1
	371790	(000000–001999) Manual, Service, Eng [Gm1.6l]	1
	9003926	(002000–) Manual, Eng, Cd–Rom [Tier li,Gm1.6l]	1
	9006257	(000000–) Media, Cd–Rom, Training [ec–H2O Tennant]	1
	9010635	(006000–) Manual, Service, Cd–Rom [Mit2.0l]	1



To view, print, order, download the latest Parts manual, other language Operator manuals, and Use and Care Guides (wall charts), visit:

www.tennantco.com/manual

SECTION 4

Contents	Page
Fig. 1 – Extended Scrub Pump Breakdown, 1021210	4-2
Fig. 2 – Hydraulic Motor Breakdown, 379609 . . .	4-4
Fig. 3 – Hydraulic Pump Breakdown, 1024251 .	4-6
Fig. 4 – Hydraulic Motor Breakdown, 71729	4-8
Fig. 5 – Hydraulic Motor Breakdown, 1029379 .	4-9
Fig. 6 – Hydraulic Motor Breakdown, 53485 . . .	4-10
Fig. 7 – Hydraulic Valve Breakdown, 1018936 .	4-11
Fig. 8 – Hydraulic Valve Breakdown, 1018938 .	4-12
Fig. 9 – Hydraulic Valve Breakdown, 1037805 .	4-14
Fig. 10 – Hydraulic Valve Breakdown, 1072997 .	4-16
Fig. 11 – Hydraulic Valve Breakdown, 1020394 .	4-18
Fig. 12 – Hydraulic Valve Breakdown, 1038566 .	4-20
Fig. 13 – Hydraulic Valve Breakdown, 1072995 .	4-22
Fig. 14 – Hydraulic Steering Valve Breakdown, 1024260	4-24
Fig. 15 – Metering Solution Pump Breakdown, 73260	4-26
Fig. 16 – Water Pump Breakdown, 1026743 . . .	4-27
Fig. 17 – ec-H2O Module Assembly Breakdown, 9007882	4-28
Fig. 18 – Seat Breakdown, 1072456	4-30
Fig. 19 – FaST Injector Assembly Breakdown, 9008868	4-32

Fig. 1 – Extended Scrub Pump Breakdown, 1021210

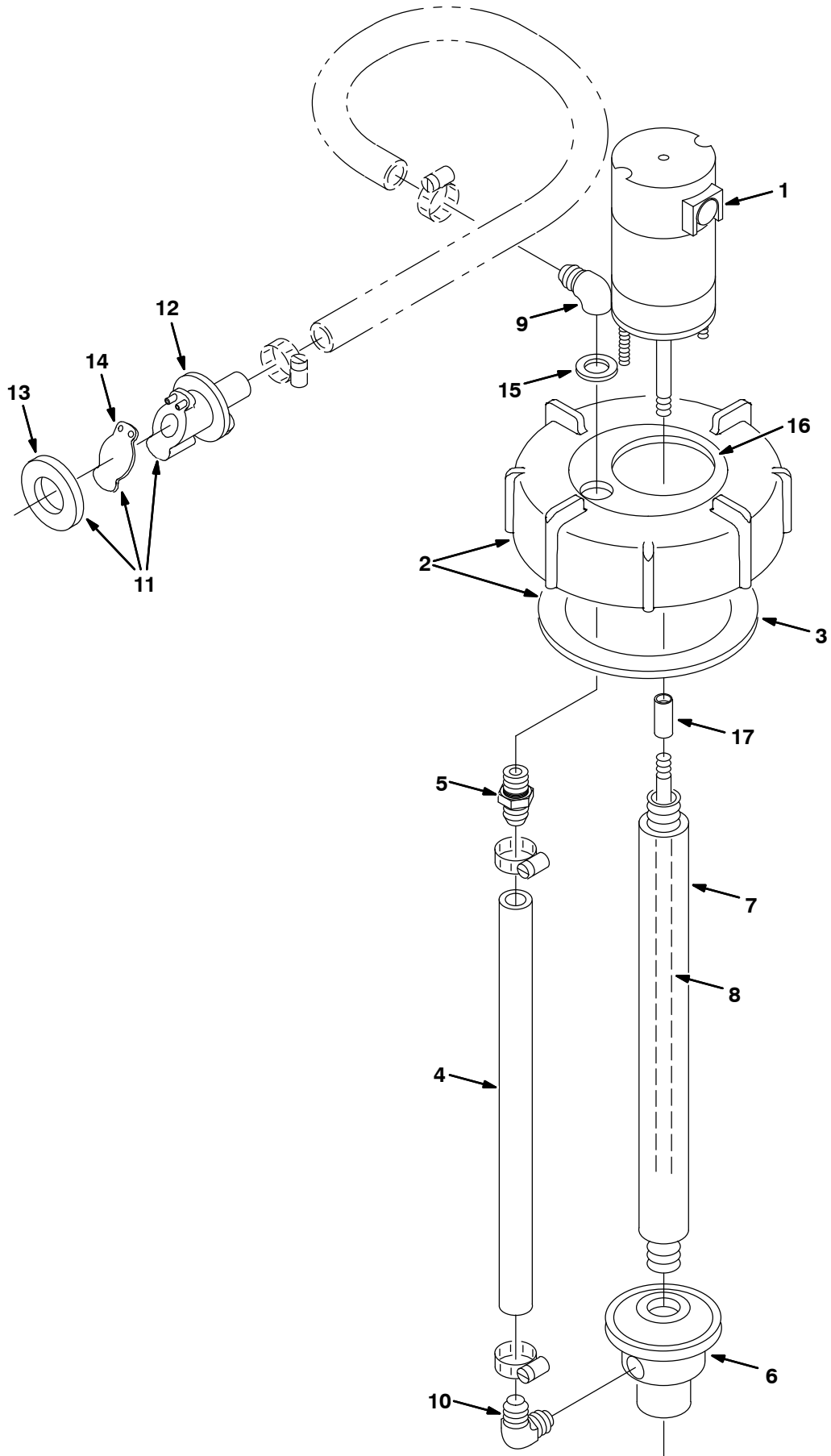


Fig. 1 - Extended Scrub Pump Breakdown, 1021210

	Ref.	Part No.	Serial Number	Description	Qty.
▽		1021210	(000000-) Pump Assy, Column, Es	1
▲▽	1	9002708	(000000-) Motor, Ele, 12vdc, Pump, Water	1
▲▲		78829	(000000-) Kit, Brush, Motor, Ele	1
▲▽	2	24358	(000000-) Cap Assy, Tank, Drain	1
▲▲	3	1031699	(000000-) Gasket, 4.05id 5.29od .19 [Buna]	1
▲	4	78833	(000000-) Tube, Vinyl, Pump, Water	1
▲	5	78398	(000000-) Fitting, Plstc, Str, Bm12/Pm08, Nyl	1
▲	6	78843	(000000-) Housing Kit, Pump, Water	1
▲	7	78836	(000000-) Column, Pump, Water	1
▲	8	9002709	(000000-) Shaft, Pump, Water	1
▲	9	78838	(000000-) Fitting, E, Gr	1
▲	10	78839	(000000-) Fitting, Plstc, E90, Pf Bm [Es Pump]	1
▲▽	11	78842	(000000-) Kit, Valve, Check, Pump, Water	1
▲▲	12	78840	(000000-) Valve, Check, Pump, Water	1
▲▲	13	73342	(000000-) Gasket, .25 1.88d 1.0id [Poron]	1
▲▲	14	78841	(000000-) Flapper, Valve, Pump, Water	1
▲	15	78830	(000000-) Washer, Rbr	1
▲	16	22790	(000000-) Insert, Cap, Mount, Es Pump	1
▲	17	23285	(000000-) Sleeve, Pump, Water	1

Fig. 2 - Hydraulic Motor Breakdown, 379609

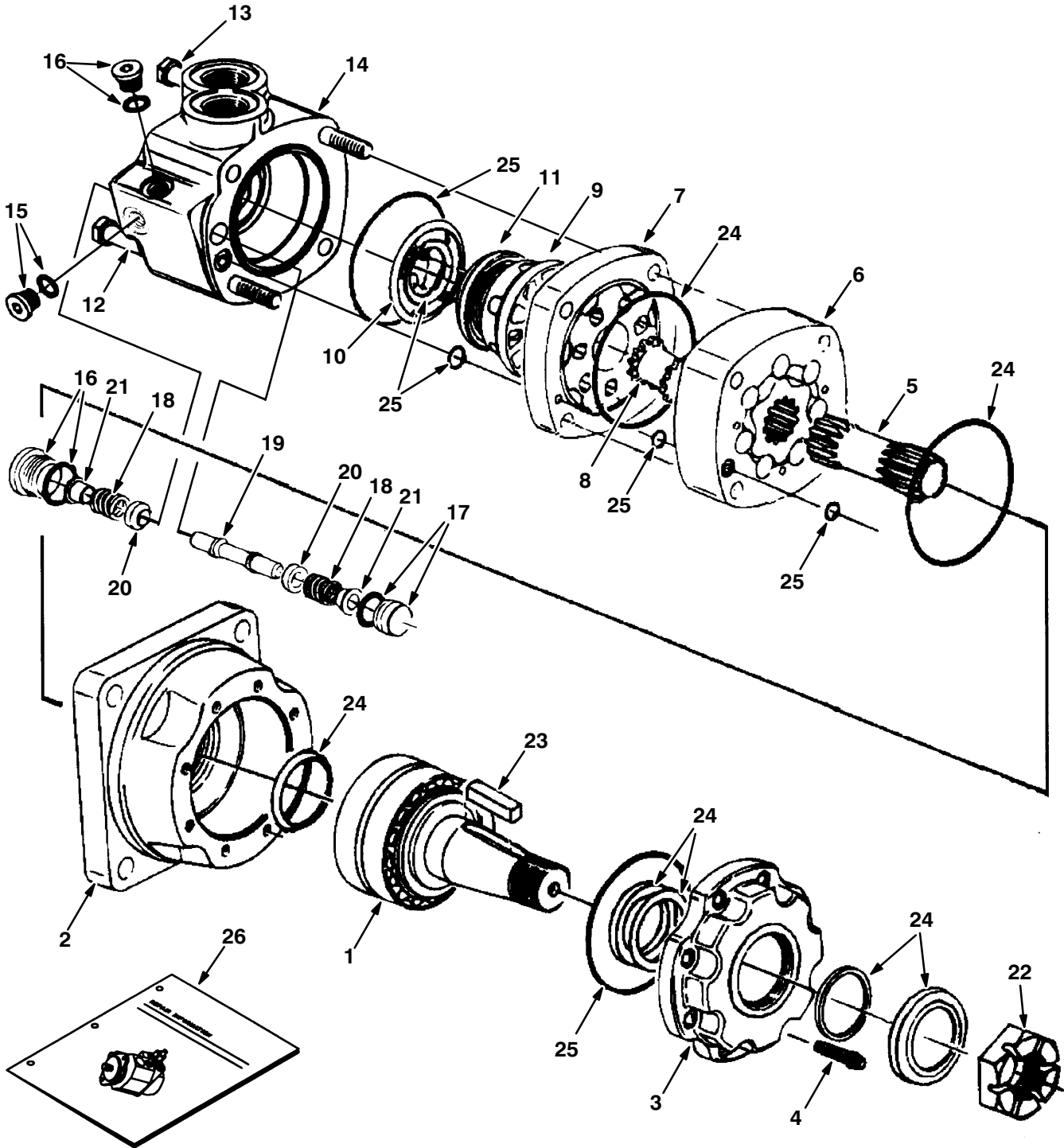


Fig. 2 – Hydraulic Motor Breakdown, 379609

	Ref.	Part No.	Serial Number	Description	Qty.
▽		379609	(000000-) Motor, Hyd, Gear, [Int], 19.0 X 3000	1
▲	1	74165	(000000-) Shaft, Motor, Hyd	1
▲	2	74166	(000000-) Housing, Brg, Motor, Hyd	1
▲	3	74167	(000000-) Retainer, Motor, Hyd	1
▲	4	74168	(000000-) Screw, Cap, Motor, Hyd	8
▲	5	37616	(000000-) Drive, Motor, Hyd	1
▲	6	37756	(000000-) Geroler, Motor, Hyd	1
▲	7	74122	(000000-) Plate, Valve, Motor, Hyd	1
▲	8	52405	(000000-) Valve, Motor, Hyd	1
▲	9	74123	(000000-) Valve, Motor, Hyd	1
▲	10	34178	(000000-) Spring, Motor, Hyd	2
▲	11	38968	(000000-) Ring, Motor, Hyd	1
▲	12	74125	(000000-) Bolt, Motor, Hyd	3
▲	13	38255	(000000-) Bolt, Motor, Hyd	1
▲	14	373297	(000000-) Housing, Valve	1
▲	15	373298	(000000-) Plug	1
▲	16	373260	(000000-) Plug, Pump, Hyd, Gear	2
▲	17	373299	(000000-) Plug	1
▲	18	373291	(000000-) Spring	2
▲	19	373217	(000000-) Piston, Pump, Hyd, Gear	1
▲	20	373226	(000000-) Poppet, Pump, Hyd, Gear	2
▲	21	373236	(000000-) Sleeve, Dashpo, Pump, Hyd, Gear	2
▲	22	45622	(000000-) Nut, Motor, Hyd	1
▲	23	45623	(000000-) Key, Motor, Hyd	1
▲	24	79828	(000000-) Kit, Seal, Motor, Hyd	1
▲	25	33580	(000000-) Kit, Seal, Motor, Hyd	1
	26	79729	(000000-) Instr, Repair, Motor, Hyd, Gear	1

Fig. 3 - Hydraulic Pump Breakdown, 1024251

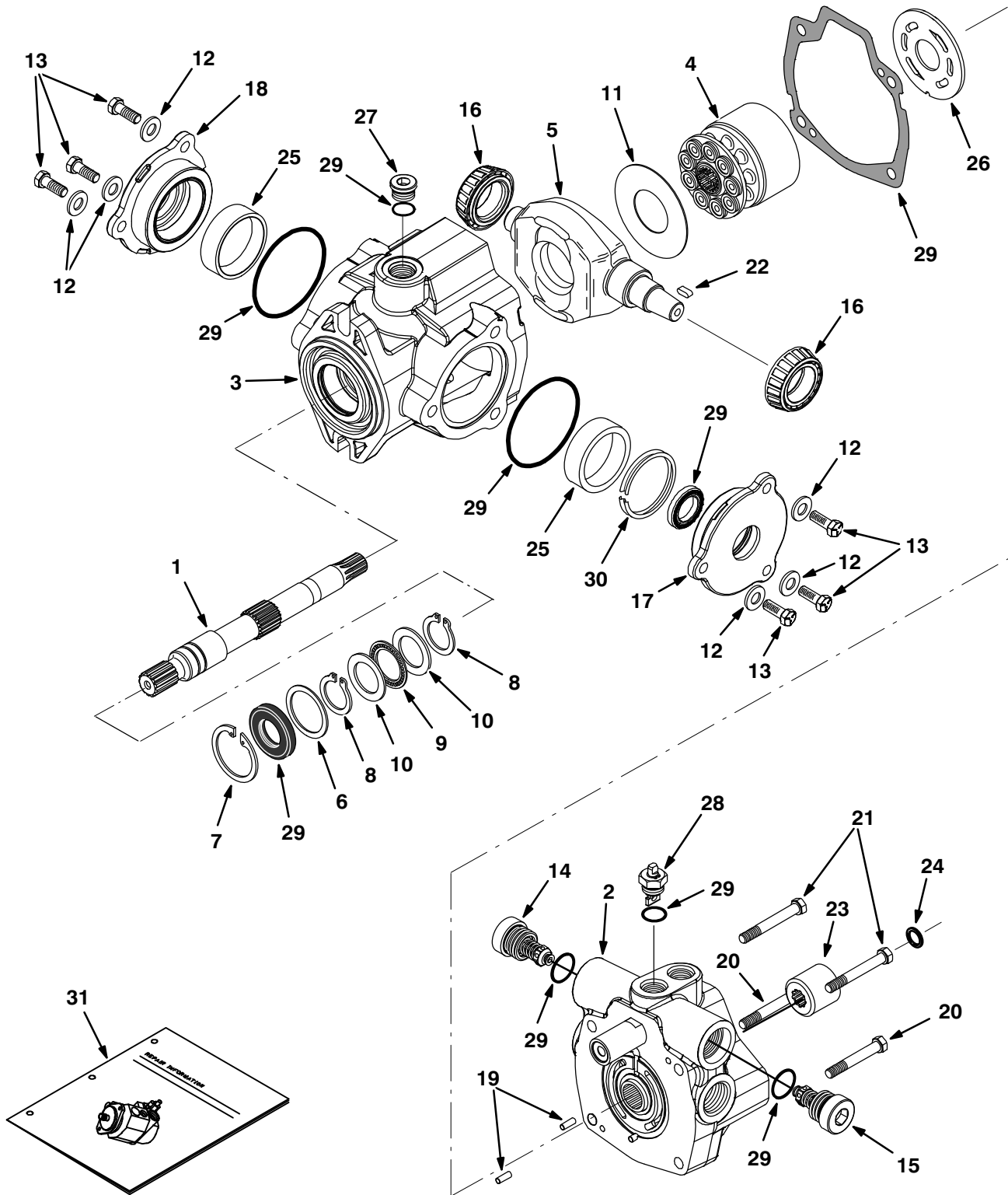
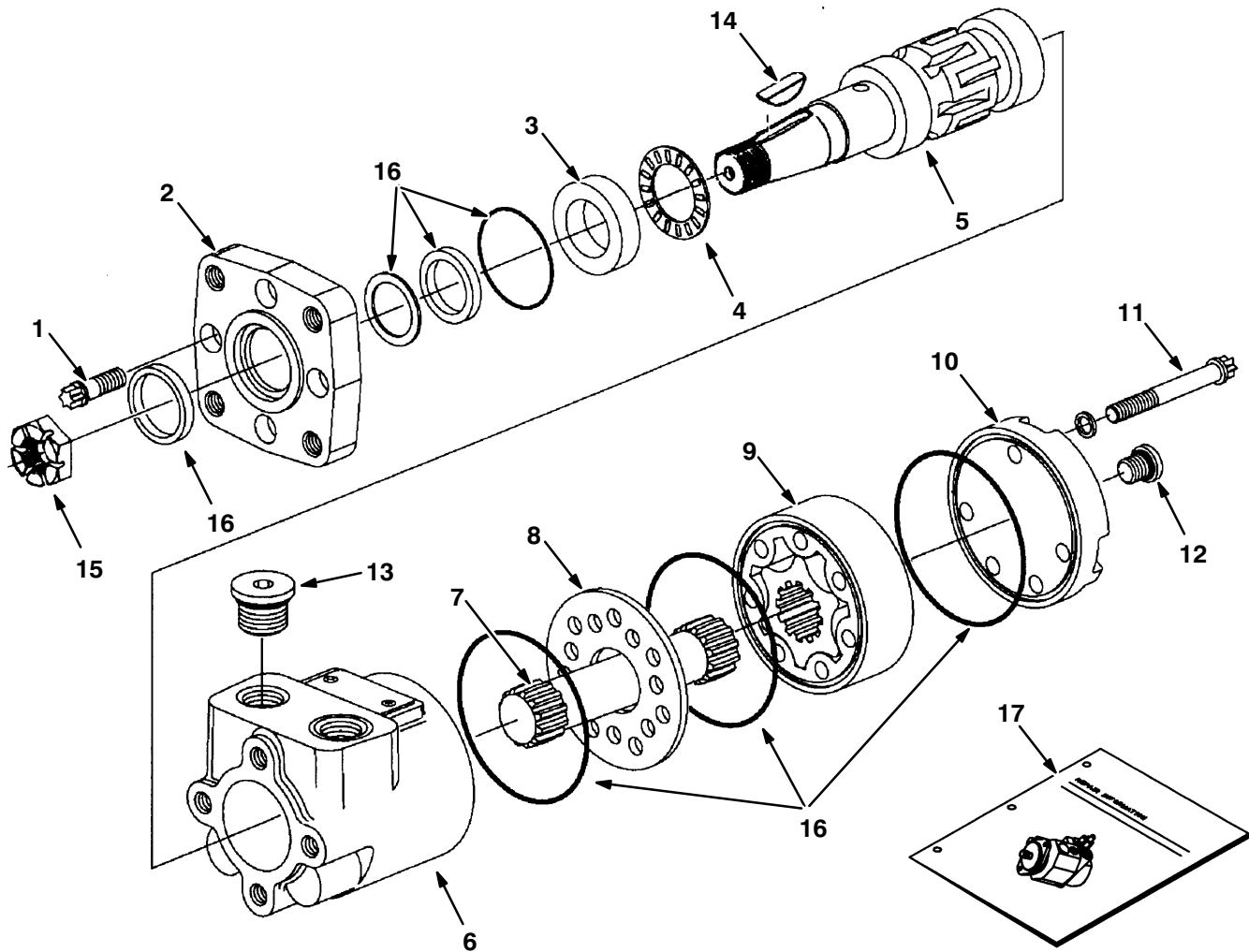


Fig. 3 – Hydraulic Pump Breakdown, 1024251

Ref.	Part No.	Serial Number	Description	Qty.	
▽	1024251	(000000–) Pump, Hyd, Piston, Var, 1.24 4000, Cw	1	
▲	1	373681	(000000–) Shaft, Pump	1
▲	2	373427	(000000–) Cover, End	1
▲	3	373389	(000000–) Housing	1
▲	4	02706	(000000–) Pump Kit, Hyd, Rotating [Cessna]	1
▲	5	373493	(000000–) Plate, Cam	1
▲	6	70096	(000000–) Washer, Flat, Pump, Hyd	1
▲	7	55926	(000000–) Ring, Retaining, Pump, Hyd	1
▲	8	373434	(000000–) Ring, Retaining	2
▲	9	74225	(000000–) Bearing, Thrust, Pump, Hyd	1
▲	10	74226	(000000–) Race, Brg, Pump, Hyd	2
▲	11	373327	(000000–) Insert, Plt, Cam, Pump, Hyd	1
▲	12	373391	(000000–) Washer, Pump, Hyd [En]	6
▲	13	373346	(000000–) Screw, Cap	6
▲	14	373494	(000000–) Valve, Relief, 4000 Psi	1
▲	15	373678	(000000–) Valve, Relief, 3000 Psi	1
▲	16	373317	(000000–) Bearing, Cone, Pump, Hyd	2
▲	17	373393	(000000–) Plate, Cover	1
▲	18	373394	(000000–) Plate, Cover	1
▲	19	70100	(000000–) Pin, Dowel, Pump, Hyd	2
▲	20	373347	(000000–) Screw, Cap	2
▲	21	373348	(000000–) Screw, Cap	2
▲	22	74237	(000000–) Key, Shaft, Pump, Hyd	1
▲	23	373679	(000000–) Coupler, Pump	1
▲	24	373680	(000000–) Ring, Lock	1
▲	25	373395	(000000–) Bearing, Cup	2
▲	26	74180	(000000–) Plate, Valve, Pump, Hyd	1
▲	27	13907	(000000–) Fitting, Hyd, Plug, Om08	1
▲	28	373413	(000000–) Actuator, Valve, By-Pass [En]	1
▲	29	373398	(000000–) Seal Kit, Pump, Hyd	1
▲	30	373402	(000000–) Shim Kit	1
	31	373429	(000000–) Instr, Repair, Pump	1

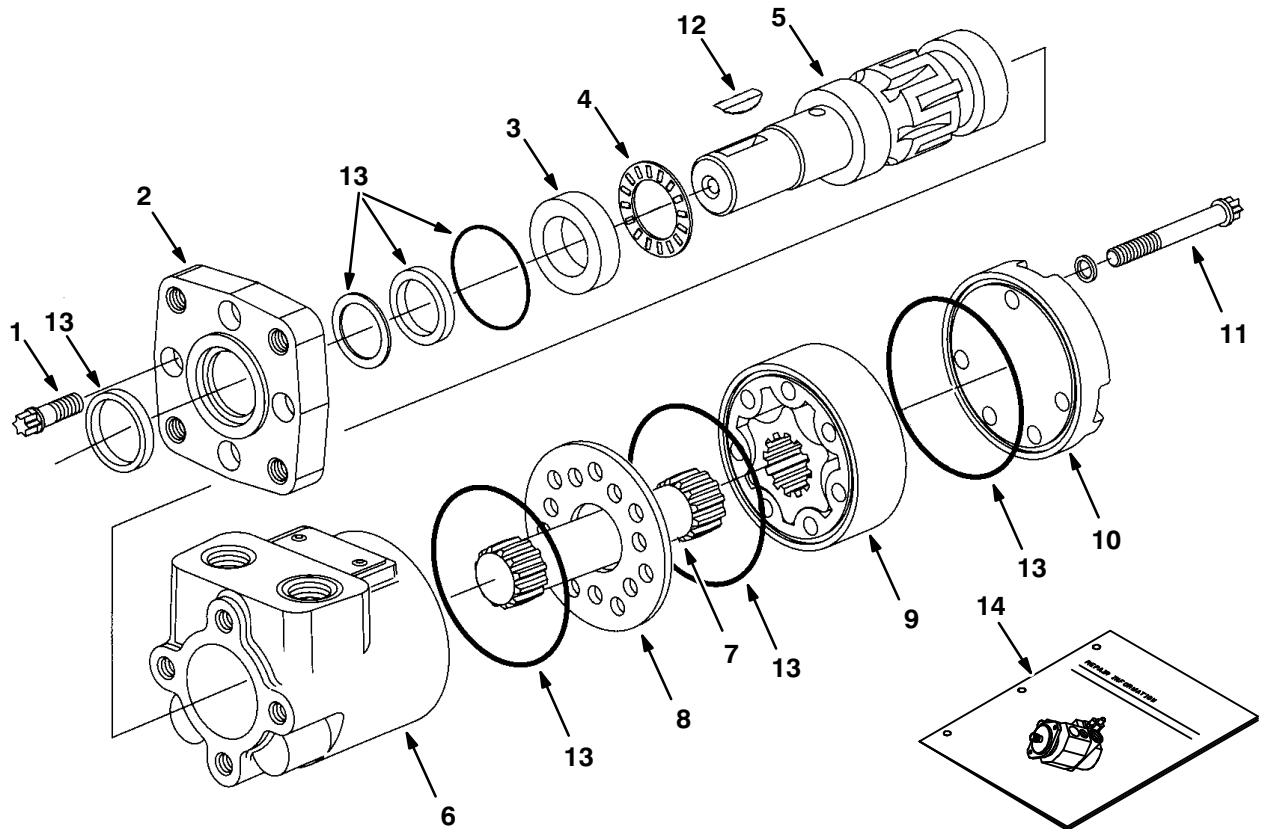
Fig. 4 – Hydraulic Motor Breakdown, 71729



09606-09670 – ALL

Ref.	Part No.	Serial Number	Description	Qty.
▽	71729	(000000-)	Motor, Hyd Gear In 4.5 B 1500	1
▲	1	37555	(000000-) Screw	4
▲	2	31354	(000000-) Flange Mounting	1
▲	3	16695	(000000-) Race Thrust	1
▲	4	45628	(000000-) Thrust Bearing	1
▲	5	31375	(000000-) Shaft, Output	1
▲	6	74100	(000000-) Housingl	1
▲	7	31379	(000000-) Drive	1
▲	8	74094	(000000-) Spacer Plate	1
▲	9	31383	(000000-) Gerotor Set	1
▲	10	74095	(000000-) End Cap	1
▲	11	65241	(000000-) Cap Screw	5
▲	12	74098	(000000-) Plug #4	1
▲	13	74099	(000000-) Plug #10	2
▲	14	00500-15	(000000-) Key-Wdruff 0.25 1.00	1
▲	15	39527	(000000-) Nut-Hxslot .75-16 Pltd	1
▲	16	61490	(000000-) Seal Replmt Kit	1
▲	17	74250	(000000-) Instr. Repair Info, Motor	1

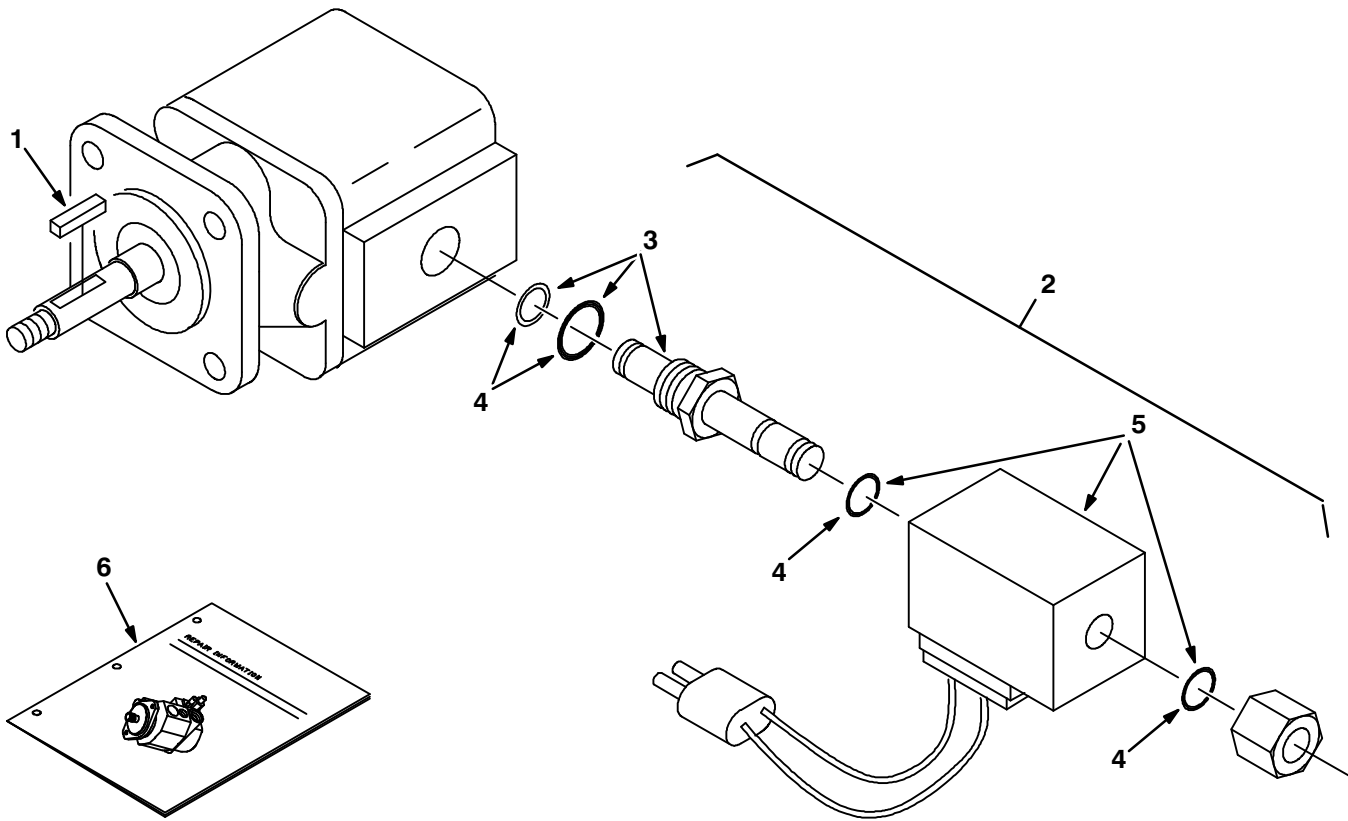
Fig. 5 - Hydraulic Motor Breakdown, 1029379



10859-09670 - ALL

Ref.	Part No.	Serial Number	Description	Qty.	
▽	1029379	(000000-) Motor, Hyd, Gear, Int 08.9 Bi-Dir 2500	1	
▲	1	37555	(000000-) Screw, Motor, Hyd [En]	4
▲	2	31354	(000000-) Flange, Motor, Hyd [En]	1
▲	3	16695	(000000-) Ace, Thrust, Motor, Hyd [En]	1
▲	4	45628	(000000-) Bearing, Thrust	1
▲	5	28854	(000000-) Shaft, Output, Motor, Hyd [En]	1
▲	6	74100	(000000-) Housing, Motor, Hyd [En]	1
▲	7	21955	(000000-) Drive [CI]	1
▲	8	74094	(000000-) Plate, Spacer, Motor, Hyd [En]	1
▲	9	21956	(000000-) Gerotor Set [CI]	1
▲	10	65230	(000000-) End Cap, Motor, Hyd [En]	1
▲	11	21958	(000000-) Cap Screw CI	5
▲	12	00500-15	(000000-) Key, Woodruff, 0.25 1.00 [Asa#0808]	1
▲	13	61490	(000000-) Seal Kit, Motor [CI]	1
▲	14	74250	(000000-) Instr, Motor, Hyd, Repair [En]	1

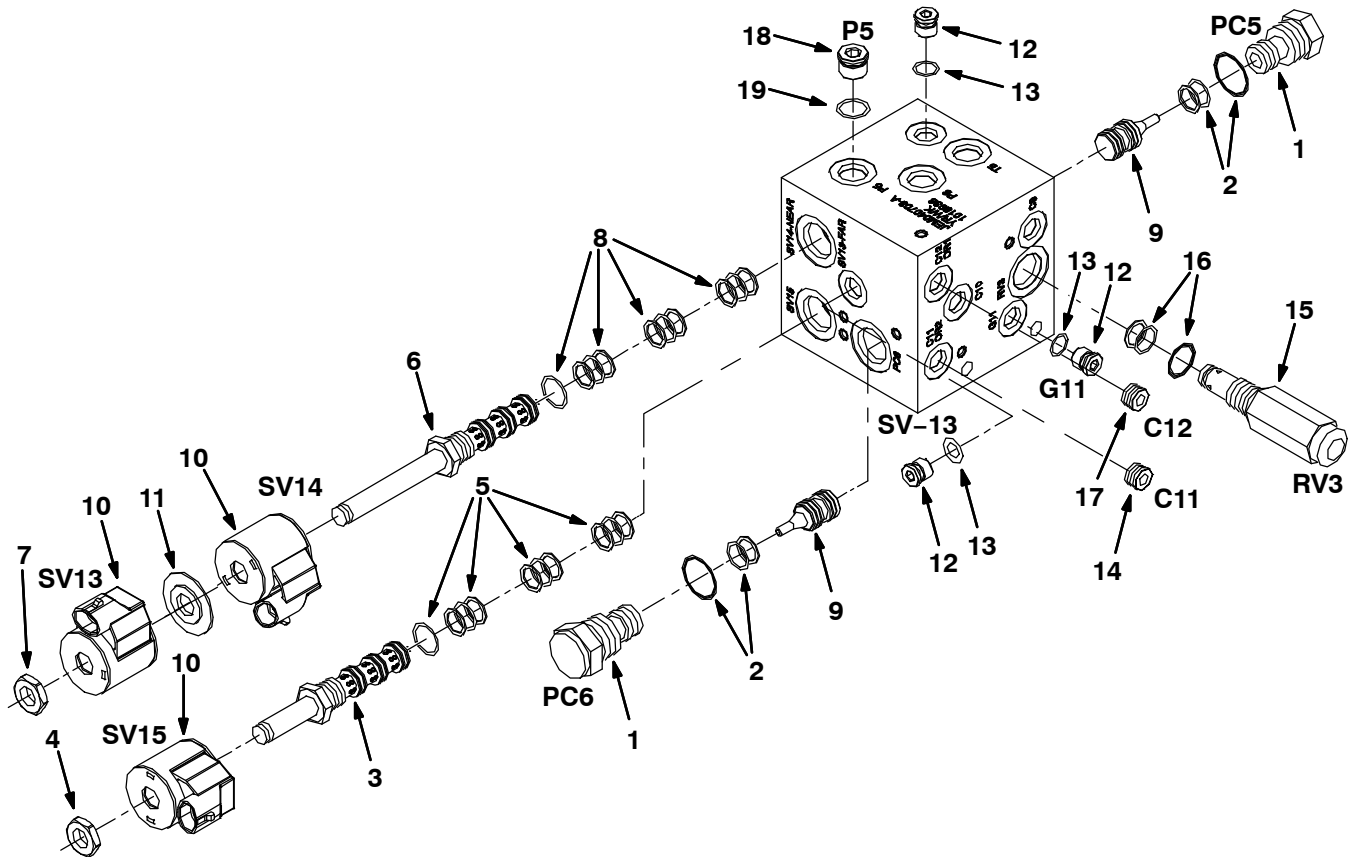
Fig. 6 – Hydraulic Motor Breakdown, 53485



07490 – 09670

Ref.	Part No.	Serial Number	Description	Qty.
▽	53485	(000000–) Motor, Hyd, Gear, Ext 0.19 Rh 3000	1
▲	74233	(000000–) Kit, Seal, Motor, Hyd, Gear[Barns]	1
▲	1 00966	(000000–) Key, Sq, 0.12 X 0.12, 0.75l	1
▲▽	2 54095	(000000–) Valve, Hyd Cartridge 10no/–0	1
▲▲	3 59378	(000000–) Valve Stem, N.O.Valve, Hyd	1
▲▲	4 48813	(000000–) Kit, Seal, Valve, Hyd [Cec]	1
▲▲	5 35493	(000000–) Solenoid, 12v, Valve, Hyd [Cec]	1
	6 IB3614	(000000–) Instr, Seal Kit, Motor	1

Fig. 7 – Hydraulic Valve Breakdown, 1018936



ALL

Ref.	Part No.	Serial Number	Description	Qty.
▽	1018936	(000000–) Valve, Cntrl, Hyd [M20]	1
▲▽	1	373656	(000000–) Valve, Check	2
▲▲	2	373647	(000000–) Seal Kit, Cartridge	1
▲▽	3	373657	(000000–) Stem, Valve, Hyd, 4w2p	1
▲▲	4	373648	(000000–) Nut, Coil, F/#8	1
▲▲	5	373647	(000000–) Seal Kit, Cartridge	1
▲▽	6	373637	(000000–) Valve, Cntrl, Solenoid	1
▲▲	7	373648	(000000–) Nut, Coil, F/#8	1
▲▲	8	373647	(000000–) Seal Kit, Cartridge	1
▲	9	373658	(000000–) Spool, Pilot, Hyd	2
▲	10	373640	(000000–) Solenoid, #8, 12vdc	3
▲	11	373639	(000000–) Spacer, Coil, #8	1
▲▽	12	74098	(000000–) Fitting, Hyd, Plug, Om04	3
▲▲	13	77003	(000000–) Seal, Org, .072 X 00.35id #04	1
▲	14	373633	(000000–) Plug, Orifice, Valve, Hyd, .040	1
▲▽	15	373659	(000000–) Valve, Hyd, Relief	1
▲▲	16	373647	(000000–) Seal Kit, Cartridge	1
▲	17	373660	(000000–) Plug, Orifice, Valve, Hyd, .030	1
▲▽	18	13904	(000000–) Fitting, Plug, Org, #6, Valve [Cec]	1
▲▲	19	77005	(000000–) Seal, Org, .078 X 00.47id #06	1

Fig. 8 - Hydraulic Valve Breakdown, 1018938

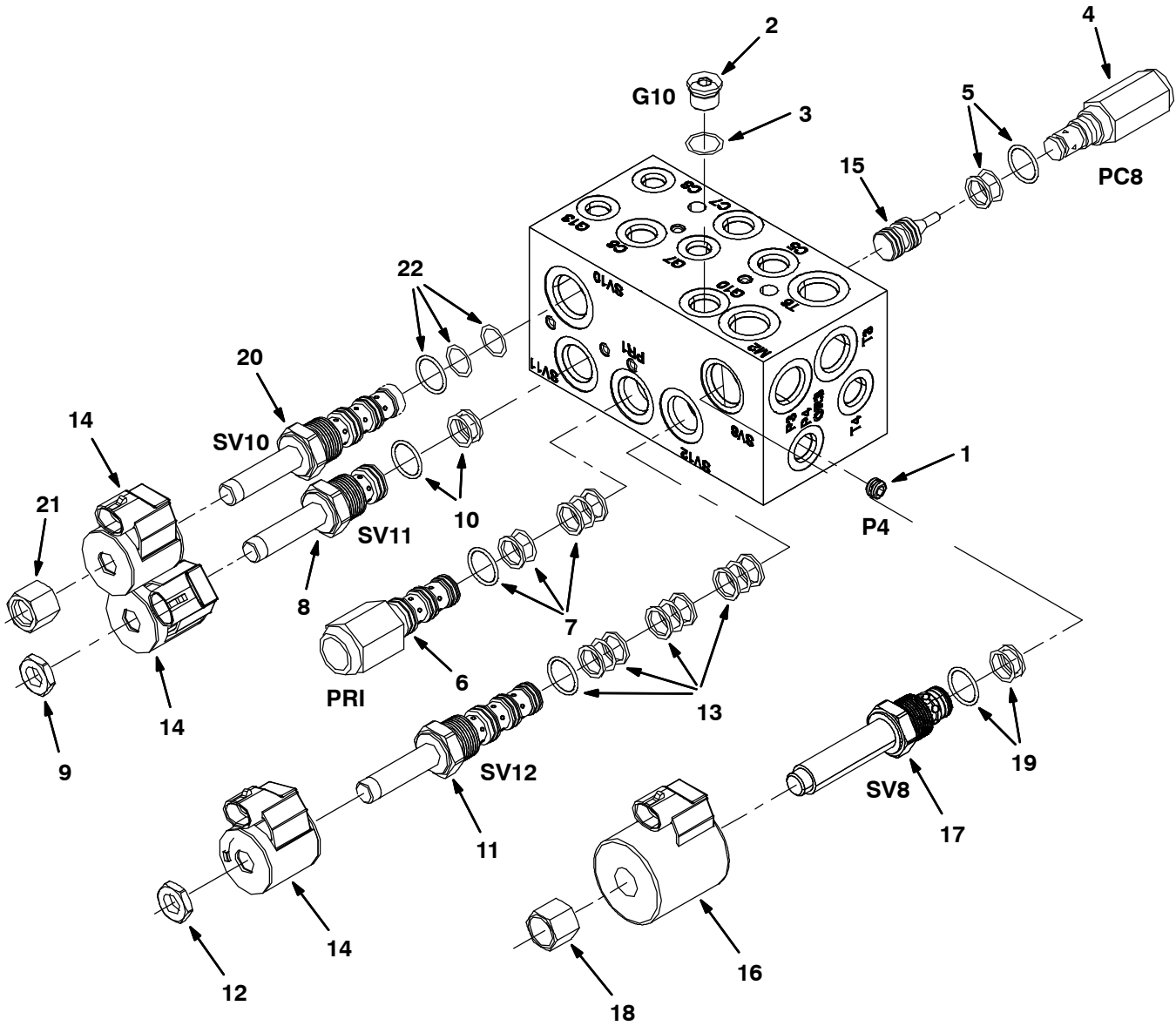


Fig. 8 - Hydraulic Valve Breakdown, 1018938

	Ref.	Part No.	Serial Number	Description	Qty.
▽		1018938	(000000-) Valve, Cntrl, Hyd [M20 And T20] (Replaced by 1037805)	1
▲	1	373633	(000000-) Plug, Orifice, Valve, Hyd, .040	1
▲▽	2	13904	(000000-) Fitting, Plug, Org, #6, Valve [Cec]	1
▲▲	3	77005	(000000-) Seal, Org, .078 X 00.47id #06	1
▲▽	4	373656	(000000-) Valve, Check	1
▲▲	5	373647	(000000-) Seal Kit, Cartridge	1
▲▽	6	373661	(000000-) Valve, Relief	1
▲▲	7	373647	(000000-) Seal Kit, Cartridge	1
▲▽	8	373662	(000000-) Stem, Valve, Hyd	1
▲▲	9	373648	(000000-) Nut, Coil, F/#8	1
▲▲	10	373647	(000000-) Seal Kit, Cartridge	1
▲▽	11	373657	(000000-) Stem, Valve, Hyd, 4w2p	1
▲▲	12	373648	(000000-) Nut, Coil, F/#8	1
▲▲	13	373647	(000000-) Seal Kit, Cartridge	1
▲	14	373640	(000000-) Solenoid, #8, 12vdc	3
▲	15	373658	(000000-) Spool, Pilot, Hyd	1
▲	16	373642	(000000-) Solenoid, #10, 12vdc	1
▲▽	17	373663	(000000-) Valve, Stem, No	1
▲▲	18	373670	(000000-) Nut, Solenoid	1
▲▲	19	373646	(000000-) Seal Kit, Cartridge	1
▲▽	20	373664	(000000-) Cartridge, Psi Cntrl, Valve, Hyd	1
▲▲	21	373673	(000000-) Nut, Solenoid	1
▲▲	22	373672	(000000-) Seal Kit, Cartridge	1

Fig. 9 - Hydraulic Valve Breakdown, 1037805

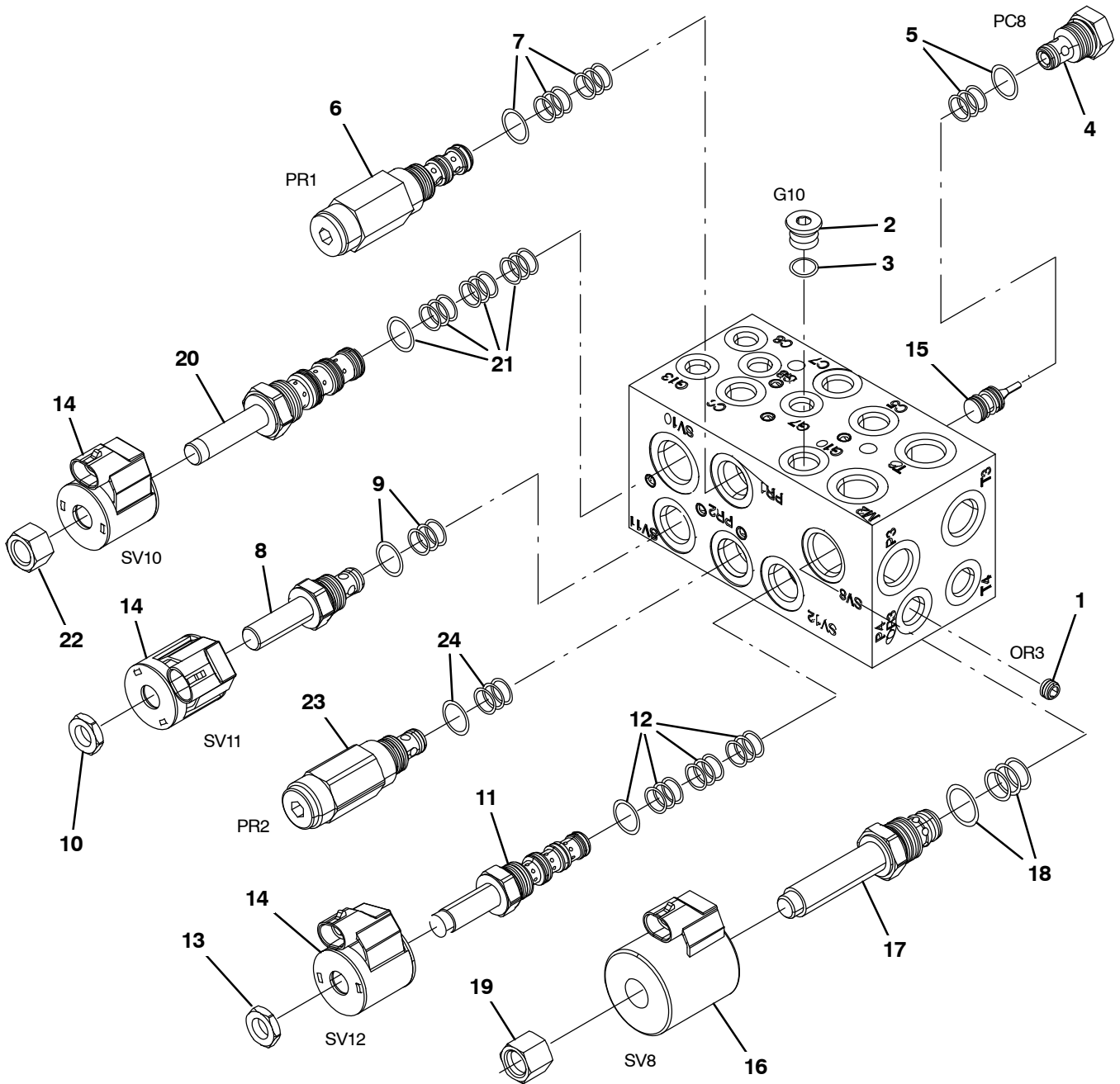


Fig. 9 - Hydraulic Valve Breakdown, 1037805

	Ref.	Part No.	Serial Number	Description	Qty.
▽		1037805	(000000-) Valve, Cntrl, Hyd, Solenoid, 03/16gpm	1
▲	1	373633	(000000-) Plug, Orifice, Valve, Hyd, .040	1
▲▽	2	13904	(000000-) Fitting, Plug, Org, #6, Valve [Cec]	1
▲▲	3	77005	(000000-) Seal, Org, .078 X 00.47id 06	1
▲▽	4	373656	(000000-) Valve, Check	1
▲▲	5	373647	(000000-) Seal Kit, Cartridge	1
▲▽	6	373661	(000000-) Valve, Relief	1
▲▲	7	373647	(000000-) Seal Kit, Cartridge	1
▲▽	8	373662	(000000-) Stem, Valve, Hyd	1
▲▲	9	373647	(000000-) Seal Kit, Cartridge	1
▲▲	10	373648	(000000-) Nut, Coil, Nyl Patch	1
▲▽	11	373657	(000000-) Stem, Valve, Hyd [4w2p]	1
▲▲	12	373647	(000000-) Seal Kit, Cartridge	1
▲▲	13	373648	(000000-) Nut, Coil, F/#8	1
▲	14	373640	(000000-) Solenoid, #8, 12vdc	3
▲	15	373658	(000000-) Spool, Pilot, Hyd	1
▲	16	373642	(000000-) Solenoid, #10, 12vdc	1
▲▽	17	373663	(000000-) Valve, Stem, No	1
▲▲	18	373646	(000000-) Seal Kit, Cartridge	1
▲▲	19	373670	(000000-) Nut, Solenoid	1
▲▽	20	373664	(000000-) Cartridge, Psi Cntrl, Valve, Hyd	1
▲▲	21	373672	(000000-) Seal Kit, Cartridge	1
▲▲	22	373673	(000000-) Nut, Solenoid	1
▲▽	23	373683	(000000-) Valve, Relief	1
▲▲	24	373647	(000000-) Seal Kit, Cartridge	1

Fig. 10 – Hydraulic Valve Breakdown, 1072997

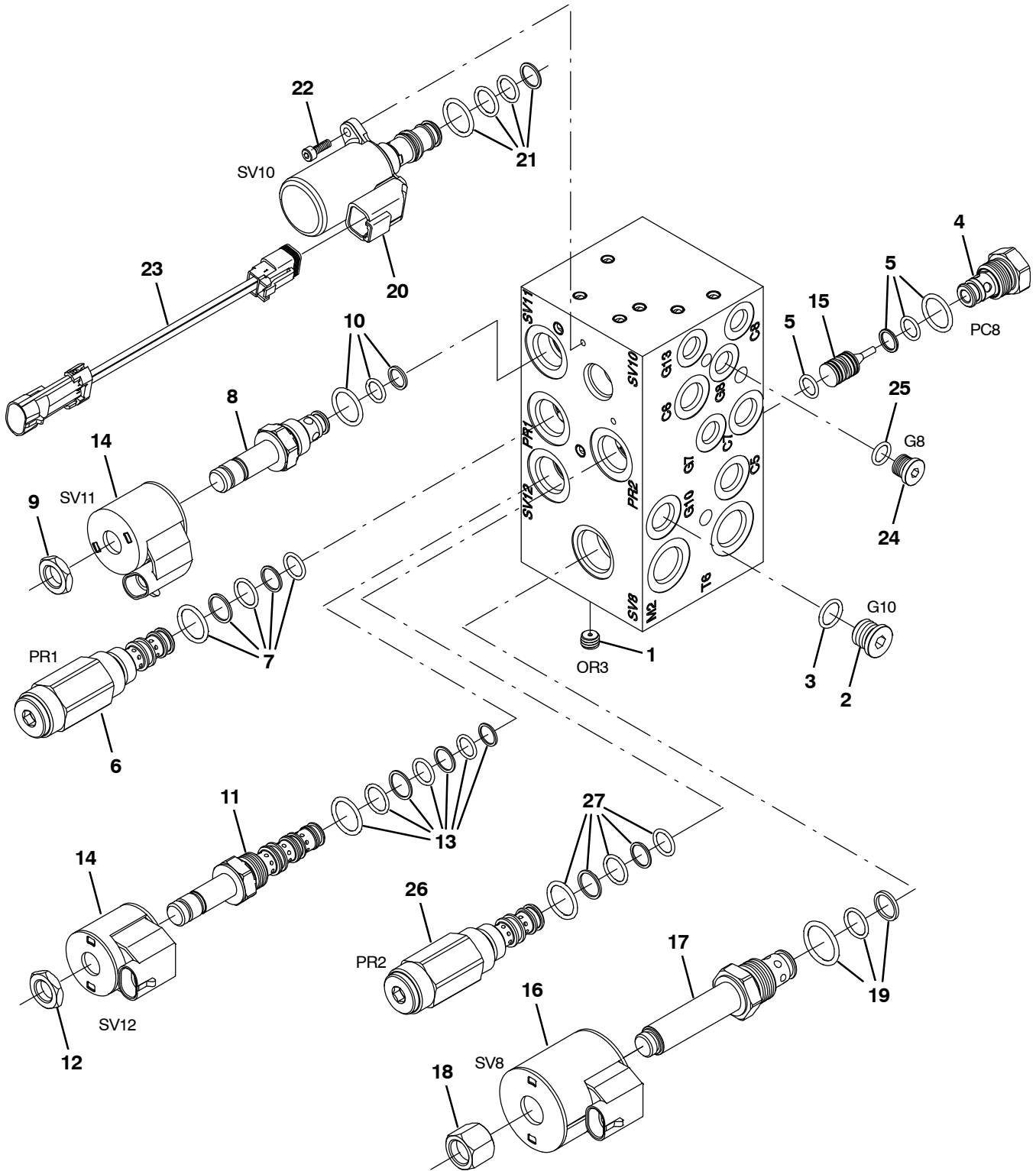


Fig. 10 - Hydraulic Valve Breakdown, 1072997

Ref.	Part No.	Serial Number	Description	Qty.
▽	1072997	(000000-) Valve, Cntrl, Hyd, Solenoid, 03/16gpm	1
▲	1 373633	(000000-) Plug, Orifice, Valve, Hyd, .040	1
▲▽	2 13904	(000000-) Fitting, Plug, Org, #6, Valve [Cec]	1
▲▲	3 77005	(000000-) Seal, Org, .078 X 00.47id 06	1
▲▽	4 373656	(000000-) Valve, Check	1
▲▲	5 373647	(000000-) Seal Kit, Cartridge	1
▲▽	6 373661	(000000-) Valve, Relief	1
▲▲	7 373647	(000000-) Seal Kit, Cartridge	1
▲▽	8 373662	(000000-) Stem, Valve, Hyd	1
▲▲	9 373648	(000000-) Nut, Coil, Nyl Patch	1
▲▲	10 373647	(000000-) Seal Kit, Cartridge	1
▲▽	11 373657	(000000-) Stem, Valve, Hyd [4w2p]	1
▲▲	12 373648	(000000-) Nut, Coil, F/#8	1
▲▲	13 373647	(000000-) Seal Kit, Cartridge	1
▲	14 373640	(000000-) Solenoid, #8, 12vdc	3
▲	15 373658	(000000-) Spool, Pilot, Hyd	1
▲	16 373642	(000000-) Solenoid, #10, 12vdc	1
▲▽	17 373663	(000000-) Valve, Stem, No	1
▲▲	18 373670	(000000-) Nut, Solenoid	1
▲▲	19 373646	(000000-) Seal Kit, Cartridge	1
▲▽	20 9011347	(000000-) Valve Assy [Proportional]	1
▲▲	21 9011343	(000000-) Seal Kit, Valve [Ehpr98]	1
▲▲	22 9011345	(000000-) Screw, Mtg [Ehpr98]	2
▲▲	23 9011346	(000000-) Harness, Jumper [Deutsch To Mpack]	1
▲▽	24 13904	(000000-) Fitting, Plug, Org, #6, Valve [Cec]	1
▲▲	25 77005	(000000-) Seal, Org, .078 X 00.47id 06	1
▲▽	26 373683	(000000-) Valve, Relief	1
▲▲	27 373647	(000000-) Seal Kit, Cartridge	1

Fig. 11 – Hydraulic Valve Breakdown, 1020394

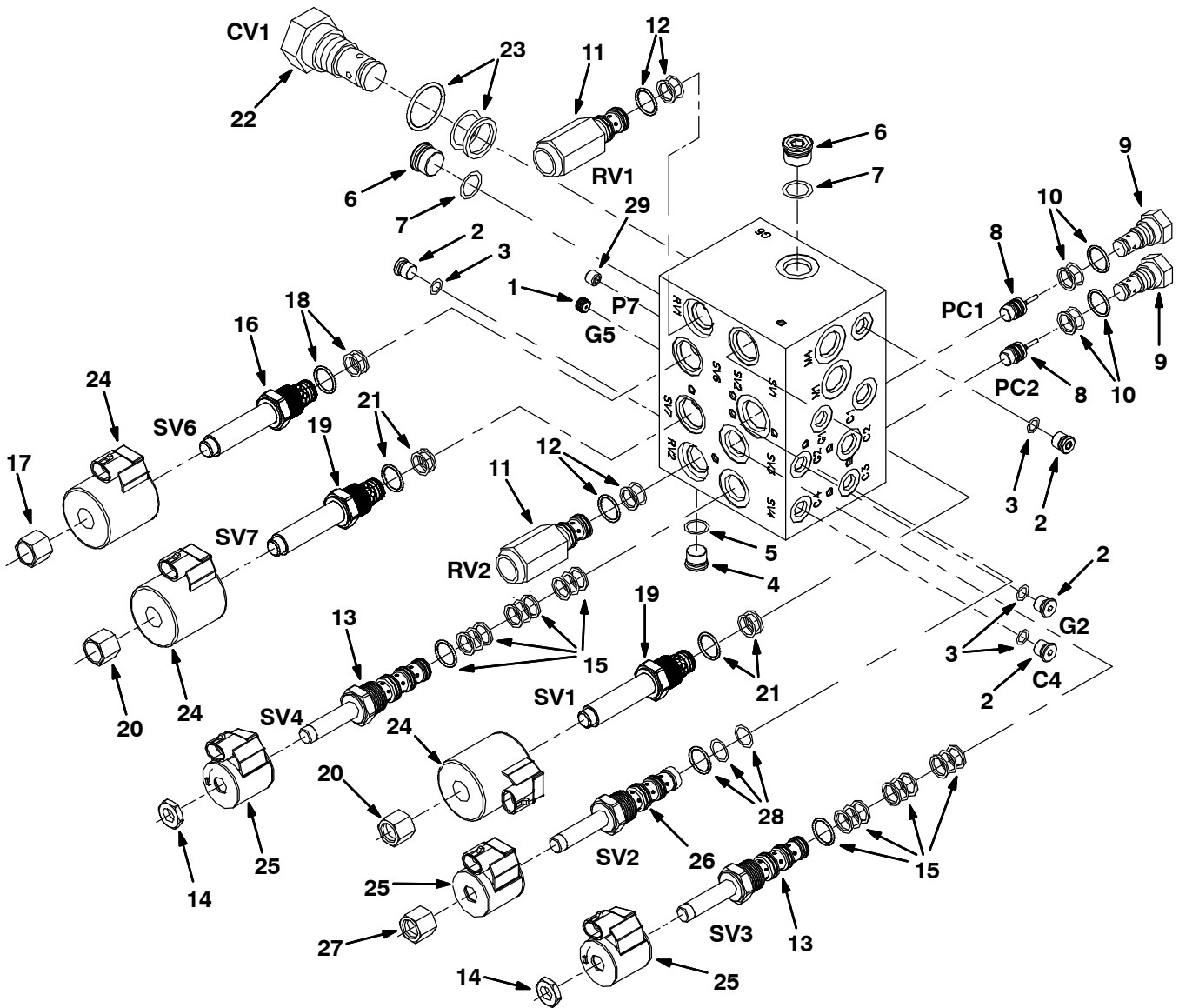


Fig. 11 – Hydraulic Valve Breakdown, 1020394

	Ref.	Part No.	Serial Number	Description	Qty.
▽		1020394	(000000–) Valve, Cntrl, Hyd	1
▲	1	373665	(000000–) Plug, Orifice, Valve, Hyd, .046	1
▲▽	2	74098	(000000–) Fitting, Hyd, Plug, Om04	4
▲▲	3	77003	(000000–) Seal, Org, .072 X 00.35id #04	1
▲▽	4	13904	(000000–) Fitting, Plug, Org, #6, Valve [Cec]	1
▲▲	5	77005	(000000–) Seal, Org, .078 X 00.47id #06	1
▲▽	6	13907	(000000–) Fitting, Hyd, Plug, Om08	2
▲▲	7	77006	(000000–) Seal, Org, .087 X 00.64id #08	2
▲	8	373658	(000000–) Spool, Pilot, Hyd	2
▲▽	9	373631	(000000–) Valve, Check	2
▲▲	10	373647	(000000–) Seal Kit, Cartridge	1
▲▽	11	373666	(000000–) Valve, Relief	2
▲▲	12	373647	(000000–) Seal Kit, Cartridge	1
▲▽	13	373657	(000000–) Stem, Valve, Hyd, 4w2p	2
▲▲	14	373648	(000000–) Nut, Coil, F/#8	1
▲▲	15	373647	(000000–) Seal Kit, Cartridge	1
▲▽	16	373667	(000000–) Stem, Valve, Hyd	1
▲▲	17	373648	(000000–) Nut, Coil, F/#8	1
▲▲	18	373646	(000000–) Seal Kit, Cartridge	1
▲▽	19	373663	(000000–) Valve, Stem, No	2
▲▲	20	373670	(000000–) Nut, Solenoid	1
▲▲	21	373646	(000000–) Seal Kit, Cartridge	1
▲▽	22	373668	(000000–) Valve, Check	1
▲▲	23	373671	(000000–) Seal Kit, Cartridge	1
▲	24	373642	(000000–) Solenoid, #10, 12vdc	3
▲	25	373640	(000000–) Solenoid, #8, 12vdc	3
▲▽	26	373664	(000000–) Cartridge, Psi Cntrl, Valve, Hyd	1
▲▲	27	373673	(000000–) Nut, Solenoid	1
▲▲	28	373672	(000000–) Seal Kit, Cartridge	1
▲	29	373669	(000000–) Plug, Orifice, Valve, Hyd, .063	1

Fig. 12 – Hydraulic Valve Breakdown, 1038566

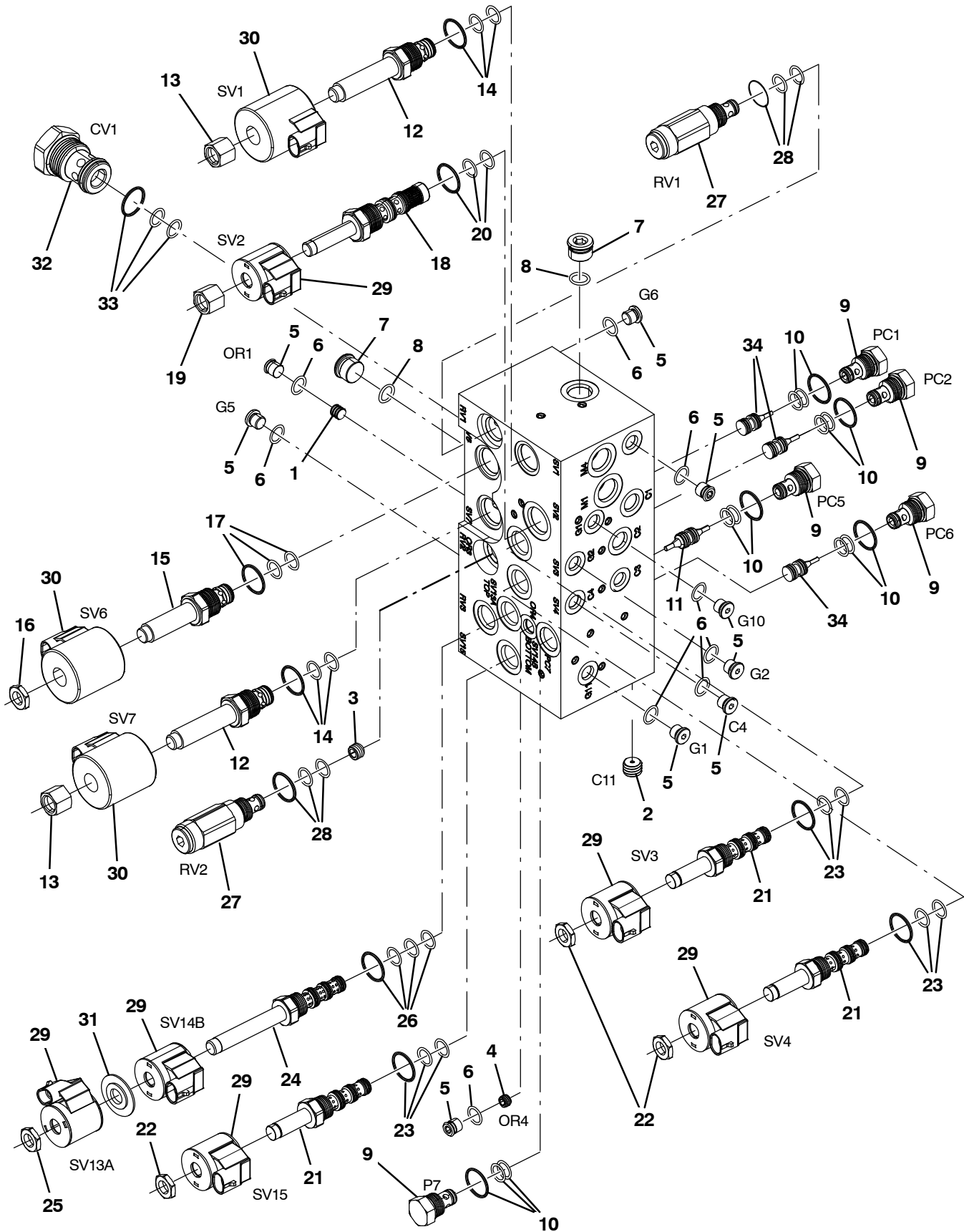


Fig. 12 - Hydraulic Valve Breakdown, 1038566

Ref.	Part No.	Serial Number	Description	Qty.
▽	1038566	(000000-) Valve, Hyd, Solenoid, 12vdc	1
▲	1 373665	(000000-) Plug, Orifice, Valve, Hyd, .046	1
▲	2 373633	(000000-) Plug, Orifice, Valve, Hyd, .040	1
▲	3 9004475	(000000-) Plug Orifice, Valve, Hyd, .140	1
▲	4 373660	(000000-) Plug, Orifice, Valve, Hyd, .030	1
▲▽	5 74098	(000000-) Fitting, Hyd, Plug, Om04	9
▲▲	6 77003	(000000-) Seal, Org, .072 X 00.35id #04	1
▲▽	7 13904	(000000-) Fitting, Plug, Org, #6, Valve [Cec]	2
▲▲	8 77005	(000000-) Seal, Org, .078 X 00.47id #06	1
▲▽	9 373656	(000000-) Valve, Check	5
▲▲	10 373647	(000000-) Seal Kit, Cartridge	1
▲	11 373688	(000000-) Spool, Pilot, Dual, Hyd	1
▲▽	12 373663	(000000-) Valve, Stem, No	2
▲▲	13 373670	(000000-) Nut, Solenoid	1
▲▲	14 373671	(000000-) Seal Kit, Cartridge	1
▲▽	15 373667	(000000-) Stem, Valve, Hyd	1
▲▲	16 373648	(000000-) Nut, Coil, F/#8	1
▲▲	17 373671	(000000-) Seal Kit, Cartridge	1
▲▽	18 373664	(000000-) Cartridge, Psi Cntrl, Valve, Hyd	1
▲▲	19 373673	(000000-) Nut, Solenoid	1
▲▲	20 373672	(000000-) Seal Kit, Cartridge	1
▲▽	21 373657	(000000-) Stem, Valve, Hyd [4w2p]	3
▲▲	22 373648	(000000-) Nut, Coil, F/#8	1
▲▲	23 373647	(000000-) Seal Kit, Cartridge	1
▲▽	24 373637	(000000-) Valve, Cntrl, Solenoid	1
▲▲	25 373684	(000000-) Nut, Coil, Nyl Patch	2
▲▲	26 373671	(000000-) Seal Kit, Cartridge	1
▲▽	27 373666	(000000-) Valve, Relief	2
▲▲	28 373647	(000000-) Seal Kit, Cartridge	1
▲	29 373640	(000000-) Solenoid, #8, 12vdc	6
▲	30 373642	(000000-) Solenoid, #10, 12vdc	3
▲	31 373639	(000000-) Spacer, Coil, #8	1
▲▽	32 373668	(000000-) Valve, Check	1
▲▲	33 373671	(000000-) Seal Kit, Cartridge	1
▲	34 373658	(000000-) Spool, Pilot, Hyd	3

Fig. 13 – Hydraulic Valve Breakdown, 1072995

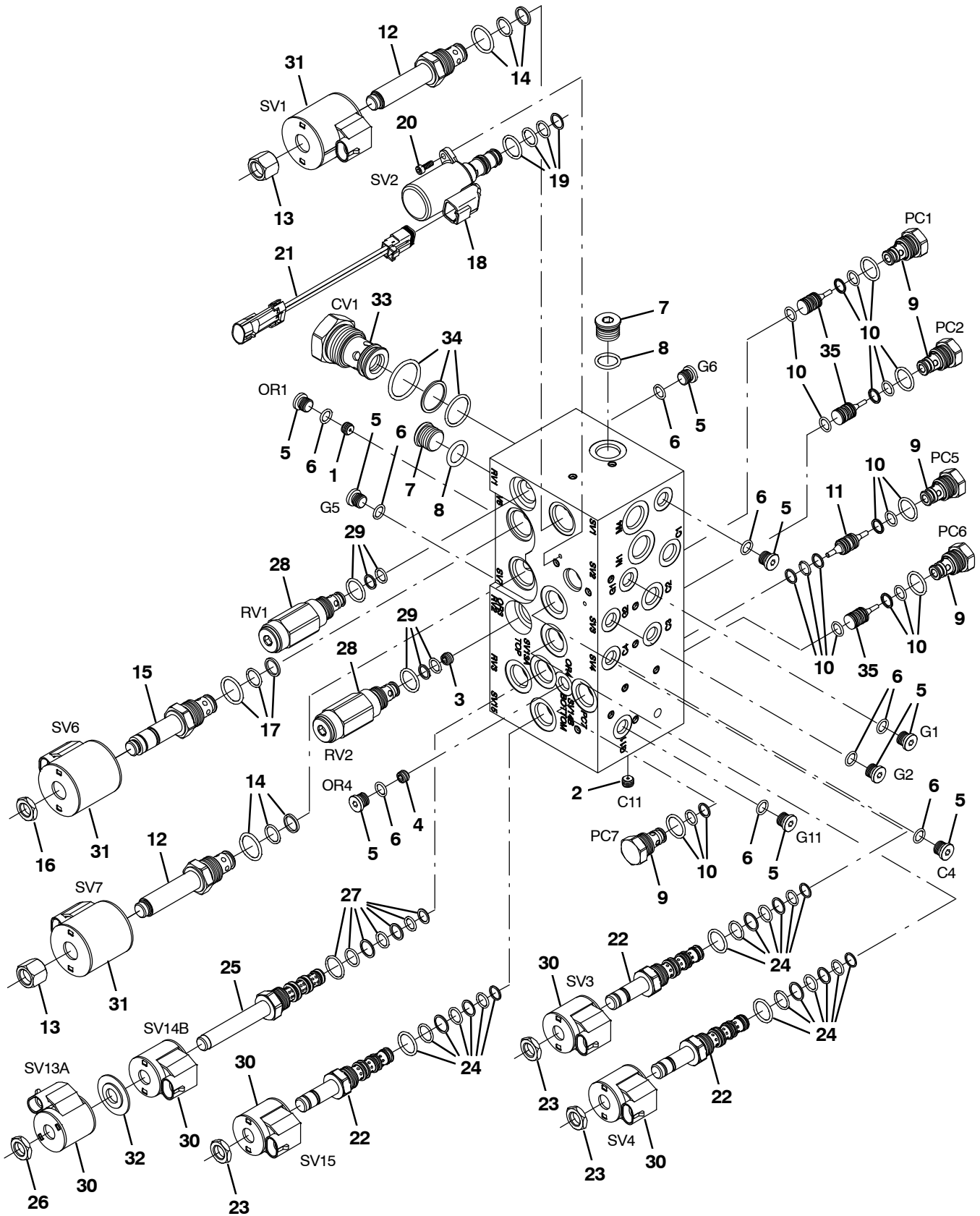


Fig. 13 – Hydraulic Valve Breakdown, 1072995

Ref.	Part No.	Serial Number	Description	Qty.
▽	1072995	(000000–) Valve, Cntrl, Hyd, Solenoid, 12vdc 10gpm	1
▲	1 373665	(000000–) Plug, Orifice, Valve, Hyd, .046	1
▲	2 373633	(000000–) Plug, Orifice, Valve, Hyd, .040	1
▲	3 9004475	(000000–) Plug Orifice, Valve, Hyd, .140	1
▲	4 373660	(000000–) Plug, Orifice, Valve, Hyd, .030	1
▲▽	5 74098	(000000–) Fitting, Hyd, Plug, Om04	9
▲▲	6 77003	(000000–) Seal, Org, .072 X 00.35id #04	1
▲▽	7 13904	(000000–) Fitting, Plug, Org, #6, Valve [Cec]	2
▲▲	8 77005	(000000–) Seal, Org, .078 X 00.47id #06	1
▲▽	9 373656	(000000–) Valve, Check	5
▲▲	10 373647	(000000–) Seal Kit, Cartridge	1
▲	11 373688	(000000–) Spool, Pilot, Dual, Hyd	1
▲▽	12 373663	(000000–) Valve, Stem, No	2
▲▲	13 373670	(000000–) Nut, Solenoid	1
▲▲	14 373671	(000000–) Seal Kit, Cartridge	1
▲▽	15 373667	(000000–) Stem, Valve, Hyd	1
▲▲	16 373648	(000000–) Nut, Coil, F/#8	1
▲▲	17 373671	(000000–) Seal Kit, Cartridge	1
▲▽	18 9011347	(000000–) Valve Assy [Proportional]	1
▲▲	19 9011343	(000000–) Seal Kit, Valve [Ehpr98]	1
▲▲	20 9011345	(000000–) Screw, Mtg [Ehpr98]	2
▲▲	21 9011346	(000000–) Harness, Jumper [Deutsch To Mpack]	1
▲▽	22 373657	(000000–) Stem, Valve, Hyd [4w2p]	3
▲▲	23 373648	(000000–) Nut, Coil, F/#8	1
▲▲	24 373647	(000000–) Seal Kit, Cartridge	1
▲▽	25 373637	(000000–) Valve, Cntrl, Solenoid	1
▲▲	26 373684	(000000–) Nut, Coil, Nyl Patch	2
▲▲	27 373671	(000000–) Seal Kit, Cartridge	1
▲▽	28 373666	(000000–) Valve, Relief	2
▲▲	29 373647	(000000–) Seal Kit, Cartridge	1
▲	30 373640	(000000–) Solenoid, #8, 12vdc	5
▲	31 373642	(000000–) Solenoid, #10, 12vdc	3
▲	32 373639	(000000–) Spacer, Coil, #8	1
▲▽	33 373668	(000000–) Valve, Check	1
▲▲	34 373671	(000000–) Seal Kit, Cartridge	1
▲	35 373658	(000000–) Spool, Pilot, Hyd	3

Fig. 14 – Hydraulic Steering Valve Breakdown, 1024260

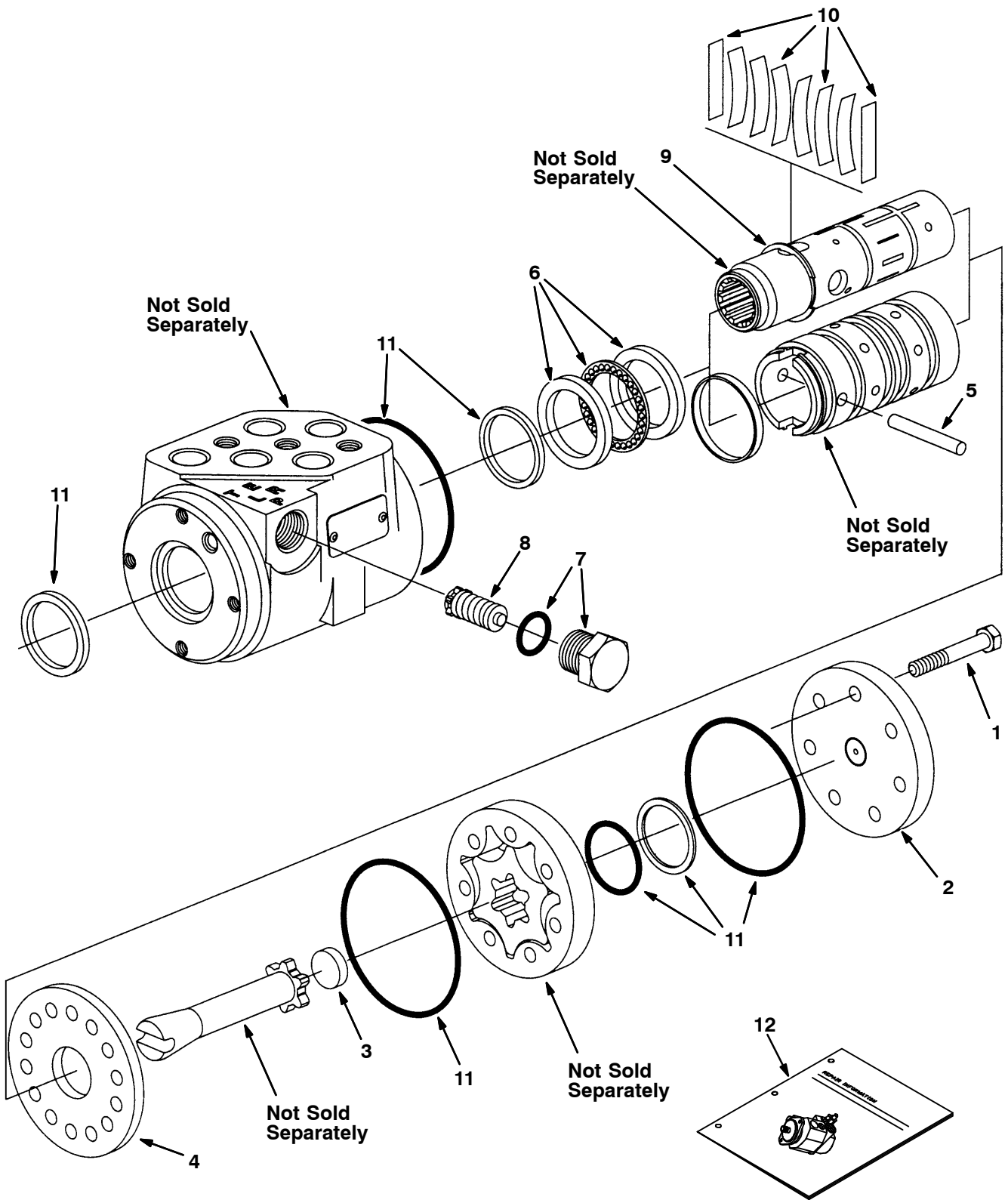
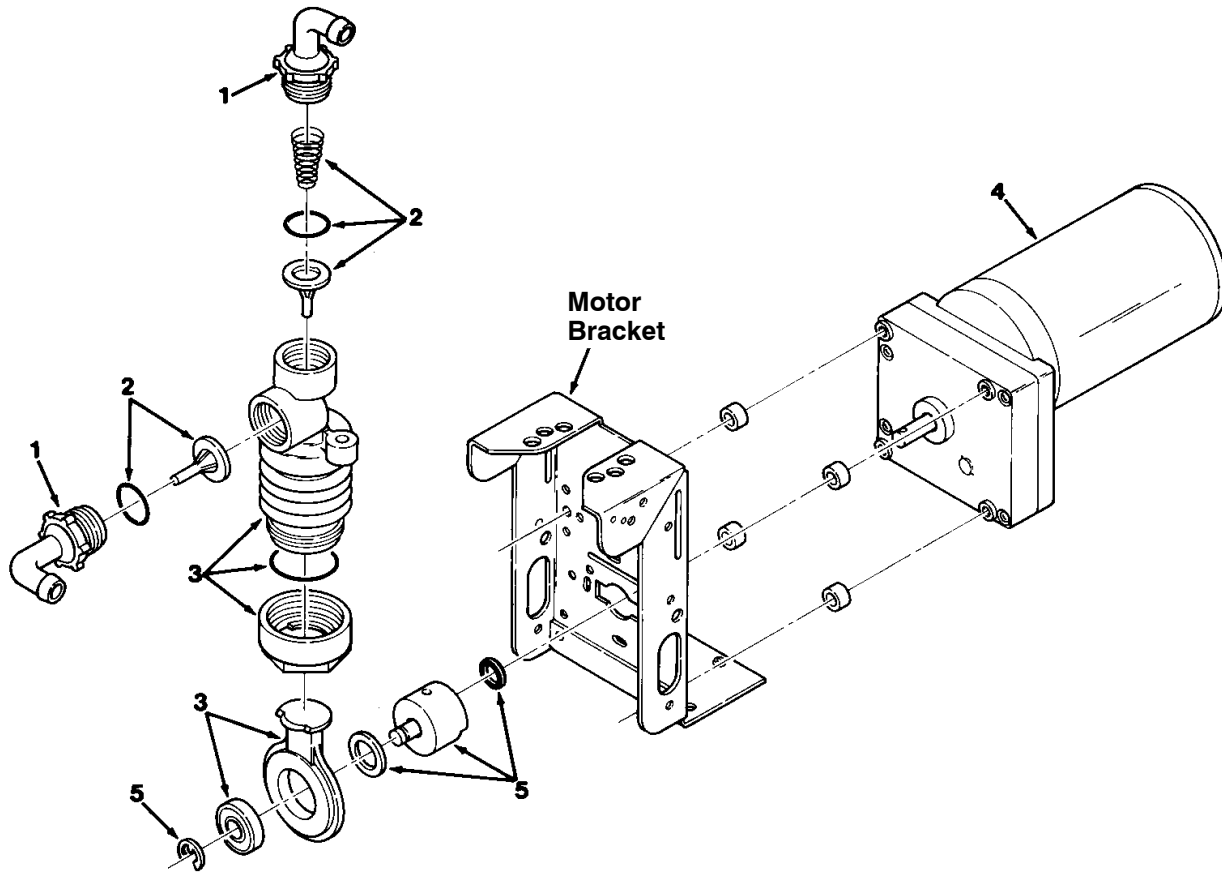


Fig. 14 – Hydraulic Steering Valve Breakdown, 1024260

	Ref.	Part No.	Serial Number	Description	Qty.
▽		1024260	(000000–) Steer–Control, Hyd05, 06.1 2030	1
▲	1	74183	(000000–) Screw, Valve, Steering	7
▲	2	74185	(000000–) Cap, End, Valve, Steering	1
▲	3	74193	(000000–) Spacer, Valve, Steering	1
▲	4	74222	(000000–) Plate, Wear, Steering Valve	1
▲	5	74232	(000000–) Pin, Valve, Steering	1
▲	6	21935	(000000–) Bearing Kit [C]	1
▲	7	21933	(000000–) Plug Assy [C]	1
▲	8	21934	(000000–) Valve Assy, Relief [C]	1
▲	9	74243	(000000–) Ring, Retainer, Steering Valve	1
▲	10	74196	(000000–) Spring Kit, Scu [C]	1
▲	11	74244	(000000–) Seal Kit, Steering [C]	1
▲	12	74245	(000000–) Instr, Valve, Steering, Repair	1

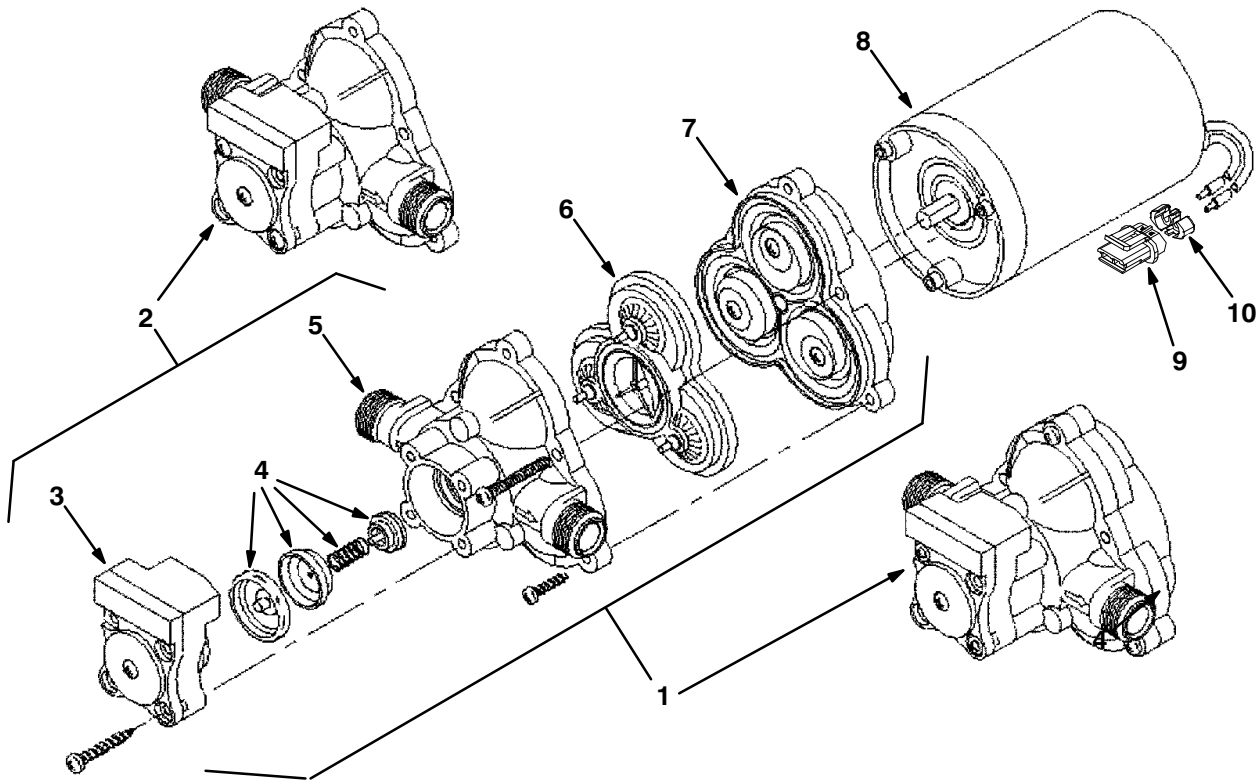
Fig. 15 – Metering Solution Pump Breakdown, 73260



00112 – ALL

Ref.	Part No.	Serial Number	Description	Qty.
▽	73260	(000000–) Pump, Detgt, 14vdc, 150ml/Min 20psi	1
▲	1 63923	(000000–) Tubing Connctr.Kit, Gorman Pmp	1
▲	2 21659	(000000–) Valve Kit, Poppet, Gorman Rupp	1
▲	3 21657	(000000–) Kit, Bellows, Pump, Detgt	1
▲	4 78875	(000000–) Motor, Ele, Gear, 14vdc, Pump, Detgt	1
▲	5 02430	(000000–) Crank Kit, Pump, F/79323, Replmt	1

Fig. 16 – Water Pump Breakdown, 1026743



07490 – 09670

Ref.	Part No.	Serial Number	Description	Qty.
▽	1026743	(000000–) Pump, Diaphragm	1
▲	1	1031802	(000000–) Complete Pump Kit, Pump, Repair,	1
▲	2	1031803	(000000–) Hsg & Switch Kit, Pump, Repair,	1
▲	3	1031796	(000000–) Switch Kit, Pump, Repair,	1
▲	4	1031797	(000000–) Chech Valve Kit, Pump, Repair,	1
▲	5	1031798	(000000–) Upper Hsg Kit, Pump, Repair,	1
▲	6	1031799	(000000–) Bypass Valve Kit, Pump, Repair,	1
▲	7	1031800	(000000–) Diaphragm Kit, Pump, Repair,	1
▲	8	1031801	(000000–) Motor Kit, Pump, Repair,	1
▲	9	78950	(000000–) Connector, Fem, 02cav, Mp280 Sealed	1
▲	10	78952	(000000–) Lock, Secondary, 2cav, Mp280 Sealed	1
▲		78951	(000000–) Terminal, Fem, Mp280, Sealed, 18–16ga	2
▲		10917	(000000–) Seal, Wire, 14/16ga [Wp / Mp280 Sealed]	2

Fig. 17 – ec-H2O Module Assembly Breakdown, 9007882

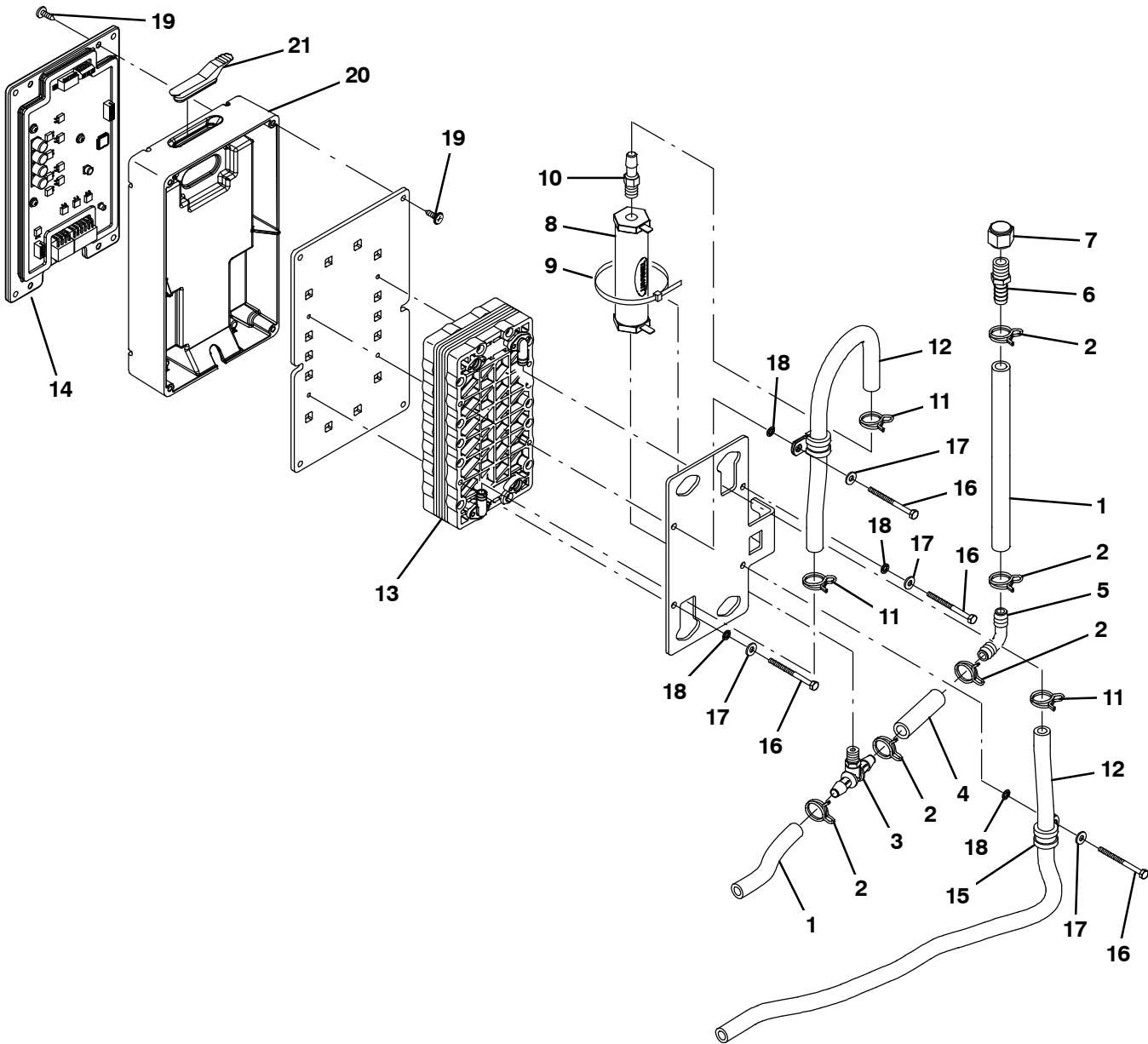


Fig. 17 – ec-H2O Module Assembly Breakdown, 9007882

	Ref.	Part No.	Serial Number	Description	Qty.
▽		9007882	(000000–) Module Kit, Replmt [Ec-H2O]	1
▲	1	1014974	(000000–) Hose, Afmkt, Pvc, Brd, 0.38id, 02ft, Clr	2
▲	2	607775	(000000–) Clamp, Hose, Wir, .63 – .66, Blk	5
▲	3	1060517	(000000–) Fitting, Plstc, Tee, Bm06/Pm02/Bm06	1
▲	4	1014971	(000000–) Hose, Afmkt, Pvc, Brd, 0.38id, 01ft, Clr	1
▲	5	20951	(000000–) Fitting, Plstc, E90, Bm06/Bm06	1
▲	6	150540	(000000–) Fitting, Plstc, Str, Bm06/Pm04	1
▲	7	1005435	(000000–) Fitting, Plstc, Pipe, Cap, Pf04	1
▲	8	1038159	(000000–) Electrode, Cylindrical	1
▲	9	44961	(000000–) Tie, Cable, Nyl, 14.5l .30w 4.0 Max D	1
▲	10	1060695	(000000–) Fitting, Plstc, Str, Pm02/Bm05	1
▲	11	1053464	(000000–) Clamp, Hose, Wir, .52 – .56, Yel	3
▲	12	1052336	(000000–) Hose, Afmkt, PVC, Brd, 0.31ld, 03Ft, Clr	1
▲	13	1057637	(000000–) Electrode, 5 Plate, High Flow	1
▲	14	9007883	(000000–) Controller Kit, Replmt [Ec-H2O]	1
▲	15	1016354	(000000–) Clamp, Cable, Ss, 0.50d X 0.50w [Insul]	2
▲	16	32509	(000000–) Screw, Hex, M4 X 0.70 X 50, Ss	4
▲	17	41579	(000000–) Washer, Flat, 08, Ss	4
▲	18	02938	(000000–) Washer, Lock, Int, 08, Ss	4
▲	19	1018155	(000000–) Screw, Pan, Phl, M5 X 0.80 X 16, Tcut,Ss	8
▲	20	1037032	(000000–) Housing, Bottom	1
▲	21	1054776	(000000–) Grommet, Blind	1

Fig. 18 – Seat Breakdown, 1072456

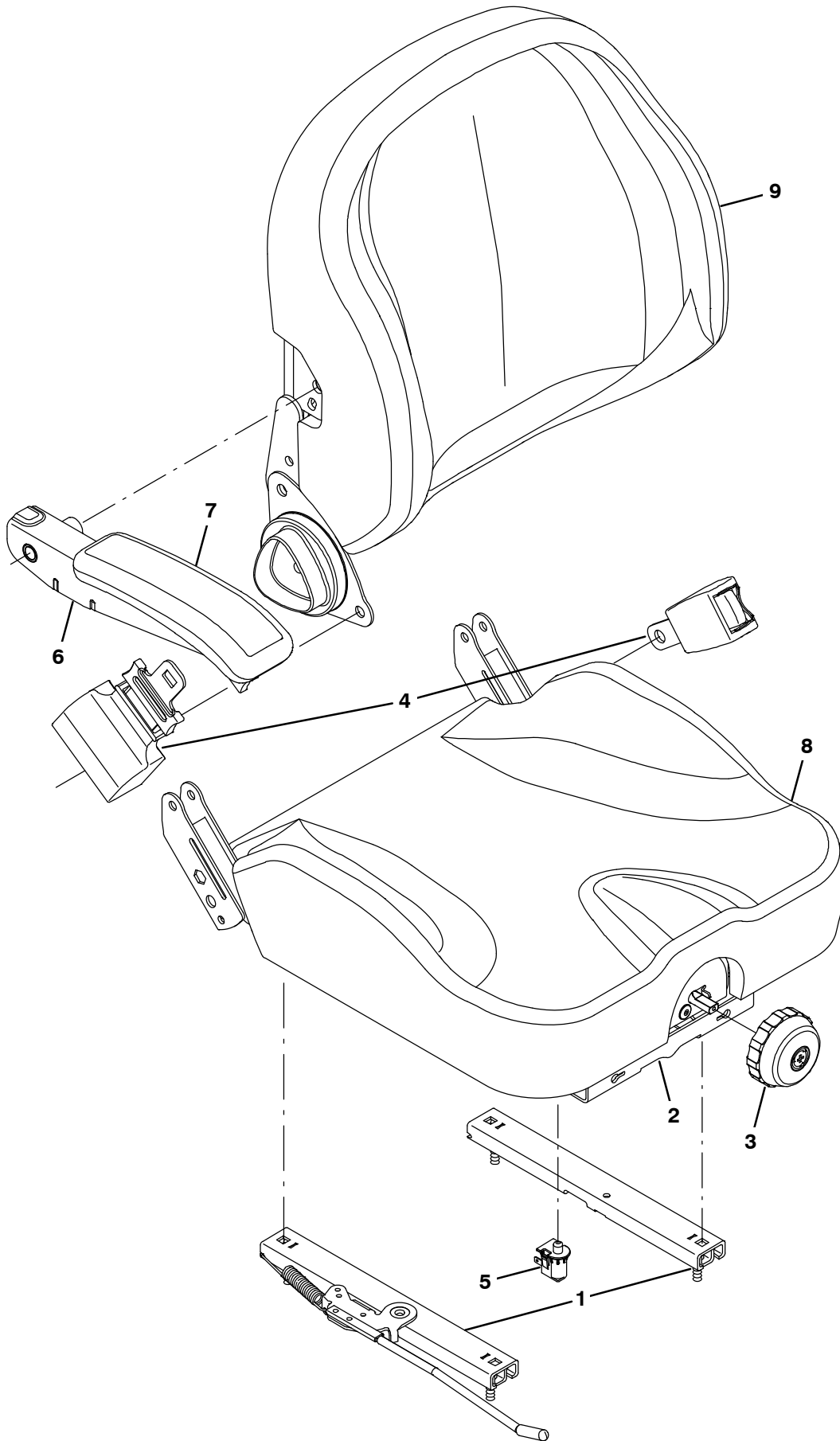
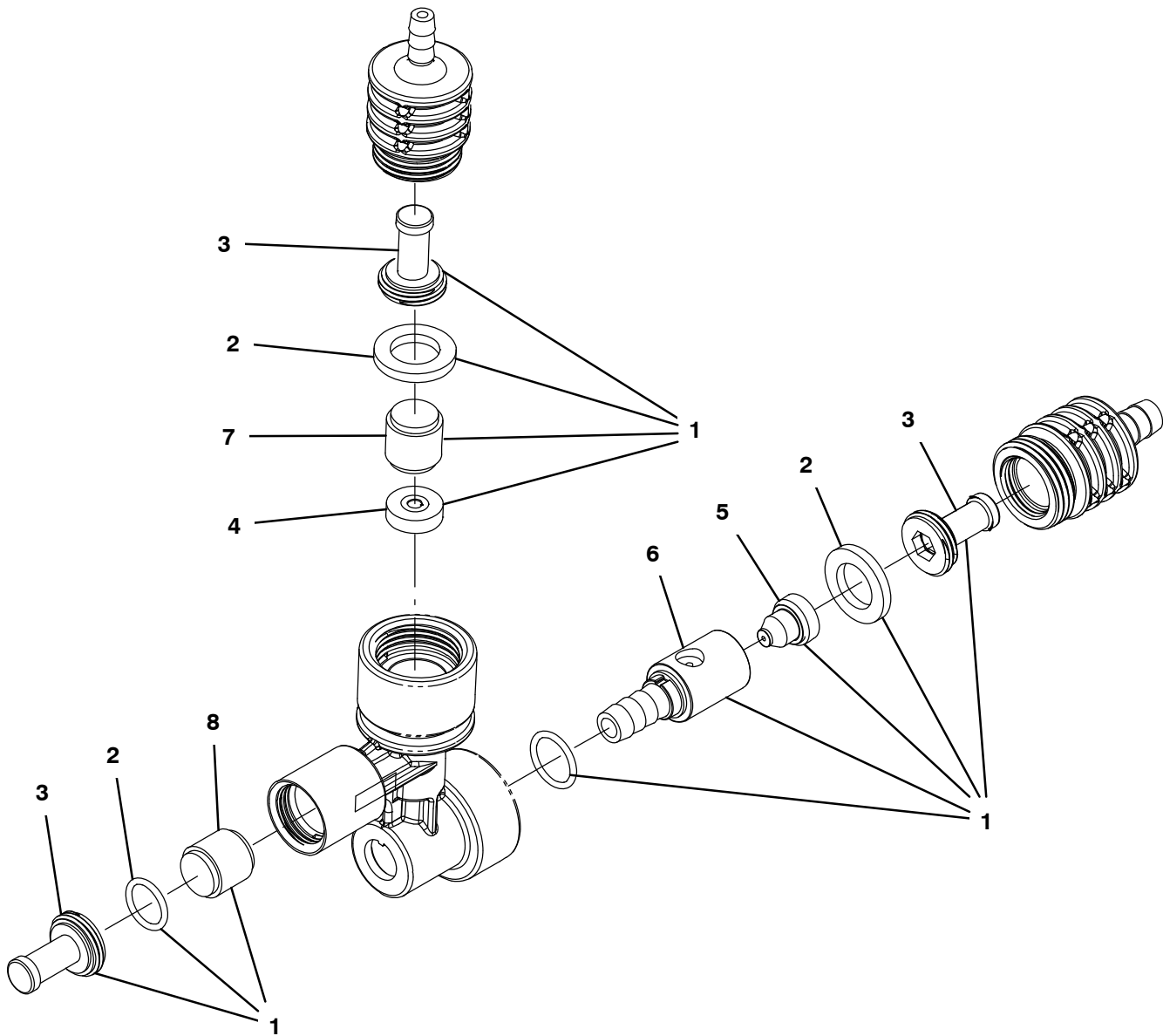


Fig. 18 – Seat Breakdown, 1072456

	Ref.	Part No.	Serial Number	Description	Qty.
▽		1072456	(000000–) Seat	1
▲	1	9012585	(000000–) Track Assy, Slide	1
▲	2	9012587	(000000–) Bellows, Seat	1
▲	3	9012589	(000000–) Knobs, Adjmt, Weight	1
▲	4	9012590	(000000–) Seatbelt	1
▲	5	9012591	(000000–) Switch, Seat	1
▲	6	9012592	(000000–) Armrest	1
▲	7	9012593	(000000–) Pad, Armrest	1
▲	8	9012594	(000000–) Cover, Cushion	1
▲	9	9012595	(000000–) Cover, Backrest	1

Fig. 19 – FaST Injector Assembly Breakdown, 9008868



356271

Ref.	Part No.	Serial Number	Description	Qty.
▽	9008868	(000000–) FaST Kit, Injector [M20/T20/m30 FaST III}	1
▲▽	1 9008757	(000000–) FaST Kit, Ci [inj Reblid, M30/M20 III]	1
▲▲	2 9008848	(000000–) FaST Kit, Seal, injector, Ci [FaST III]	1
▲▲	3 9003009	(000000–) FaST Kit, Ci, Injector Filters[FaST li+]	1
▲▲	4 1059878	(000000–) Plate Assy, Orifice, 0.0105ld, Green	1
▲▲	5 1042710	(000000–) Plug, Orifice, 0.060, Ss [FaST li+]	1
▲▲	6 1059234	(000000–) Insert, :Lrg [Venturi, FaST III]	1
▲▲	7 1030444	(000000–) Valve, Check, 0002psi [FaST li+]	1
▲▲	8 1030441	(000000–) Valve, Check, 0005psi [FaST li+]	1

SECTION 5

Contents	Page
Fig. 1 – Cylinder Head and Valves Group . . .	5-2
Fig. 2 – Crankshaft and Piston Group	5-4
Fig. 3 – Oil and Water Pump Group	5-6
Fig. 4 – Oil Pan and Filter Group	5-8
Fig. 5 – Manifold Group	5-9
Fig. 6 – Camshaft Group	5-10
Fig. 7 – Ignition Group	5-12

Fig. 1 - Cylinder Head and Valves Group

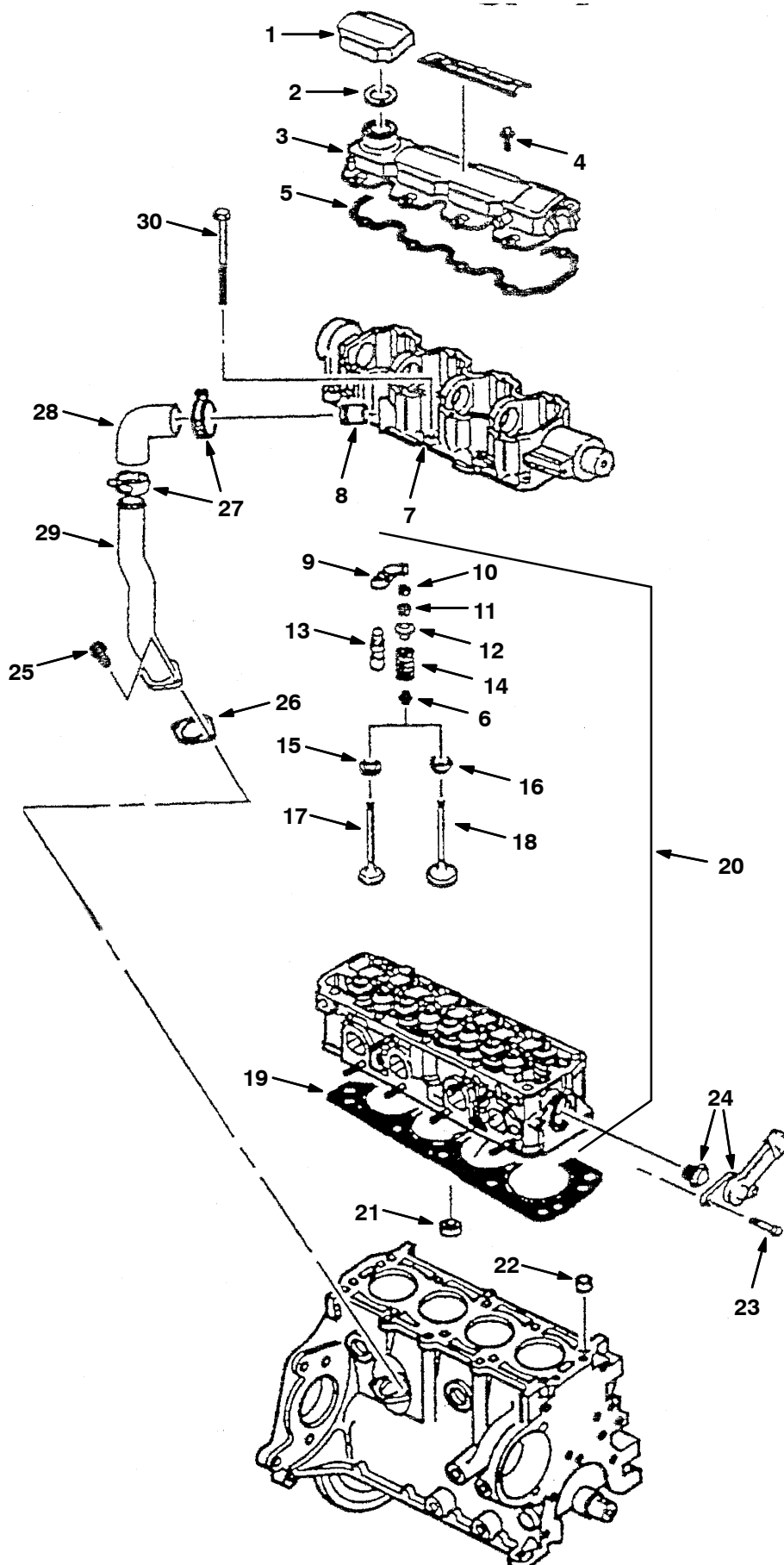


Fig. 1 – Cylinder Head and Valves Group

Ref.	Part No.	Description	Qty.
1	372574	Cap, Filler, Oil, W/ Org	1
2	372573	Seal, Org, Cap	1
3	372007	Cover, Hsng, Camshaft	1
4	371990	Bolt, Camshaft Cover	8
5	372008	Gasket, Cover, Hsng, Camshaft	1
6	9003345	Seal, Seat, Valve	8
7	372018	Housing, Camshaft	1
8	372019	Tube [Pcv]	1
9	372030	Arm, Rocker, Valve	8
10	372031	Seat, Spring, Valve, 0.333	8
11	372033	Key, Valve Stem	16
12	372034	Cap, Spring, Valve	4
13	372035	Screw, Adj, Valve, Hyd	8
14	372036	Spring, Valve	8
15	372037	Seat, Rotator, Valve	4
16	372032	Seat, Spring, Valve	4
17	372038	Valve, Exhaust	4
18	372039	Valve, Intake	1
19	372022	Gasket, Head, Cyl	1
20	372023	Head, Cyl	1
21	372024	Seat, Valve, Exhaust, [+0.2mm]	4
21	372025	Seat, Valve, Exhaust, Std	4
21	372026	Seat, Valve, Exhaust, [+0.4mm]	4
21	372027	Seat, Valve, Intake, Std	4
21	372028	Seat, Valve, Intake, [+0.2mm]	4
21	372029	Seat, Valve, Intake, [+0.4mm]	4
22	371999	Pin, Lock, Cyl Head, 14mm X 17mm	2
23	372048	Bolt, Hsng, Thermostat	2
24	372047	Thermostat, W/ Hsng And Seal	1
25	371957	Bolt, Tube [Pvc], M6 X 1 X 15	2
26	371958	Gasket, Tube [Pcv]	1
27	371954	Clamp, Hose, 1.75 [Pcv]	2
28	371955	Hose [Pcv]	1
29	371956	Tube [Pcv]	1
30	372882	Bolt, Head. Cyl	10

Fig. 2 - Crankshaft and Piston Group

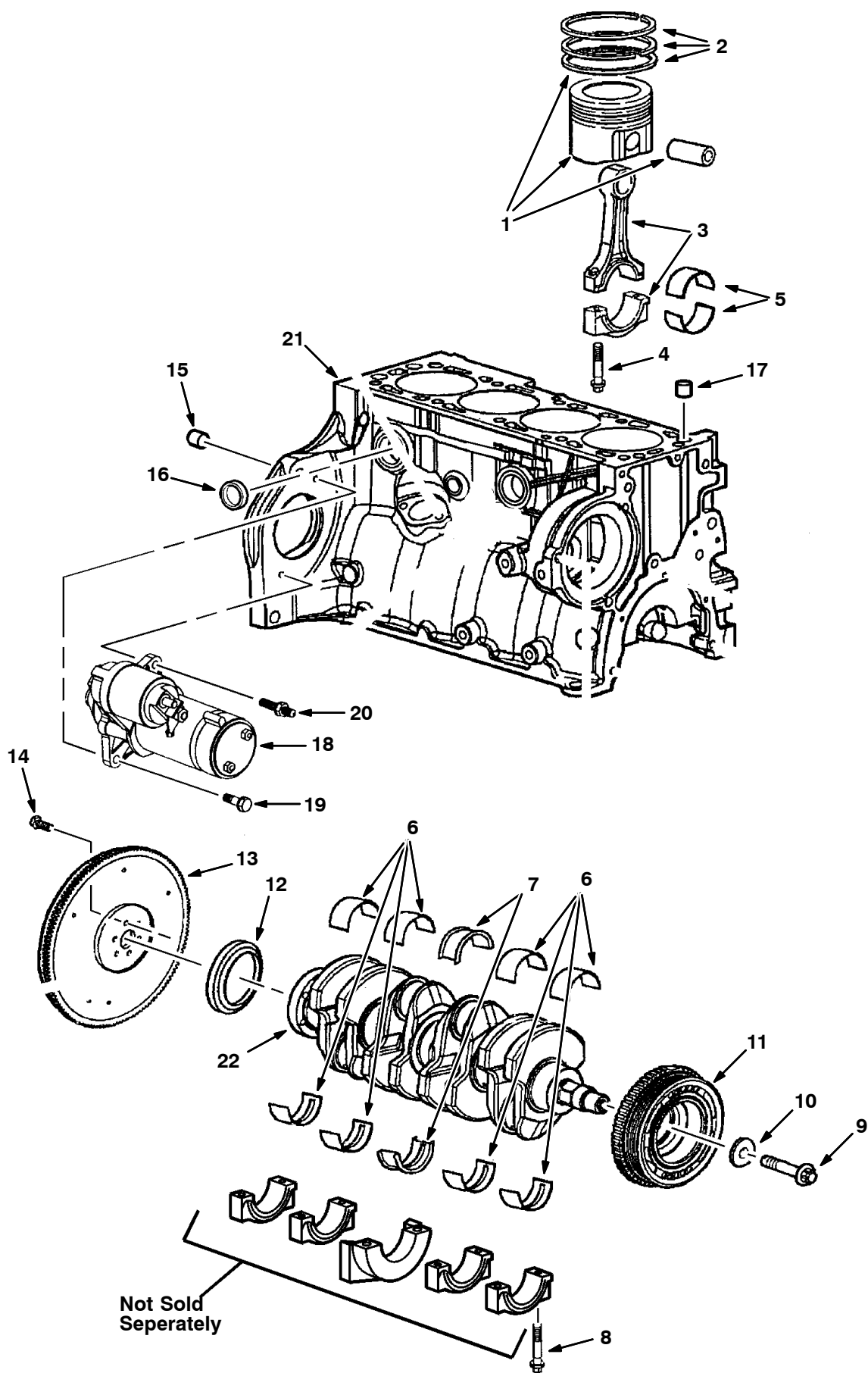


Fig. 2 – Crankshaft and Piston Group

Ref.	Part No.	Description	Qty.
▽	1 371932	Piston, W/ Pin, Std	1
▲	2 371931	Ring Kit, Piston, Std 78.95–79.02mm	4
	3 371934	Rod, Connecting, M08 X 45	4
	4 371935	Bolt, Connecting Rod	8
	5 371933	Bearing Kit, Rod, Connecting, Std	1
	6 371966	Bearing Kit, Cshft, 1.995–2.001mm (Brown Blue)	4
	6 371967	Bearing Kit, Cshft, 2.120–2.126mm	4
	6 371968	Bearing Kit, Cshft, 2.114–2.120mm (Green)	4
	6 371969	Bearing Kit, Cshft, 1.989–1.995mm (Std Brown)	4
	7 371970	Bearing Kit, Cshft, 1.989–1.995mm (Brown – Middle)	1
	7 371971	Bearing Kit, Cshft, 1.995–2.001mm (Green – Middle)	1
	8 371946	Bolt, M10 X 1.50 X 75mm	10
	9 371938	① Bolt, M12 X 1.75 X 62mm	1
	9 384961	② Bolt, Pulley, Cshft	1
	10 371937	Washer, Sheave, Cshft	1
	11 371936	Sheave, Cshft	1
	12 371945	Seal, Oil, Cshft	1
▽	13 371979	Flywheel	1
▲	371977	Gear, Ring, Starter	1
	14 371976	Bolt, Flywheel	6
	15 371978	Pin, Lock, Transmission	2
	16 371942	Plug, Hole, Coolant, Eng Block	6
	17 371999	Pin, Lock, Cyl Head, 14mm X 17mm	2
	18 371962	③ Starter, 12vdc [Gm] (Before Mar. 2006)	1
	18 384963	④ Starter, 12vdc [Delco] (Mar. 2006 and Newer)	1
	19 371963	① Bolt, M08 X 1.25 X 25mm	1
	19 384964	② Bolt, M08 X 1.25 X 25mm	1
	20 371964	Stud, Starter, M08 X 1.25	1
	21 371944	Block, Short, Eng, W/ Piston & Ring	1
	22 371965	Crankshaft	1

① Serial Number (000000–xxxxxx)

② Serial Number (xxxxxx–)

③ Serial Number (000000000–1PGL13150)

④ Serial Number (1PGL13151–)

Fig. 3 - Oil and Water Pump Group

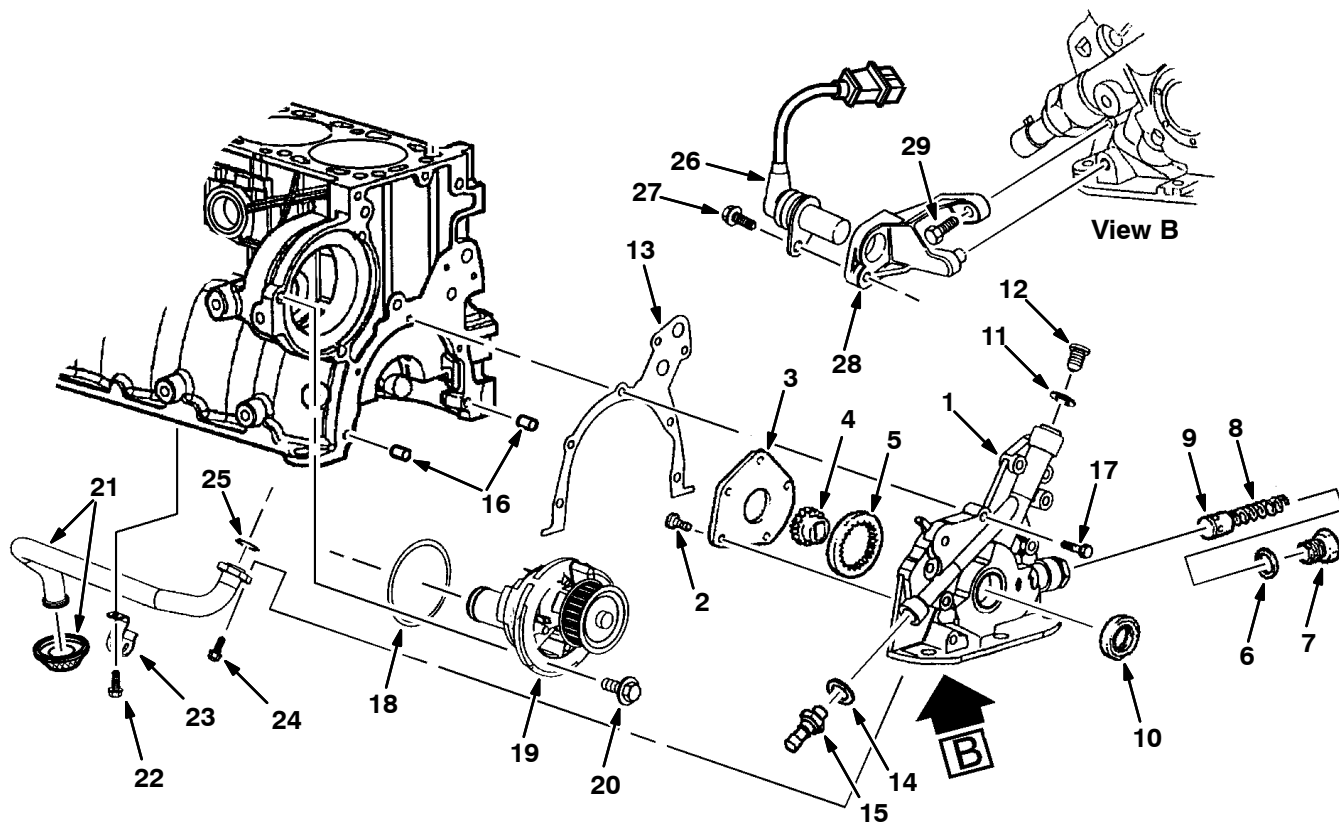


Fig. 3 – Oil and Water Pump Group

Ref.	Part No.	Description	Qty.
▽	1 372572	Pump, Oil	1
▲	2 371947	Bolt, Cover, Oil Pump, M6 X 14	5
▲	3 371948	Cover, Pump, Oil	1
▲	4 371949	Gear, Ring, Drive, Oil Pump	1
▲	5 371950	Gear, Drive, Oil Pump	1
▲	6 371998	Gasket, Plug, Relief Valve, Oil Press	1
▲	7 371994	Plug, Bore, Valve, Relief, Oil Press	1
▲	8 371993	Spring, Valve, Relief, Oil Press	1
	9 371997	Valve, Relief, Oil Press	1
	10 372005	Seal, Org, Oil Pump	1
	11 371951	Seal, Org, Hsng, Oil Pump	1
	12 371952	Plug, Hsng, Oil Pump	1
	13 371984	Gasket, Pump, Oil	1
	14 371987	Seal, Org, Press Switch / Drain Plug	1
	15 371996	③ Switch, Indicator, Oil Press	1
	15 9008197	④ Switch, Indicator, Oil Press [2010]	1
	16 371983	Pin, Ring, Lock, Hsng, Water Pump	2
	17 371986	Bolt, Pump, Oil	6
	18 372567	Seal, Org, Water Pump	1
	19 371981	Pump, Water [Gm]	1
	20 371980	Bolt, Cover, Water Pump	3
	21 372001	Screen, Oil Pump, W/ Suc Pipe	1
	22 371991	Bolt, Bracket, Screen, Oil Pump, M6x1x1	1
	23 372000	① Bracket, Screen, Oil Pump	1
	23 384966	② Bracket, Screen, Oil Pump	1
	24 371990	Bolt, Oil Pump Screen/Camshaft Cover	2
	25 371988	Seal, Ring, Pipe, Suc, Oil Pump	1
	26 372002	Sensor, Position, Cshft	1
	27 384968	Bolt, Bracket, Sensor, Cshft Position	1
	28 372003	Bracket, Sensor, Position, Cshft	1
	29 372004	Bolt, Sensor, Position, Cshft	3

① Serial Number (000000–xxxxxx)

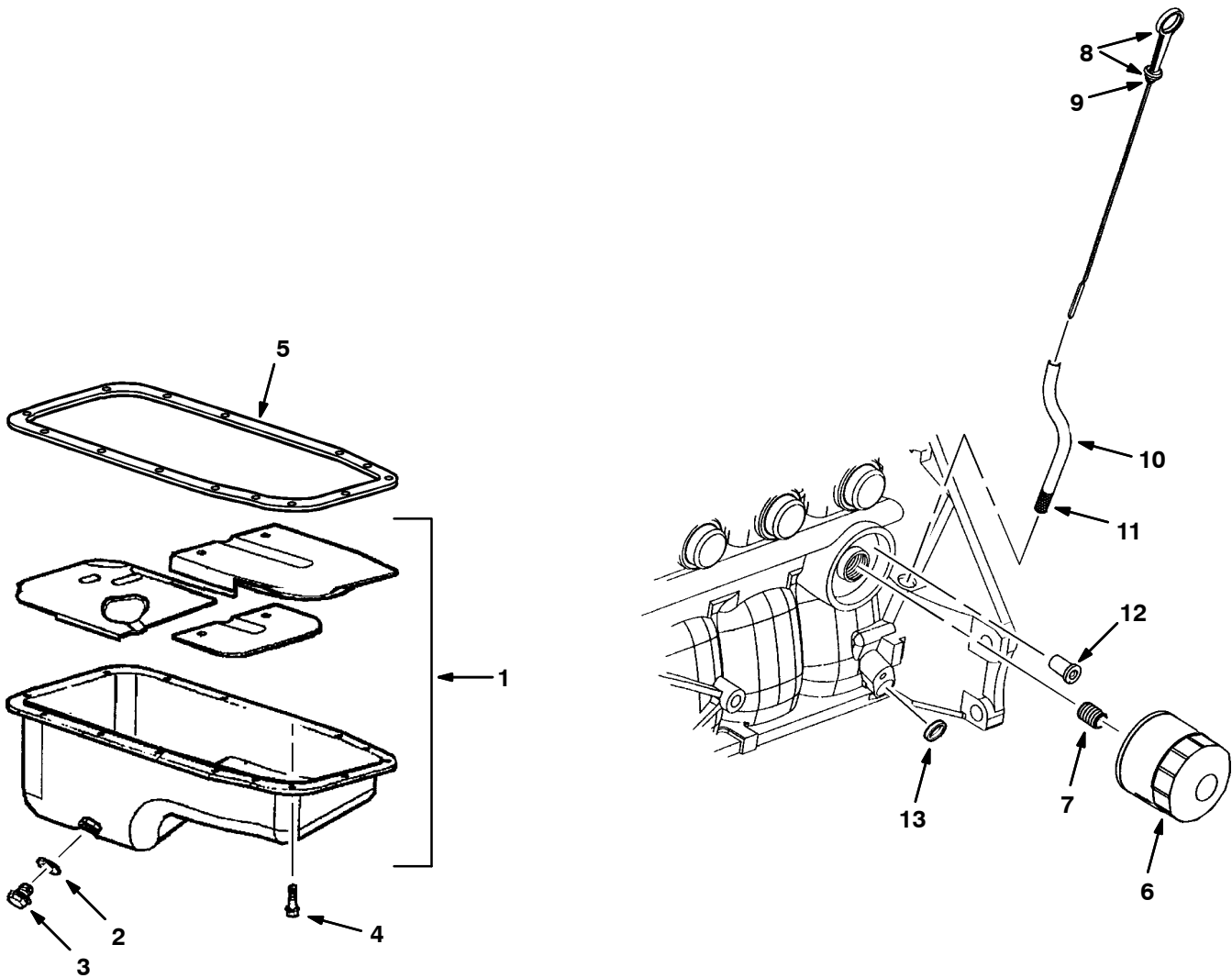
② Serial Number (xxxxxx–)

③ Tennant Serial number (000000–003122)

④ Tennant Serial number (003123–)

GM 1.6L ENGINE BREAKDOWN

Fig. 4 – Oil Pan and Filter Group



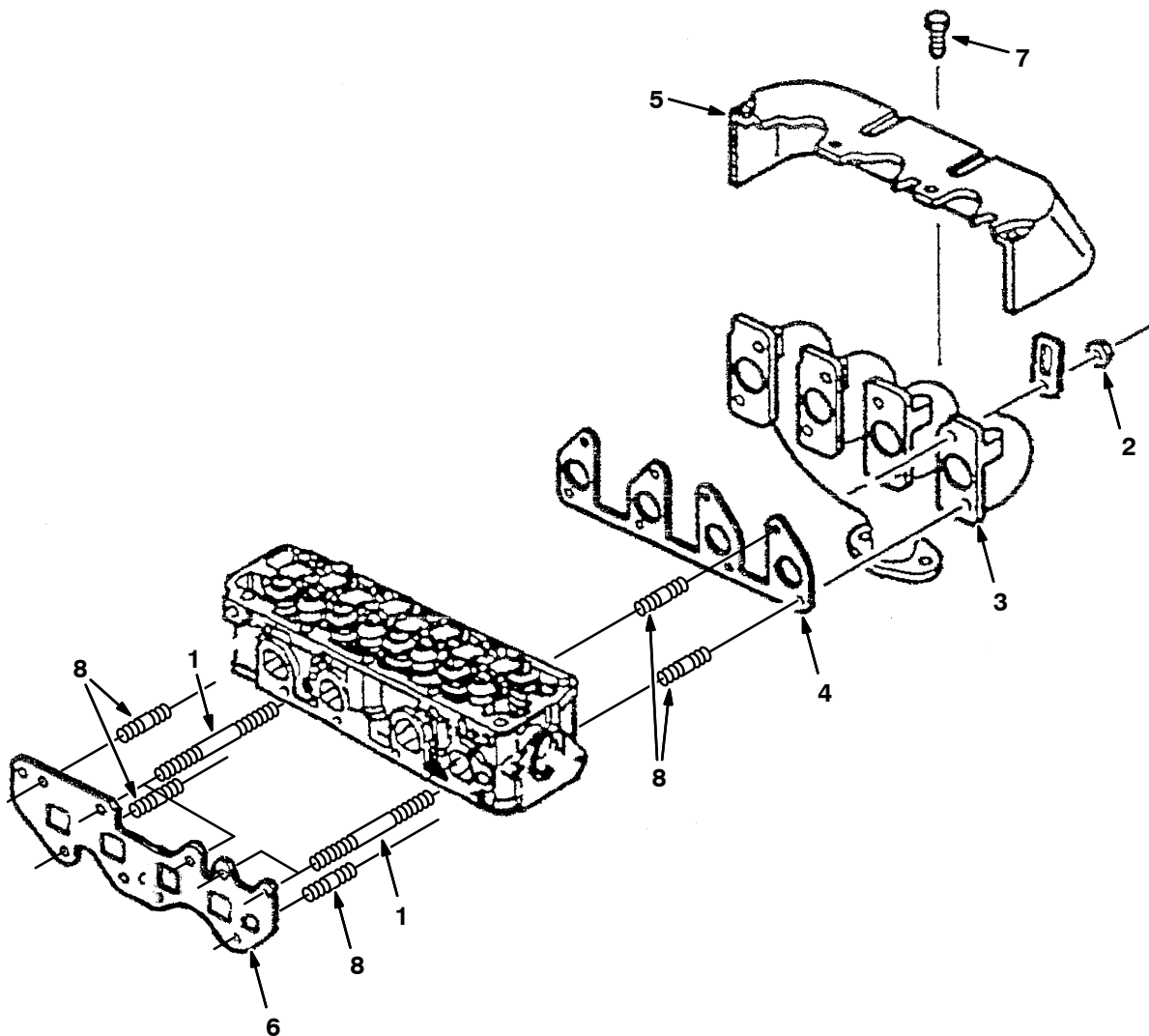
G, LP

Ref.	Part No.	Description	Qty.
▽	1 371960	Pan, Oil, W/ Baffle / Plug / Seal	1
▲	2 371987	Seal, Org, Press Switch / Drain Plug	1
▲	3 371992	Plug, Drain, Oil Pan, M14 X 1.5 X 12	1
	4 371961	① Bolt, M06 X 1.00 X 13mm	15
	4 384962	② Bolt, Pan, Oil	15
	5 371959	Gasket, Pan, Oil	1
	6 371972	Element, Fltr, Oil, Eng, Spin-On (GM)	1
	7 371973	Fitting, Fltr, Oil	1
▽	8 372560	Dipstick, Oil	1
▲	9 371995	Seal, Org, Cap, Fltr, Oil	1
	10 371940	Tube, Ds	1
	11 371941	Sealant, Tube, Ds	1
	12 371975	Valve, By-Pass, Oil Fltr	1
	13 371943	Plug, Hole, Core, Eng Block	1

① Serial Number (000000-xxxxxx)

② Serial Number (xxxxxx-)

Fig. 5 - Manifold Group



G, LP

Ref.	Part No.	Description	Qty.
1	372021	Stud, Manifold, M8 X 96	4
2	372049	Nut, Manifold, Exhaust, M8 X 1.25	8
3	372050	Manifold, Exhaust	1
4	372051	Gasket, Manifold, Exhaust	1
5	372052	Shield, Manifold, Exhaust	1
6	372053	Gasket, Manifold, Intake	1
7	372066	Bolt, Shield, Manifold, Exhaust	5
8	372020	Stud, Manifold, M8 X 28	13

Fig. 6 - Camshaft Group

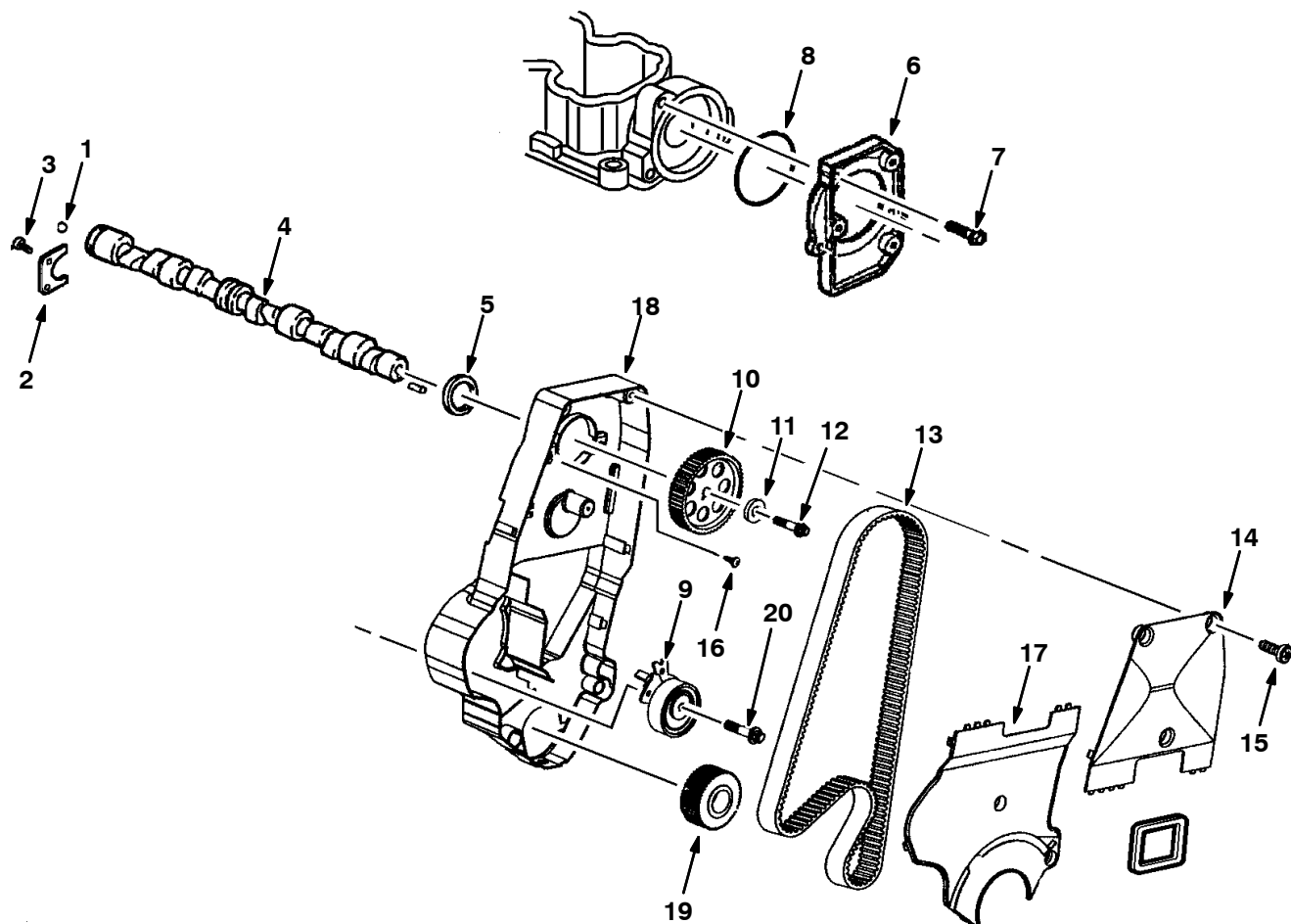
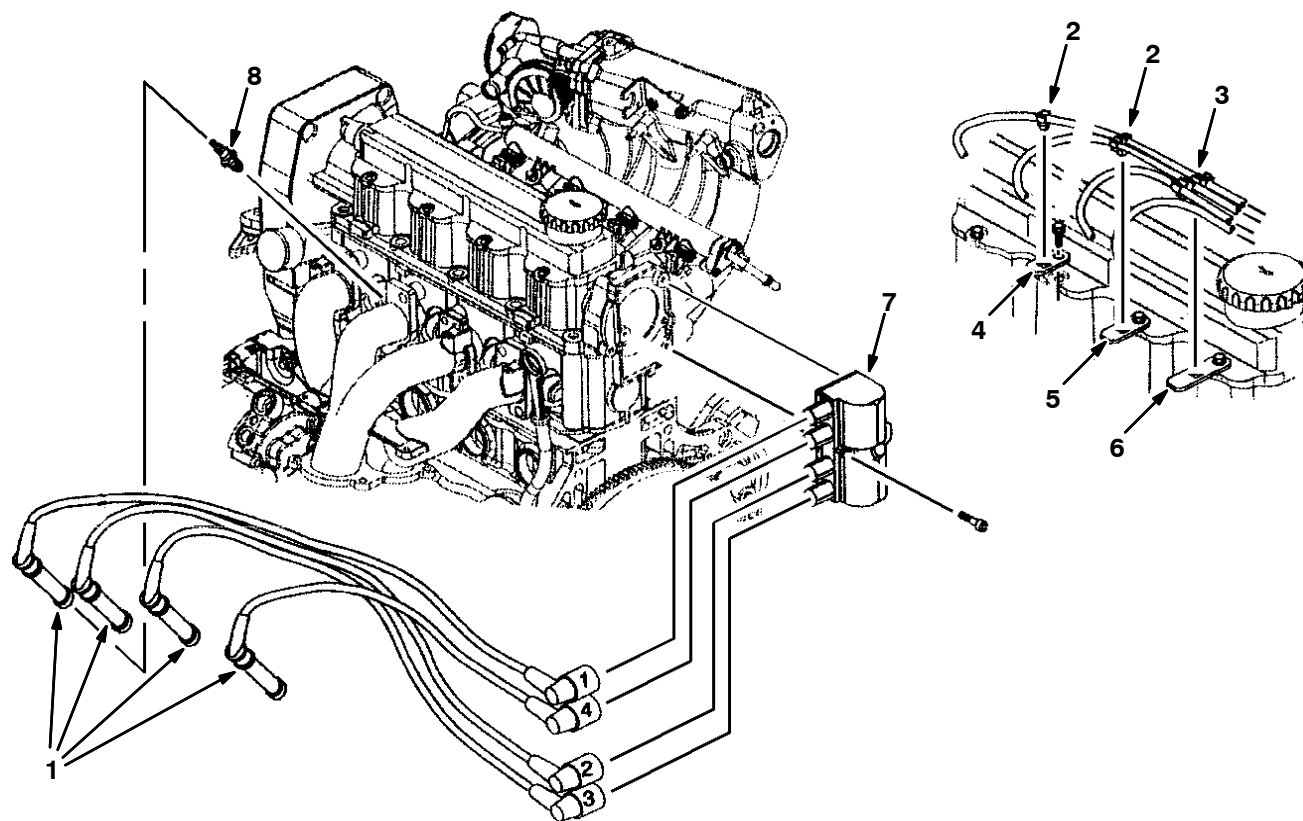


Fig. 6 – Camshaft Group

Ref.	Part No.	Description	Qty.
1	372009	Ball, Camshaft	1
2	372010	Retainer, Camshaft	1
3	372011	Bolt, Retainer, Camshaft, M6 X 1 X 16	2
4	372012	Camshaft	1
5	372013	Seal, Org, Bolt, Cover, Camshaft Hsng	1
6	372014	Cover, Hsng, Camshaft	1
7	372015	Bolt, Cover, Camshaft, M6 X 1 X 22	3
8	372016	Seal, Org, Bolt, Cover, Camshaft Hsng	1
9	9004674	Pulley, Tension, Belt, Timing	1
10	372040	Sprocket, Camshaft	1
11	372017	Washer, Sprkt, Camshaft	1
12	372041	Bolt, Sprocket, Camshaft, M10x1.25x60	1
13	1057029	Belt, Timing [Gm1.6l]	1
14	372043	Cover, Belt, Timing, Upper Front	1
15	371961	Bolt, Eng Cover, M6 X 1 X 13	6
16	372046	Bolt, Tensioner, Timing Belt, M8x1.25x48	1
17	372044	Cover, Belt, Timing, Lower Front	1
18	372616	Housing, Camshaft	1
19	388552	Sprocket, Crankshaft	1
20	9004675	Bolt, Tensioner [GM]	1

Fig. 7 - Ignition Group



G, LP

Ref.	Part No.	Description	Qty.
1	372603	Wire Set, Sparkplug [1.6l]	1
2	372055	Retainer, Sparkplug, 2 Way	2
3	372056	Retainer, Sparkplug, 3 Way	1
4	372057	Bracket, Retaining, Wire, Sparkplug	1
5	372058	Bracket, Retaining, Wire, Sparkplug	1
6	372059	Bracket, Retaining, Wire, Sparkplug	1
7	372060	Coil, Ignition	1
8	372575	Sparkplug	4

SECTION 6

Contents	Page
Fig. 1 – Cylinder Block Group	6-2
Fig. 2 – Rocker Cover Group	6-4
Fig. 3 – Cylinder Head Group	6-5
Fig. 4 – Front Cover and Oil Pan Group	6-6
Fig. 5 – Camshaft and Valve Group	6-8
Fig. 6 – Piston and Crankshaft Group	6-10
Fig. 7 – Balancer Group	6-11
Fig. 8 – Oil Pump and Pressure Switch Group	6-12
Fig. 9 – Water Pump Group	6-13
Fig. 10 – Intake Manifold Gasket Group ...	6-14
Fig. 11 – Exhaust Manifold Gasket Group ..	6-16
Fig. 12 – Fan Tensioner and Pump Mount Group	6-17
Fig. 13 – Flywheel Group	6-18
Fig. 14 – Ignition Coil and Spark Plug Group	6-19
Fig. 15 – Starter / Alternator Group	6-20
Fig. 16 – Remote Oil Filter Group	6-21
Fig. 17 – Coolant Group	6-22
Fig. 18 – DSR Coolant Group, LPG Engine	6-23
Fig. 19 – Electrical Group	6-24
Fig. 20 – Fuel Rail Group, Gasoline Engine	6-26
Fig. 21 – Throttle Body Group, Gasoline Engine	6-27
Fig. 22 – Throttle Body Group, LPG Engine	6-28
Fig. 23 – Vaporizer Group, LPG Engine ...	6-29
Fig. 24 – Electronic Pressure Regulator (EPR) Group, LPG Engine	6-30

Fig. 1 - Cylinder Block Group

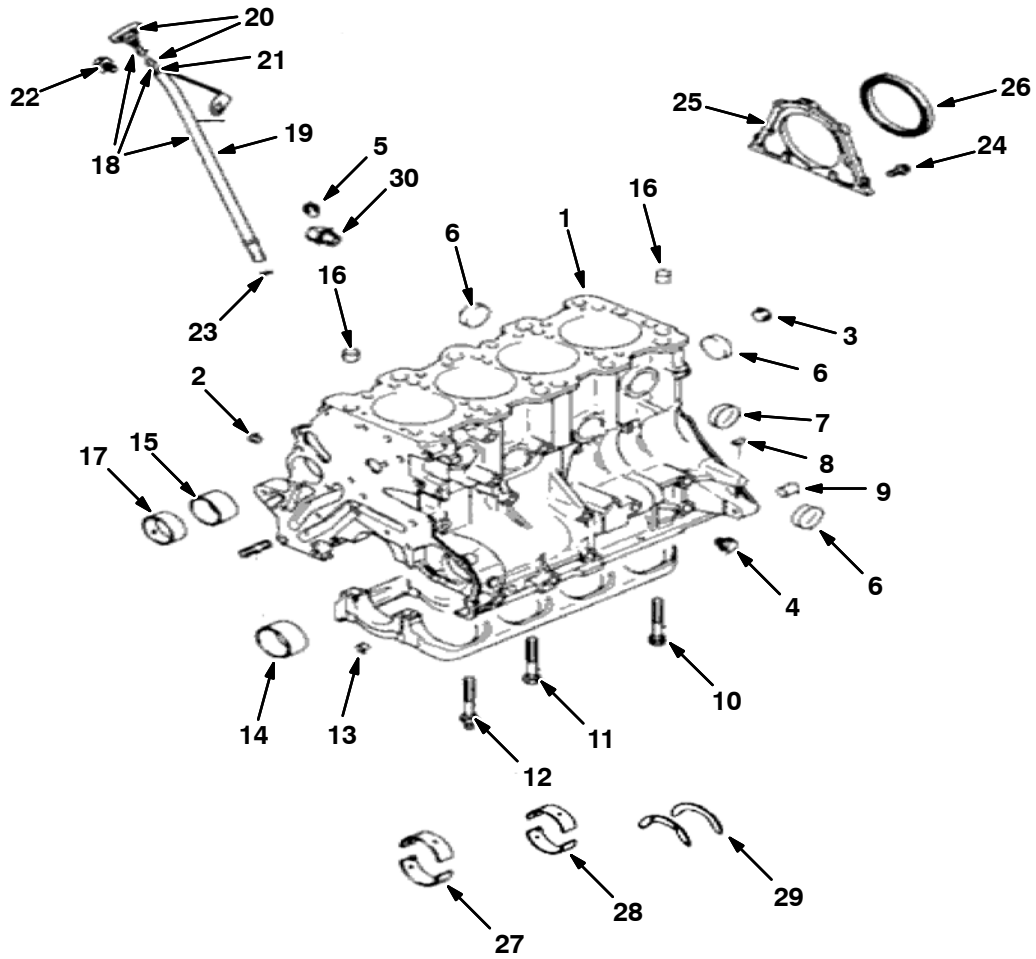
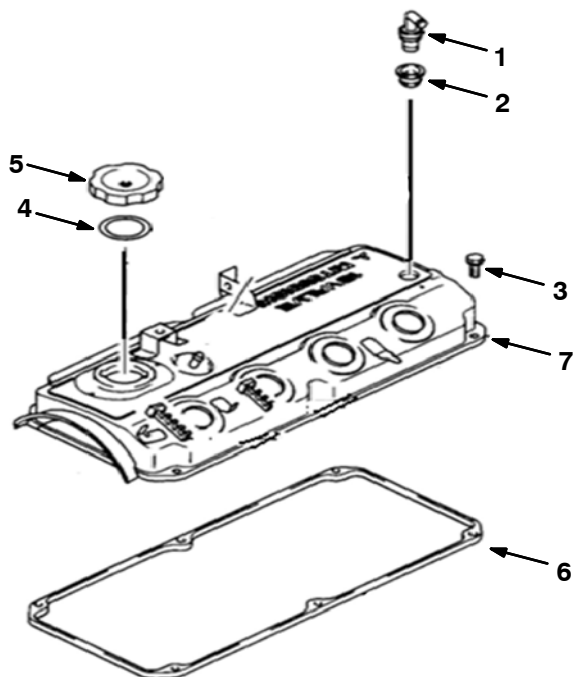


Fig. 1 – Cylinder Block Group

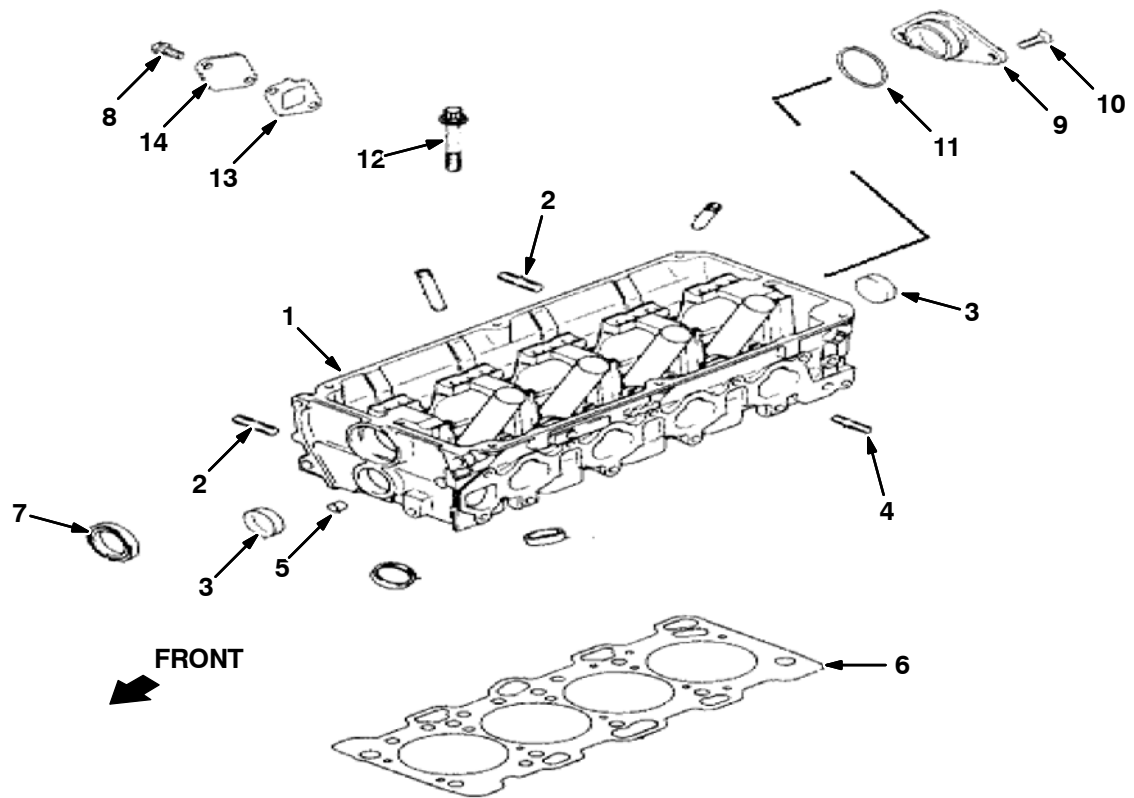
	Ref.	Part No.	Description	Qty.
▽	1	9010419	Block Assy, Cylinder	1
▲	2	9010420	Plug, Taper	2
▲	3	9010421	Plug, Taper	1
▲	4	9010422	Plug	1
▲	5	9010423	Plug, Taper	1
▲	6	9010424	Cap, Seal	7
▲	7	9010425	Cap, Seal	2
▲	8	9010426	Pin, Dowel	2
▲	9	9010427	Bushing, Knock	2
▲	10	9010428	Bolt, Cap, Bearing	2
▲	11	9010429	Bolt, Cap, Bearing	7
▲	12	9010430	Bolt, Cap, Bearing	1
▲	13	9010431	Bushing	2
▲	14	9010432	Bearing, Std, Balancer	1
▲	14	9010433	Bearing, Oversize [1.0]	1
▲	15	9010434	Bearing, Std, Balancer	1
▲	15	9010435	Bearing, Oversize [1.0]	1
▲	16	9010436	Bushing, Knock	2
▲	17	9010458	Bearing, Shaft, Std, Balancer	1
▲	17	9010459	Bearing, Shaft, Balancer [OvrSz]	1
▽	18	9010439	Dipstick Assy, Guage	1
▲	19	9010440	Dipstick, Guage, Guide	1
▲▽	20	9010437	Dipstick, Rod, Guage	1
▲▲	21	9010438	O-Ring	1
	22	9010441	Bolt, Flange	1
	23	9010442	O-Ring	1
	24	9010444	Bolt, Flange	5
	25	9010445	Seal, Case, Oil, Rear	1
	26	9010446	Seal, Oil	1
	27	9010447	Bearing, Cshft [Green Std 1,2,4,5]	4
	27	9010448	Bearing, Cshft [Yellow Std 1,2,4,5]	4
	27	9010449	Bearing, Cshft[No Color Std 1,2,4,5]	4
	27	9010450	Bearing, Cshft [Lan Std 1,2,4,5]	4
	27	9010451	Bearing, Cshft [Red Std 1,2,4,5]	4
	28	9010452	Bearing, Cshft [Green Std 3]	1
	28	9010453	Bearing, Cshft [Yellow Std 3]	1
	28	9010454	Bearing, Cshft [No Color Std 3]	1
	28	9010455	Bearing, Cshft [Lan Std 3]	1
	28	9010456	Bearing, Cshft [Black Std 3]	1
	29	9010457	Bearing, Thrust, Cshft	1
	30	9010443	Drain, Water, Joint	1

Fig. 2 - Rocker Cover Group



Ref.	Part No.	Description	Qty.
1	9010460	Valve, Pcv	1
2	9010461	Valve, Gasket, Pcv	1
3	9010462	Bolt, Rocker, Cover	6
4	9010463	Gasket, Oil, Filler, Cap	1
5	9010464	Cap, Oil, Filler	1
6	9010465	Gasket, Cover, Rocker	1
7	9010466	Cover Assy, Rocker	1

Fig. 3 – Cylinder Head Group



Ref.	Part No.	Description	Qty.
▽	1	9010467 1 Head Assy, Cylinder	1
▲	2	9010473 Stud	2
▲	3	9010469 Seal, Cap	2
▲	4	9010470 Stud	3
▲	5	9010431 Bushing	2
▽	1	9014162 2 Head Kit, Cyl [Mitsubishi 2015 12mm]	1
▲	2	9010473 Stud	2
▲	3	9010469 Seal, Cap	2
▲	4	9010470 Stud	3
▲	5	9010431 Bushing	2
	6	9010468 Gasket, Cylinder, Head	1
	7	9010471 Seal, Cam Shaft, Front	1
	8	9010441 Bolt, Flange	2
	9	9010480 Thurst, Case	1
	10	9010481 Screw	2
	11	9010482 O-Ring	1
	12	9010484 Cylinder Assy, Head, Bolt	10
	13	9010483 Gasket	1
	14	9010485 Cover	1

1 Serial Number (006000–007114)

2 Serial Number (007115–)

Fig. 4 - Front Cover and Oil Pan Group

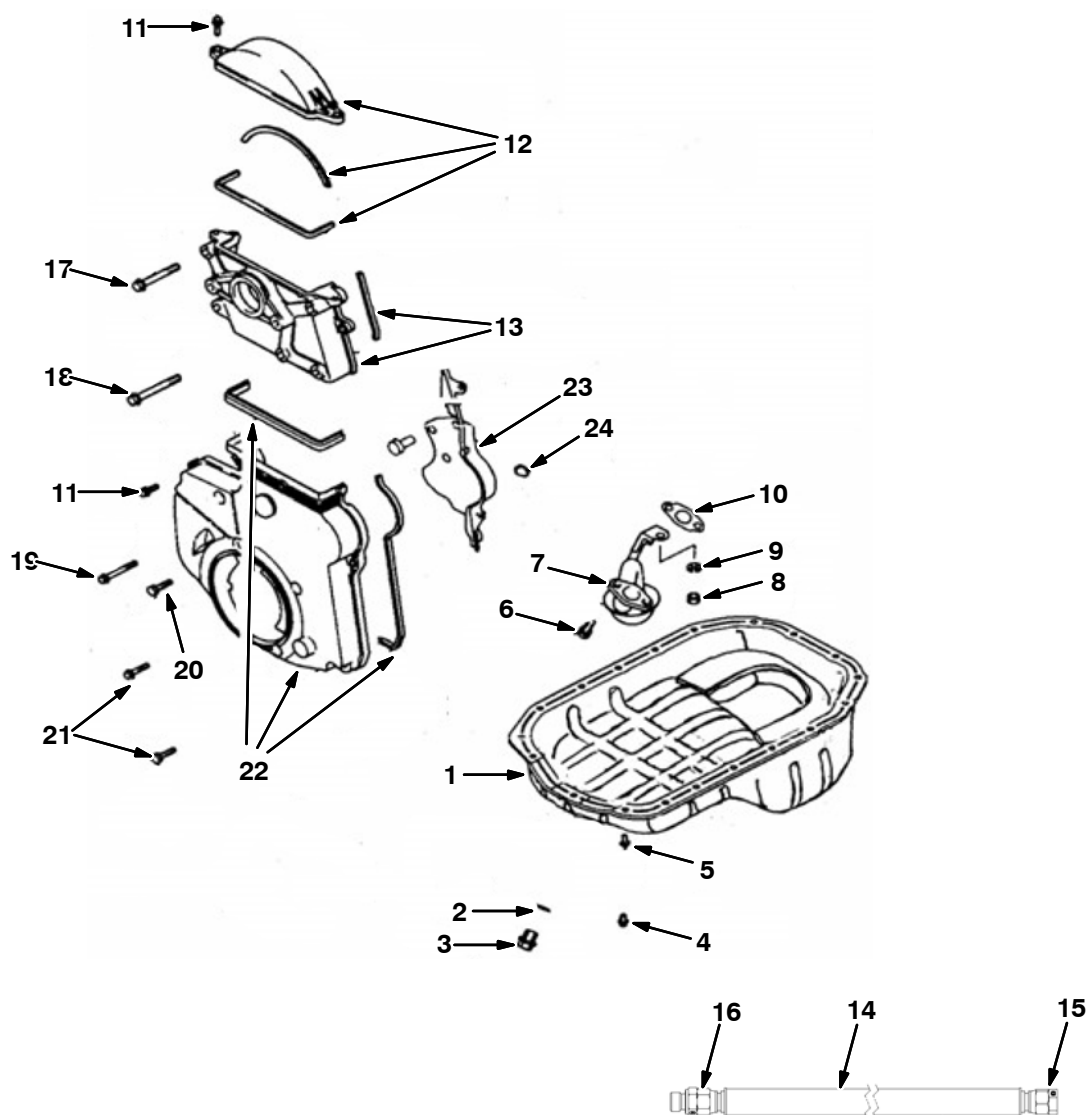


Fig. 4 – Front Cover and Oil Pan Group

	Ref.	Part No.	Description	Qty.
▽	1	9010487	Pan, Oil	1
▲	2	9010488	Gasket, Plug, Drain, Oil	1
▲	3	9010489	Plug, Oil, Drain	1
	4	9010490	Bolt, Flange	17
	5	9010491	Bolt, Flange	2
	6	9010492	Washer, Bolt	2
	7	9010493	Screen, Oil	1
	8	9010494	Nut, Strainer	1
	9	9010495	Washer, Strainer	1
	10	9010496	Gasket, Screen	1
	11	9010497	Bolt, Flange	8
	12	9010498	Cover Assy, Front, Upper [T-Belt]	1
	13	9010502	Bracket Assy, Coil, Ignition	1
	14	9010311	Hose, Drain, Oil [Mit 20/24m]	1
	15	9010312	Plug, Flare, 37deg [Mit]	1
	16	9010313	Fitting, 37deg [Mit]	1
	17	9010503	Bolt, Flange	3
	18	9010504	Bolt, Flange	1
	19	9010505	Bolt, Flange	1
	20	9010506	Bolt	2
	21	9010507	Bolt	2
	22	9010508	Cover, Lower, Front [T-Belt]	1
	23	9010511	Cover, Rear [T-Belt]	1
	24	9010512	Plug, Rubber	1

Fig. 5 - Camshaft and Valve Group

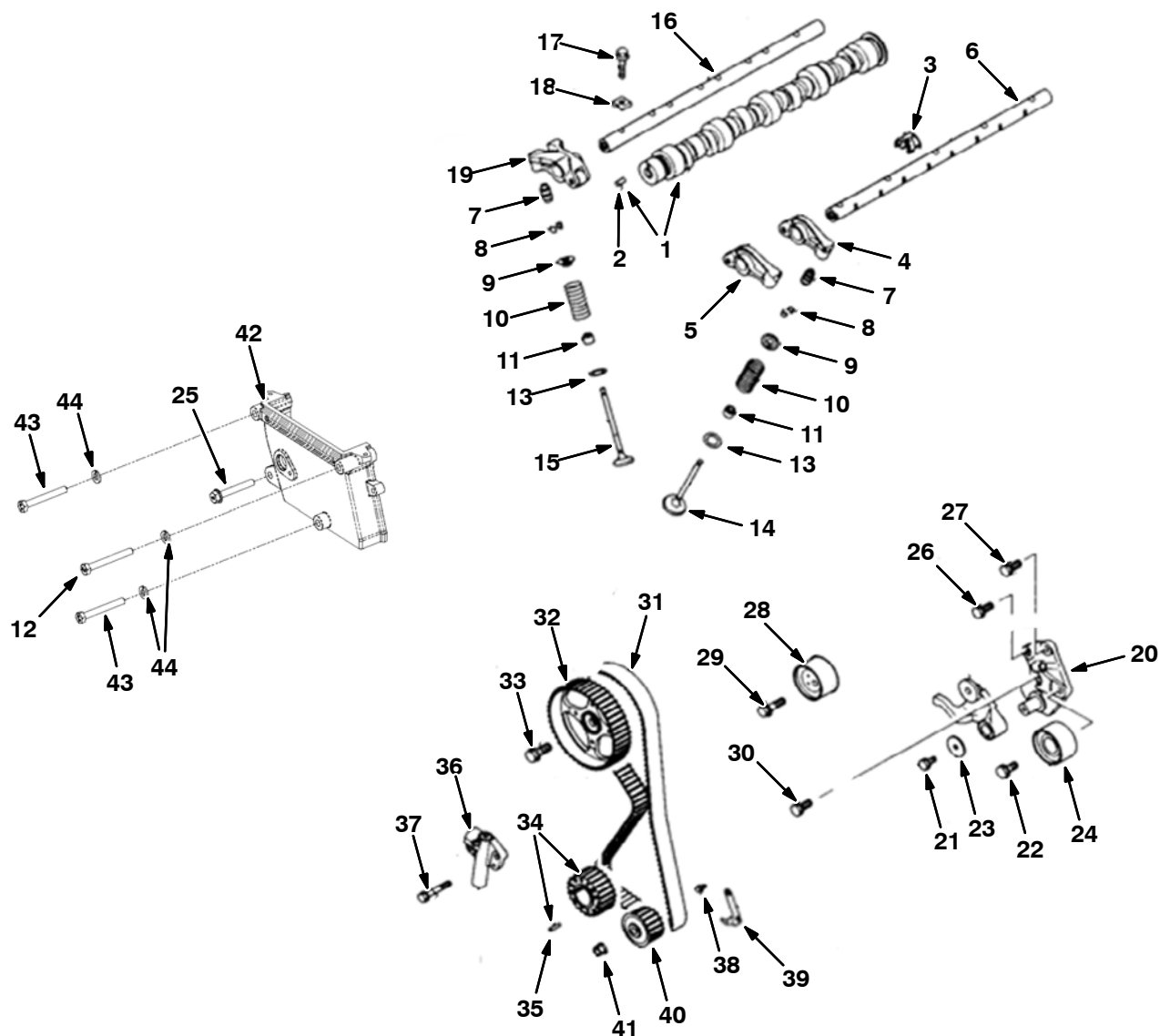
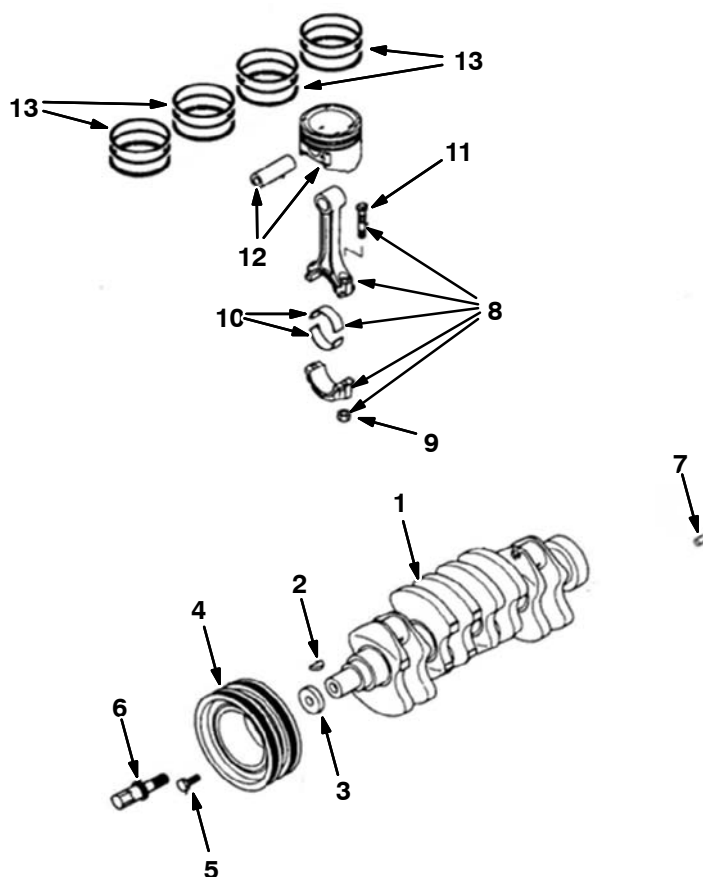


Fig. 5 – Camshaft and Valve Group

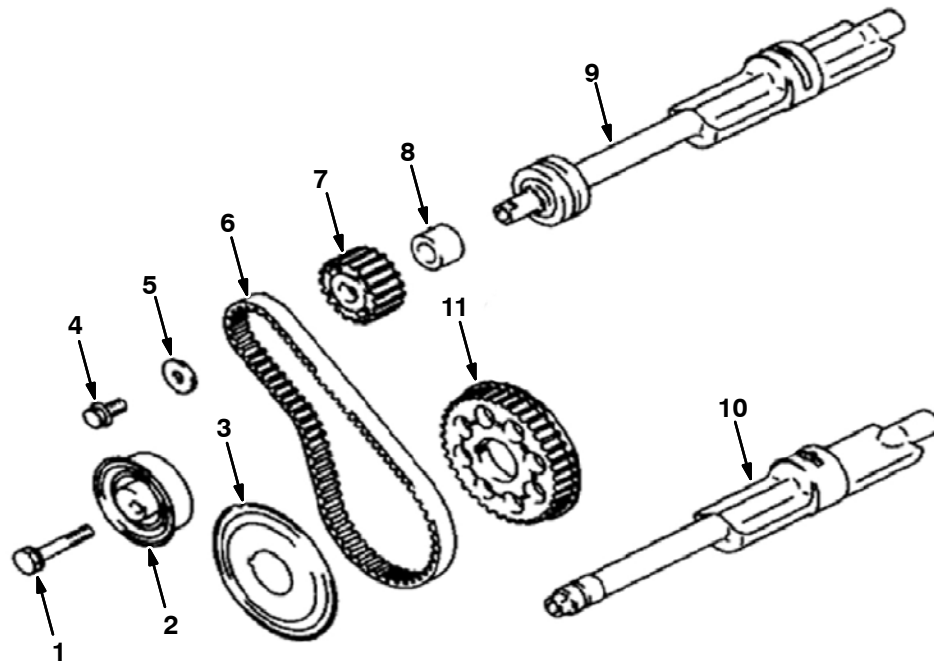
	Ref.	Part No.	Description	Qty.
▽	1	9010530	Camshaft Assy	1
▲	2	9010535	Pin, Dowel	1
	3	9010532	Shaft, Spring, Rocker	4
	4	9010533	Arm Assy, Rocker [B]	4
	5	9010534	Arm Assy, Rocker [A]	4
	6	9010531	Shaft, Arm , Rocker	1
	7	9010536	Adjuster Assy, Lash	16
	8	9010537	Valve, Spring, Lock	32
	9	9010538	Valve, Spring, Retainer	16
	10	9010539	Valve, Spring	16
	11	9010540	Valve, Seal, Stem	16
	12	9010253	Bolt, M8–1.25 X 70 Hxhd [Mit]	1
	13	9010541	Valve, Spring, Seat	16
	14	9010542	Valve, Inlet	8
	15	9010543	Valve, Exhaust	8
	16	9010544	Shaft, Arm, Rocker	1
	17	9010545	Bolt, Flange	13
	18	9010546	Shaft, Cap, Rocker	13
	19	9010547	Arm Assy, Rocker [C]	4
▽	20	9010548	Bracket, Pulley, Tensioner	1
▲	21	9010549	Bolt, Washer	1
▲	22	9010550	Bolt, Washer	1
▲	23	9010551	Washer	1
▲	24	9010552	Pulley, Idler	1
	25	9010254	Bolt, M8–1.25 X 55 Fi Hd [Mit]	1
	26	9010554	Bolt, Seal	1
	27	9010555	Bolt, Washer	1
	28	9010556	Pulley, Tensioner	1
	29	9010557	Bolt, Washer	1
	30	9010550	Bolt, Washer	1
	31	9010559	Belt, Timing	1
	32	9010560	Sprocket, Camshaft	1
	33	9010561	Bolt, Flange	1
▽	34	9010562	Sprocket Assy, Cshft	1
▲	35	9010563	Pin, Spring	1
	36	9010564	Tensioner	1
	37	9010565	Bolt, Flange	2
	38	9010491	Bolt, Flange	2
	39	9010567	Bracket, Indicator, Timing	1
	40	9010568	Sprocket, Pump, Oil	1
	41	9010569	Nut	1
	42	9010250	Cover, Timing, Gear [Mit 2.0/2.4]	1
	43	9010251	Bolt, M8–1.25 X 65 Hxhd [Mit]	2
	44	9010252	Washer, Lock, M8 [Mit]	3

Fig. 6 – Piston and Crankshaft Group



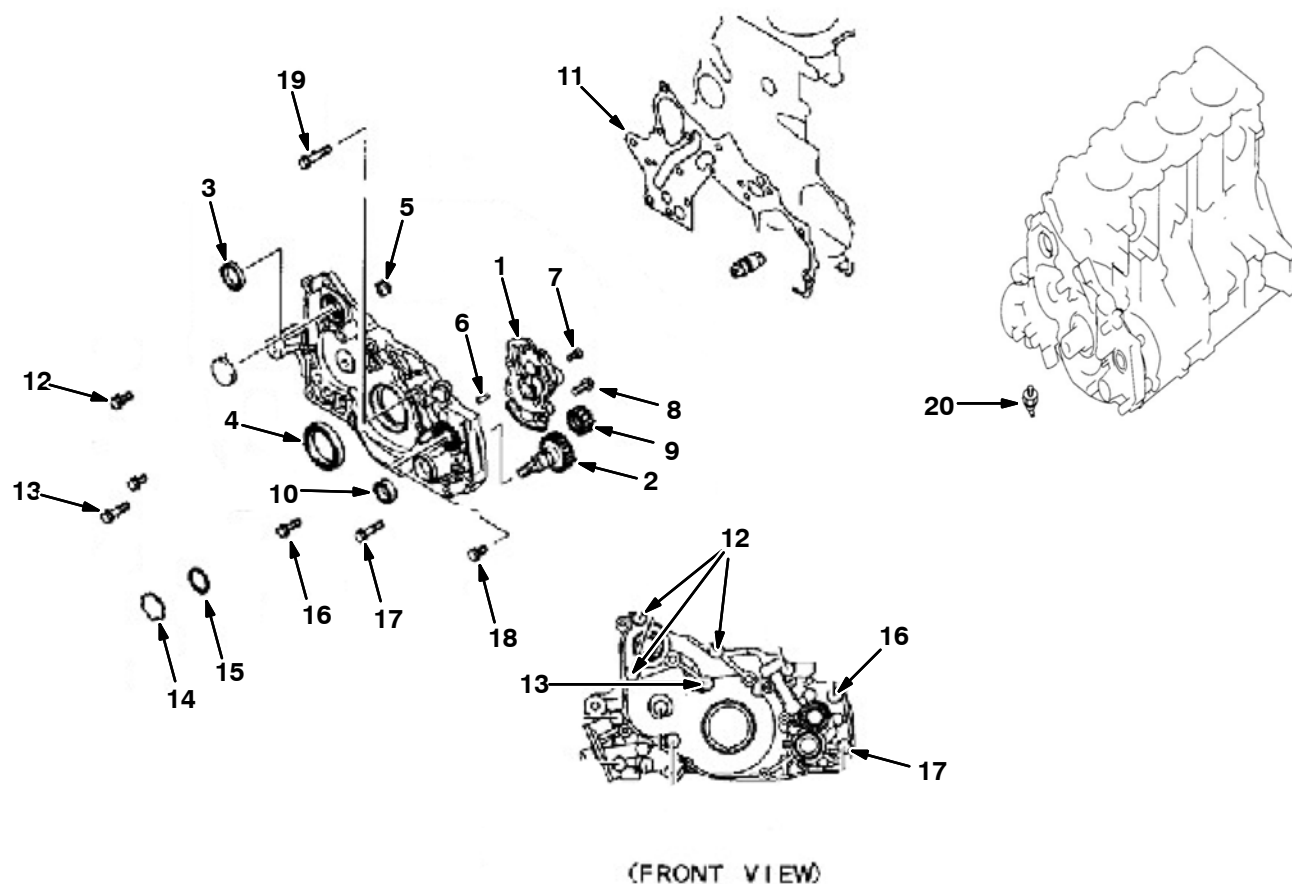
Ref.	Part No.	Description	Qty.	
1	9010513	Crankshaft Assy	1	
2	9010514	Key	1	
3	9010515	Washer, Special	1	
4	9010516	Pulley Assy, Damper, Torsional	1	
5	9010517	Bolt, Washer	4	
6	9010518	Bolt, Sprocket, Cshft	1	
7	9010519	Pin, Dowel	1	
▽	8	9010520	Rod Assy, Connecting	4
▲	9	9010521	Nut	8
▲	10	9010522	Bearing, Rod, Connect [Yellow Std]	4
▲	10	9010523	Bearing, Rod, Connect [No Color Std]	4
▲	10	9010524	Bearing, Rod, Connect [Lan Std]	4
▲	11	9010525	Bolt, Connecting	8
12	9010526	Piston, Pin [Std A]	4	
12	9010527	Piston, Pin [Std B]	4	
12	9010528	Piston, Pin [Std C]	4	
13	9010529	Piston Set, Ring	1	

Fig. 7 – Balancer Group



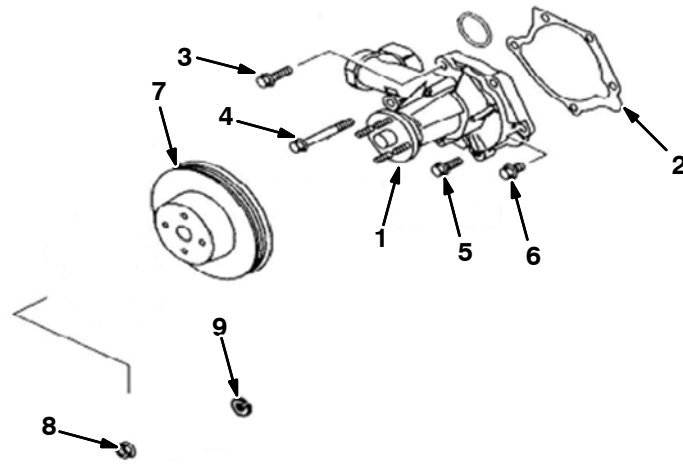
Ref.	Part No.	Description	Qty.
1	9010570	Bolt, Belt, Balancer, Train	1
2	9010571	Tensioner, Timing, Belt	1
3	9010572	Flange, Sprocket, Cshft	1
4	9010600	Bolt, Flange	1
5	9010574	Washer, Belt, Balancer, Train	1
6	9010575	Belt, Timing	1
7	9010576	Sprocket, Shaft, Balancer	1
8	9010577	Spacer, Belt, Balancer, Train	1
9	9010578	Shaft, Right, Balancer	1
10	9010579	Shaft, Left, Balancer	1
11	9010580	Sprocket, Cshft	1

Fig. 8 – Oil Pump and Pressure Switch Group



Ref.	Part No.	Description	Qty.	
▽	1	9010582	Pump, Oil	1
▲	2	9010592	Pump, Gear, Drive, Oil	1
▲	3	9010585	Seal, Oil	1
▲	4	9010586	Seal, Oil	1
▲	5	9010587	Plug, Tapper	1
▲	6	9010426	Pin, Dowel	2
▲	7	9010589	Screw	1
▲	8	9010590	Bolt, Flange	4
▲	9	9010591	Pump, Gear, Oil	1
▲	10	9010601	Seal, Oil	1
	11	9010593	Gasket, Case, Front	1
	12	9010594	Bolt, Washer	3
	13	9010595	Bolt, Washer	1
	14	9010596	Plug, Cap	1
	15	9010597	O-Ring	1
	16	9010598	Bolt, Flange	1
	17	9010599	Bolt, Flange	1
	18	9010600	Bolt, Flange	1
	19	9010583	Bolt, Flange	1
	20	9010259	Sender, Oil, Press [Mit] (3 Prong)	1

Fig. 9 – Water Pump Group



Ref.	Part No.	Description	Qty.
1	9010602	Pump, Water	1
2	9010603	Gasket, Pump, Water	1
3	9010604	Bolt, Flange	1
4	9010503	Bolt, Flange	1
5	9010606	Bolt, Flange	2
6	9010607	Bolt, Flange	1
7	9010612	Pulley, Pump, Water	1
8	9010609	Nut, Flange	4
9	9010610	Washer, Spring	4

Fig. 10 - Intake Manifold Gasket Group

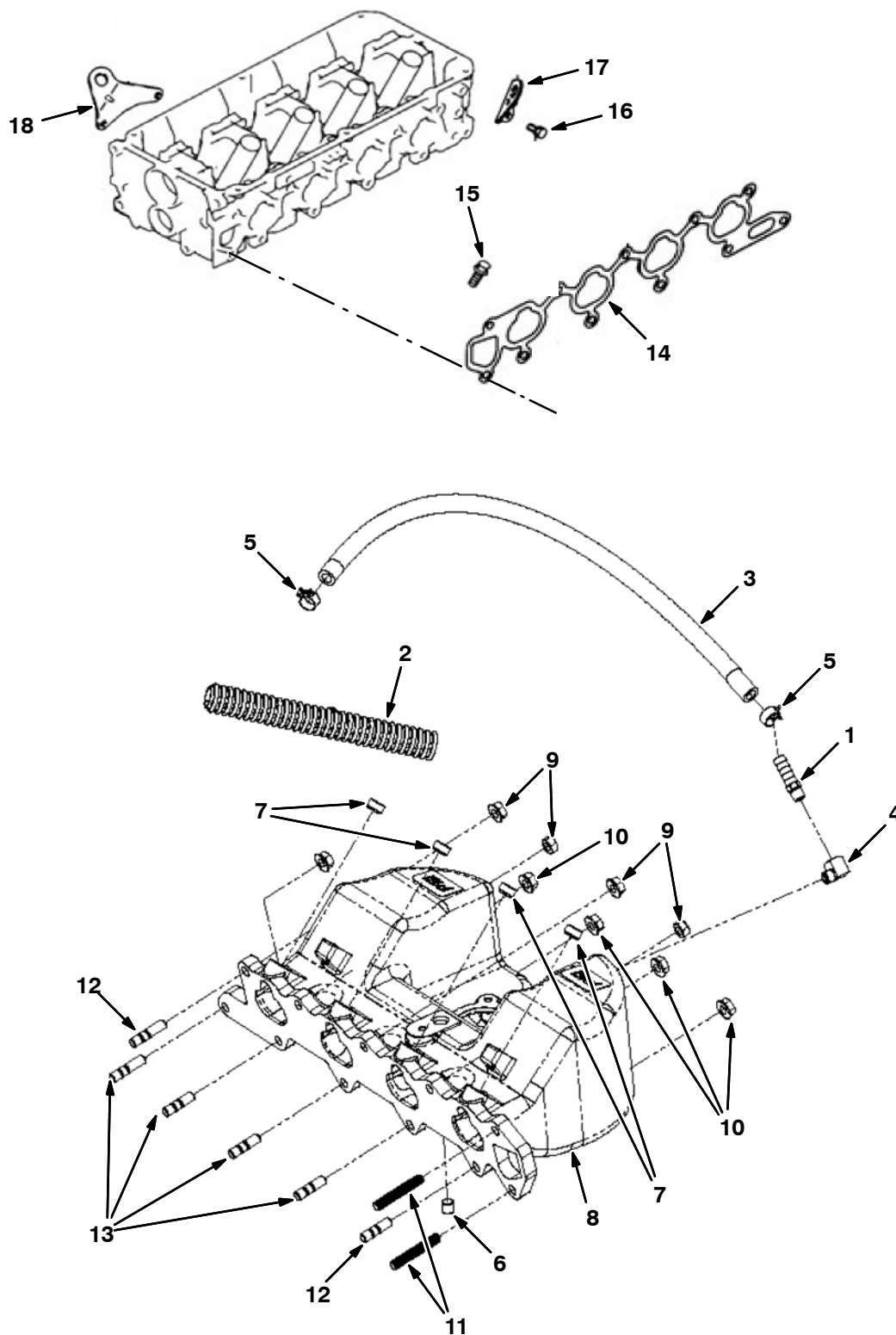
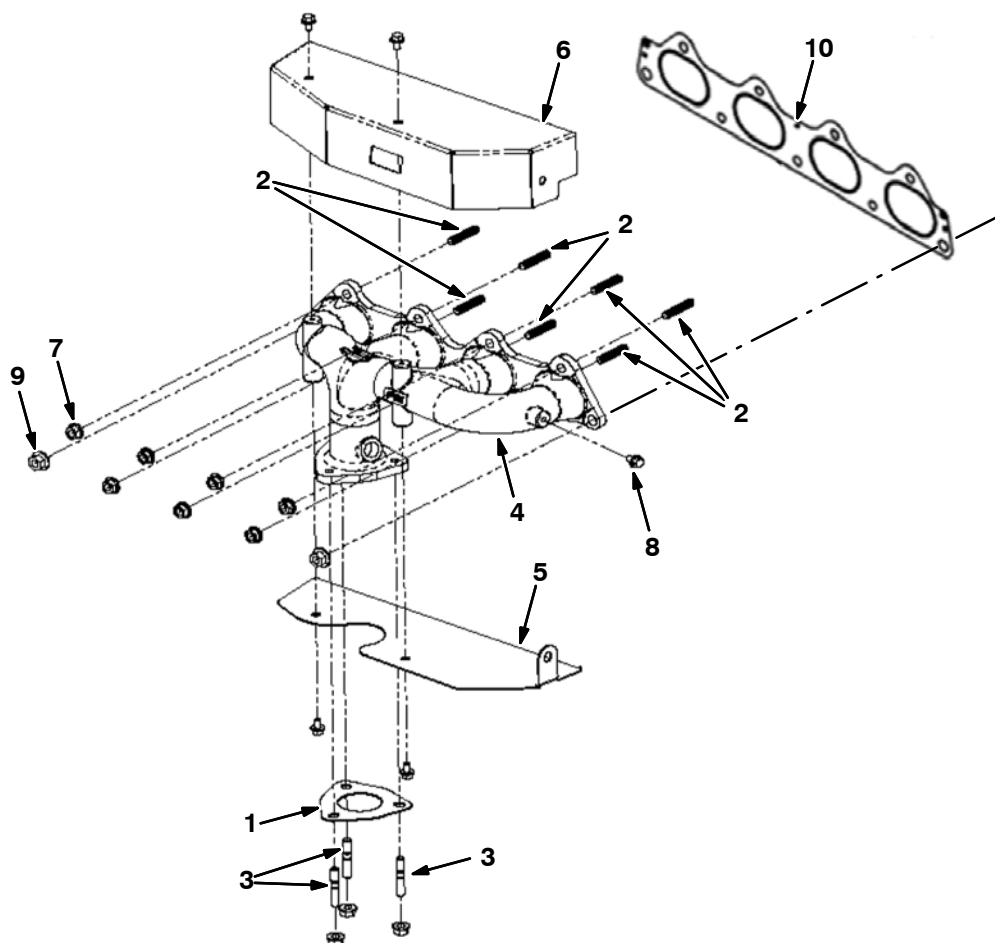


Fig. 10 – Intake Manifold Gasket Group

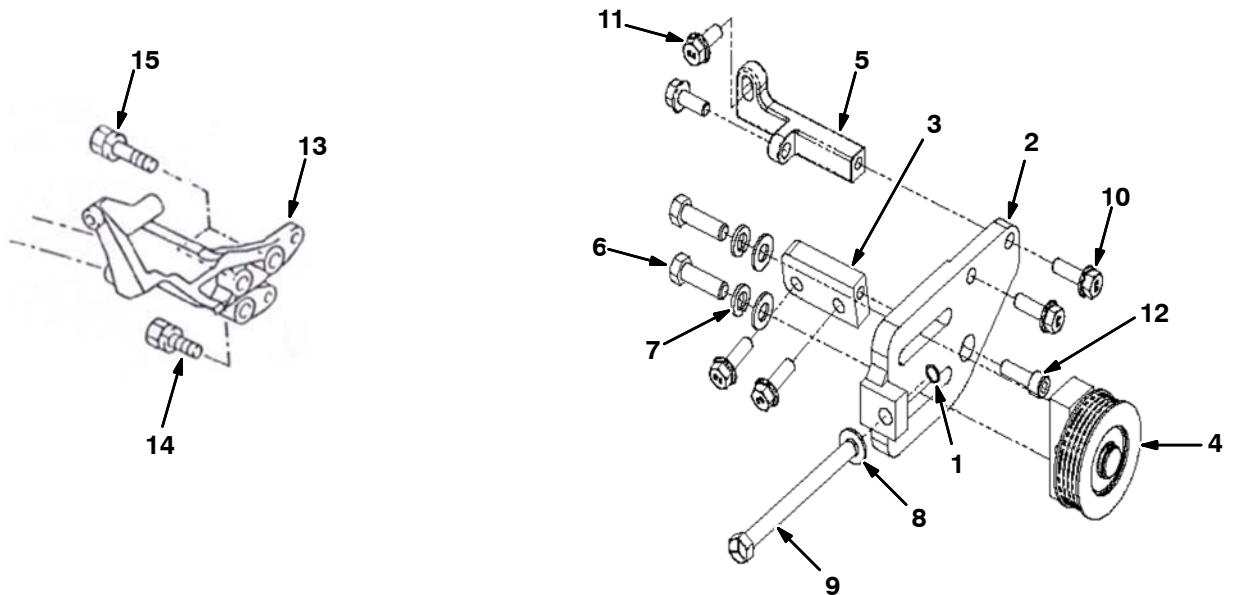
Ref.	Part No.	Description	Qty.
1	9010382	Fitting, 1/8 Mpt X 3/8 Hb [Mit]	1
2	9010281	Loom, Convolute, Split 5/8 [Mit]	17"
3	385001	Hose, Fuel, .38d, Rbr[16"L]	20"
4	9010383	Elbow, 1/8m X 1/8f, 90 [Mit]	1
5	9010282	Clamp, 3/8id [Mit Olive Green]	2
6	9010283	Plug, 1/8 Npt, Brs, Skt Hd [Mit]	1
7	9010284	Plug, Injector [Mit]	4
8	9010285	Manifold, Intake [Mit 20/24m Tilt]	1
9	9010286	Nut, M8-1.25 [Mit]	2
10	385015	Nut, Flng, M8	7
11	9010287	Stud, M8-1.25 X 50 Full Thrd [Mit]	2
12	9010288	Stud, M8-1.25 X 35 [Mit Double End]	2
13	9010384	Stud, M8-1.25 X 30 [Mit Double End]	4
14	9010613	Gasket, Manifold, Intake	1
15	9010606	Bolt, Flange	2
16	9010615	Bolt, Manifold, Inlet	1
17	9010617	Hanger, Engine	1
18	9010618	Hanger, Engine	1

Fig. 11 – Exhaust Manifold Gasket Group



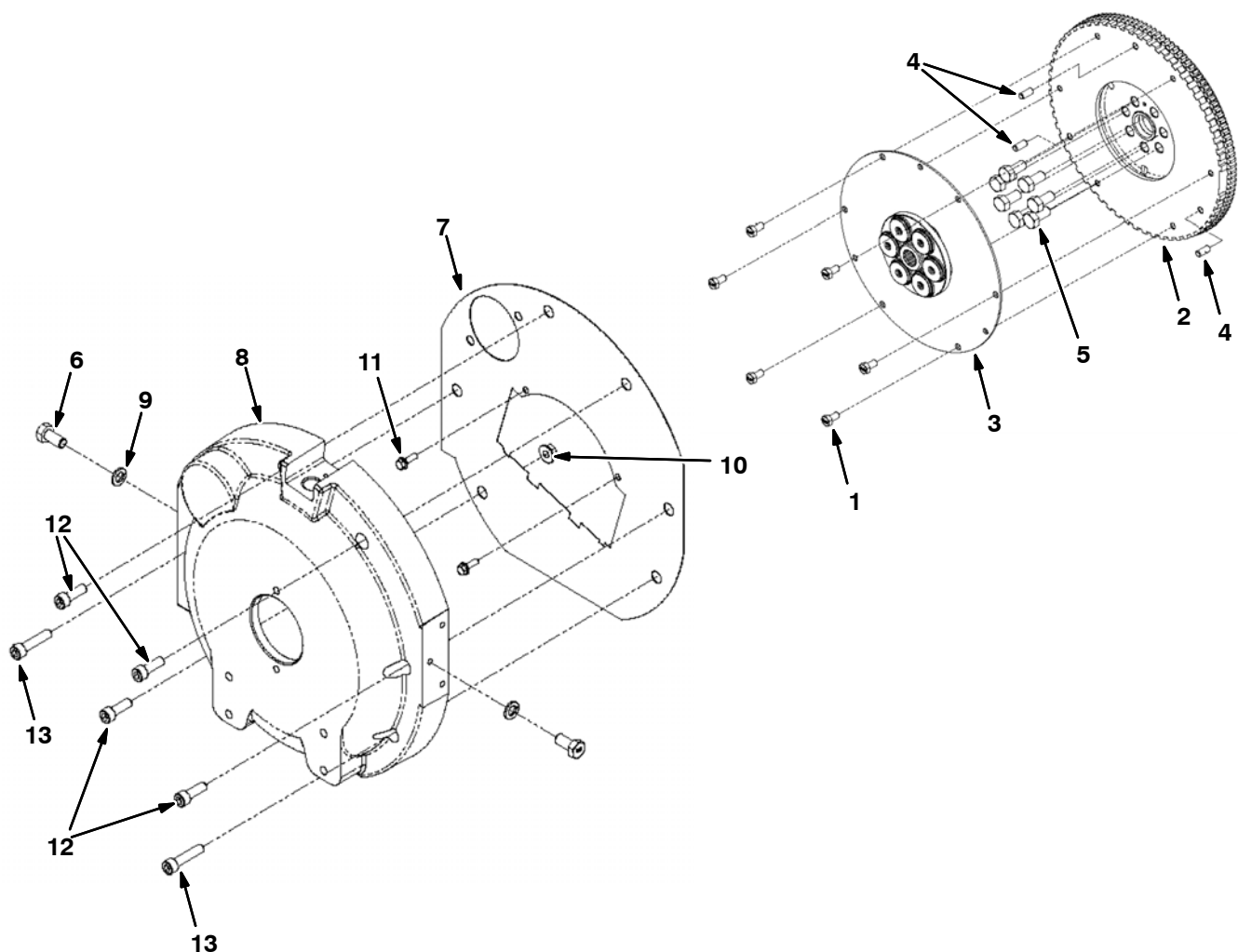
Ref.	Part No.	Description	Qty.
1	9010296	Gasket, Manifold, Exh [Mit]	1
2	9010297	Stud, M8-1.25 X 40 [Mit]	7
3	372020	Stud, Manifold, Intake, M8 X 28	3
4	9010298	Manifold, Exhaust [Mit 2.0/2.4]	1
5	9010302	Shield, Heat, Lower [Mit 20/24m]	1
6	9010303	Shield, Heat, Upper [Mit 20/24m]	1
7	385015	Nut, Flng, M8	10
8	9010262	Bolt, M6-1.0 X 10 Fl Hd [Mit]	5
9	9010239	Nut, M10-1.25 Flg [Mit]	2
10	9010619	Gasket, Manifold, Exhaust	1

Fig. 12 – Fan Tensioner and Pump Mount Group



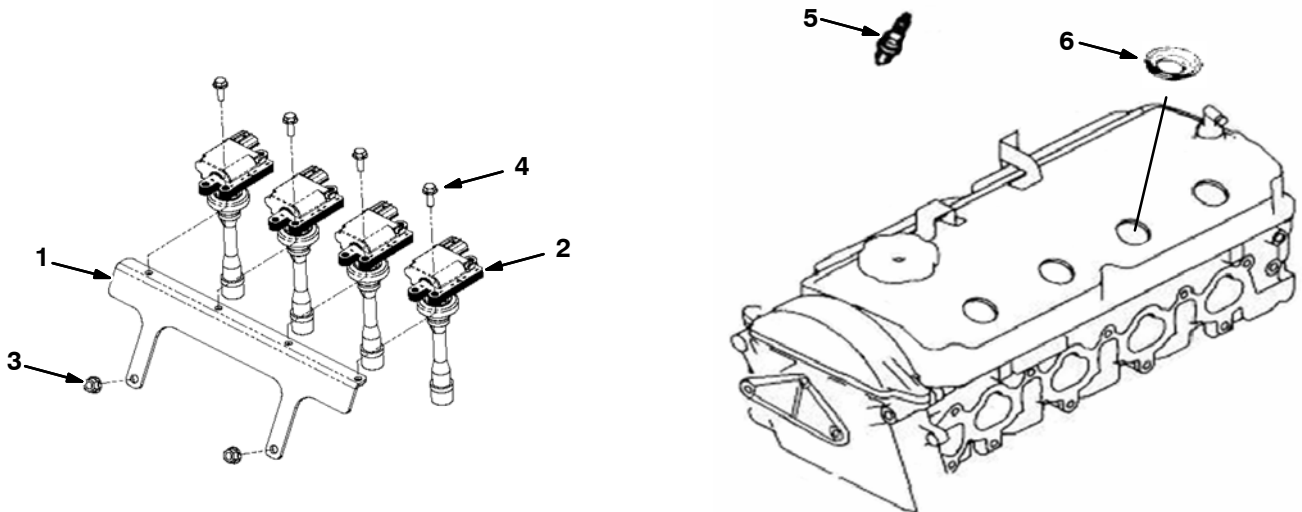
Ref.	Part No.	Description	Qty.
1	371562	Ring, Retaining	1
2	9010222	Plate, Tensioner, Adj [Mit 2.0/2.4]	1
3	9010223	Bar, Tensioner, Mtg [Mit 2.0/2.4]	1
4	9010224	Pulley, Tensioner, Assy[Mit2.0/2.4]	1
5	9010225	Bracket, Tensioner, [Mit 2.0/2.4]	1
6	9010226	Bolt, 3/8-16 X 1 1/4 Hxhd [Mit]	2
7	371509	Washer, Lock, 0.38	2
8	9010227	Washer, Flat 3/8, Sae	3
9	9010228	Bolt, 3/8-16 X 4.5 [Mit]	1
10	9010229	Bolt, M8-1.25 X 25 [Mit]	4
11	9010230	Bolt, M8-1.25 X 20 Fl Hd [Mit]	2
12	9010231	Bolt, M8-1.25 X 25 Soc Hd [Mit]	1
13	9010623	Bracket, Pump, Mtg	1
14	9010624	Bolt, Washer	1
15	9010625	Bolt, Washer	2

Fig. 13 – Flywheel Group



Ref.	Part No.	Description	Qty.
1	9010232	Bolt, M8-1.25 X 15, Hx Hd [Mit]	6
2	9010233	Flywheel, Flatface [Mit 20/24m]	1
3	9010234	Coupling, Flywheel [Mit20/24m]	1
4	9010235	Pin, Flywheel [Mit 20/20m]	3
5	9010236	Bolt, Flywheel [Mit 20/24m]	7
6	9010359	Bolt, M12-1.75 X 25, Hex Hd [Mit]	2
7	9010237	Cover, Dust [Mit 2.0l]	1
8	9010238	Housing, Flywheel [Mit 2.0l]	1
9	9010360	Washer, Lock, M12 [Mit]	2
10	9010239	Nut, M10-1.25 Flg [Mit]	1
11	9010240	Bolt, M6-1.0 X 20 Fl Hd [Mit]	2
12	9010241	Bolt, M10-1.25 X 30 Soc Hd [Mit]	4
13	9010242	Bolt, M10-1.25 X 45 Soc Hd [Mit]	2

Fig. 14 – Ignition Coil and Spark Plug Group

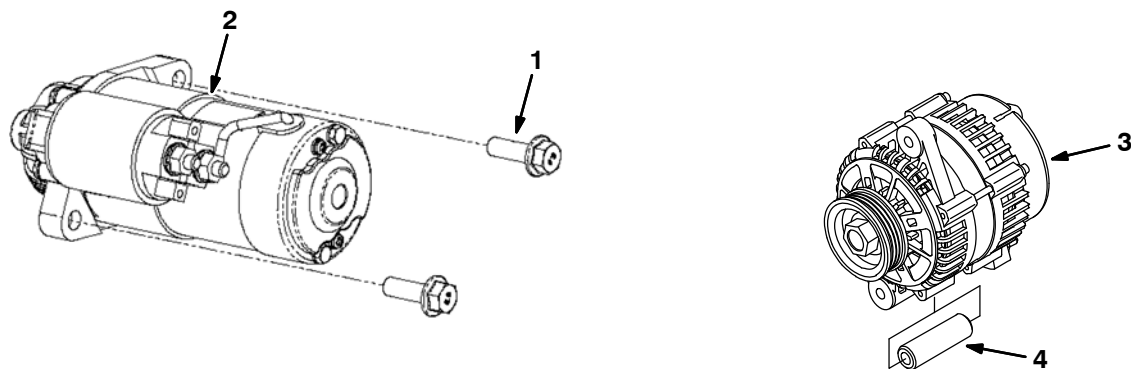


Ref.	Part No.	Description	Qty.
1	9010243	Bracket, Coil [Mit 2.0/2.4]	1
2	9010244	Coil, Ignition [Mit 2.0/2.4]	4
3	385015	Nut, Flng, M8	2
4	9010240	Bolt, M6-1.0 X 20 Fl Hd [Mit]	4
5	9010622	① Plug, Spark [Torch K6rf-11 14mm]	4
5	9014160	② Plug, Spark [Mitsubishi 2015 12mm]	4
6	9010479	Seal, Oil	4

① Serial Number (006000-007114)

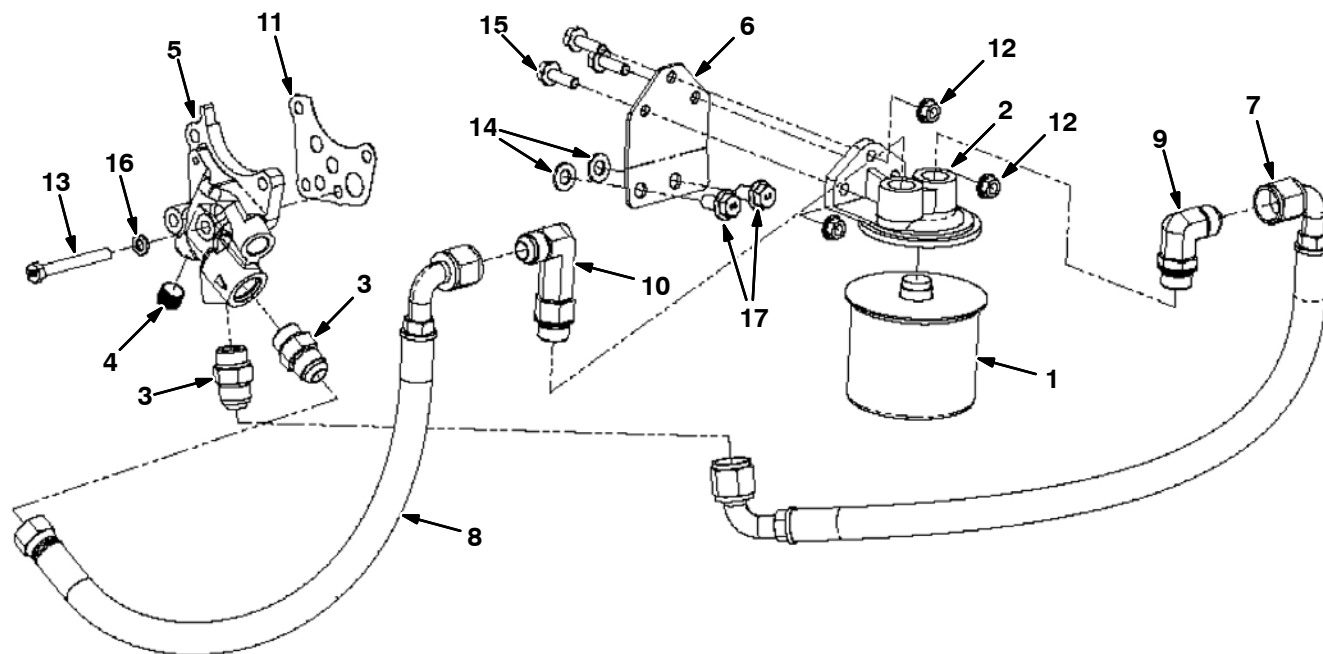
② Serial Number (007115-)

Fig. 15 – Starter / Alternator Group



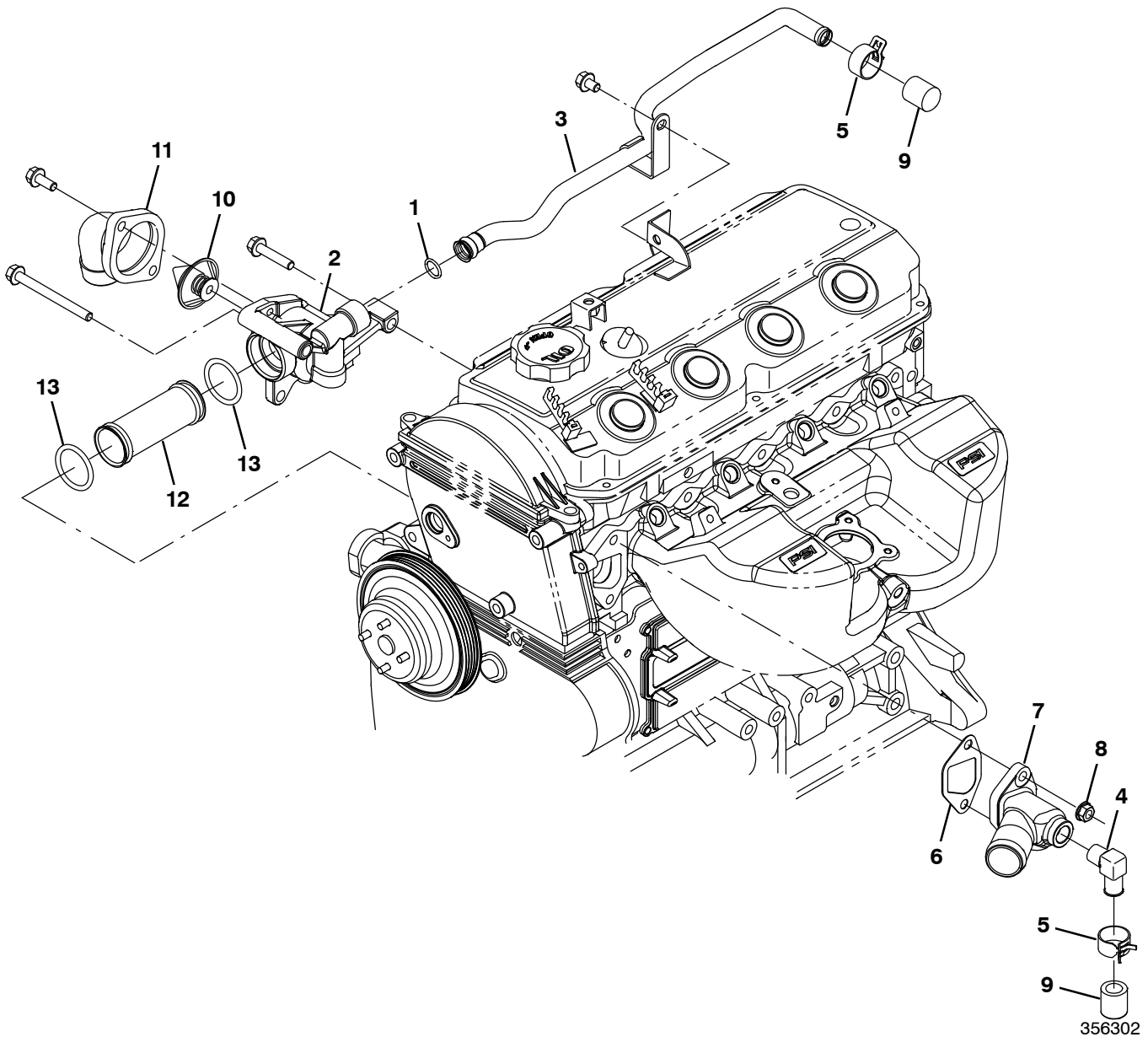
Ref.	Part No.	Description	Qty.
1	9010245	Bolt, M10-1.50 X 30 [Mit]	2
2	9010246	Starter, Motor [Mit 2.0/2.4]	1
3	9010217	Alternator, 7si [Mit Df Sur-Belt]	1
4	9010219	Spacer, Alternator [Mit 2.0/2.4]	1

Fig. 16 - Remote Oil Filter Group



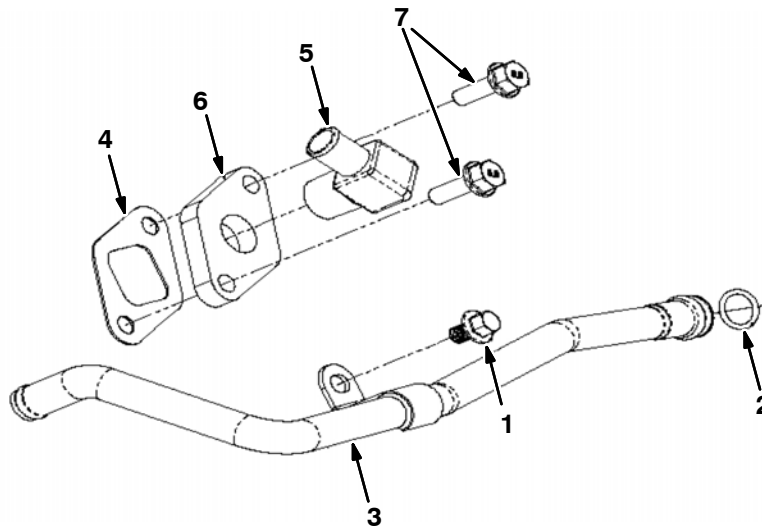
Ref.	Part No.	Description	Qty.
1	393982	Element, Fltr, Oil, Spin-On (Mits)	1
2	371503	Mount, Fltr, Remote	1
3	9010371	Fitting, Str, 10-10 Orb, 37fi [Mit]	4
4	9010372	Plug, 3/8npt X 5/16, Brs [Mit]	1
5	9010373	Adapter, Filter, Oil, Remote [Mit]	1
6	9010374	Bracket, Filter, Oil, Remote [Mit]	1
7	9010375	Hose, 90x90,Filter, Oil, Remote[Mit]	1
8	9010376	Hose, 90xstr,Fltr, Oil, Remote[Mit]	1
9	9010628	Elbow	1
10	9010629	Elbow	1
11	9010377	Gasket, Oil, Adapter [Mit 2.0/2.4]	1
12	385015	Nut, Flng, M8	3
13	9010253	Bolt, M8-1.25 X 70 Hxhd [Mit]	1
14	9010630	Washer	2
15	9010229	Bolt, M8-1.25 X 25 [Mit]	3
16	9010380	Washer, Lock, M8 [Mit]	1
17	9010631	Bolt	2

Fig. 17 – Coolant Group



Ref.	Part No.	Description	Qty.
1	9010289	O-Ring [Mit 208 Buna-N]	1
2	9010290	Housing, T-Stat, 2 Holes [Mit]	1
3	9010291	Tube, Water, Line [Mit]	1
4	385011	Fitting, E90	1
5	384979	Clamp, Hose, Spring, 0.62d	2
6	9010632	Gasket, Outlet	1
7	9010294	Outlet, Water, W/Plug [Mit 2.0/2.4l]	1
8	385015	Nut, Flng, M8	2
9	9010295	Cap, Rubber, 5/8id [Mit 2.0/2.4l]	2
10	9010905	Thermostat Kit, Coolant, Replmt [Mitsub]	1
11	9010215	Housing, Thermostat	1
12	9010910	Tube, Pump, Water	1
13	9013530	Seal, Tube, Water [Mit 2.0l]	2

Fig. 18 - DSR Coolant Group, LPG Engine



Ref.	Part No.	Description	Qty.
1	9010305	Bolt, M8-1.25 X 12 [Mit]	1
2	9010289	O-Ring [Mit 208 Buna-N]	1
3	9010306	Tube, Cooling, Line [Mit]	1
4	9010307	Gasket, Water Supply [Mit 2.0/2.4]	1
5	9010308	Fitting, 1/2 Mpt X 5/8bh 90deg [Mit]	1
6	9010309	Plate, Water, Outlet [Mit Bypass]	1
7	9010310	Bolt, M8-1.25 X 25 Flg Hd [Mit]	2

Fig. 19 - Electrical Group

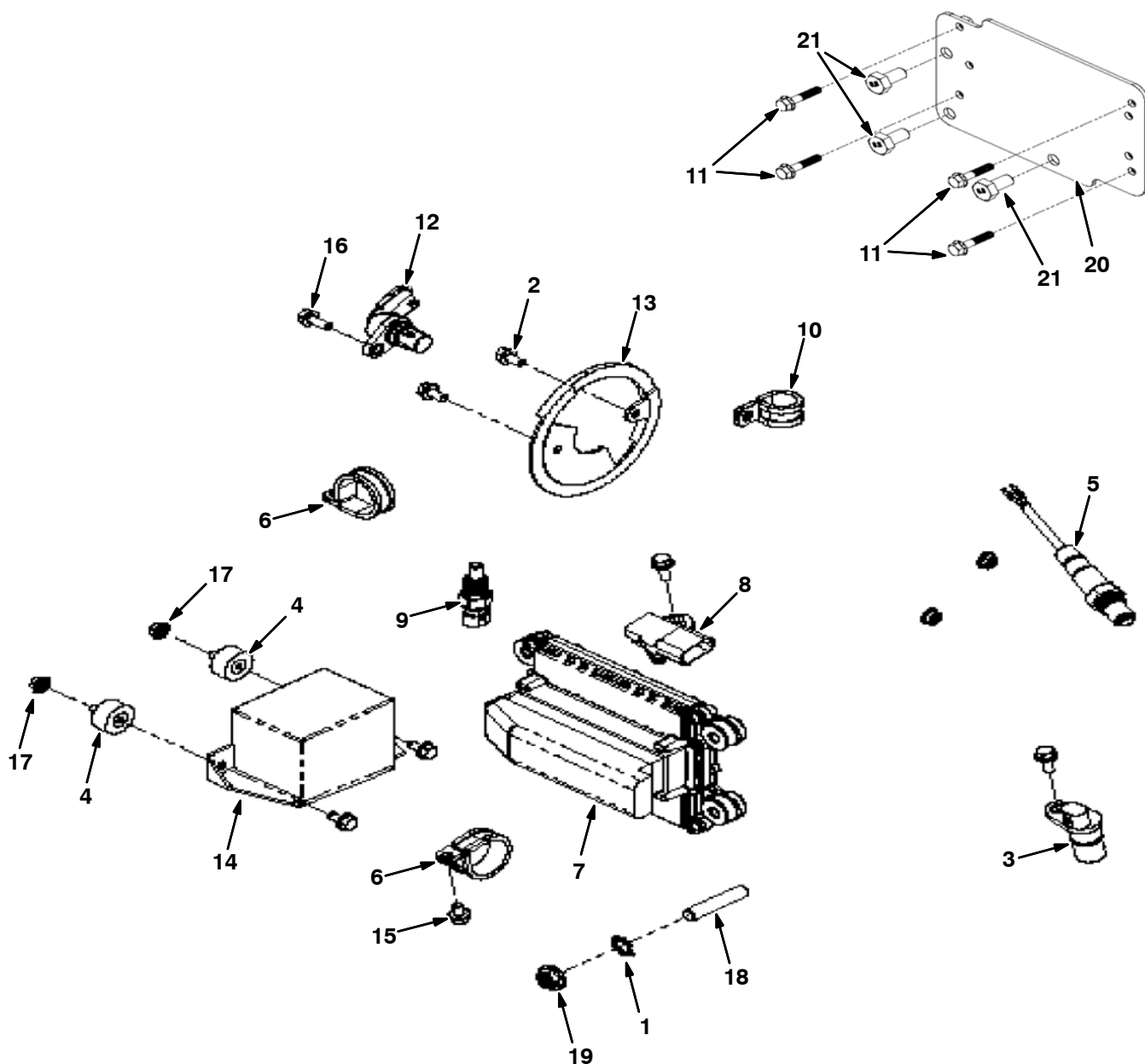
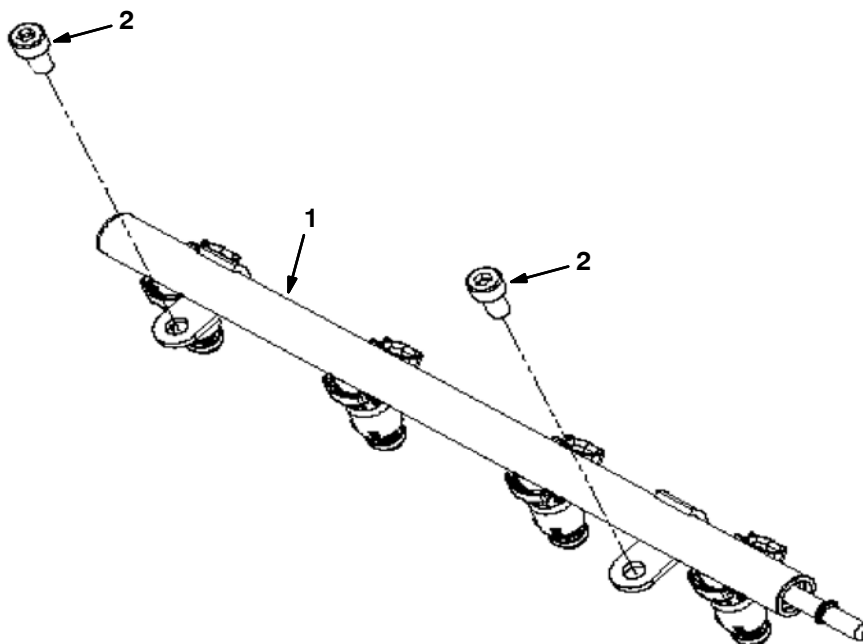


Fig. 19 – Electrical Group

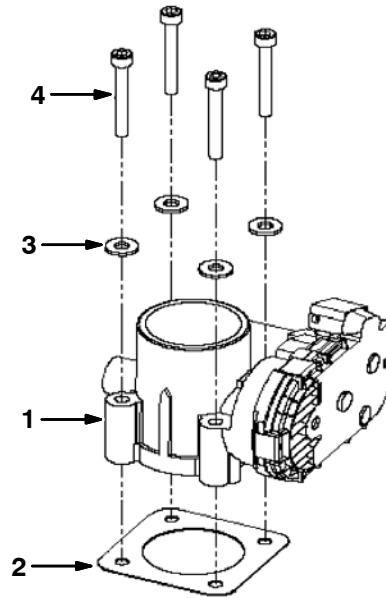
Ref.	Part No.	Description	Qty.
1	9010255	Washer, Star, M10 [Mit]	1
2	9010256	Bolt, M6–1.0 X 12 FI Hd PI [Mit]	2
3	372492	Sensor, Spd, Timing Wheel [3.0l]	1
4	9008805	Isolator	2
5	1028558	Sensor, Exhaust, Tailpipe	1
6	9010257	Clamp, 1/4 Hole [Mit #20]	2
7	1071397	Module, Ecu, Gas [Mit 2.0l 2013]	1
7	1071398	Module, Ecu, Lpg [Mit 2.0l 2013]	1
8	372493	Sensor [Tmap]	1
9	372891	Sensor, Temp, Coolant	1
10	9010258	Clamp, 0.75d [Mit]	1
11	9010249	Bolt, M6–1.0 X 30 FI Hd [Mit]	4
12	9010260	Sensor, Camshaft [Mit]	1
13	9010261	Cam, Sensor, Wheel [Mit 2.0/2.4l]	1
14	1071653	Harness, Wire, Eng, Gas [Mit, 2.0l]	1
14	1071654	Harness, Wire, Eng, Lpg [Mit, 2.0l]	1
15	9010262	Bolt, M6–1.0 X 10 FI Hd [Mit]	3
16	9010263	Bolt, M6–1.0 X 16 FI Hd [Mit]	3
17	9010264	Nut, M6–1.0 Flange [Mit]	4
18	9010366	Stud, M10–1.25 X 50, Full Thrd [Mit]	1
19	9010367	Nut, M10–1.25, Hx Flg [Mit]	1
20	9010247	Plate, Mtg, Ecu [Mit 2.0/2.4l]	1
21	9010248	Bolt, M10–1.25 X 20 Hxhd [Mit]	3

Fig. 20 - Fuel Rail Group, Gasoline Engine



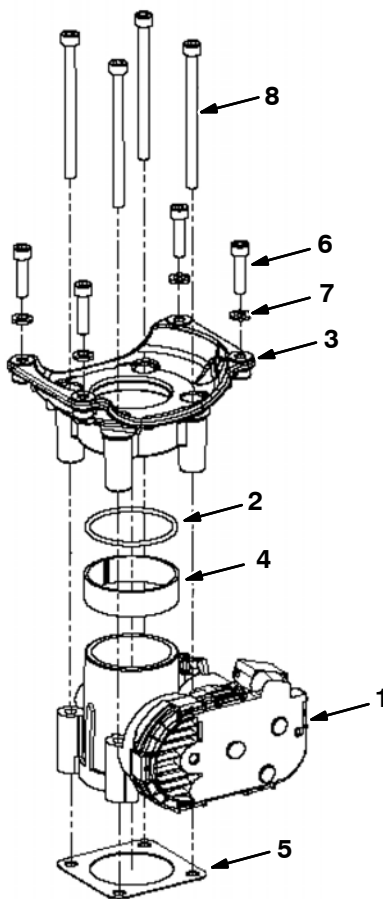
Ref.	Part No.	Description	Qty.
1	9010306	Tube, Cooling, Line [Mit]	1
2	9010327	Bolt, M8-1.25 X 16, Soc Hd [Mit]	2

Fig. 21 – Throttle Body Group, Gasoline Engine



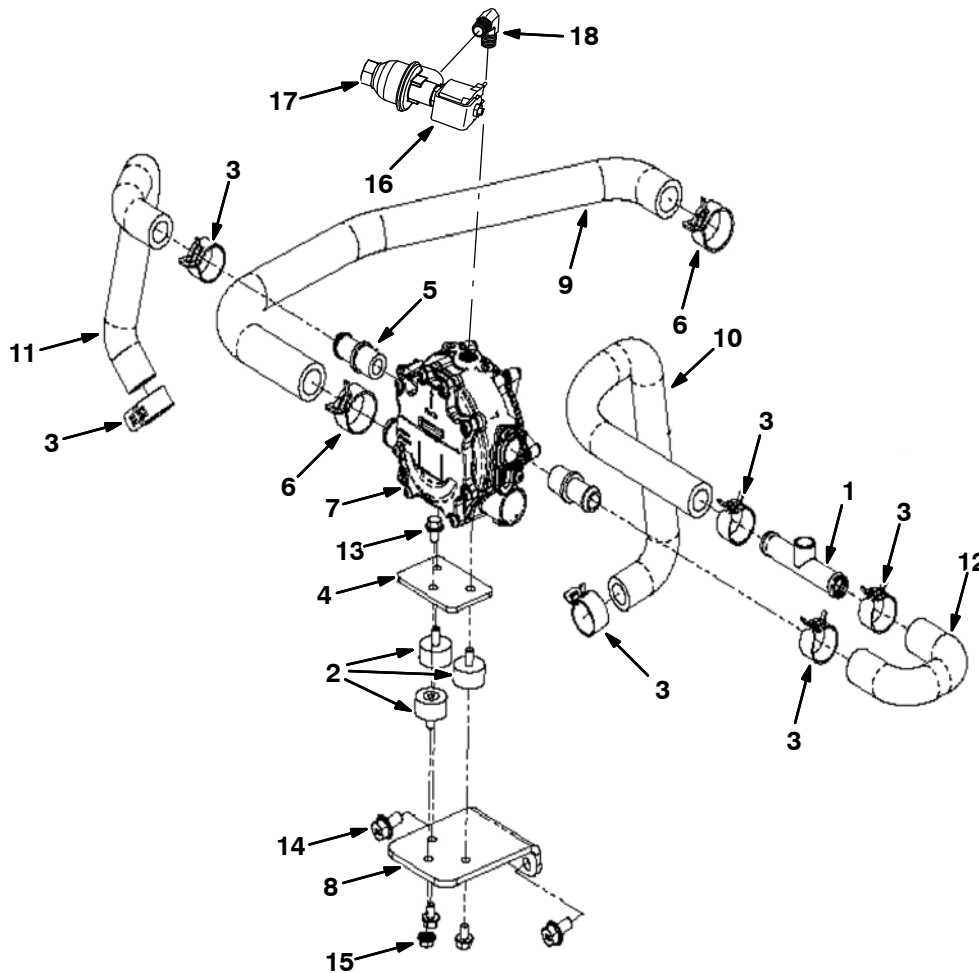
Ref.	Part No.	Description	Qty.
1	9010266	Actuator [Mit , Bosch]	1
2	9010268	Gasket, Throttle [Mit 40mm]	1
3	9010330	Washer, 1/4 Flat [Mit]	4
4	9010331	Bolt, M6-1.0 X 45, Skt Hd [Mit]	4

Fig. 22 – Throttle Body Group, LPG Engine



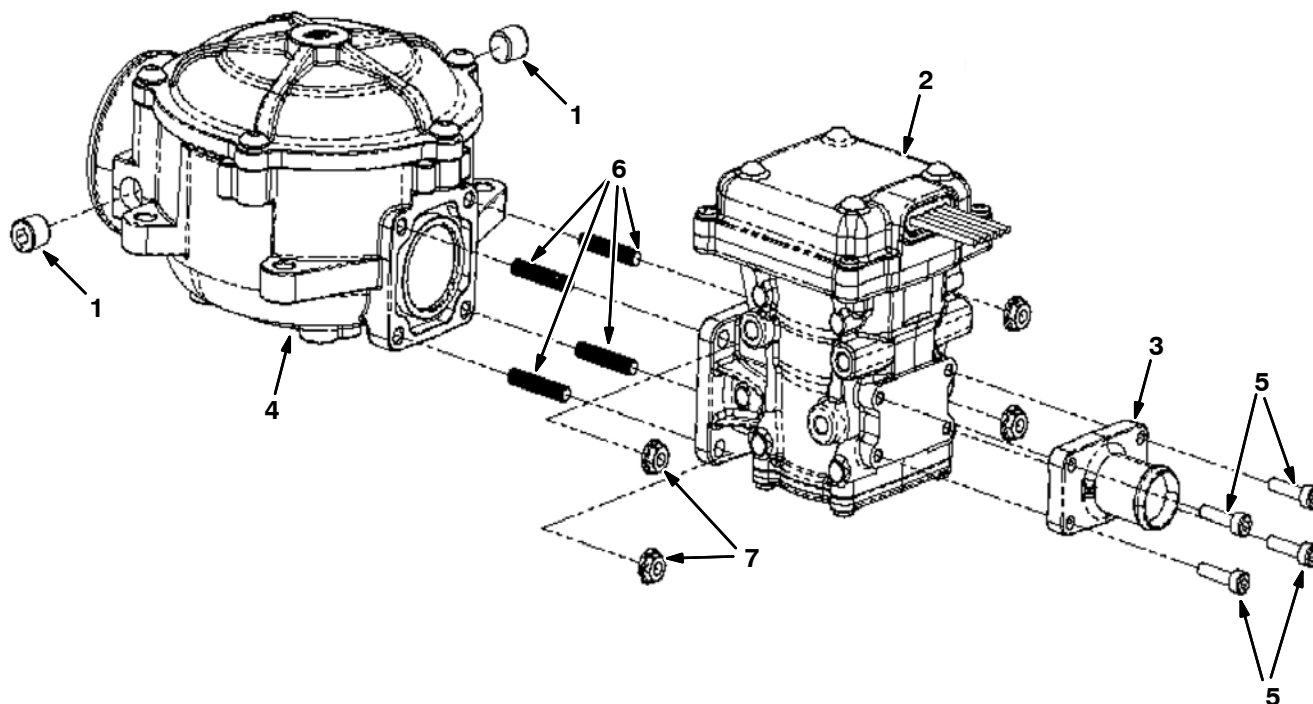
Ref.	Part No.	Description	Qty.
1	9010266	Actuator [Mit , Bosch]	1
2	1037311	Seal, Org, Lpg, Mixer	1
3	9006619	Adapter	1
4	9010267	Spacer, Ring, Throttle [Mit 40mm]	1
5	9010268	Gasket, Throttle [Mit 40mm]	1
6	9010269	Bolt, M6-1.0 X 25 Soc Hd [Mit]	4
7	9010270	Washer, Lock, M6 [Mit]	4
8	9010271	Bolt, M6-1.0 X 85 Soc Hd [Mit]	4

Fig. 23 – Vaporizer Group, LPG Engine



Ref.	Part No.	Description	Qty.
	1	Hose Assy, Upper, Tap [Mit]	1
	2	Isolator	3
	3	Clamp, Hose, Spring, 0.62d	6
	4	Plate, Mtg [Epr]	1
	5	Fitting, 1/2 X 5/8 Hose, Plastic [Mit]	2
	6	Clamp, Tension [Mit #29]	2
▽	7	Regulator	1
▲	9010626	Repair Kit, Vaporizer	1
	8	Bracket, Vaporizer [Mit 20/24m Tilt]	1
	9	Hose, Fuel, Molded [Mit 20/24m]	1
	10	Hose, Coolant, Molded [Mit 20/24m]	1
	11	Hose, Coolant, Molded [Mit 20/24m]	1
	12	Hose, Coolant, Molded [Mit 20/24m]	1
	13	Bolt, M6-1.0 X 10 FI Hd [Mit]	3
	14	Bolt, M8-1.25 X 16 FI Hd [Mit]	2
	15	Nut, M6-1.0 Flange [Mit]	1
▽	16	Lock-Off, 12v, Lpg [Mit]	1
▲	17	Filter Kit, Fuelock, Lpg	1
	18	Fitting, 1/4mpt X 1/4mpt, 90deg [Mit]	1

Fig. 24 – Electronic Pressure Regulator (EPR) Group, LPG Engine



Ref.	Part No.	Description	Qty.
1	9010314	Plug, 1/8npt, Brs [Mit]	2
2	9008806	Regulator, Press, Electronic [Epr]	1
3	9008807	Fitting, Barb, 3/4" [Epr]	1
▽ 4	9006618	Mixer , Lpg	1
▲	9010634	Repair Kit, Mixer	1
5	9008808	Screw, Soc, M4 X 0.70 X 16	4
6	9007424	Stud, M05-0.8	4
7	9007423	Nut, Flng, M05-0.8	4

SECTION 7

CONTENTS	PAGE
PART NUMBER TO PAGE NUMBER CROSS REFERENCE LIST	7-2
PART DESCRIPTION TO PAGE NUMBER CROSS REFERENCE LIST	7-17

CROSS REFERENCE

PART NUMBER TO PAGE NUMBER CROSS REFERENCE LIST

Part Number	Page Number	Part Number	Page Number	Part Number	Page Number
IB3614	4-10	06944	2-107	08712	2-13, 2-51, 2-105, 2-109, 2-111, 2-119, 2-121, 2-141, 2-143, 3-57, 3-65
00500-15	4-8, 4-9	06946	2-27, 2-29, 2-35	08713	2-51, 2-53, 2-55, 2-61, 2-77, 2-99, 2-103, 2-105, 2-109, 2-111, 2-113, 2-115, 2-117, 2-119, 2-121, 2-123, 2-125, 2-127, 2-131, 2-135, 2-139, 2-145, 2-149, 3-7, 3-13, 3-15
00927	2-113, 2-115	06949	2-85	08714	2-103, 2-111, 2-121, 2-125
00954	2-147	06955	2-95, 2-139, 2-145	08716	2-51, 2-53, 2-77, 2-109, 2-111, 2-129, 2-133, 2-141, 2-143
00960	2-49, 2-75	06956	2-83, 2-85	08875	2-135, 2-136
00966	4-10	06957	2-105, 2-121	09005	2-113, 2-115
01316	3-3, 3-63	06960	2-17	09007	2-129, 2-133, 2-143
01493	2-9	06961	2-49, 2-53	09010	2-61, 2-99, 2-103, 2-109, 2-111, 2-113, 2-115, 2-119, 2-121, 2-135, 2-149, 3-7, 3-11, 3-15
01681	2-17	06962	2-59, 2-79, 3-67	09011	2-149
01683	2-25, 2-31, 2-99, 3-3, 3-19, 3-25, 3-29, 3-33, 3-43, 3-57, 3-63, 3-67	06963	2-105	09023	2-121, 2-149
01684	2-5, 2-105, 2-109, 2-111, 2-119, 2-136, 2-141, 2-143, 3-29, 3-37, 3-57, 3-65	06965	3-67	09028	2-101, 2-107, 2-117, 2-129, 2-133
01685	2-51, 2-53, 2-55, 2-61, 2-77, 2-105, 2-109, 2-111, 2-119, 2-121, 2-123, 2-125, 2-129, 2-133, 2-139, 2-145, 2-149, 3-3, 3-7, 3-11	06968	2-63, 2-65	09037	2-35
01686	2-7, 2-101, 2-121, 3-13	06969	2-93, 2-117	09081	2-127, 2-131
01714	2-95, 2-97	06972	2-23, 2-63, 2-65	09145	2-49
01754	2-105	06988	2-19	09198	2-99
01760	2-15	07255	2-25, 2-27, 2-29	09200	2-15, 2-21, 2-87, 2-105, 2-141, 3-19, 3-25, 3-29, 3-33, 3-65
01762	2-113, 2-115, 3-7, 3-9	07259	2-101, 2-109, 2-111, 2-117, 2-125	09206	3-21, 3-37
02430	4-26	07299	2-63, 2-65	09252	2-15, 2-99, 2-101, 3-37, 3-57
02706	4-7	07449	2-125	09291	2-105, 2-109, 2-111
02850	2-15, 2-21, 2-56, 3-21, 3-69	07514	3-19	09738	3-13, 3-67
02931	2-125	07782	2-19	09739	2-113, 2-115, 2-141, 3-13, 3-19, 3-25, 3-33, 3-43, 3-47, 3-49, 3-51, 3-52, 3-53, 3-65
02938	2-107, 4-29	07786	2-129, 2-133	09740	2-9, 2-15, 2-21, 2-55, 2-61, 2-87, 2-105, 2-113, 2-115, 2-117, 2-119, 2-129, 2-133, 2-135, 2-139, 2-143, 2-145, 2-147, 2-149, 2-175, 2-177, 3-3, 3-5, 3-21, 3-29, 3-37, 3-47, 3-49, 3-51, 3-63
02942	2-101	07788	2-129, 2-133, 2-149	09741	2-117, 2-121
03192	3-55	07789	2-101	09744	2-136, 3-37, 3-65
03495	2-123	07790	2-59, 2-75, 2-79	09832	2-55, 2-59, 2-79
03922	2-147	07791	2-37, 2-39, 2-127, 2-131, 2-171	1002789	3-23, 3-25
04375	2-75	07797	2-177		
04414	2-9, 2-23, 2-63, 2-65, 2-121, 2-123	07805	2-119, 3-37		
04706	2-17	07810	2-109		
04733-12	2-117	08085	2-15		
06532	2-25, 2-27, 2-29, 2-35	08165	2-59, 2-77		
06548	2-95	08166	2-51, 2-53, 2-77		
06549	2-15, 2-25, 2-31, 2-89, 3-37, 3-57, 3-63	08170	2-95		
06922	2-105	08171	2-93, 2-107		
06927	2-21, 2-55	08175	2-113, 2-115		
06928	2-107	08179	2-95, 2-101, 2-109, 2-111, 2-121, 3-7, 3-11		
06929	2-15	08180	2-91		
06938	2-25, 2-31	08182	2-97, 2-129, 2-133		
06939	3-63	08236	2-117		
06942	2-9, 2-19, 2-25, 2-27, 2-29, 2-31, 2-35, 2-37, 2-55, 2-87, 2-89, 2-95	08708	2-9, 2-15, 2-17, 2-19, 2-25, 2-31, 2-41, 2-43, 2-45, 2-47, 2-55, 2-59, 2-71, 2-73, 2-79, 2-85, 2-89, 2-95, 3-69		
06943	2-15, 2-23, 2-41, 2-45, 2-55, 2-77	08709	2-7, 2-9, 2-21, 2-41, 2-43, 2-45, 2-47, 2-49, 2-55, 2-61, 2-71, 2-73, 2-75, 2-79, 2-81, 2-83, 2-85, 2-87, 2-89, 2-95, 2-99, 2-129, 2-133, 2-175, 3-15, 3-69		
		08711	2-23, 2-63, 2-65, 2-93		

CROSS REFERENCE

Part Number	Page Number	Part Number	Page Number	Part Number	Page Number
1002898	3-21, 3-29	1015026	3-33, 3-43	1018209	2-151
1002899	3-21, 3-29	1015032	2-141, 3-13, 3-31, 3-41	1018210	2-109
1005086	3-23, 3-25	1015033	2-141, 3-5	1018216	2-151
1005219	3-39	1015041	2-55, 2-61	1018226	2-101
1005255	3-21	1015045	2-141, 3-3, 3-13, 3-31, 3-41, 3-63	1018227	2-101
1005302	3-19, 3-29, 3-39	1015048	3-5	1018236	2-109, 2-111
1005435	3-21, 3-29, 4-29	1015067	3-25, 3-33	1018237	2-109, 2-111
1005506	3-19	1015205	2-79	1018239	2-103
1005507	3-19	1015220	2-105	1018240	2-107
1005508	3-19	1015486	3-31, 3-33, 3-41, 3-43, 3-63	1018241	2-101
1005552	3-19, 3-23, 3-25, 3-29, 3-39	1015547	2-25, 2-27, 2-29, 2-39	1018244	2-109
1006400	3-29	1015815	2-69	1018245	2-109, 2-111
1006401	3-19, 3-33	1015897	2-29	1018252	2-151
1006415	3-21, 3-39	1015930	2-25, 2-27, 2-32, 2-37	1018253	2-109, 2-111
1006416	3-29	1016354	4-29	1018260	2-101
1006447	3-19	1016463	2-109	1018262	2-101
1007482	2-55, 2-61, 2-81	1016560	2-29	1018266	2-101
1008640	2-49	1016561	2-39	1018272	2-103
1008916	2-19	1016624	2-51	1018274	2-107
1010614	3-43	1016837	3-3	1018275	2-101
1010668	3-25, 3-29, 3-33, 3-43	1017022	3-21, 3-29	1018276	2-101
1010684	3-19	1017101	2-136	1018280	2-107
1010836	3-19	1017141	2-241	1018293	2-107
1011018	2-238	1017218	2-9, 2-15, 2-21, 2-75, 2-103, 2-109, 2-111, 2-135, 2-139, 2-143, 2-145, 2-147, 2-149, 2-175, 2-177, 3-5, 3-21, 3-29, 3-37, 3-47, 3-49, 3-51, 3-63	1018300	2-103
1011019	2-238			1018333	3-25
1011020	2-238			1018463	2-55
1011107	2-83			1018495	3-63
1011216	2-51, 2-53, 2-77			1018499	3-19, 3-63
1011353	2-23			1018549	2-229
1011403	3-29, 3-39			1018776	2-15
1011412	3-19, 3-25, 3-31, 3-33, 3-43			1018780	3-21
1011521	3-23	1017248	3-49, 3-52	1018883	3-19
1011780	2-41, 2-43, 2-45, 2-47	1017250	3-51, 3-53	1018884	3-19
1011799	2-55	1017368	2-5	1018936	2-175, 4-11
1011837	3-39, 3-41	1017386	3-39	1018938	3-15, 4-13
1011885	3-5	1017413	3-39	1018939	2-25, 2-31
1011895	2-83, 2-85	1017415	3-39	1019031	2-129
1011899	2-41, 2-43, 2-45, 2-47	1017791	2-7	1019146	2-117
1012160	2-83	1017868	1-1, 2-123	1019225	2-7
1012248	2-85	1017903	2-91	1019228	2-15
1013031	2-51, 2-53, 2-77	1017944	2-105	1019250	3-63
1013086	2-83, 2-85	1017947	2-87	1019251	2-7
1013117	2-53, 2-77	1017969	2-51	1019265	2-55, 2-61
10137	1-1, 2-89	1017978	2-41	1019273	2-55
1013902	3-21	1017987	2-45	1019295	1-1, 2-127, 2-131
1014082	3-21	1018097	3-21	1019394	2-83
1014563	2-49, 2-55, 2-59, 2-79, 2-105, 2-109, 2-111, 2-125, 2-147, 2-151, 3-55	1018098	3-19, 3-29	1019416	2-83
1014575	3-21	1018142	2-51	1019424	2-139, 2-145
1014705	2-117	1018155	4-29	1019445	3-47, 3-49, 3-51
1014747	2-61	1018193	2-109	1019630	2-233
1014843	2-81	1018194	2-109	1019636	3-5
1014929	3-29	1018196	2-109	1019646	3-27
1014971	4-29	1018197	2-109	1019647	3-52, 3-53
1014974	3-5, 3-43, 4-29	1018199	2-109	1019939	2-83
1014986	3-29	1018202	2-109	1019940	2-83
		1018203	2-105	1019950	2-235
		1018207	2-105	1019968	2-55, 2-59, 2-79
		1018208	2-107	1019971	3-47, 3-49, 3-51
				1020002	2-117
				1020003	2-117

CROSS REFERENCE

Part Number	Page Number	Part Number	Page Number	Part Number	Page Number
1020163	2-119	1022111	3-7	1023754	2-147, 2-149
1020166	1-1, 2-119	1022113	2-51	1023769	2-165
1020168	2-9, 3-37	1022135	3-7	1023779	2-121
1020186	2-21	1022137	2-139, 2-145	1023853	2-55, 2-61
1020207	2-119	1022140	2-99	1023879	3-55
1020208	2-119	1022165	2-119	1023926	2-17
1020209	2-135	1022167	2-143	1024141	2-230
1020234	3-69	1022176	2-135	1024157	2-17
1020320	2-147	1022179	2-119	1024237	3-29
1020331	2-143	1022182	2-136	1024249	2-91
1020335	2-143	1022188	3-7	1024251	2-169, 4-7
1020394	2-175, 4-19	1022229	3-5	1024260	2-17, 4-25
1020428	2-136	1022243	2-95	1024274	2-89
1020434	2-241	1022260	3-7	1024287	2-13
1020487	2-15	1022276	3-55	1024389	2-135
1020526	3-65	1022302	3-7	1024403	2-143
1020540	2-9	1022318	3-13	1024425	2-15
1020548	2-129	1022345	2-97	1024464	2-15
1020602	2-51	1022359	2-119	1024478	2-17
1020708	2-175	1022363	2-119	1024500	2-21
1020828	2-119	1022364	2-25, 2-27	1024535	2-139, 2-145
1020904	2-9	1022370	2-143	1024558	2-139, 2-145
1020949	2-41, 2-43, 2-45, 2-47, 2-71, 2-73	1022372	2-121	1024570	2-119
1021019	2-113, 2-115	1022377	2-147	1024576	2-129, 2-133
1021047	2-107	1022442	2-121	1024584	2-127, 2-131
1021090	2-143	1022482	2-175	1024586	1-1, 2-127, 2-131
1021210	3-5, 4-3	1022484	2-175	1024591	2-135
1021265	2-17	1022545	2-125	1024599	2-139, 2-145
1021290	2-89	1022699	2-9	1024641	2-121
1021325	3-3	1022736	2-95	1024648	2-121
1021327	2-7	1022779	2-99	1024651	2-127, 2-131
1021404	2-125	1022787	2-99	1024688	2-165, 2-167
1021419	2-143	1022794	2-51	1024695	2-17
1021439	3-11	1022798	2-99	1024703	2-121
1021473	3-11	1022825	2-129, 2-133	1024764	2-165
1021497	2-125	1022831	2-123	1024853	2-147
1021511	2-123	1022846	2-127, 2-131	1024891	2-147
1021514	2-41, 2-45	1022978	2-133	1024934	2-87
1021546	2-125	1023239	2-123	1024977	3-67
1021564	3-11	1023288	2-23	1025005	1-2, 3-7
1021579	1-1, 2-173	1023306	2-129	1025100	2-117
1021609	2-121	1023307	2-133	1025101	2-241
1021617	3-11	1023314	2-133	1025132	2-173
1021789	2-51	1023464	2-11	1025140	2-97
1021794	3-7	1023476	2-125	1025151	2-127, 2-131
1021834	2-9	1023482	2-83, 2-85	1025159	3-5
1021879	2-143	1023485	3-17	1025196	2-21
1021881	3-63	1023486	3-17	1025229	2-83, 2-85
1021920	2-143	1023487	2-161	1025405	3-15
1021991	2-175	1023488	2-159	1025435	2-9
1022003	2-119	1023499	2-15	1025445	3-17
1022004	2-21	1023502	2-139, 2-145	1025460	2-125
1022005	2-15, 2-21	1023545	2-173	1025480	2-139, 2-145
1022007	1-1, 2-119	1023569	2-11	1025487	2-95
1022009	1-1, 2-119	1023606	2-161, 2-163	1025495	2-95
1022031	2-95	1023607	2-161, 2-163	1025544	2-165
1022069	2-19	1023608	2-159	1025547	2-161
1022105	2-15	1023609	2-159	1025548	2-165
1022106	3-13	1023611	2-161, 2-163	1025551	2-167
		1023617	2-113	1025601	2-125

CROSS REFERENCE

Part Number	Page Number	Part Number	Page Number	Part Number	Page Number
1025619	2-143	1027697	2-3	1029543	3-67
1025620	2-143	1027716	1-2, 3-7	1029545	2-19
1025663	3-67	1027719	1-1, 2-123	1029646	2-101
1025680	2-121	1027759	3-71	1029652	2-19
1025736	2-15	1027798	3-49, 3-51, 3-52, 3-53	1029748	2-136
1025756	2-151	1027800	3-49, 3-51, 3-52, 3-53	1029790	3-63
1025806	2-21	1027810	2-117	1029964	2-113, 2-115
1025841	2-151	1027856	2-41, 2-43, 2-45, 2-47	1030017	2-9
1025872	2-147	1027916	2-7	1030073	2-23
1025887	2-147	1027926	3-11	1030404	2-159
1025888	2-147	1027976	3-63	1030441	4-32
1025904	2-101	1027978	3-63	1030444	4-32
1025916	2-15	1028074	2-141	1030511	3-25, 3-33, 3-43
1025990	3-17	1028136	2-53	1030549	3-59
1025991	3-17	1028145	2-161, 2-163	1030588	2-15, 2-21
1025992	3-17	1028173	2-143	1030593	2-9
1026003	2-55	1028211	2-143	1030617	2-136
1026007	2-121	1028328	2-143	1030709	2-167
1026014	2-143	1028343	2-37	1030863	3-19
1026025	2-95	1028374	2-123	1030864	3-19
1026051	2-139, 2-145	1028412	2-21	1030878	3-19
1026067	3-21	1028516	2-21	1030910	2-117
1026074	3-19	1028522	2-143	1030911	2-117
1026080	2-113, 2-115	1028558	2-53, 2-77, 6-25	1030969	2-3
1026108	2-119	1028559	2-53	1031011	1-1, 2-127, 2-131
1026119	3-15	1028582	3-19	1031017	2-241
1026146	3-59	1028635	2-129, 2-133	1031206	2-15
1026222	2-3	1028690	2-139, 2-145	1031233	2-135
1026223	2-3	1028691	2-139, 2-145	1031235	2-136
1026319	2-171	1028697	3-5	1031309	2-145
1026352	2-113, 2-115	1028701	2-139, 2-145	1031312	2-27, 2-29, 2-35
1026550	2-83, 2-85	1028711	2-27	1031331	1-1, 2-123
1026576	2-89	1028722	2-35	1031439	2-23
1026628	2-21	1028753	2-53, 2-77	1031553	2-47
1026645	2-161, 2-163	1028769	2-13	1031557	2-19
1026647	2-171	1028772	2-13	1031566	2-75, 3-69
1026664	2-83	1028821	2-171	1031572	3-5
1026665	2-21	1028822	2-171	1031575	2-107
1026726	2-21	1028823	2-171	1031609	2-43
1026727	2-139	1028852	2-119	1031610	2-143
1026733	2-165	1028924	2-85	1031614	2-43, 2-47
1026743	3-63, 4-27	1028929	2-53, 2-77	1031665	2-9, 2-13, 2-15, 2-17, 2-21
1026759	2-83, 2-85	1028972	2-131	1031699	2-143, 4-3
1026825	2-15	1028979	2-131	1031796	4-27
1027007	3-63	1028994	2-53, 2-77	1031797	4-27
1027039	2-145	1029055	3-63	1031798	4-27
1027099	2-55	1029057	3-37, 3-63	1031799	4-27
1027103	2-55	1029082	2-27, 2-29, 2-35	1031800	4-27
1027218	2-9	1029118	3-21	1031801	4-27
1027228	2-89	1029128	2-127	1031802	4-27
1027233	2-99	1029132	2-127	1031803	4-27
1027237	3-63	1029153	3-63	1031803	4-27
1027267	2-9	1029155	3-63	1031823	1-1, 2-127, 2-131
1027290	1-1, 2-136	1029156	3-63	1031826	2-7
1027313	2-99	1029185	2-141	1031827	2-7
1027320	2-165	1029293	2-85	1031945	1-1, 2-123
1027321	2-165	1029295	2-85	1032242	2-49
1027381	2-135	1029362	2-13	1032323	2-43, 2-47
1027560	3-67	1029379	3-7, 3-9, 4-9	1032399	2-99
1027688	2-5	1029399	3-63	1032450	2-241

CROSS REFERENCE

Part Number	Page Number	Part Number	Page Number	Part Number	Page Number
1032578	3-71	1037311	6-28	1040863	3-67
1032743	2-113, 2-115	1037346	2-7, 2-59, 2-79, 2-89, 2-107, 2-143, 2-151, 3-69	1040871	3-67
1032812	2-85			1040876	2-177
1032830	3-55	1037354	2-173, 3-69	1041006	2-105
1032831	3-55	1037355	2-59, 2-79, 3-69	1041151	2-37, 2-39
1032869	3-65	1037671	2-105	1041152	2-37, 2-39
1032896	3-65	1037805	3-15, 4-15	1041291	2-56
1033156	2-21	1037809	3-35	1041389	3-17
1033297	3-21	1037816	2-143	1041391	2-165
1033428	2-49	1037825	3-25, 3-33, 3-43	1041822	2-13
1033591	2-105	1037947	2-105	1041920	2-105
1033624	2-233	1037970	2-19	1041953	2-139, 2-145
1033644	1-1, 2-49	1037971	2-19	1041984	2-105
1033746	2-85	1038074	2-141	1042003	2-139
1033897	2-85	1038115	2-109, 2-111, 3-11	1042010	2-145
1033901	2-85	1038123	2-111	1042028	2-23
1033975	2-9	1038134	2-111	1042499	2-5
1034147	2-125	1038137	2-117, 2-121, 2-129, 2-133, 3-11	1042500	2-5
1034149	2-125			1042504	2-5
1034270	2-91	1038159	4-29	1042686	2-117
1034388	2-151	1038258	2-113, 2-115	1042710	4-32
1034655	2-85	1038499	2-55	1042772	2-29, 2-39
1034676	2-85	1038566	2-177, 4-21	1042775	2-165
1034764	2-11	1038569	2-159	1042776	2-165
1034765	2-11	1038805	2-135, 2-136	1042968	3-7, 3-9
1034766	2-11	1038927	2-143	1043322	2-61
1034767	2-15	1038941	2-143	1043481	2-27, 2-37
1034768	2-11	1039019	3-5	1043897	2-59
1034769	2-11	1039049	2-143	1044323	2-103
1034770	2-11	1039064	2-141	1044342	3-29
1034878	2-173	1039072	2-143	1044343	3-29
1035031	2-49	1039124	2-111	1044367	2-177
1035044	2-143	1039148	2-159	1044393	3-37
1035068	2-19	1039149	2-111	1044993	2-109, 2-111
1035214	2-61	1039155	2-111	1045272	3-15
1035222	2-55	1039157	2-111	1045316	2-56
1035530	2-49	1039163	2-103	1045415	2-59
1035727	2-125	1039215	2-103	1045419	2-59
1035771	2-49	1039348	2-129, 2-133	1045433	2-59
1035794	3-29	1039357	3-29	1045444	3-67
1035832	2-9	1039396	2-119	1045447	2-59
1035976	2-56	1039521	2-83	1045530	2-59
1035997	2-9	1039521	2-83	1045759	2-167
1036240	2-107	1039652	2-143	1045764	2-55, 2-59, 2-79
1036611	2-105	1039757	2-135, 2-136	1045940	2-59, 2-79
1036801	3-29	1039789	2-177	1046022	2-23
1036892	2-13, 2-43, 2-47, 2-59, 2-71, 2-73, 2-79, 3-69	1040018	2-119	1046039	2-59
		1040117	2-177	1046173	3-37
1036939	2-165	1040216	2-161	1046237	2-49
1036944	3-17	1040306	2-135	1046798	2-143
1036945	2-161, 2-163	1040318	2-171, 2-173	1046962	2-59, 2-79
1036946	3-17	1040467	2-17, 2-19, 2-56, 2-59, 2-79, 2-101, 3-37, 3-57	1046976	3-9
1036959	2-171			1046980	1-2, 3-9
1036965	3-17	1040524	2-3	1046995	3-9
1036997	2-141	1040628	2-165	1047002	3-9
1037011	3-15	1040634	3-65	1047060	3-9
1037032	4-29	1040655	2-161, 2-163	1047098	2-135, 2-136
1037042	2-167	1040800	3-65	1047169	2-9
1037053	2-167	1040834	3-13	1047238	1-2, 3-9
1037235	2-105	1040841	2-11	1047295	2-9

CROSS REFERENCE

Part Number	Page Number	Part Number	Page Number	Part Number	Page Number
1048166	2-79, 3-69	1059091	1-2, 3-9	1068613	2-149
1048295AM	1-1, 2-105	1059092	1-2, 3-9	1068644	2-149
1048474	2-135, 2-136	1059100	2-149	1068811	2-113, 2-115
1048512	2-135, 2-136	1059234	4-32	1068812	3-9
1048955	2-15	1059343	2-91	1069019	1-2
1049242	2-105	1059347	2-93	1069020	1-2
1049254	3-29, 3-39	1059372	3-39	1069241	3-55
1049259	3-29	1059391	3-39	1069253	3-55
1049919	2-19	1059542	2-105	1069562	2-117
1050003	2-241	1059640	2-3	1069580	3-57
1050295	3-55	1059671	2-93	1069933	2-101
1050436	2-161, 2-163	1059677	3-37	1070348	2-65
1050437	2-161	1059878	4-32	1070402	3-57
1051534	3-69	1060130	2-7, 3-13	1070426	2-75
1052017	3-39	1060185	3-37	1070431	2-75
1052124	2-117	1060273	3-37	1070434	2-79
1052170	2-59	1060291	3-37	1070619	2-75
1052336	3-39, 4-29	1060292	3-37	1070659	3-57
1052342	2-117	1060517	4-29	1070732	2-81
1052726	3-37	1060521	2-91	1070751	2-63, 2-65
1052885	2-107	1060596	3-39	1070756	2-63, 2-65
1053078	3-37	1060624	3-37	1070764	2-75
1053320	2-105	1060693	3-39	1070787	2-73
1053464	4-29	1060695	4-29	1070788	2-71, 2-73
1053838	2-7, 2-107, 3-13	1060716	2-149	1070798	2-99
1054382	2-61, 2-81	1060719	3-37	1070819	2-99
1054428	2-79, 3-69	1060871	3-46	1070822	2-71, 2-73
1054558	2-47	1060880	3-46	1070833	2-71, 2-73
1054575	2-113, 2-115	1060881	3-46	1070860	2-79
1054610	2-115	1060942	2-7	1070890	2-75
1054682	2-113	1061045	3-43	1070955	2-79
1054776	4-29	1061973	2-91	1071033	3-69
1054857	2-113, 2-115	1061974	2-93	1071041	3-69
1055106	2-23	1062033	2-149	1071047	3-69
1055139	2-115	1062116	2-29, 2-39, 3-13	1071061	2-91
1055170	2-35	1062403	3-39	1071062	3-57
1055377	2-49, 2-75, 3-69	1062566	2-7, 2-107	1071099	2-81
1055381	2-49	1062804	3-37	1071107	2-75
1055425	2-49	1062813	2-241	1071108	2-75
1055552	2-67	10632-1	2-107	1071110	2-75
1056195	3-67	10632-12	3-57	1071113	2-77
1056232	2-29	10632-13	2-107	1071144	2-75
1056233	2-35	10632-17	3-52, 3-53	1071145	2-75
1056241	2-53	10632-19	3-19, 3-29, 3-39	1071155	2-63
1056298	2-105	10632-2	3-5	1071173	2-171
1056300	2-39	10632-4	2-107, 3-37	1071240	2-151
1056355	2-43, 2-47	1063456	2-238	1071253	2-149
1056566	2-23	1063457	2-238	1071280	3-39
1057029	5-11	1064183	3-37	1071376	2-77
1057637	4-29	1064191	3-37	1071388	2-85
1057643	2-113, 2-115	1064370	2-235	1071397	6-25
1057707	1-2	1064371	2-233	1071398	6-25
1057708	1-2	1064440	2-241	1071404	2-71
1057710	1-2	1064443	3-69	1071418	2-77
1057711	1-2	1064662	2-241	1071439	2-21
1058753	3-69	1065342	2-241	1071440	2-67, 2-69
1058777	3-69	1065343	2-241	1071481	2-89
1058935	3-39	1066893	2-15	1071482	2-89
1058963	3-37	1067700	2-141	1071502	2-67
1058996	2-17	1068611	2-149	1071603	2-229

CROSS REFERENCE

Part Number	Page Number	Part Number	Page Number	Part Number	Page Number
1071616	2-9	150713	3-29	21606	2-123
1071641	3-58	15331	2-19	21623	2-107
1071642	2-239	15539	2-5	21657	4-26
1071653	2-238, 6-25	15543-2	2-41, 2-45	21659	4-26
1071654	2-238, 6-25	15648	2-139, 2-145	21851	2-15
1071727	2-75	15675	2-113, 2-115, 2-139, 2-145	21933	4-25
1071785	2-79	15678	2-105, 3-29	21934	4-25
1071947	3-46	16213	2-99	21935	4-25
1072408	2-67, 2-69	16411	1-2	21955	4-9
1072421	2-75	16412	1-2	21956	4-9
1072456	2-15, 4-31	16431	2-161, 2-163	21958	4-9
1072505	3-69	16695	4-8, 4-9	222267	2-21, 2-135, 2-136
1072559	2-67, 2-69	16735	2-49, 2-75, 2-143, 3-11	222268	2-103, 2-109, 2-111
1072669	2-63, 2-65	16931	2-9, 2-15, 2-19, 2-21, 2-41, 2-45, 2-49, 2-59, 2-61, 2-75, 2-81, 2-83, 2-85, 2-87, 2-91, 2-95, 2-147	222290	2-89
1072815	2-15	16944	2-101	222375	3-43
1072877	3-5	16968	2-13	222463	2-127, 2-131
1072885	2-143	17185	2-113, 2-115, 3-19	222496	2-51, 2-53, 2-77, 2-113, 2-115
1072995	2-177, 4-23	17284	3-13	222505	2-51, 2-53, 2-77, 2-125
1072997	3-15, 4-17	17414	2-87	222516	2-139, 2-145
1073487	2-91	17461	2-109, 2-111, 2-117, 2-129, 2-133, 3-11	22290	2-17
1073529	2-75	17521	2-141	22297	2-55, 2-61, 2-81
1074010	2-151	17980	2-17, 2-171	22308-6	2-87
1074807	2-113, 2-115	19064	2-55, 2-105, 3-61	223080	2-15
1075003	2-13	19065	2-15, 3-37	223198	2-117, 3-37
10832	2-23	19066	2-15, 2-21, 2-49, 2-89, 2-101, 3-37, 3-47, 3-49, 3-51, 3-52, 3-53, 3-63	223470	2-117, 3-7
10917	4-27	19191	3-7, 3-9	223599	2-13
11442-1	2-37, 2-39	19312	2-27, 2-29, 2-35, 2-67, 2-69	22615	3-9
11442-23	2-87	19313	2-49, 3-55	22790	4-3
11842	2-99	19315	2-23, 2-27, 2-29, 2-35, 2-67, 2-69	23146	2-7, 2-107, 3-13
11984	3-21	19317	2-27, 2-29, 2-35	23156	2-87
1210807	2-7	19583	2-91	23211	2-101
1220185	2-5	19760	2-87	23285	4-3
1220235	2-5	20021	2-107	23498	2-139, 2-145, 2-147, 2-151
1220236	2-5	20170	2-95	23524-1	2-121
1221543	2-5	20394	2-19, 3-63	23788	2-95
12295	2-113, 2-115	20634	2-105	24012	2-51, 2-53
12309	2-107	20778	2-89	24047	2-87
12317	2-7, 2-109, 2-111, 2-121, 3-13	20833	1-1, 2-125	24105	3-3
12323	2-107, 3-37	20944	3-5	24196	3-43, 3-47, 3-49, 3-51, 3-52, 3-53
13048	2-39	20951	3-5, 4-29	24199	3-57
13534	2-113, 2-115	20952	3-5	24265	2-21, 3-3
13698	2-171	21168	2-21	24299	2-5
13904	4-11, 4-13, 4-15, 4-17, 4-19, 4-21, 4-23	21195	2-49	24339	2-91
13907	4-7, 4-19	21196	3-67	24358	2-143, 4-3
140916	3-57	21197	2-83, 2-99	24543	3-5
14432	2-41, 2-43, 2-45, 2-47, 2-71, 2-73	21198	2-169, 3-59	24544	3-3, 3-19, 3-29, 3-39
14595-1	2-95	21601	2-123, 3-9	24555	2-123, 2-125, 3-9
14605	2-95	21602	2-123	24698	3-39
14838	2-5	21603	2-123, 3-9	24928-1	2-87
14877	3-3, 3-5, 3-19, 3-29, 3-39			24976	2-23
150100	3-19			25014	2-53, 2-77
150516	2-27, 2-37			25046	3-7, 3-9
150525	3-21			25122	1-1, 2-173
150538	3-29			25312	3-70
150540	3-29, 4-29			25611	3-7, 3-9
150709	2-87, 3-29			25686	2-113, 2-115

CROSS REFERENCE

Part Number	Page Number	Part Number	Page Number	Part Number	Page Number
25735	2-125, 2-127, 2-131	32987	2-91	365095	2-141
26496	2-87	32988	2-49	365164	2-41, 2-45, 2-141
27048	2-37, 2-83, 2-87	331380	3-71	36643	2-87, 2-99, 2-147, 2-151
27767	2-29, 2-39	331381	3-71	36644	2-117
28854	4-9	331382	3-71	36658	2-105
29557	3-11	331383	3-71	36661	2-105
29558	3-11	331385	3-71	367313	2-111, 2-121
29584	2-121	33295	3-3	367770	2-121
30407	2-55, 2-59, 2-79	33373	2-125	367771	2-7
31241	2-151	33401	2-119	367949	2-135, 2-136
31354	4-8, 4-9	33580	4-5	367974	3-59
31375	4-8	33671	2-89	368391	2-15
31379	4-8	33812	2-177	36845	3-11
31383	4-8	33932	2-21, 2-99, 2-127, 2-131, 3-3, 3-37	369359	3-7, 3-9, 3-67
31525	2-49	34178	4-5	369704	2-89
31543	3-33, 3-43	34323	2-151	369745	2-41, 2-43, 2-45, 2-47, 2-71, 2-73
31613	1-1, 2-173	34359	3-15	369746	1-1, 2-41, 2-43, 2-45, 2-47, 2-71, 2-73
32126	2-91	34411	2-7, 2-107, 3-13	369747	2-41, 2-43, 2-45, 2-47, 2-71, 2-73
32183	2-107, 3-5	35493	4-10	369811	3-3
32483	2-15, 2-17, 2-25, 2-27, 2-29, 2-31, 2-35, 2-41, 2-45, 2-51, 2-53, 2-55, 2-59, 2-77, 2-83, 2-85, 2-87, 2-105, 2-107, 2-151, 3-37, 3-69	35707	2-87	370100	2-123
32485	2-23, 2-49, 2-53, 2-63, 2-65, 2-99, 2-117, 2-125, 2-151, 2-169	35710	2-87	371503	6-21
32486	2-17, 2-23, 2-55, 2-63, 2-65, 2-93, 2-107, 3-11	35904	2-171	371509	6-17
32490	2-9, 2-23, 2-27, 2-29, 2-35, 2-37, 2-55, 2-59, 2-67, 2-69, 2-77, 2-79, 2-89, 2-95, 2-97, 2-99, 3-19, 3-21	360023	2-93	371562	6-17
32491	2-7, 2-9, 2-15, 2-17, 2-19, 2-41, 2-43, 2-45, 2-47, 2-49, 2-53, 2-55, 2-59, 2-61, 2-71, 2-73, 2-75, 2-79, 2-81, 2-83, 2-85, 2-87, 2-91, 2-95, 2-113, 2-115, 2-117, 2-119, 2-139, 2-143, 2-145, 2-171, 2-175, 3-11, 3-13, 3-15, 3-55, 3-65, 3-69	360074	2-93	371770	2-37, 2-39
32492	2-7, 2-15, 2-53, 2-59, 2-77, 2-79, 2-83, 2-87, 2-99, 2-107, 2-171, 3-7, 3-9, 3-55, 3-59, 3-67	360270	2-93	371790	3-71
32493	2-23, 2-63, 2-65	360272	2-93	371854	2-43, 2-47
32509	4-29	360273	2-93	371855	2-23
32716	2-49, 2-87	360274	2-93	371860	2-23, 2-51, 2-53
32746	2-5	360275	2-93	371861	2-51, 2-53
32975	2-105	360276	2-93	371863	2-49
32981	2-83, 2-85, 2-147, 2-151	360801	2-129, 2-133, 2-143	371865	2-49
32982	3-37	360802	2-93	371866	2-23
32983	2-15, 2-49	360824	2-105, 3-65	371868	2-23
		360952	2-105	371869	2-23
		360973	2-136	371870	2-23
		361044	2-161	371871	2-49
		361047	3-17	371872	2-49
		361071	2-13	371876	2-23
		361073	2-13	371877	2-23, 2-37, 2-39
		361075	2-13	371890	2-23
		361339	2-59, 2-95, 2-97, 2-107, 2-119, 3-3, 3-19, 3-21, 3-69	371931	5-5
		36159	2-67, 2-69	371932	5-5
		363162	2-123	371933	5-5
		36328	2-129, 2-133, 2-149	371934	5-5
		363301	2-123	371935	5-5
		363458	2-7	371936	5-5
		363543	2-141	371937	5-5
		363976	2-9, 2-49	371938	5-5
		364347	2-95	371940	5-8
		364441	2-123, 3-15	371941	5-8
		364587	2-101	371942	5-5
		364749	2-15	371943	5-8
		364864	2-95	371944	5-5
		364948	2-95	371945	5-5
		364978	2-165	371946	5-5
		365004	3-17	371947	5-7

CROSS REFERENCE

Part Number	Page Number	Part Number	Page Number	Part Number	Page Number
371948	5-7	372014	5-11	372500	2-31
371949	5-7	372015	5-11	372501	2-32
371950	5-7	372016	5-11	372503	2-31
371951	5-7	372017	5-11	372506	2-31
371952	5-7	372018	5-3	372507	2-31
371954	5-3	372019	5-3	372510	2-31, 2-35
371955	5-3	372020	5-9, 6-16	372511	2-31
371956	5-3	372021	5-9	372512	2-31
371957	5-3	372022	5-3	372514	2-31
371958	5-3	372023	5-3	372515	2-31
371959	5-8	372024	5-3	372517	2-31
371960	5-8	372025	5-3	372518	2-31
371961	5-8, 5-11	372026	5-3	372523	2-31
371962	5-5	372027	5-3	372528	2-31, 2-37
371963	5-5	372028	5-3	372529	2-37, 2-39
371964	5-5	372029	5-3	372534	2-25, 2-27, 2-35
371965	5-5	372030	5-3	372537	2-25, 2-31
371966	5-5	372031	5-3	372539	2-37, 2-39
371967	5-5	372032	5-3	372541	2-23
371968	5-5	372033	5-3	372542	2-25
371969	5-5	372034	5-3	372543	2-25, 2-27, 2-29, 2-35
371970	5-5	372035	5-3	372544	2-25, 2-27, 2-29, 2-31
371971	5-5	372036	5-3	372545	2-25, 2-27, 2-29
371972	1-1, 2-23, 5-8	372037	5-3	372546	2-25
371973	5-8	372038	5-3	372547	2-25, 2-27, 2-29, 2-31, 2-35
371975	5-8	372039	5-3		
371976	5-5	372040	5-11	372548	2-27, 2-29, 2-31, 2-35
371977	5-5	372041	5-11	372549	2-25, 2-27, 2-29, 2-31, 2-35
371978	5-5	372043	5-11		
371979	5-5	372044	5-11	372550	2-25, 2-27, 2-29, 2-31, 2-35
371980	5-7	372046	5-11		
371981	5-7	372047	5-3	372556	2-23
371983	5-7	372048	5-3	372557	2-49
371984	5-7	372049	5-9	372558	2-31
371986	5-7	372050	5-9	372560	5-8
371987	5-7, 5-8	372051	5-9	372563	2-25
371988	5-7	372052	5-9	372566	2-25
371990	5-3, 5-7	372053	5-9	372567	5-7
371991	5-7	372055	5-12	372569	2-31
371992	5-8	372056	5-12	372572	5-7
371993	5-7	372057	5-12	372573	5-3
371994	5-7	372058	5-12	372574	5-3
371995	5-8	372059	5-12	372575	1-1, 5-12
371996	2-23, 5-7	372060	5-12	372576	2-31
371997	5-7	372066	5-9	372577	2-31
371998	5-7	372235	2-238	372579	2-31, 2-35
371999	5-3, 5-5	372236	2-238	372580	2-31
372000	5-7	372237	2-238	372582	2-31
372001	5-7	372440	1-1, 2-83, 2-85	372603	5-12
372002	2-23, 5-7	372470	2-27, 2-29, 2-35, 2-67, 2-69	372605	2-31
372003	5-7			372606	2-31
372004	5-7	372482	2-31	372607	2-31
372005	5-7	372484	2-31	372608	2-31
372007	5-3	372489	2-25	372609	2-31
372008	5-3	372491	2-51	372610	2-31
372009	5-11	372492	6-25	372611	2-31
372010	5-11	372493	2-25, 2-27, 2-29, 2-31, 2-35, 6-25	372612	2-31
372011	5-11			372613	2-31
372012	5-11	372497	2-32	372615	1-1, 2-31, 2-37
372013	5-11	372498	2-31	372616	5-11

CROSS REFERENCE

Part Number	Page Number	Part Number	Page Number	Part Number	Page Number
372857	2-31	373663	4-13, 4-15, 4-17, 4-19, 4-21, 4-23	384974	2-25, 2-27, 2-29, 2-35
372858	2-25			384975	2-37
372862	2-23	373664	4-13, 4-15, 4-19, 4-21	384977	2-37, 2-39
372863	3-71	373665	4-19, 4-21, 4-23	384978	2-37, 2-39
372882	5-3	373666	4-19, 4-21, 4-23	384979	2-37, 2-39, 6-22, 6-29
372891	6-25	373667	4-19, 4-21, 4-23	384980	2-35
372898	2-31	373668	4-19, 4-21, 4-23	384983	2-37
372953	2-23	373669	4-19	384984	2-37, 2-39
373217	4-5	373670	4-13, 4-15, 4-17, 4-19, 4-21, 4-23	384986	2-37, 2-39
373226	4-5			384990	2-238
373236	4-5	373671	4-19, 4-21, 4-23	384991	2-35
373260	4-5	373672	4-13, 4-15, 4-19, 4-21	384992	2-27, 2-29
373291	4-5	373673	4-13, 4-15, 4-19, 4-21	384995	2-27, 2-29, 2-35
373297	4-5	373678	4-7	384996	2-35
373298	4-5	373679	4-7	384997	2-238
373299	4-5	373680	4-7	384998	2-238
373317	4-7	373681	4-7	384999	2-238
373327	4-7	373683	4-15, 4-17	385001	6-15
373346	4-7	373684	4-21, 4-23	385009	2-85
373347	4-7	373688	4-21, 4-23	385011	6-22
373348	4-7	374560	2-91	385015	6-15, 6-16, 6-19, 6-21, 6-22
373389	4-7	374563	2-91		
373391	4-7	375321	3-63	385029	2-23
373393	4-7	375322	3-3	385644	3-23, 3-25, 3-31, 3-33, 3-41, 3-43, 3-63
373394	4-7	37555	4-8, 4-9		
373395	4-7	37616	4-5	385685	2-136, 2-143, 3-5
373398	4-7	377236	3-17	386088	2-129, 2-133
373402	4-7	377349	2-136, 3-3	386264	2-123
373413	4-7	377537	1-2	386298	2-123, 3-9
373427	4-7	377538	1-2	386652	3-5
373429	4-7	377540	1-2	386847	2-121
373434	4-7	37756	4-5	387237	2-123
373493	4-7	379609	2-91, 4-5	387281	2-165
373494	4-7	379791	2-109, 2-111	387433	2-123
373631	4-19	379870	2-129, 2-133	387500	2-123
373633	4-11, 4-13, 4-15, 4-17, 4-21, 4-23	381391	2-71, 2-73	388153	2-17
		381502	2-95	388552	5-11
373637	4-11, 4-21, 4-23	381858	2-161	38968	4-5
373639	4-11, 4-21, 4-23	381862	2-161	390994	2-135
373640	4-11, 4-13, 4-15, 4-17, 4-19, 4-21, 4-23	382099	2-117	391368	2-19
		382224	2-95	39210	2-115, 2-175, 3-15
373642	4-13, 4-15, 4-17, 4-19, 4-21, 4-23	382320	2-135, 2-136, 2-143, 3-70	392171	2-13
				392609	2-147
373646	4-13, 4-15, 4-17, 4-19	382516	2-13	392629	2-83
373647	2-177, 4-11, 4-13, 4-15, 4-17, 4-19, 4-21, 4-23	38255	4-5	392645	2-87
		383165	2-13	39277	2-7, 2-9, 2-41, 2-43, 2-45, 2-47, 2-55, 2-59, 2-71, 2-73, 2-75, 2-79, 2-81, 2-83, 2-85, 2-87, 2-105, 2-139, 2-145, 2-149, 2-171
373648	4-11, 4-13, 4-15, 4-17, 4-19, 4-21, 4-23	383912	2-83		
		384418	2-21, 2-127, 2-131	39278	2-99
373656	4-11, 4-13, 4-15, 4-17, 4-21, 4-23	384419	2-21	39279	2-95
		384442	2-49, 2-51, 2-53	39281	2-75, 2-125
373657	4-11, 4-13, 4-15, 4-17, 4-19, 4-21, 4-23	384961	5-5	39283	2-7, 2-9, 2-23, 2-59, 2-171
		384962	5-8		
373658	4-11, 4-13, 4-15, 4-17, 4-19, 4-21, 4-23	384963	5-5	39284	2-51, 2-53, 2-77, 3-67
		384964	5-5	39285	2-151
373659	4-11	384966	5-7	39308	2-129, 2-133
		384968	5-7	39311	2-9, 2-49, 2-105
373660	4-11, 4-21, 4-23	384970	2-37, 2-39		
373661	4-13, 4-15, 4-17	384971	2-37, 2-39		
373662	4-13, 4-15, 4-17	384972	2-27, 2-29, 2-35		
		384973	2-37, 2-39		

CROSS REFERENCE

Part Number	Page Number	Part Number	Page Number	Part Number	Page Number
39312	2-105	41445	2-129, 2-133	50161	2-171
393135	2-127, 2-131, 3-65	41579	4-29	50178	3-13
393209	2-49	41619	2-117, 2-121, 2-129, 2-133	50335	2-23, 2-99
393215	2-91, 2-101	42011	2-49	50544	2-141
393255	3-13	42120	2-117	50646	2-107
39349	2-9, 2-15, 2-21, 2-49, 2-75, 2-77, 2-99, 2-129, 2-133, 2-135, 2-139, 2-145	42120-1	2-101	50901	3-39
39350	2-91	42133A	3-3, 3-19, 3-29, 3-39	50960	2-151
393982	1-1, 2-63, 2-65, 6-21	42180	2-97	51109	2-95
394916	2-238	42215	2-151	51176	2-23, 2-63, 2-65
394921	2-238	42223	2-91	51305	2-25, 2-27, 2-32, 2-37, 2-55, 2-61, 2-81
39527	2-113, 2-115, 4-8	42226	2-147, 2-175, 2-177, 3-15	51338	2-91
39534	2-147, 2-151	42467	2-99	51339	2-91
395825	2-109	43555	2-123, 2-139, 2-145	51754	2-165
395973	2-175, 3-15	43844	2-25, 2-27, 2-32, 2-37, 2-55, 2-56, 2-61, 2-81, 3-3, 3-5, 3-29, 3-39	51787	2-171
395974	2-175, 2-177, 3-15	44868	2-113, 2-115, 2-151, 2-169, 2-175, 3-15	51824	2-117
396221	2-159	44869	2-151, 2-169, 2-173, 3-15	51839	2-25, 2-27, 2-29, 2-32, 2-37, 2-39
396255	2-161, 2-163	44961	4-29	52405	4-5
396266	2-161	45622	4-5	53076	2-169
396438	2-161	45623	4-5	53400-1	2-87
396476	2-175, 3-15	45628	4-8, 4-9	53400-4	2-87
397648	3-59	46236	3-49, 3-51	53466	2-7, 2-9, 2-55, 2-81, 2-89, 2-171, 3-21
39785	2-49	46314	2-25, 2-31	53485	2-151, 4-10
39810	2-23	46480	2-175	53947	2-99
39811	2-117	46481	2-171	53953	2-99
398279	2-41, 2-43, 2-45, 2-47, 2-71, 2-73	46482	2-173, 2-177	54017	2-159
398468	2-83, 3-19	46559	2-99	54051	2-91
398474	3-19	46563	2-95	54052	2-91
398500	3-63	46785-1	2-121	54087	2-91
398501	2-13	46800	3-7	54095	4-10
398508	2-13	47504	3-15	54205	2-99
39924	2-107	47512	2-169	54274	2-55, 2-59, 2-79, 2-147, 2-149, 2-151
40362	2-173	47513	2-149, 2-169	54275A	2-147, 2-151
40607	2-107	47522	2-91, 2-175	54333	2-27, 2-37, 2-71, 2-73, 2-83, 2-85, 2-89, 3-13, 3-19, 3-23, 3-25, 3-29, 3-31, 3-33, 3-39, 3-41, 3-43, 3-63
40678	2-171	47585	2-17	54390	2-93
41130	2-147	47638	2-101	54607	2-95
41139	2-21	47719	3-13	54615	2-143
41141	2-119	47752	2-171	54655	2-99
41142	2-49	47801	2-91	54861	2-147
41169	2-97, 2-99	48079	2-99	55272	3-49, 3-51, 3-52, 3-53
41178	2-15, 2-56, 2-59, 2-79, 2-151	48126	2-85	55455	2-173
41185	2-129, 2-133	48267	2-83	55586	2-113, 2-115, 2-175, 2-177, 3-15
41186	2-49, 2-75, 2-99, 2-139, 2-145, 2-147, 3-11	48790	3-39	55685	3-15
41187	2-53, 2-99, 2-121, 2-129, 2-133	48813	4-10	55845	3-59, 3-61
41295	3-3, 3-5	48985	2-117, 3-11	55926	4-7
41315	2-141	48996	2-49	56078	2-113, 2-115
41346	3-11	48998	2-49, 2-75	56185	2-17
41359	3-37	49145	2-93	56186	2-233, 3-19, 3-29, 3-37, 3-63
41361	2-23	49266	2-13, 2-25, 2-27, 2-59, 2-91, 2-115, 3-19, 3-39, 3-52, 3-53	56690	2-17, 2-173, 3-15, 3-17
41399	2-97	49697	2-127, 2-131	56692	2-149, 3-7
41430	2-55, 2-59, 2-79, 2-87, 2-151, 2-171, 3-55, 3-67	49800	2-15, 2-55		
		49883	2-75, 2-175		
		49933	2-147, 2-175, 2-177		

CROSS REFERENCE

Part Number	Page Number	Part Number	Page Number	Part Number	Page Number
56820	2-17, 2-175, 2-177, 3-15	64379	2-109	73468	3-3, 3-29, 3-39
56821	3-7, 3-9	64425	2-125, 2-127, 2-129, 2-131, 2-133, 3-7	73471	2-25, 2-27, 2-32, 2-37, 2-55, 2-61, 2-81
56835	2-17	64743	3-19	73736	2-13
56992	2-13	64778	3-39, 3-63	74077	2-21
57189	2-147	65145-1	2-169	74090	2-139, 2-145
57248	3-29	65180	2-125	74094	4-8, 4-9
57297	2-87	65215	2-173	74095	4-8
57315	2-91	65230	4-9	74098	4-8, 4-11, 4-19, 4-21, 4-23
57569	2-79	65241	4-8	74099	4-8
57702	3-67, 3-69	65441	2-97	74100	4-8, 4-9
57804	2-89, 2-238	65580	3-61	74122	4-5
57946	2-165	65581	3-39	74123	4-5
58311	2-95	65695	2-113, 2-115	74125	4-5
58366	2-61	67004	3-59, 3-61	74165	4-5
58494	2-15	67555	2-117	74166	4-5
58589	2-87	67767	2-37, 2-55, 2-87, 2-97	74167	4-5
58590	2-87	67811	2-169	74168	4-5
58592	2-173	68866	2-97	74180	4-7
58819	2-7, 2-9, 2-97	68869	2-89	74183	4-25
58842	2-91	69173	2-175, 2-177	74185	4-25
58979	2-143	69234	2-73, 2-87	74193	4-25
59009	2-95	69582	2-95	74196	4-25
59156	2-87, 3-11	69657	3-59, 3-61	74196	4-25
59194	2-129	69659	3-59, 3-61	74222	4-25
59195	2-133	69785	2-136	74225	4-7
59378	4-10	70096	4-7	74226	4-7
59542	2-101	70100	4-7	74232	4-25
59577	2-17, 2-177, 3-17	70157	2-9, 2-149	74233	2-147, 4-10
59633	3-11	70563	2-113, 2-115	74237	4-7
59649	2-151	70622	2-17	74243	4-25
59668	2-97	70623	2-17	74244	4-25
59735	2-151	70709	2-17	74245	4-25
59967	2-151	70717	2-17	74250	4-8, 4-9
60090	2-171, 3-15	71204	2-121	74440	2-99
60295	2-89	71340	2-91	74454	2-151
607775	4-29	71341	2-91	74455	2-7, 2-55, 2-171
61490	4-8, 4-9	71367	2-95	75456-3	2-147
61869	2-29	71369	2-117	75456-4	2-147
62471	2-171	71556	2-161, 2-163	75968	2-17
62595-15	2-85	71607	2-129, 2-133	76099	2-119, 3-21, 3-25, 3-33, 3-43
630164	3-39	71726	2-173	761490	2-7, 3-13
630371	3-3	71727	2-175, 2-177	762249	3-19
63175-1	3-11	71729	2-113, 2-115, 4-8	762282	2-29, 2-39
63233	3-11	71735	2-161	762514	2-89
63234	2-99	71741	2-161, 2-163	763042	2-103
63244-2	3-3	71868	3-11	763090	2-117
63245-1	3-19	71869	3-11	763114	3-19
63378	2-87	71874	3-11	763115	3-52, 3-53
63430	3-59, 3-61	71941	2-19	763116	2-105, 3-19, 3-25, 3-33, 3-43
63448	3-59, 3-61	72897	2-101	76315	2-149
63451	3-59, 3-61	72926	2-91	76316	2-175, 3-17
63468	2-125	72968	3-39, 3-61	76426	2-143
63810	2-25, 2-27, 2-29, 2-32, 2-37, 2-39, 2-141, 3-3, 3-5, 3-13, 3-23, 3-25, 3-31, 3-33, 3-41, 3-43, 3-63	72970	2-17	76570	2-75, 2-139, 2-145
63923	4-26	73027	2-17	76888	2-15
63987-1	3-39	73260	3-3, 4-26	76958	2-49
		73281	2-91	769785	3-63
		73342	4-3	77003	4-11, 4-19, 4-21, 4-23
		73411	2-99		
		73433	3-3		

CROSS REFERENCE

Part Number	Page Number	Part Number	Page Number	Part Number	Page Number
77005	4-11, 4-13, 4-15, 4-17, 4-19, 4-21, 4-23	87738	2-61, 2-81	9003610	2-85
77006	4-19	87816	2-129, 2-133	9003774	2-103
77097	2-109, 2-111, 2-121, 2-129, 2-133, 2-175, 2-177, 3-11	87866	1-1, 2-13	9003793	2-139
77098	2-117, 2-149, 2-151, 3-11	9000355	2-83, 2-85	9003794	2-145
77221	2-241	9000845	3-51, 3-53	9003832	2-53
77345	2-91	9000846	3-49, 3-52	9003893	2-143
78122	2-87	9000879	3-49, 3-51, 3-52, 3-53	9003926	3-71
78398	3-3, 4-3	9001310	3-63	9003997	2-55
78829	4-3	9001314	3-55	9004117	2-135
78830	4-3	9001316	3-70	9004475	4-21, 4-23
78833	4-3	9001321	3-47	9004493	2-123
78836	4-3	9001327	3-49	9004674	5-11
78838	4-3	9001331	3-51	9004675	5-11
78839	4-3	9001334	3-59, 3-61	9004880	2-13
78840	4-3	9001338	3-67	9004983	2-53
78841	4-3	9001717	3-53	9005165	2-135, 2-136
78842	4-3	9001718	3-52	9006257	3-71
78843	4-3	9002380	2-9	9006334	2-7, 2-107, 3-13
78875	4-26	9002381	2-9	9006386	2-115
78950	4-27	9002391	2-13	9006398	2-113, 2-115
78951	4-27	9002392	2-13	9006592	2-85
78952	4-27	9002394	2-51, 2-53	9006618	2-35, 6-30
79273-1	3-23, 3-25	9002395	2-83	9006619	2-29, 2-35, 6-28
79273-2	2-141	9002398	2-173	9006620	2-39, 6-29
79380	2-147	9002399	2-7	9006634	2-23
79381	2-51, 2-53, 2-55, 2-61, 2-81	9002400	2-7	9006635	2-23
79484	3-3	9002401	2-7	9006811	2-59
79497	3-3	9002409	2-9	9006813	2-59
79506	2-139, 2-145	9002435	2-13	9006895	2-23
79729	4-5	9002553	1-1	9006917	2-49
79828	4-5	9002554	1-1	9007088	2-49
80288	2-9	9002555	1-1	9007131	3-47
80395	2-123, 2-139, 2-145	9002613	1-1	9007142	2-169
80409	2-125	9002683	2-151	9007380	1-1, 2-39, 6-29
80950	2-125	9002684	2-147	9007381	1-1
81784	2-129, 2-133	9002708	4-3	9007382	1-1
81952	2-125	9002709	4-3	9007423	2-35, 6-30
82727	2-9	9003009	4-32	9007424	2-35, 6-30
82739	2-107	9003068	2-136	9007513	2-7
82832	2-91	9003069	2-135	9007552	2-39
82839	3-13	9003070	2-136	9007553	2-39
83578	2-25, 2-27, 2-32, 2-37	9003071	2-135	9007882	3-37, 4-29
83874	1-1, 2-123	9003313	2-143	9007883	4-29
83879	2-99	9003345	5-3	9007912	2-13
84170	2-99	9003390	2-27, 2-29	9007913	2-13
84597	1-2	9003391	2-35	9008193	6-29
86508	3-3	9003422	2-9	9008197	2-23, 5-7
86636	2-143	9003423	2-9	9008248	2-91
86659	2-93	9003425	2-9	9008395	2-23
86751	2-95	9003426	2-9	9008757	4-32
86759	3-7	9003428	2-9	9008804	6-29
86866	2-117	9003429	2-9	9008805	6-25, 6-29
87536	2-13	9003431	2-9	9008806	6-30
87631	2-113, 2-115	9003432	2-9	9008807	6-30
87730	2-83	9003433	2-9	9008808	6-30
		9003444	2-105	9008848	4-32
		9003449	2-143	9008868	3-29, 4-32
		9003453	2-13	9010085	3-57
		9003455	2-147	9010086	3-57
		9003461	2-147	9010096	2-79

CROSS REFERENCE

Part Number	Page Number	Part Number	Page Number	Part Number	Page Number
9010097	2-79	9010279	6-29	9010430	6-3
9010215	6-22	9010280	6-29	9010431	6-3, 6-5
9010217	6-20	9010281	6-15	9010432	6-3
9010219	6-20	9010282	6-15	9010433	6-3
9010222	6-17	9010283	6-15	9010434	6-3
9010223	6-17	9010284	6-15	9010435	6-3
9010224	6-17	9010285	6-15	9010436	6-3
9010225	6-17	9010286	6-15	9010437	6-3
9010226	6-17	9010287	6-15	9010438	6-3
9010227	6-17	9010288	6-15	9010439	6-3
9010228	6-17	9010289	6-22, 6-23	9010440	6-3
9010229	6-17, 6-21	9010290	6-22	9010441	6-3, 6-5
9010230	6-17	9010291	6-22	9010442	6-3
9010231	6-17	9010294	6-22	9010443	6-3
9010232	6-18	9010295	6-22	9010444	6-3
9010233	6-18	9010296	6-16	9010445	6-3
9010234	6-18	9010297	6-16	9010446	6-3
9010235	6-18	9010298	6-16	9010447	6-3
9010236	6-18	9010302	6-16	9010448	6-3
9010237	6-18	9010303	6-16	9010449	6-3
9010238	6-18	9010305	6-23	9010450	6-3
9010239	6-16, 6-18	9010306	6-23, 6-26	9010451	6-3
9010240	6-18, 6-19	9010307	6-23	9010452	6-3
9010241	6-18	9010308	6-23	9010453	6-3
9010242	6-18	9010309	6-23	9010454	6-3
9010243	6-19	9010310	6-23	9010455	6-3
9010244	6-19	9010311	6-7	9010456	6-3
9010245	6-20	9010312	6-7	9010457	6-3
9010246	6-20	9010313	6-7	9010458	6-3
9010247	6-25	9010314	6-30	9010459	6-3
9010248	6-25	9010317	6-29	9010460	6-4
9010249	6-25	9010327	6-26	9010461	6-4
9010250	6-9	9010330	6-27	9010462	6-4
9010251	6-9	9010331	6-27	9010463	6-4
9010252	6-9	9010359	6-18	9010464	6-4
9010253	6-9, 6-21	9010360	6-18	9010465	6-4
9010254	6-9	9010366	6-25	9010466	6-4
9010255	6-25	9010367	6-25	9010467	6-5
9010256	6-25	9010371	6-21	9010468	6-5
9010257	6-25	9010372	6-21	9010469	6-5
9010258	6-25	9010373	6-21	9010470	6-5
9010259	6-12	9010374	6-21	9010471	6-5
9010260	6-25	9010375	6-21	9010473	6-5
9010261	6-25	9010376	6-21	9010479	6-19
9010262	6-16, 6-25, 6-29	9010377	6-21	9010480	6-5
9010263	6-25	9010380	6-21	9010481	6-5
9010264	6-25, 6-29	9010382	6-15	9010482	6-5
9010266	6-27, 6-28	9010383	6-15	9010483	6-5
9010267	6-28	9010384	6-15	9010484	6-5
9010268	6-27, 6-28	9010419	6-3	9010485	6-5
9010269	6-28	9010420	6-3	9010487	6-7
9010270	6-28	9010421	6-3	9010488	6-7
9010271	6-28	9010422	6-3	9010489	6-7
9010272	6-29	9010423	6-3	9010490	6-7
9010273	6-29	9010424	6-3	9010491	6-7, 6-9
9010274	6-29	9010425	6-3	9010492	6-7
9010275	6-29	9010426	6-3, 6-12	9010493	6-7
9010276	6-29	9010427	6-3	9010494	6-7
9010277	6-29	9010428	6-3	9010495	6-7
9010278	6-29	9010429	6-3	9010496	6-7

CROSS REFERENCE

Part Number	Page Number	Part Number	Page Number	Part Number	Page Number
9010497	6-7	9010564	6-9	9010910	6-22
9010498	6-7	9010565	6-9	9010988	3-69
9010502	6-7	9010567	6-9	9011343	4-17, 4-23
9010503	6-7, 6-13	9010568	6-9	9011345	4-17, 4-23
9010504	6-7	9010569	6-9	9011346	4-17, 4-23
9010505	6-7	9010570	6-11	9011347	4-17, 4-23
9010506	6-7	9010571	6-11	9012585	4-31
9010507	6-7	9010572	6-11	9012587	4-31
9010508	6-7	9010574	6-11	9012589	4-31
9010511	6-7	9010575	6-11	9012590	4-31
9010512	6-7	9010576	6-11	9012591	4-31
9010513	6-10	9010577	6-11	9012592	4-31
9010514	6-10	9010578	6-11	9012593	4-31
9010515	6-10	9010579	6-11	9012594	4-31
9010516	6-10	9010580	6-11	9012595	4-31
9010517	6-10	9010582	6-12	9012597	2-53
9010518	6-10	9010583	6-12	9013159	2-77
9010519	6-10	9010585	6-12	9013530	6-22
9010520	6-10	9010586	6-12	9014160	6-19
9010521	6-10	9010587	6-12	9014162	6-5
9010522	6-10	9010589	6-12	9014202	2-63, 2-65
9010523	6-10	9010590	6-12	9014281	3-39
9010524	6-10	9010591	6-12	9014662	2-5
9010525	6-10	9010592	6-12	9014666	2-5
9010526	6-10	9010593	6-12	9014867	3-65
9010527	6-10	9010594	6-12		
9010528	6-10	9010595	6-12		
9010529	6-10	9010596	6-12		
9010530	6-9	9010597	6-12		
9010531	6-9	9010598	6-12		
9010532	6-9	9010599	6-12		
9010533	6-9	9010600	6-11, 6-12		
9010534	6-9	9010601	6-12		
9010535	6-9	9010602	6-13		
9010536	6-9	9010603	6-13		
9010537	6-9	9010604	6-13		
9010538	6-9	9010606	6-13, 6-15		
9010539	6-9	9010607	6-13		
9010540	6-9	9010609	6-13		
9010541	6-9	9010610	6-13		
9010542	6-9	9010612	6-13		
9010543	6-9	9010613	6-15		
9010544	6-9	9010615	6-15		
9010545	6-9	9010617	6-15		
9010546	6-9	9010618	6-15		
9010547	6-9	9010619	6-16		
9010548	6-9	9010622	1-1, 6-19		
9010549	6-9	9010623	6-17		
9010550	6-9	9010624	6-17		
9010551	6-9	9010625	6-17		
9010552	6-9	9010626	6-29		
9010554	6-9	9010628	6-21		
9010555	6-9	9010629	6-21		
9010556	6-9	9010630	6-21		
9010557	6-9	9010631	6-21		
9010559	6-9	9010632	6-22		
9010560	6-9	9010634	2-35, 6-30		
9010561	6-9	9010635	3-71		
9010562	6-9	9010904	2-81		
9010563	6-9	9010905	6-22		

PART DESCRIPTION TO PAGE NUMBER CROSS REFERENCE LIST

A

Ace, Thrust, Motor, Hyd [En], 4-9
 Actuator [Mit , Bosch], 6-27, 6-28
 Actuator, Valve, By-Pass [En], 4-7
 Adapter , 2-29, 2-35, 6-28
 Adapter [1.6], 2-31
 Adapter, Filter, Oil, Remote [Mit], 6-21
 Adapter, Intake, Throttle Body, 2-25, 2-27, 2-35
 Adapter, Plate, 2-31
 Adapter, Rod-End, Side Brush, 3-11
 Adapter, Throttle Body, 2-31
 Adapter, Valve, 400mm [Bosch], 2-35
 Adapter, Valve, Fuel Trim, 2-31
 Adjuster Assy, Lash, 6-9
 Alarm Assy, Backup, 12/48Vdc, 3-47
 Alarm Kit, Backup, Ci [M20 And T20], 3-47
 Alarm, 9-48vdc, 95 Db(A) [Ec-H20], 3-37
 Alarm, Warning [Sonalert, St628], 2-89
 Alternator, 12vdc 075a [Multi Grv], 2-49
 Alternator, 7si [Mit Df Sur-Belt], 6-20
 Angle, Brace, Shrd, 2-21
 Angle, Lh, 2-121
 Angle, Mtg, 2-99
 Angle, mtg, Antenna, Telem, 3-57
 Angle, Mtg, Stil, .12 1.6 1.6 02.2l, 2-171
 Angle, Mtg, Valve, 3-13
 Angle, Retainer, 2-103
 Angle, Rh, 2-121
 Angle, Sppt, Fan, 2-147, 2-149
 Angle, Sppt, Tank, Rear, 2-135
 Antenna, Telem, 70 In [Gprs], 3-57
 Arm [Positioning], 2-99
 Arm Assy, Rocker [A], 6-9
 Arm Assy, Rocker [B], 6-9
 Arm Assy, Rocker [C], 6-9
 Arm Wldt, Alternator [Mit 2013], 2-75
 Arm Wldt, Lift, Sqge, Lh, 2-133
 Arm Wldt, Safety, Sppt, Seat, .38d 06.5d, 2-15
 Arm Wldt, Safety, Sppt, Seat, .38d 10.1l, 2-143
 Arm Wldt, Sqge, Lift, Rh, 2-129
 Arm, Cntrl, Pintle, Centering, 2-99
 Arm, Lever, Brake, 4.1 [Knott], 2-93
 Arm, Link, 3-11
 Arm, Pinch, 2-139, 2-145
 Arm, Pintle, 2-99
 Arm, Rocker, Valve, 5-3
 Arm, Sqge, Side, Lh, 2-133
 Arm, Sqge, Side, Rh, 2-129
 Armrest, 4-31
 Armrest, Rh, 2-15

B

Bag, Power, 3-61
 Ball, Camshaft, 5-11
 Bar Wldt, Retainer, Sqge, Rear, 2-123

Bar, Flat, Ss, .06 X .50 X 10.0l 2/.19sl, 2-13
 Bar, Flat, Stil 0.19, 01.50 X 04.1l, 2-91
 Bar, Isolator, Vacfan [M20 2007], 2-151
 Bar, Isolator, Vacfan [M20], 2-151
 Bar, Mtg, Hppr, 2-103
 Bar, Mtg, Hppr Cover, 2-105
 Bar, Retainer, 3-7
 Bar, Rnd, Plstc, 0.31d 12.5l, 2-135, 2-136
 Bar, Tensioner, Mtg [Mit 2.0/2.4l], 6-17
 Base Assy, Fan, W/O Pulley, 2-49
 Battery, 12vdc, 0475cca, Ah, Wet, 2-89
 Battery, Wet, 12vdc 0475cca, 1-1
 Bearing Kit [CI], 4-25
 Bearing Kit, Cshft, 1.989-1.995mm (Brown - Middle), 5-5
 Bearing Kit, Cshft, 1.989-1.995mm (Std Brown), 5-5
 Bearing Kit, Cshft, 1.995-2.001mm (Brown Blue), 5-5
 Bearing Kit, Cshft, 1.995-2.001mm (Green - Middle), 5-5
 Bearing Kit, Cshft, 2.114-2.120mm (Green), 5-5
 Bearing Kit, Cshft, 2.120-2.126mm, 5-5
 Bearing Kit, Rod, Connecting, Std, 5-5
 Bearing, Ball, 0.98b 2.05d 0.59w, 2-113, 2-115
 Bearing, Ball, 1.18b 2.44d 0.63w, 2-93
 Bearing, Ball, 20mm B 42mm D 12mm W, 2-49, 2-75, 3-69
 Bearing, Cone, 1.38b 0.71w, 2-91
 Bearing, Cone, Pump, Hyd, 4-7
 Bearing, Cshft [Black Std 3], 6-3
 Bearing, Cshft [Green Std 3], 6-3
 Bearing, Cshft [Lan Std 1,2,4,5], 6-3
 Bearing, Cshft [Lan Std 3], 6-3
 Bearing, Cshft [No Color Std 3], 6-3
 Bearing, Cshft [Red Std 1,2,4,5], 6-3
 Bearing, Cshft [Yellow Std 3], 6-3
 Bearing, Cshft [Green Std 1,2,4,5], 6-3
 Bearing, Cshft [Yellow Std 1,2,4,5], 6-3
 Bearing, Cshft [No Color Std 1,2,4,5], 6-3
 Bearing, Cup, 4-7
 Bearing, Cup, 2.56d 0.55w, 2-91
 Bearing, Fng, 2-Hole, 0.50b, 2-17
 Bearing, Fng, 2hole, 0.50b [Nyl], 2-17
 Bearing, Oversize [1.0], 6-3
 Bearing, Pillowblock, 1.02b [Solid Pye], 2-95
 Bearing, Rod, Connect [Lan Std], 6-10
 Bearing, Rod, Connect [No Color Std], 6-10
 Bearing, Rod, Connect [Yellow Std], 6-10
 Bearing, Self Align, 0.75b 1.25d, 2-117
 Bearing, Self Align, 1.25b 2.00d, 2-101
 Bearing, Shaft, Balancer [Ovrsz], 6-3
 Bearing, Shaft, Std, Balancer, 6-3
 Bearing, Split, 1.00b, 2-95
 Bearing, Std, Balancer, 6-3
 Bearing, Thrust, 4-9

Bearing, Thrust, 0.53b 1.00d 0.03w, 3-11
 Bearing, Thrust, Cshft, 6-3
 Bearing, Thrust, Pump, Hyd, 4-7
 Bellcrank, Lift, Sqge, 2-121
 Bellows, Seat, 4-31
 Belt, Ribbed, 38.5l, 1-1, 2-49
 Belt, Ribbed, Alternator, 41.5l, 2-75
 Belt, Ribbed, Fan, 42.13l, 2-75
 Belt, Timing, 6-9, 6-11
 Belt, Timing [Gm1.6l], 5-11
 Blade, Sqge, .38 3.55w 038.3l, Linatex, 2-127, 2-131
 Blade, Sqge, .38 3.55w 038.3l, Ure, 1-1
 Blade, Sqge, .38 3.55w 038.3l, Ure (Option), 2-127, 2-131
 Blade, Sqge, 37.08l Linatex, 1-1
 Blade, Sqge, Front [Linard], 1-1
 Blade, Sqge, Front, 49.58l [Linard], 2-123
 Blade, Sqge, Front, 49.58l Ure (Option), 2-123
 Blade, Sqge, Front, 49.59l Pyu, 1-1
 Blade, Sqge, Rear, 53.78l Pyu, 1-1
 Blade, Sqge, Rear, 53.78l Ure (Option), 2-123
 Blade, Sqge, Rear, Linatex, 1-1, 2-123
 Blade, Sqge, Side Brush, Linatex, 1-2, 3-9
 Blade, Sqge, Side Brush, Urethane, 1-2, 3-9
 Block Assy, Cylinder, 6-3
 Block, Centering, 2-121
 Block, Guide, Hppr, 2-7
 Block, Short, Eng, W/ Piston & Ring, 5-5
 Block, Spacer, 2-75
 Bolt, 6-7, 6-21
 Bolt, 3/8-16 X 1 1/4 Hxhd [Mit], 6-17
 Bolt, 3/8-16 X 4.5 [Mit], 6-17
 Bolt, Belt, Balancer, Train, 6-11
 Bolt, Bracket, Sensor, Cshft Position, 5-7
 Bolt, Bracket, Screen, Oil Pump, M6x1x1, 5-7
 Bolt, Camshaft Cover, 5-3
 Bolt, Cap, Bearing, 6-3
 Bolt, Carriage, M06 X 1.0 X 30, 2-109, 2-111
 Bolt, Carriage, M06 X 1.00 X 40, 4.6, 3-37
 Bolt, Carriage, M10 X 1.5 X 70, 2-125
 Bolt, Connecting, 6-10
 Bolt, Connecting Rod, 5-5
 Bolt, Cover, Camshaft, M6 X 1 X 22, 5-11
 Bolt, Cover, Oil Pump, M6 X 14, 5-7
 Bolt, Cover, Water Pump, 5-7
 Bolt, Eng Cover, M6 X 1 X 13, 5-11
 Bolt, Eye, .25-20 X 1.40 X .25 Eye, 2-99
 Bolt, Eye, M08 X 1.25 X 070mm, 05.50 Eye, 2-129, 2-133
 Bolt, Eye, M10 X 1.50 X 064mm, 07.10 Eye, 2-121
 Bolt, Flange, 6-3, 6-5, 6-7, 6-9, 6-11, 6-12, 6-13, 6-15
 Bolt, Flywheel, 5-5
 Bolt, Flywheel [Mit 20/24m], 6-18

CROSS REFERENCE

- Bolt, Head, Cyl, 5-3
Bolt, Hsng, Thermostat, 5-3
Bolt, M06 X 1.00 X 13mm, 5-8
Bolt, M08 X 1.25 X 25mm, 5-5
Bolt, M10 X 1.50 X 75mm, 5-5
Bolt, M10- 1.25 X 20 Hxhd [Mit], 6-25
Bolt, M10- 1.25 X 30 Soc Hd [Mit], 6-18
Bolt, M10- 1.25 X 45 Soc Hd [Mit], 6-18
Bolt, M10- 1.50 X 30 [Mit], 6-20
Bolt, M12 X 1.75 X 62mm, 5-5
Bolt, M12- 1.75 X 25, Hex Hd [Mit], 6-18
Bolt, M6- 1.0 X 10 Fl Hd [Mit], 6-16, 6-25, 6-29
Bolt, M6- 1.0 X 12 Fl Hd Pl [Mit], 6-25
Bolt, M6- 1.0 X 16 Fl Hd [Mit], 6-25
Bolt, M6- 1.0 X 20 Fl Hd [Mit], 6-18, 6-19
Bolt, M6- 1.0 X 25 Soc Hd [Mit], 6-28
Bolt, M6- 1.0 X 30 Fl Hd [Mit], 6-25
Bolt, M6- 1.0 X 45, Skt Hd [Mit], 6-27
Bolt, M6- 1.0 X 85 Soc Hd [Mit], 6-28
Bolt, M8- 1.25 X 12 [Mit], 6-23
Bolt, M8- 1.25 X 15, Hx Hd [Mit], 6-18
Bolt, M8- 1.25 X 16 Fl Hd [Mit], 6-29
Bolt, M8- 1.25 X 16, Soc Hd [Mit], 6-26
Bolt, M8- 1.25 X 20 Fl Hd [Mit], 6-17
Bolt, M8- 1.25 X 25 [Mit], 6-17, 6-21
Bolt, M8- 1.25 X 25 Flg Hd [Mit], 6-23
Bolt, M8- 1.25 X 25 Soc Hd [Mit], 6-17
Bolt, M8- 1.25 X 55 Fi Hd [Mit], 6-9
Bolt, M8- 1.25 X 65 Hxhd [Mit], 6-9
Bolt, M8- 1.25 X 70 Hxhd [Mit], 6-9, 6-21
Bolt, Manifold, Inlet, 6-15
Bolt, Motor, Hyd, 4-5
Bolt, Oil Pump Screen/Camshaft Cover, 5-7
Bolt, Pan, Oil, 5-8
Bolt, Pulley, Cshft, 5-5
Bolt, Pump, Oil, 5-7
Bolt, Retainer, Camshaft, M6 X 1 X 16, 5-11
Bolt, Rocker, Cover, 6-4
Bolt, Seal, 6-9
Bolt, Sensor, Position, Cshft, 5-7
Bolt, Shield, Manifold, Exhaust, 5-9
Bolt, Shld, .31d X 1.00, .25-20, 2-99
Bolt, Shld, 1.37d X 5.13l, 1.1- 18 Drilled, 2-91
Bolt, Soc Head, M5 X 80 X 35, 2-35
Bolt, Sprocket, Camshaft, M10x1.25x60, 5-11
Bolt, Sprocket, Cshft, 6-10
Bolt, Tensioner [GM], 5-11
Bolt, Tensioner, Timing Belt, M8x1.25x48, 5-11
Bolt, Tube [Pvc], M6 X 1 X 15, 5-3
Bolt, Washer, 6-9, 6-10, 6-12, 6-17
Boot, .63id .29l .90w, 2-13
Boot, Bellows, 3.1l 4.4w 2.8h 1hole, Neo, 2-17
Boot, Circuitbreaker, 3-37
Boot, Switch, Ignition, 2-13
Bracket Assy, Coil, Ignition, 6-7
Bracket Kit, Alternator, Repair, 2-49
Bracket Wldt, Alternator [Mit13], 2-75
Bracket Wldt, Alternator, Lower [Gm1.6], 2-49
Bracket Wldt, Brush Wrap Mtg, Rh, 2-117
Bracket Wldt, Brush Wrap, Lh, 2-117
Bracket Wldt, Cooler, Hyd Fluid, 2-171
Bracket Wldt, Flap, Recirculation, 2-119
Bracket Wldt, Guard, Sqge, 3-67
Bracket Wldt, Latch, 2-19
Bracket Wldt, Mtg [FaST Gen 2+], 3-29
Bracket Wldt, Mtg [FaST], 3-21
Bracket Wldt, Mtg, Caster, 2-125
Bracket Wldt, Mtg, Eng, 2-23
Bracket Wldt, Mtg, Eng, Back, Gas/Lpg, 2-23
Bracket Wldt, Mtg, Eng, Rear [Mit 2013], 2-63, 2-65
Bracket Wldt, Mtg, Engine [Mit 2013], 2-63, 2-65
Bracket Wldt, Mtg, Fan, Upper, 2-59
Bracket Wldt, Mtg, Hose, 2-9
Bracket Wldt, Mtg, Reg, Lpg[Gm 2010], 2-39
Bracket Wldt, Mtg, Regulator, Lpg, 2-37
Bracket Wldt, Mtg, Side Brush, 3-7
Bracket Wldt, Mtg, Side Brush Fixed, 3-9
Bracket Wldt, Mtg, Sqge, 2-125
Bracket Wldt, Mtg, Tank, 2-9
Bracket Wldt, Pivot, Hppr Door, Lh, 2-109, 2-111
Bracket Wldt, Pivot, Hppr, Rh, 2-111
Bracket Wldt, Propel, Pintle, 2-99
Bracket Wldt, Radiator, Fan, Gas/Lpg, 3-69
Bracket Wldt, Steering, Tilt, 2-17
Bracket Wldt, Tank, Soltn, Rh, 2-135
Bracket Wldt, Tilt, Rh, 2-17
Bracket, Anchor, Strap, Alternator, 2-49
Bracket, Coil [Mit 2.0/2.4], 6-19
Bracket, Cover, 2-59, 2-109, 2-111
Bracket, Cover, Hopper, 2-109, 2-111
Bracket, Cover, Hppr, 2-105
Bracket, Fan, Lh, 2-59
Bracket, Fan, Rh, 2-59
Bracket, Fan, Upper, Lh, 2-59
Bracket, Filter, Oil, Remote [Mit], 6-21
Bracket, Ftg, Bh, 2-55
Bracket, Guide, Shrd, 2-21
Bracket, Indicator, Timing, 6-9
Bracket, Keeper, Latch, 2-136
Bracket, Latch, Cover, 2-21, 2-136, 3-65
Bracket, Latch, Keeper [Southco], 2-21
Bracket, Latch, Shrd, Seat, 2-15
Bracket, Lip, Hppr, 2-109, 2-111
Bracket, Mtg, 2-9
Bracket, Mtg [Ecu], 2-25, 2-31
Bracket, Mtg [FaST Gen 2+], 3-29
Bracket, Mtg [FaST], 3-21
Bracket, Mtg, Alternator [Mit 2013], 2-75
Bracket, Mtg, Cable, 2-95
Bracket, Mtg, Cover, Recvy Tank, 2-143
Bracket, Mtg, Cyl, 2-99, 2-129, 2-133
Bracket, Mtg, Detgt And Spray Wand, 3-5
Bracket, Mtg, Ecu, 2-35
Bracket, Mtg, Ecu [M20/T20 2007], 2-27, 2-29
Bracket, Mtg, Fan, 2-147
Bracket, Mtg, Fltr, Air, 2-41, 2-43, 2-45, 2-47
Bracket, Mtg, Fltr, Air [Mit 2013], 2-71, 2-73
Bracket, Mtg, Fuel, 2-83
Bracket, Mtg, Insulation, 2-9
Bracket, Mtg, Latch, 2-55
Bracket, Mtg, Latch, Tank Cover, 2-135, 2-136
Bracket, Mtg, Lift, Scb Head, 2-117
Bracket, Mtg, Mirror, Rearview, 3-55
Bracket, Mtg, Motor, 2-147, 2-151
Bracket, Mtg, Muffler [M20/T20 2007], 2-53, 2-77
Bracket, Mtg, Prop Rod, 2-143
Bracket, Mtg, Radiator, 2-55, 2-59, 2-79
Bracket, Mtg, Scb Head, Lh, 2-117
Bracket, Mtg, Scb Head, Rh, 2-117
Bracket, Mtg, Skirt, 2-119
Bracket, Mtg, Skirt, Brush Door, 2-127, 2-131
Bracket, Mtg, Skirt, Door, 2-127, 2-131
Bracket, Mtg, Skirt, Door, Brush, 2-127, 2-131
Bracket, Mtg, Sppt, 2-91
Bracket, Mtg, Spray Handle, 3-63
Bracket, Mtg, Spray Wand [FaST, Conv], 3-63
Bracket, Mtg, Spring, 2-117
Bracket, Mtg, Sqge, 3-7
Bracket, Mtg, Strainer, 3-5
Bracket, Mtg, Switch, 2-107
Bracket, Mtg, Vacuum Wand, 3-59
Bracket, Mtg, Valve, 2-141, 3-3
Bracket, Mtg, Valve [Combined], 2-177
Bracket, Mtg, Valve, Hyd, Scb, 2-175
Bracket, Mtg, Valve, Hyd, Swp, 2-175
Bracket, Mtg, Valve, Lower, 2-177
Bracket, Muffler, 2-77
Bracket, Muffler, Hanger, Front, 2-51
Bracket, Pivot, Hppr Door, Rh, 2-109
Bracket, Propel, G/Lpg [Mit 2013], 2-99
Bracket, Propel, Gas/Lpg, 2-99
Bracket, Protector, Float Switch, 2-143
Bracket, Pulley, Tensioner, 6-9
Bracket, Pump, Mtg, 6-17
Bracket, Reg [1.6], 2-31
Bracket, Retainer, Lh, 2-113
Bracket, Retainer, Pump, 3-29
Bracket, Retainer, Rh, 2-115
Bracket, Retainer, Safety, 2-99
Bracket, Retainer, Shield, Heat, 2-51
Bracket, Retainer, Spring, 2-5
Bracket, Retaining, Hose, 2-139, 2-145, 3-65
Bracket, Retaining, Wire, Sparkplug, 5-12
Bracket, Screen, Oil Pump, 5-7
Bracket, Seat, Adj, 2-15
Bracket, Sensor, Position, Cshft, 5-7

Bracket, Shield, Heat, 2-21
 Bracket, Shrd, Fan, Lower, Gas/Lpg, 3-69
 Bracket, Shrd, Fan, Lower, Sppt, G/Lpg, 2-79
 Bracket, Shrd, Fan, Upper, Sppt, G/Lpg, 2-79
 Bracket, Shrd, Fan, Upper, Sppt, Gas/Lpg, 3-69
 Bracket, Shrd, Radiator, Gas/Lpg, Ce, 3-69
 Bracket, Skirt, Rbr, 2-59
 Bracket, Soltn, Tank, Cntr, 2-135
 Bracket, Spacer, Controlbox, 3-57
 Bracket, Sppt, 2-113, 2-115
 Bracket, Sppt, Cover, Tank, Recvy, 2-143
 Bracket, Sppt, Radiator, Upper, 2-56
 Bracket, Sppt, Strobe Light, 3-47, 3-49
 Bracket, Sppt, Strobel Light, 3-51
 Bracket, Sppt, Tank, Lh, 2-143
 Bracket, Sppt, Tank, Rh, 2-143
 Bracket, Tank, Soltn, Lh, 2-135
 Bracket, Tensioner, [Mit 2.0/2.4], 6-17
 Bracket, Tilt, Lh, 2-17
 Bracket, Tube, Coolant, 2-61
 Bracket, Valve, Sba [M20 And T20], 3-15
 Bracket, Vaporizer [Mit 20/24m Tilt], 6-29
 Brake Assy, Drum, Mech, 07.0d 1.2w, 2-93
 Brush Assy, Disk, Scb, 16.0d, Heavy Duty Polypropylene, 2-5
 Brush Assy, Disk, Scb, 16.0d, Nylon, 2-5
 Brush Assy, Disk, Scb, 16.0d, Super Abrasive, 2-5
 Brush Assy, Disk, Scrub, 16.0 D, Heavy Duty Polypropylene (Replaced by 1220236), 2-5
 Brush Assy, Disk, Scrub, 16.0 D, Super Abrasive (Replaced by 1221543), 2-5
 Brush Assy, Disk, Scrub, 16.0D, Nylon (Replaced by 1220235), 2-5
 Brush Assy, Disk, Sweep, 24.oD, Polypropylene (Replaced by 1220185), 2-5
 Brush Assy, Disk, Swp, 24.0d, Polypropylene, 2-5
 Brush Kit, Hub Assy, Drive, Ci [Hdpe In], 2-5
 Brush Kit, Hub Assy, Drive, Ci [Uhmw], 2-5
 Brush, Sweep / Scb, 40L, Heavy Duty Polypropylene, 2-3
 Brush, Sweep / Scb, 40L, Polyester, 2-3
 Brush, Sweep / Scb, 40L, Polypropylene, 2-3
 Brush, Sweep / Scb, 40L, Super Abrasive, 2-3
 Brush, Sweep / Scb, 40L, Wndw, Super Abrasive, 2-3
 Brush, Sweep / Scb, 40L, Wndw, Polypropylene, 2-3
 Bumper Wldt, Brush, Side, 3-7, 3-9
 Bumper, Rbr, 0.5d 0.16t M5 X 08, 2-99
 Bumper, Rbr, 0.6d 0.34t .3d Tip, 2-171
 Bumper, Sqge, 2-123
 Bumper, Ure, 1.50d 1.25l, 3-67
 Bushing, 6-3, 6-5

Bushing, Eccentric, Adj, 2-139, 2-145
 Bushing, Flng, 0.32b 0.50d 0.24l, Bnz, 2-125
 Bushing, Flng, 0.50b 0.59d 0.38l, 2-139, 2-145
 Bushing, Flng, 0.63b 0.75d 0.38l, 2-125, 2-127, 2-131
 Bushing, Flng, 1.00b 1.13d 0.50l, 2-111, 2-121
 Bushing, Knock, 6-3
 Bushing, M06- 1.50 X .25- 27npt, 2-25, 2-31
 Bushing, Pivot, Door, 2-109
 Bushing, Sleeve, 0.37b 0.50d 0.50l, Oib, 2-95
 Bushing, Sleeve, 0.50b 0.59d 0.50l, Bnz, 3-11
 Bushing, Sleeve, 0.62b 0.72d 0.50l, Fgl, 2-125
 Bushing, Sleeve, 0.63b 0.72d 0.38l, 2-129, 2-133
 Bushing, Sleeve, 0.75b 0.88d 0.25l, 2-139, 2-145
 Bushing, Sleeve, 0.75b 0.88d 0.75l, Tef, 2-109
 Bushing, Sleeve, 0.78b 0.86d 0.93l, Bnz, 2-93
 Bushing, Sleeve, 0.88b 1.00d 0.75l, Bnz, 2-101
 Bushing, Sleeve, 1.00b 1.13d 1.50l, Fgl, 3-11
 Button, Cntrl, Horn, 2-17
 Bypass Valve Kit, Pump, Repair,, 4-27

C

Cable, Battery, 02ga 48.0l Red .41ring, 2-89
 Cable, Battery, 02ga 60.0l Blk .41ring, 2-89
 Cable, Battery, 2ga, 60l, Red, 2-89
 Cable, Battery, 2ga, 62l, Blk, 2-89
 Cable, Glv .06d 012.0l .26eye /.26eye, 3-67, 3-69
 Cable, Glv .09d 016.5l .38eye /.38eye, 2-19
 Cable, Glv .13d 015.8l .50eye /.50eye, 2-129, 2-133
 Cable, Push / Pull, 063.0l 4.0, .31- 24, 2-95
 Cable, Push / Pull, 098.0l .25- 28/.25- 28, 2-97
 Cam, 2-123
 Cam, Centering, Pintle, 2-99
 Cam, Front, 3-9
 Cam, Plt, Brake [Nickel], 2-93
 Cam, Rear, 2-123
 Cam, Sensor, Wheel [Mit 2.0/2.4], 6-25
 Camshaft, 5-11
 Camshaft Assy, 6-9
 Cap Assy, Tank, Drain, 2-143, 4-3
 Cap Screw, 4-8
 Cap Screw Cl, 4-9
 Cap, Arm, Lift, 2-107

Cap, Breather, Hyd, 2.4 Ds, 1-1, 2-173
 Cap, End, Valve, Steering, 4-25
 Cap, Filler, Oil, W/ Org, 5-3
 Cap, Fuel, Tank, 2-85
 Cap, Hub, Dust 2.57d 0.77l, 2-93
 Cap, Oil, Filler, 6-4
 Cap, Radiator, 14psi [Stant Ao-2516], 2-55
 Cap, Radiator, 14Psi [Stant], 2-59, 2-79
 Cap, Rubber, 5/8id [Mit 2.0/2.4], 6-22
 Cap, Seal, 6-3
 Cap, Spring, Valve, 5-3
 Cap, Tank, 3-5
 Cap, Tank, Fuel, 2.3neck 2.6d, 2-83
 Cap, Vinyl, 57mmid X 23mml, 2-113, 2-115
 Capacitor, Plug [4700uf, 25v], 3-46
 Cartridge, Psi Cntrl, Valve, Hyd, 4-13, 4-15, 4-19, 4-21
 Caster, Pivot, 2-125
 Catch, Latch, Tank Cover, 2-135, 2-136
 Chain, Str, 4/0, 08 Link, 2-121
 Channel Wldt, Pivot, 3-11
 Channel, Shield, Muffler, 2-51
 Channel, Shield, Muffler [M20/T20 2007], 2-53, 2-77
 Channel, Upper, Tower, Lift, 2-7
 Chech Valve Kit, Pump, Repair,, 4-27
 Circuitbreaker, 02.0a, Resetable, 3-37
 Circuitbreaker, 2.0a, Resetable, 3-37
 Clamp Wldt, Front, 2-123
 Clamp Wldt, Rear, 2-123
 Clamp, 0.75d [Mit], 6-25
 Clamp, 1/4 Hole [Mit #20], 6-25
 Clamp, 3/8id [Mit Olive Green], 6-15
 Clamp, Cable, Nyl, 0.62D, Nat, 3-57
 Clamp, Cable, Ss, 0.50d X 0.50w [Insul], 4-29
 Clamp, Cable, Ss, 1.12d X 0.38w, 1h, 2-141
 Clamp, Cable, Ss, 2.50d X 1.00w, 1h, 2-9
 Clamp, Cable, Ss, 2.50d X 1.00w, 1hole, 2-149
 Clamp, Cable, Stil, 0.25D X 0.56W, 1Hole, 3-49, 3-51
 Clamp, Cable, Stil, 0.44d X 0.62w, 1h, 2-171
 Clamp, Cable, Stil, 0.69d X 0.62w, 1h, 2-55, 2-97
 Clamp, Cable, Stil, 0.69d X 0.62w, 1hole, 2-37, 2-87
 Clamp, Cable, Stil, 1.00d X 0.75w, 1hole, 2-73, 2-87
 Clamp, Cable, Stil, 1.25d X 1.00w, 1hole, 2-61
 Clamp, Cable, Stil, 1.50d X 1.00w, 1h, 2-9, 2-55, 2-89, 2-171, 3-21
 Clamp, Cable, Stil, 1.50d X 1.00w, 1hole, 2-7, 2-81
 Clamp, Cable, Stil, 2.00d X 0.75w, 1 Hole, 2-83
 Clamp, Cable, Stil, 2.00d X 0.75w, 1hole, 2-85
 Clamp, Hose, 1.0, 2-37, 2-39
 Clamp, Hose, 1.75 [Pcv], 5-3

CROSS REFERENCE

- Clamp, Hose, Plstc .351-.394 Id, 3-21
Clamp, Hose, Spring Stl, 0.58d X 0.31w, 2-67, 2-69
Clamp, Hose, Spring Stl, 0.86d X 0.38w, 2-41, 2-43, 2-45, 2-47
Clamp, Hose, Spring, 0.62d, 2-37, 2-39, 6-22, 6-29
Clamp, Hose, Spring, 0.75d, 2-37, 2-39
Clamp, Hose, Wir, .52 - .56, Yel, 4-29
Clamp, Hose, Wir, .63 - .66, Blk, 4-29
Clamp, Hose, Wormdrive, 0.25-0.62d, .31w, 2-25, 2-27, 2-32, 2-37, 2-55, 2-56, 2-61, 2-81, 3-3, 3-5, 3-29, 3-39
Clamp, Hose, Wormdrive, 0.31-0.88d, .31w, 2-27, 2-37, 2-71, 2-73, 2-83, 2-85, 2-89, 3-13, 3-19, 3-23, 3-25, 3-29, 3-31, 3-33, 3-39, 3-41, 3-43, 3-63
Clamp, Hose, Wormdrive, 0.56-1.06d, .56w, 2-25, 2-27, 2-29, 2-32, 2-37, 2-39, 2-141, 3-3, 3-5, 3-13, 3-23, 3-25, 3-31, 3-33, 3-41, 3-43, 3-63
Clamp, Hose, Wormdrive, 1.25-2.00D, .50W, 2-51, 2-53, 2-55, 2-61, 2-81
Clamp, Hose, Wormdrive, 1.56-2.50d, .50w, 2-55, 2-61, 2-81
Clamp, Hose, Wormdrive, 1.81-2.75d, .50w, 2-41, 2-43, 2-45, 2-47, 2-71, 2-73
Clamp, Hose, Wormdrive, 2.50-3.50d, .50w, 2-123, 2-139, 2-145
Clamp, Hose, Wormdrive, 3.56-4.50D, .50W, 2-139, 2-145, 2-147, 2-151
Clamp, Hose, Wormdrive, 3.75-4.62d, .62w, 2-147
Clamp, Hyd, 0.50d, 2-113, 2-115
Clamp, Mtg, Fltr, Air, 2-41, 2-43, 2-45, 2-47, 2-71, 2-73
Clamp, Muffler, 1.62d, 2-51, 2-53
Clamp, Spring, 1.50, 2-43, 2-47
Clamp, Tension [Mit #29], 6-29
Clevis, Adj, 0.25 Pin, 0.25-28 Rh, Pl, 2-95
Clevis, Adj, 0.25pin, 0.25-28left Pl, 2-95
Clevis, Adj, 0.31pin, 0.31-24, 2-95
Clip, .250h, Plstc [Pine-Tree], 2-21
Clip, Grip, Finger, .875-1.25, 3-63
Clip, Grip, Finger, 0.88-1.25d, 3-37
Clip, Grip, Finger, 1.00-1.88d White, Vyl, 3-59, 3-61
Clip, Keeper, Open, 2-55, 2-59, 2-79
Coil, Ignition, 5-12
Coil, Ignition [Mit 2.0/2.4], 6-19
Column, Pump, Water, 4-3
Column, Steering, 09.9L 0.86D 36Tooth, 2-17
Complete Pump Kit, Pump, Repair,, 4-27
Concept, Latch, 3-69
Connector, Fem, 02cav, Mp280 Sealed, 4-27
Connector, Fuel, E90, Qf, 2-83
Connector, Fuel, Qf, 2-83, 2-85
Contact Kit, W/ Brush [En], 2-17
Control Box Assy Kit, Replmt, Telem [CAN], 3-57
Control Box Assy Kit, Replmt, Telem [USA], 3-57
Controller Kit, Replmt [Ec-H20], 4-29
Converter, Ele, 12-36 Vdc, 3-37
Cooler, Hyd, 25gpm 325btu Of12 13x12x2, 2-171
Coupler, Pump, 4-7
Coupling, Drive, 13t, 2-23
Coupling, Flywheel [Mit20/24m], 6-18
Coupling, Nozzle, Spray, 3-63
Cover, 6-5
Cover Assy, Front, Upper [T-Belt], 6-7
Cover Assy, Rocker, 6-4
Cover Kit, Soltn Tank, Rh [M20 & T20], 2-135
Cover Kit, Switch, Float, Repair, 2-143
Cover Kit, Tank, Soltn, Lh, Replmt, 2-136
Cover Kit, Tank, Soltn, Lh, Replmt, Ce (Japan and CE Only), 2-136
Cover Kit, Tank, Soltn, Rh, Replmt, Ce (Japan and CE Only), 2-135
Cover Wldt [FaST], 3-21
Cover Wldt, Power Supply, 3-37
Cover, Backrest, 4-31
Cover, Belt, Timing, Lower Front, 5-11
Cover, Belt, Timing, Upper Front, 5-11
Cover, Cushion, 4-31
Cover, Dust [Mit 2.0], 6-18
Cover, End, 4-7
Cover, Fuse, Block, 2-89
Cover, Hose, 2-37, 2-39
Cover, Hppr, 2-105
Cover, Hsng, Camshaft, 5-3, 5-11
Cover, Hsng, Flywheel (Replaced By 9006895), 2-23
Cover, Lower, 2-15, 2-21
Cover, Lower, Front [T-Belt], 6-7
Cover, Pump, Oil, 5-7
Cover, Rear [T-Belt], 6-7
Cover, Tank, 2-143
Cover, Tank, Recvy, Trimmed, 2-143
Cover, Tank, Soltn, Lh, Trimmed, 2-136
Cover, Tank, Soltn, Lh, Trimmed, Ce (Japan and CE Only), 2-136
Cover, Tank, Soltn, Rh, Trimmed, 2-135
Cover, Tank, Soltn, Rh, Trimmed, Ce (Japan and CE Only), 2-135
Cover, Timing, Gear [Mit 2.0/2.4], 6-9
Cover, Trimmed, 3-37
Crank Kit, Pump, F/79323, Replmt, 4-26
Crankshaft, 5-5
Crankshaft Assy, 6-10
Crossmember Wldt [M20], 2-125
Cup Holder, Rwk, 2-13
Cylinder Assy, Head, Bolt, 6-5
Cylinder, Hyd, 1.5b 07.8l 02.75strk 2500, 2-109, 2-111, 3-11
Cylinder, Hyd, 1.5b 07.8l 02.80strk 2500, 2-117, 2-121, 2-129, 2-133, 3-11
Cylinder, Hyd, 2.0B 24.1L 15.00Strk 3000, 2-101
Cylinder, Hyd, 2.0b, 15.2l, 09.00strk, 3000, 2-91
- ### D
- Detergent Pkg, 2 Liter, Sgl [665], 3-21
Detergent, Pkg, 2 Liter, Sgl [665], 3-29
Diaphragm Kit, Pump, Repair,, 4-27
Diode, Ele, Plug, 2-89
Dipstick Assy, Guage, 6-3
Dipstick, Guage, Guide, 6-3
Dipstick, Oil, 5-8
Dipstick, Rod, Guage, 6-3
Door Wldt, Brush, 2-113, 2-115
Door Wldt, Brush, Idler, 2-113, 2-115
Door Wldt, Brush, Lh, 2-133
Door Wldt, Brush, Rh, 2-129
Door Wldt, Hppr, 2-109, 2-111
Drain, Water, Joint, 6-3
Drive, 4-8
Drive [CI], 4-9
Drive, Motor, Hyd, 4-5
- ### E
- ec-H2O Kit, Flush, Replmt[M20, M30&T20], 3-39
Elbow, 6-21
Elbow, 1/8m X 1/8f, 90 [Mit], 6-15
Electrode, 5 Plate, High Flow, 4-29
Electrode, Cylindrical, 4-29
Element, Fltr, Air [Dn], 1-1, 2-41, 2-43, 2-45, 2-47, 2-71, 2-73
Element, Fltr, Air, Safety (OPTION), 2-41, 2-43, 2-45, 2-47, 2-71, 2-73
Element, Fltr, Oil, Eng, Spin-On (GM), 1-1, 2-23, 5-8
Element, Fltr, Oil, Spin-On (Mits), 1-1, 2-63, 2-65, 6-21
End Cap, 4-8
End Cap, Motor, Hyd [En], 4-9
Engine [Long Block Gm 1.6l] (See Engine Breakdown), 2-23
Engine, Block, Long [Mits 12mm] (See Engine Breakdown), 2-63, 2-65
Engine, Gas [Mitsubishi] (See Engine Breakdown), 2-63
Engine, LPG [Mitsubishi] (See Engine Breakdown), 2-65
Extinguisher Kit, Fire, Ci [M20 And T20], 3-70
Extinguisher, Fire, 2.5 Lb Dry, 3-70
- ### F
- Fan Kit, Scrub, Replmt [M20/T20], 2-147
Fan Wldt, Vac, Inlet, 2-151
Fan, Cooling, 14.1d, 6 Blade, 0.5b Taper, 2-75, 3-69
Fan, Cooling, 15.5d, 6 Blade, .5b Taper, 2-49
Fan, Cooling, 16.0d, 6 Blade, 2-49

- Fan, Cooling, Pusher, 15.5D [2007], 2-49
 FaST Kit, Ci [inj Reblid, M30/M20 III], 4-32
 FaST Kit, Ci, Injector Filters[FaST li+], 4-32
 FaST Kit, Injector [M20/T20/M30 FaST III] (See Breakdowns), 3-29
 FaST Kit, Injector [M20/T20/m30 FaST III], 4-32
 FaST Kit, Seal, injector, Ci [FaST III], 4-32
 Filter Assy, Air, 2-41, 2-43, 2-45, 2-47, 2-71, 2-73
 Filter Assy, Air, Mold, Ure, 3-21
 Filter Assy, Hyd, 10mic, 1-1, 2-173
 Filter Kit, Fuelock, Lpg, 1-1, 2-31, 2-37, 2-39, 6-29
 Filter, Foam, Rbr, 1.20d, 1.0l, 3-23, 3-25
 Filter, Fuel [Gm 1.6l/3.0l], 1-1, 2-83, 2-85
 Filter, In- Line, Pf06/Pf06 080mesh 02.6l, 3-29, 3-39
 Filter, In- Line, Pf06/Pf06, 80 Mesh, 3-19
 Filter, Panl, Syn, 4.2 X 20.0 X 30.0, 1-1, 2-105
 Filter, Screen, 50 Mesh .59d .8l Ss, 3-19
 Filter, Soltn, 020mesh, Pm12 3.2d 08.0l, 3-5
 Filter, Soltn, 20mesh, Pm12 3.1d 02.6l, 1-1, 2-136
 Fitting Assy, Orifice, 0.070b, Pf04/Pf04, 3-19
 Fitting Assy, Orifice, 0.093b, Pf04/Pf04, 3-19
 Fitting Assy, Qdc, Pf04, 3-39
 Fitting Kit [Epr], 2-37, 2-39
 Fitting Kit, Hose, Garden, 3-3
 Fitting, 1/2 Mpt X 5/8bh 90deg [Mit], 6-23
 Fitting, 1/2 X 5/8 Hose, Plastic[Mit], 6-29
 Fitting, 1/4mpt X 1/4mpt, 90deg[Mit], 6-29
 Fitting, 1/8 Mpt X 3/8 Hb [Mit], 6-15
 Fitting, 37deg [Mit], 6-7
 Fitting, Adapter, Orifice, Pf06/Pm06, 2-25, 2-27, 2-29, 2-39
 Fitting, Barb, 3/4" [Epr], 6-30
 Fitting, Brs, Breather [02mp], 2-107
 Fitting, Brs, E45, Pf02/Pm02, 2-23
 Fitting, Brs, E90, Bm06/Pm04, 2-69
 Fitting, Brs, E90, Bm08/Pm04, 3-19
 Fitting, Brs, E90, Cf03/Pf02, 3-21
 Fitting, Brs, E90, Em05/Pm04, 2-83, 2-85
 Fitting, Brs, E90, Em10/Pm06, 2-25, 2-27, 2-29, 2-32, 2-37, 2-39
 Fitting, Brs, E90, Pf04/Pm04, 2-37, 2-83, 2-87
 Fitting, Brs, E90, Pm02/Bm03, 2-107, 3-5
 Fitting, Brs, Qdc, Bm12/Qf08, 3-3
 Fitting, Brs, Qdc, Pf04, Lpg Fem, 2-87
 Fitting, Brs, Qdc, Pf08 [Parker Bh3f], 3-3
 Fitting, Brs, Snubber, Pm02/Pf02, 3-39
 Fitting, Brs, Str, Bm03/Pm02, 2-107
 Fitting, Brs, Str, Bm04/Pm02, 3-21
 Fitting, Brs, Str, Bm05/Pm04, 2-83
 Fitting, Brs, Str, Bm06/Pm02, 2-67
 Fitting, Brs, Str, Bm06/Pm05, 2-27, 2-37
 Fitting, Brs, Str, Bm06/Pm06, 2-67, 2-69
 Fitting, Brs, Str, Bm08/Pm04, 3-19
 Fitting, Brs, Str, Em10/Pm06, 2-29, 2-39
 Fitting, Brs, Str, Pf02/Pm02 [Bsp], 2-67
 Fitting, Brs, Str, Pf02/Pm04, 3-19
 Fitting, Brs, Str, Pf02/Pm06, 3-39
 Fitting, Brs, Str, Pf04/Pf04, Bh, 2-87
 Fitting, Brs, Str, Pf04/Pm02, 2-25, 2-27, 2-32, 2-37
 Fitting, Brs, Str, Pf06/Pf06 Bh, 3-63
 Fitting, Brs, Str, Pf06/Pm04, 2-29, 2-39, 2-67, 2-69
 Fitting, Brs, Str, Pf06/Pm12, 3-63
 Fitting, Brs, Str, Pm04/Pm04, 2-83, 3-19
 Fitting, Brs, Str, Pm08/Garden Hose, 3-63
 Fitting, Brs, Tee, Pf04/Pf04/Pf04, 3-19
 Fitting, Brs, Tee, Pf04/Pf04/Pm04, Run, 2-87, 3-29
 Fitting, Cap, 2-31
 Fitting, Draincock, E90, .25npt, 2-25, 2-27, 2-32, 2-37, 2-55, 2-61, 2-81
 Fitting, E, Gr, 4-3
 Fitting, E70, 2-31
 Fitting, E90, 2-31, 2-35, 6-22
 Fitting, E90, M14 X .56, 2-23
 Fitting, End, Hose, 2-23
 Fitting, Fltr, Oil, 5-8
 Fitting, Fuel [Mixer E100Lp 2010], 2-35
 Fitting, Fuel, Str, 0.38-24 [07 Eng], 2-85
 Fitting, Fuel, Str, 0.56-18 [07 Eng], 2-85
 Fitting, Grease, Str Pm04 .47l, 2-101, 2-109, 2-111, 2-117, 2-125
 Fitting, Grease, Str Pm04 .63l, 2-91
 Fitting, Hose, Vacuum, .25, 2-31
 Fitting, Hyd, Cap, Jf04, 2-171
 Fitting, Hyd, Cap, Jf08, 2-171, 3-15
 Fitting, Hyd, E45, Jf08/Jm08, 2-177
 Fitting, Hyd, E45, Jf10/Jm10, 2-159
 Fitting, Hyd, E45, Jm04/Om04, 3-15
 Fitting, Hyd, E45, Jm04/Om06, 2-91, 2-101
 Fitting, Hyd, E45, Jm06/Om04, 2-147
 Fitting, Hyd, E45, Jm06/Om06, 2-91, 2-175
 Fitting, Hyd, E45, Jm08/Om08, 2-147, 2-175, 2-177, 3-15
 Fitting, Hyd, E45, Jm08/Om10, 2-149, 2-169
 Fitting, Hyd, E45, Jm10/Om12, 2-91
 Fitting, Hyd, E45, Jm12/Om16, 2-173
 Fitting, Hyd, E45, Jm20/Om20, 2-173
 Fitting, Hyd, E90, Jf04/Jm04, 2-115, 2-175, 3-15
 Fitting, Hyd, E90, Jf06/Jm06, 3-15
 Fitting, Hyd, E90, Jf08/Jm08, 2-17, 2-171
 Fitting, Hyd, E90, Jm04/Om04, 2-109, 2-111, 2-121, 2-129, 2-133, 2-175, 2-177, 3-11
 Fitting, Hyd, E90, Jm04/Om06, 2-101
 Fitting, Hyd, E90, Jm04/Pm02, 2-173
 Fitting, Hyd, E90, Jm06/Om04, 2-117, 2-149, 2-151, 3-11
 Fitting, Hyd, E90, Jm06/Om06, 2-17, 2-175, 2-177, 3-15
 Fitting, Hyd, E90, Jm06/Om06, L, 2-175
 Fitting, Hyd, E90, Jm06/Om06, Long, 2-177
 Fitting, Hyd, E90, Jm08/Om08, 2-169
 Fitting, Hyd, E90, Jm08/Om08, 2-113, 2-115, 2-151, 2-169, 2-175, 3-15
 Fitting, Hyd, E90, Jm08/Om08, L, 2-175
 Fitting, Hyd, E90, Jm08/Om08, Long, 2-177
 Fitting, Hyd, E90, Jm08/Om10, 3-7, 3-9
 Fitting, Hyd, E90, Jm10/Om12, 2-169
 Fitting, Hyd, E90, Jm12/Om12, 2-171
 Fitting, Hyd, E90, Jm12/Om12, L, 2-171
 Fitting, Hyd, E90, Om04/Qm04, 2-175, 2-177, 3-15
 Fitting, Hyd, E90, Spcl, 2-37, 2-39
 Fitting, Hyd, Plug, Om04, 2-177, 4-11, 4-19, 4-21, 4-23
 Fitting, Hyd, Plug, Om06, 2-173, 2-177
 Fitting, Hyd, Plug, Om08, 4-7, 4-19
 Fitting, Hyd, Plug, Om10, 2-173
 Fitting, Hyd, Plug, Pm06, 2-29, 2-39
 Fitting, Hyd, Rst, Jf04/Jm04, .028, 2-101
 Fitting, Hyd, Rst, Spcl, 2-129, 2-133
 Fitting, Hyd, Str, Jf04/Qm04, 2-175, 3-15
 Fitting, Hyd, Str, Jf06/Jm04, 2-171
 Fitting, Hyd, Str, Jm04/Om04, 2-113, 2-115, 2-175, 2-177, 3-15
 Fitting, Hyd, Str, Jm04/Om06, 3-15
 Fitting, Hyd, Str, Jm06/Om04, 2-151
 Fitting, Hyd, Str, Jm06/Om06, 2-17, 2-173, 3-15, 3-17
 Fitting, Hyd, Str, Jm06/Om06, L, 2-17
 Fitting, Hyd, Str, Jm06/Om06, Long, 2-177, 3-17
 Fitting, Hyd, Str, Jm08/Om06, 2-17
 Fitting, Hyd, Str, Jm08/Om08, 2-151, 2-169, 2-173, 3-15
 Fitting, Hyd, Str, Jm08/Om10, 2-149, 3-7
 Fitting, Hyd, Str, Jm10/Om10, 2-175
 Fitting, Hyd, Str, Jm10/Om10, Long, 2-177
 Fitting, Hyd, Str, Jm10/Om12, 2-91
 Fitting, Hyd, Str, Jm20/Om16, 2-169
 Fitting, Hyd, Str, Om04/Qm04, 2-175, 3-15
 Fitting, Hyd, Str, Pf02/Pm04, 2-87
 Fitting, Hyd, Tee, Jf06/Jm06/Jm06, Run, 2-151
 Fitting, Hyd, Tee, Jf08/Jm08/Jm08, Br, 2-149
 Fitting, Hyd, Tee, Jm06/Jm06/Om06, Run, 2-175, 3-17
 Fitting, Hyd, Tee, Jm08/Jm08/Om08, Br, 2-147, 2-175, 2-177
 Fitting, Nipple, .25mal, 2-37, 2-39
 Fitting, Nipple, .25npt, Brs, 2-31
 Fitting, Nyl, Qdc, E90, Bm08/ Qm10, 3-29, 3-39
 Fitting, NylY, Qdc, E90, Bm06/ Qm10, 3-29
 Fitting, Pipe, Bshg, M18 X 1.5, 2-23
 Fitting, Pipe, E45, Spcl, 2-87
 Fitting, Pipe, E90, Pf02/Pm02, 3-21
 Fitting, Pipe, Plug, 2-23
 Fitting, Pipe, Plug, Metric, M18, Soc, 2-23, 2-51, 2-53

CROSS REFERENCE

- Fitting, Pipe, Plug, Pm02, Sq Head, 2-85
Fitting, Pipe, Plug, Pm08, Sq Head, 2-141
Fitting, Pipe, Str, Pm04/Sf04, 2-87
Fitting, Plstc, Body, Spray, Pf04, 3-19
Fitting, Plstc, Cap, Pf12 Hex, 2-141
Fitting, Plstc, Cap, Spray, Pf04, 3-19
Fitting, Plstc, E90, Bm05/Bm05, Nyl, 3-39
Fitting, Plstc, E90, Bm06/Bm06, 3-5, 4-29
Fitting, Plstc, E90, Bm06/Pm04, Nyl, 3-29
Fitting, Plstc, E90, Bm06/Pm12, Nyl, 3-3
Fitting, Plstc, E90, Bm08/Bm08, 3-39
Fitting, Plstc, E90, Bm08/Pf08s, Swivel, 3-19, 3-63
Fitting, Plstc, E90, Bm08/Pm04, 3-39
Fitting, Plstc, E90, Bm08/Pm06, 3-39, 3-63
Fitting, Plstc, E90, Bm08/Pm12, Nyl, 3-19, 3-23, 3-25, 3-29, 3-39
Fitting, Plstc, E90, Bm10/Pm08, 3-3
Fitting, Plstc, E90, Bm10/Pm12, 3-3, 3-29, 3-39
Fitting, Plstc, E90, Bm12/Pf12, 3-5
Fitting, Plstc, E90, Bm12/Pm08, 3-3
Fitting, Plstc, E90, Bm12/Pm12, 3-3, 3-5, 3-19, 3-29, 3-39
Fitting, Plstc, E90, Pf Bm [Es Pump], 4-3
Fitting, Plstc, E90, Pf12/Pm12, 2-136
Fitting, Plstc, Pf12/Pf12, Bh, 2-136, 3-3
Fitting, Plstc, Pipe, Cap, Pf04, 3-21, 3-29, 4-29
Fitting, Plstc, Rst, .50od /.13id, 3-25
Fitting, Plstc, Str, Bm04, Cplg, Fem, 3-21, 3-29
Fitting, Plstc, Str, Bm04/Bm08, 3-39
Fitting, Plstc, Str, Bm04/Pm04, 3-39
Fitting, Plstc, Str, Bm05/Pm04, 3-39
Fitting, Plstc, Str, Bm06/Bm08, 3-43
Fitting, Plstc, Str, Bm06/Pm04, 3-29, 4-29
Fitting, Plstc, Str, Bm06/Pm06, 3-29
Fitting, Plstc, Str, Bm08/Pf08s, Swivel, 3-63
Fitting, Plstc, Str, Bm08/Pm06, 3-19
Fitting, Plstc, Str, Bm08/Pm12, 3-23, 3-25
Fitting, Plstc, Str, Bm10/Bm10, 2-41, 2-45, 2-141
Fitting, Plstc, Str, Bm10/Bm12, 2-141
Fitting, Plstc, Str, Bm10/Pm12, 2-141
Fitting, Plstc, Str, Bm12/Bm12, 2-141
Fitting, Plstc, Str, Bm12/Pm08, Nyl, 3-3, 4-3
Fitting, Plstc, Str, Bm12/Pm12, 2-141
Fitting, Plstc, Str, Pf06/Qm10, Pvc, 3-39
Fitting, Plstc, Str, Pm02/Bm05, 4-29
Fitting, Plstc, Str, Pm04, Cplg, Mal, 3-21, 3-29
Fitting, Plstc, Str, Pm04/Pm06, Nyl, 3-39
Fitting, Plstc, Str, Pm08/Pm08, 3-3
Fitting, Plstc, Str, Pm12/Pm12 1.60l, 3-3, 3-19, 3-29, 3-39
Fitting, Plstc, Tee, Bm04/Bm04/Bm04, 3-29
Fitting, Plstc, Tee, Bm04/Bm08/Bm08, Br, 3-19
Fitting, Plstc, Tee, Bm06/Pm02/Bm06, 4-29
Fitting, Plstc, Tee, Bm08/Bm08/Bm08, 3-19
Fitting, Plstc, Tee, Bm08/Bm10/Bm10, Br, 3-31, 3-33, 3-41, 3-43, 3-63
Fitting, Plstc, Tee, Bm08/Bm12/Bm12, Br, 3-23, 3-25, 3-31, 3-33, 3-41, 3-43, 3-63
Fitting, Plstc, Tee, Bm10/Bm10/Bm10, 2-29, 2-39
Fitting, Plstc, Tee, Bm10/Bm10/Bm10, Nyl, 3-13
Fitting, Plstc, Tee, Bm12/Bm12/Bm12, 2-141, 3-13
Fitting, Plstc, Tee, Pf08/Pf08/Pf08, 3-3
Fitting, Plstc, Tee, Pf12/Pf12/Pf12, 3-3, 3-19, 3-29, 3-39
Fitting, Plstc, Y, Bm08/Bm08/Bm08, Nyl, 3-25, 3-29, 3-33, 3-43
Fitting, Plug, 2-23
Fitting, Plug, M16, Intake Manifold, 2-27, 2-29, 2-35
Fitting, Plug, Org, #6, Valve [Cec], 4-11, 4-13, 4-15, 4-17, 4-19, 4-21, 4-23
Fitting, Str, 2-31
Fitting, Str, .19brb X .12mpt, 2-25
Fitting, Str, 10- 10 Orb, 37fi [Mit], 6-21
Fitting, Str, E90, .25npt, 2-31
Fitting, Vacuum [M16- 15- 6h], 2-25, 2-27, 2-29, 2-35
Flange Mounting, 4-8
Flange, Motor, Hyd [En], 4-9
Flange, Sprocket, Cshft, 6-11
Flap, Battery, 2-13
Flapper, Valve, Pump, Water, 4-3
Flywheel, 5-5
Flywheel, Flatface [Mit 20/24m], 6-18
Frame Wldt, Lift, Hppr, 2-101
Frame Wldt, Main, Replmt [m20 & T20], 2-7
Frame Wldt, Screen, Rad, 3-69
Frame Wldt, Sqge, Lh, 2-131
Frame Wldt, Sqge, Rh, 2-127
Frame Wldt, Sqge, Side Brush, 3-7
Fuelline, .31d Str/Str, Plstc, 2-83, 2-85
Fuelline, .31d Str/Str, Plstc [Mit 2013], 2-85
Fuelline, .31d Str/Str, Plstc [M20/T20 07], 2-85
Fuse, 015a, 2-89
Fuse, 10 Amp, 2-238
Fuse, 15 Amp, [Min- 15], 2-238
Fuse, 20 Amp, [Min-20], 2-238
Fuse, 5 Amp, [Min-5], 2-238
Fuse, 50amp, 2-238
Fuse, 60 Amp, 2-238
- G**
- Gasket, 2-31, 6-5
Gasket Kit, Repair, Gas [Gm1.6l 2007], 2-27, 2-29
Gasket Kit, Repair, Lpg [Gm1.6l 2007], 2-35
Gasket, .25 1.88d 1.0id [Poron], 4-3
Gasket, 2.00, 07.87w 10.24l, Adh, 2-149
Gasket, 3.23id 3.63od .16th, Ure, 2-143
Gasket, 4.05id 5.29od .19 [Buna], 2-143, 4-3
Gasket, Body, Throttle [1.6l], 2-25, 2-27, 2-29
Gasket, Case, Front, 6-12
Gasket, Cover, Fuse Block, 2-89
Gasket, Cover, Hsng, Camshaft, 5-3
Gasket, Cover, Recvy Tank, 2-143
Gasket, Cover, Rocker, 6-4
Gasket, Cylinder, Head, 6-5
Gasket, Exhaust, 2hole, 3.4bc, 2-51, 2-53, 2-77
Gasket, Fing, Pipe, Exhaust, 2-51, 2-53
Gasket, Foam, .50, 14.76id 16.54od, Adh, 2-149
Gasket, Head, Cyl, 5-3
Gasket, Hppr, Transition, 2-151
Gasket, Manifold, Exh [Mit], 6-16
Gasket, Manifold, Exhaust, 5-9, 6-16
Gasket, Manifold, Intake, 2-25, 2-27, 2-29, 2-31, 5-9, 6-15
Gasket, Oil, Adapter [Mit 2.0/2.4], 6-21
Gasket, Oil, Filler, Cap, 6-4
Gasket, Outlet, 6-22
Gasket, Pan, Oil, 5-8
Gasket, Plt, Hose, Vacuum, 2-147
Gasket, Plug, Drain, Oil, 6-7
Gasket, Plug, Relief Valve, Oil Press, 2-23, 5-7
Gasket, Pump, Oil, 5-7
Gasket, Pump, Water, 6-13
Gasket, Screen, 6-7
Gasket, Sender, Fuel, 2-85
Gasket, Sqge, 1-1, 2-123
Gasket, Throttle [Mit 40mm], 6-27, 6-28
Gasket, Tube [Pcv], 5-3
Gasket, Water Supply [Mit 2.0/2.4l], 6-23
Gasspring, 180lb, 03.0strk, 2-15
Gauge, Sensing, Level, 2-173
Gear, Drive, Oil Pump, 5-7
Gear, Ring, Drive, Oil Pump, 5-7
Gear, Ring, Starter, 5-5
Geroler, Motor, Hyd, 4-5
Gerotor Set, 4-8
Gerotor Set [Ci], 4-9
Grill Wldt, Front, 2-19
Grill, Eng, 2-21
Grill, Side, 2-15
Grip, Handle, 2-139, 2-145
Grommet, Blind, 4-29
Grommet, Pye, 0.37id, F/1.5h, .13 Matl, 3-5
Grommet, Rbr, 0.20id, F/0.4h, .12 Matl, 2-25, 2-31
Grommet, Rbr, 0.38id, F/0.5H, .12 Matl, 3-57
Grommet, Rbr, 0.50id, F/0.8h, .12 Matl, 3-52, 3-53

Grommet, Rbr, 0.62id, F/0.9h, .06 Matl, 2-107, 3-37
 Grommet, Rbr, 0.62id, F/0.9h, .12 Matl, 3-5
 Grommet, Rbr, 1.06id, F/1.4h, .19 Matl, 2-107
 Grommet, Rbr, 1.50id, F/1.8h, .19 Matl, 2-107
 Grommet, Rbr, 2.13id, F/2.5h, .12 Matl, 3-19, 3-29, 3-39
 Guard Kit, Sqge, Ci [M20], 3-67
 Guard Wldt, Sqge, 3-67
 Guard Wldt, Brush, Side, 3-13
 Guard Wldt, Pntd [M20/T20], 3-67
 Guard Wldt, Sqge [M20/T20 Lh, M30 Rh], 3-67
 Guard Wldt, Sqge [M20/T20 Rh, M30 Lh], 3-67
 Guard Wldt, Sqge [M20/T20/M30], 3-67
 Guard Wldt, Top, Ohg, 3-55
 Guard, Fan, Side, 2-75

H

Handle Wldt, Drain, 2-143
 Handle, Valve, Pinch, Lh, 2-145
 Handle, Valve, Pinch, Rh, 2-139
 Hanger, Engine, 6-15
 Harness [FaST, M20 And T20], 3-27
 Harness, Eng [1.6l, Gm, E- cntrl], 2-238
 Harness, Headlight [M20 And T20], 2-230
 Harness, Hppr [M20], 2-233
 Harness, Hppr [M20/M30], 2-233
 Harness, Hppr, Cover [M20], 2-235
 Harness, Injector, Gas [1.6l, Gm, E- cntrl], 2-238
 Harness, Injector, Lpg [1.6l, Gm, E- cntrl], 2-238
 Harness, Jumper [Deutsch To Mpack], 4-17, 4-23
 Harness, Main [M20], 2-229
 Harness, Manifold, Gas, 2-85
 Harness, Spray, Nozzle, 3-63
 Harness, Warning / Backup [M20 & T20], 3-47, 3-49, 3-51
 Harness, Warning / Ohg [M20], 3-52, 3-53
 Harness, Wire [Ec- H2o, Mako, 2.0l & Dsl], 3-46
 Harness, Wire [Ec- H2o], 3-46
 Harness, Wire [FaST Gen 2], 3-35
 Harness, Wire, Eng, Gas [Mit, 2.0L], 2-238
 Harness, Wire, Eng, Gas [Gm 1.6L 10], 2-238
 Harness, Wire, Eng, Gas [Gm 1.6L], 2-238
 Harness, Wire, Eng, Gas [Mit, 2.0l], 6-25
 Harness, Wire, Eng, Lpg [Gm 1.6L 10], 2-238
 Harness, Wire, Eng, Lpg [Gm 1.6l], 2-238
 Harness, Wire, Eng, Lpg [Mit, 2.0l], 6-25
 Harness, Wire, Eng, Lpg [Mit, 2.0L], 2-238
 Harness, Wire, Gas/Lpg [Eng Adapt], 2-239

Harness, Wire, Gas/Lpg [Telemetry], 3-58
 Head Assy, Cylinder, 6-5
 Head Kit, Cyl [Mitsubishi 2015 12mm], 6-5
 Head, Cyl, 5-3
 Headlight, 12vdc, 27watt, 2.1a, Oval (Rpl by 1060942), 2-7
 Headlight, 12Vdc, Oval, Halogen, 2-7
 Hinge Kit, Cover, Tank, Recvy, Replmt, 2-143
 Hinge Wldt, Shrd, Lh, 2-21
 Hinge Wldt, Shrd, Rh, 2-15
 Hinge, .38pin .11 3.5w 06.0l 6/0.38sl, 2-19
 Hinge, .50pin .19 4.0w 06.0l 3/0.44sl, 2-129, 2-133
 Hopper, Debris, Rm- Hg, Trimmed, 2-103
 Horn, 12vdc, Dba [Wolo], 2-89
 Hose [Epr To Manifold], 2-37, 2-39
 Hose [Mixer To Epr], 2-37
 Hose [Pcv], 5-3
 Hose Assy, Sqge, 2-143
 Hose Assy, Upper, Tap [Mit], 6-29
 Hose Assy, W/1cuff, 1.0d 09l 1.0/, 2-103
 Hose Assy, W/2cuff, 1.5d 084l [Vacwand], 3-61
 Hose Assy, W/2cuff, 1.5d 84l [Vacwand], 3-59
 Hose Kit, Coolant, Replmt [Mitsubishi], 2-81
 Hose Kit, Hyd, Propel, Ci [M20/T20], 2-159
 Hose, 170mm [Ftv- Ptv], 2-31
 Hose, 355mm [Fl- Vrp], 2-31
 Hose, 9.5mm X 290mm [Pcv], 2-31
 Hose, 9.5mm X 450mm [Pcv], 2-25
 Hose, 90x90, Filter, Oil, Remote[Mit], 6-21
 Hose, 90xstr, Filter, Oil, Remote[Mit], 6-21
 Hose, Afmkt, Coolant Recvy, 05ft, 2-55, 2-61, 2-81
 Hose, Afmkt, Pvc, Brd 0.38id 02ft, 3-5
 Hose, Afmkt, Pvc, Brd 0.50id 02ft, 3-23
 Hose, Afmkt, Pvc, Brd 0.50id 03ft, 3-19
 Hose, Afmkt, Pvc, Brd 0.50id 08ft, 3-19, 3-25
 Hose, Afmkt, Pvc, Brd 0.62id 08ft, 3-13
 Hose, Afmkt, Pvc, Brd 0.62id, 01Ft, Clr, 3-5
 Hose, Afmkt, Pvc, Brd 0.75id 01ft, 3-5
 Hose, Afmkt, Pvc, Brd 0.75id 08ft, 2-141, 3-3, 3-13
 Hose, Afmkt, PVC, Brd, 0.31ld, 03Ft, Clr, 3-39, 4-29
 Hose, Afmkt, Pvc, Brd, 0.38id, 01ft, Clr, 4-29
 Hose, Afmkt, Pvc, Brd, 0.38id, 02ft, Clr, 3-43, 4-29
 Hose, Afmkt, Pvc, Brd, 0.38id, 03ft, Clr, 3-29
 Hose, Afmkt, Pvc, Brd, 0.50ld, 01Ft, Clr, 3-29, 3-39
 Hose, Afmkt, Pvc, Brd, 0.50id, 03ft, Clr, 3-33
 Hose, Afmkt, Pvc, Brd, 0.50id, 08ft, Clr, 3-31, 3-33, 3-43

Hose, Afmkt, Pvc, Brd, 0.50id, 12ft, Clr, 3-39, 3-41
 Hose, Afmkt, Pvc, Brd, 0.62id, 01ft, Clr, 2-141
 Hose, Afmkt, Pvc, Brd, 0.62id, 03ft, Clr, 3-33, 3-43
 Hose, Afmkt, Pvc, Brd, 0.62id, 08ft, Clr, 2-141, 3-31, 3-41
 Hose, Afmkt, Pvc, Brd, 0.75id, 08ft, Clr, 3-31, 3-41, 3-63
 Hose, Afmkt, Pvc, Clr 0.25id 03ft, 3-21
 Hose, Afmkt, Pvc, Clr 0.50id 08ft, 3-25
 Hose, Afmkt, Pvc, Clr, 0.25id, 02ft, 3-29
 Hose, Afmkt, Pvc, Clr, 0.25id, 03ft, 3-39
 Hose, Afmkt, Pvc, Clr, 0.38id, 01ft, 3-29
 Hose, Afmkt, Pvc, Clr, 0.38id, 03ft, 3-29
 Hose, Afmkt, Pvc, Clr, 0.50id, 08ft, 3-33
 Hose, Afmkt, Pvc, Wir, 0.50id, 03ft, Clr, 3-29
 Hose, Afmkt, Rbr, Heater, 0.38id, 03ft, 2-67, 2-69
 Hose, Afmkt, Rbr, Heater, 0.62id, 02ft, 2-29
 Hose, Afmkt, Rbr, Heater, 0.62id, 08ft, 2-39
 Hose, Afmkt, Vacuum, 0.16id, 01ft, 3-5
 Hose, Afmkt, Vacuum, 0.16id, 03ft, 2-107
 Hose, Balancing, Press, 045mm, 2-31
 Hose, Balancing, Press, 680mm, 2-31
 Hose, Coolant, Mold, 1.25id To 1.62id, 2-61
 Hose, Coolant, Molded [Mit 20/24m], 6-29
 Hose, Coolant, Upper, Mold [Mit 2013], 2-81
 Hose, Drain, 3.00id X 48.0l, 2-139, 2-145
 Hose, Drain, Eng Oil, 2-23
 Hose, Drain, Oil [Mit 20/24m], 6-7
 Hose, Drain, Overflow, Radiator [1pick=1ft], 2-71, 2-73
 Hose, Flex, 4.00d, 24.0l, 2-147
 Hose, Flex, Vacuum, 3.5d 32.0l, 2-151
 Hose, Fuel [Mixer To Epr, 22.5”L], 2-39
 Hose, Fuel, 0.31id [Evap Emission 07], 2-85
 Hose, Fuel, .19, 2-25
 Hose, Fuel, .38d, Rbr [16”L], 6-15
 Hose, Fuel, 0.18id, 29.0l, 2-61, 2-81
 Hose, Fuel, 0.31id 12.0l, 2-83
 Hose, Fuel, 0.31id 24.0l, 2-83
 Hose, Fuel, 0.50id 21.0l, 2-83
 Hose, Fuel, 0.50id, 21.0l, 2-85
 Hose, Fuel, Molded [Mit 20/24m], 6-29
 Hose, Heater, 2-25, 2-27
 Hose, Heater, 0.38id, 2-27, 2-37
 Hose, Heater, 0.62id, 024.0l, 2-29
 Hose, Heater, 0.62id, 038.0l, 2-39
 Hose, Heater, E90, 0.62id 07.0 2.0, 2-41, 2-45
 Hose, Heater, E90, 0.62id, 24.0 4.0, 3-33, 3-43
 Hose, Hyd, 26.0l, 2-23
 Hose, Hyd, Med04, Jf04e90/Jf04str, 016.0, 2-165

CROSS REFERENCE

Hose, Hyd, Med06, Jf06e90/Jf06str, 042.0, 2-161	Hose, Hyd, Tc04, Jf04str/Jf04str, 096.0, 2-165	Hose, Hyd, Tco4, Jf04Str/Qm06, 028.0, 2-167
Hose, Hyd, Med06, Jf06e90/Jf06str,038.0, 3-17	Hose, Hyd, Tc06, Jf06e90/Jf06str, 040.0, 2-159	Hose, Hyd,Med04, Jf04str/Jf04str, 066.0, 2-159
Hose, Hyd, Med06, Jf06str/Jf06str, 018.0, 2-161	Hose, Hyd, Tc06, Jf06e90/Jf06str, 104.0, 2-159	Hose, Hyd,Tc 04, Jf04str /Jf04e45 , 35.0, 2-167
Hose, Hyd, Med06, Jf06str/Jf06str, 022.0, 2-161, 2-163	Hose, Hyd, Tc06, Jf06str /Jf06e45, 54.0, 2-165	Hose, Intake, Mold [Epdm Mit 2013], 2-71, 2-73
Hose, Hyd, Med06, Jf06Str/Jf06Str, 042.0, 2-161, 2-163	Hose, Hyd, Tc06, Jf06str /Jf06e90, 74.0, 3-17	Hose, Intake, Mold, 2.00id [Epdm], 2-41, 2-43, 2-45, 2-47, 2-71, 2-73
Hose, Hyd, Med08, Jf08e45/Jf08str, 029.0, 2-165	Hose, Hyd, Tc06, Jf06str /Jf06str, 23.0, 3-17	Hose, Intake, Mold, 2.00id, Gas [Epdm], 2-41
Hose, Hyd, Med08, Jf08e90/Jf08str, 031.0, 2-161	Hose, Hyd, Tc06, Jf06str/Jf06str, 033.0, 3-17	Hose, Intake, Mold, 2.00id, Lpg [Epdm], 2-45
Hose, Hyd, Med08, Jf08str /Jf08e45, 21.0, 2-161, 2-163	Hose, Hyd, Tc06, Jf06str/Jf06str, 054.0, 2-165	Hose, Intake, Mold, 2.0id [Epdm M20/T20], 2-43, 2-47
Hose, Hyd, Med08, Jf08str/Jf08str, 022.0, 2-165	Hose, Hyd, Tc06, Jf06Str/Jf06Str, 062.0, 3-17	Hose, Intake, Mold, 2.0id, Gas, 2-43
Hose, Hyd, Med10, Jf10str/Jf10str, 41.0, 2-161	Hose, Hyd, Tc06, Jf06str/Jf06str, 086.0, 3-17	Hose, Intake, Mold, 2.0id, Lpg, 2-47
Hose, Hyd, Med10, Jf10Str/Jf10Str, 036.0, 2-161, 2-163	Hose, Hyd, Tc08, Jf08e45/Jf08str, 018.0, 2-165	Hose, Intake, Mold, 2.0id, Lpg [Gm 2010], 2-47
Hose, Hyd, Med12, Jf12e90/Jf12str, 50.0, 2-161	Hose, Hyd, Tc08, Jf08E45/Jf08Str, 026.0, 2-161, 2-163	Hose, Intake, Mold, Gas [Epdm Mit 2013], 2-71
Hose, Hyd, Med12, Jf12e90/Jf12str, 029.0, 2-161, 2-163	Hose, Hyd, Tc08, Jf08e45/Jf08str, 26.0, 2-161	Hose, Intake, Mold, Lpg [Epdm Mit2013], 2-73
Hose, Hyd, Med12, Jf12str/Jf12str, 052.0, 2-161	Hose, Hyd, Tc08, Jf08e45/Jf08str, 96.0, 2-159	Hose, Lpg, Med05, Pm04str/Sm04str, 14.0l, 2-87
Hose, Hyd, Med12, Jf12str/Jf12str, 066.0, 2-161, 2-163	Hose, Hyd, Tc08, Jf08e90/Jf08str, 024.0, 2-161	Hose, Lpg, Med05, Pm04str/Sm04str, 55.0l, 2-87
Hose, Hyd, Spcl, Jf04str/Jf04str, 115.0, 2-165	Hose, Hyd, Tc08, Jf08E90/Jf08Str, 029.0, 2-161	Hose, Mold, .62 To .75, 2-31
Hose, Hyd, Spcl, Jf04str/Jf04str, 121.0, 2-165, 2-167	Hose, Hyd, Tc08, Jf08e90/Jf08str, 034.0, 3-17	Hose, Mold, .62 To .75 (Cut in 2), 2-37
Hose, Hyd, Spcl, Jf04str/Jf04str, 127.0, 2-165	Hose, Hyd, Tc08, Jf08e90/Jf08str, 046.0, 2-161, 2-163	Hose, Pvc, Brd, 0.62id 0.88od 09.00l, 3-3
Hose, Hyd, Spcl, Jf04str/Jf04str, 133.0, 2-165	Hose, Hyd, Tc08, Jf08e90/Jf08str, 056.0, 3-17	Hose, Pvc, Clr, 0.38id 0.56od 22.00l, 2-25, 2-32, 2-55
Hose, Hyd, Spcl, Jf04str/Jf06str, 125.0, 2-167	Hose, Hyd, Tc08, Jf08e90/Jf08str, 13.0, 2-165	Hose, Pvc, Clr, 0.38id 0.56od 48.00l, 3-3, 3-5
Hose, Hyd, Spcl, Jf10e90/Jf10str, 63.0, 2-159	Hose, Hyd, Tc08, Jf08str/Jf08e90, 012.0, 3-15	Hose, Pvc, Clr, 0.38id 0.56od 022.0l, 2-27, 2-37, 2-61, 2-81
Hose, Hyd, Spcl, Jf10str/Jf10str, 56.5, 2-159	Hose, Hyd, Tc08, Jf08str/Jf08e90, 031.0, 2-161, 2-163	Hose, Pvc, Clr, 0.50id 0.69od 26.00l, 3-13
Hose, Hyd, Suc20, Jf20str /Jf20e90, 29.0, 2-161, 2-163	Hose, Hyd, Tc08, Jf08Str/Jf08Str, 021.0, 2-161, 2-163	Hose, Pvc, Clr, 0.50id 0.69od 30.00l, 2-89
Hose, Hyd, Tc 06, Jf06str /Jf06e45, 56.0, 2-165	Hose, Hyd, Tc08, Jf08str/Jf08str, 024.0, 2-161	Hose, Radiator, Lower, Mold, 2-55, 2-61
Hose, Hyd, Tc04, Jf04e45/Qm06, 026.0, 2-167	Hose, Hyd, Tc08, Jf08str/Jf08str, 031.0, 2-161, 2-163	Hose, Radiator, Mold, .75ld X .62ld (Cut in two), 2-29
Hose, Hyd, Tc04, Jf04e45/Qm06, 028.0, 2-167	Hose, Hyd, Tc08, Jf08str/Jf08str, 034.0, 3-17	Hose, Radiator, Upper, Mold, 2-55
Hose, Hyd, Tc04, Jf04e90/Jf04str, 020.0, 2-165	Hose, Hyd, Tc08, Jf08str/Jf08str, 056.0, 3-17	Hose, Rbr, 2.00id 2.50od 05.0l, 2-41, 2-45
Hose, Hyd, Tc04, Jf04str /Jf04e90, 70.0, 2-165	Hose, Hyd, Tc08, Jf08str/Jf08str, 084.0, 3-17	Hose, Rbr, E90 1.25id 1.25id 04.2 03.1, 2-55
Hose, Hyd, Tc04, Jf04str /Jf04e90, 88.0, 2-165	Hose, Hyd, Tc08, Jf08str/Jf08str, 21.0, 2-161	Hose, Rbr, E90, 1.25id 1.25id 04.2 03.1, 2-61, 2-81
Hose, Hyd, Tc04, Jf04str /Jf04str, 20.0, 3-17	Hose, Hyd, Tc08, Jf08str/Jf08str, 48.0, 2-165	Hose, Supply, Gas, .25id, 2-37, 2-39
Hose, Hyd, Tc04, Jf04str /Jf04str, 39.0, 3-17	Hose, Hyd, Tc12, Jf12e90/Jf12str, 044.0, 2-161	Hose, Vacuum, 0.22id X 15.0l, 2-27, 2-29, 2-35

Housing Wldt, Vacfan, Front [528], 2-147
 Housing, Bottom, 4-29
 Housing, Brg, Motor, Hyd, 4-5
 Housing, Camshaft, 5-3, 5-11
 Housing, Cplg, Qf / Pm08, 3-39
 Housing, Fan, Radial Discharge, Sq Inlet, 2-149
 Housing, Flywheel [Mit 2.0], 6-18
 Housing, Motor, Hyd [En], 4-9
 Housing, Pump, 2-23
 Housing, Sppt, Front Wheel, 2-91
 Housing, T-Stat, 2 Holes [Mit], 6-22
 Housing, Thermostat, 6-22
 Housing, Throttle, 40mm [Bosch], 2-25, 2-27, 2-29, 2-31, 2-35
 Housing, Valve, 4-5
 Housingl, 4-8
 Hsg & Switch Kit, Pump, Repair,, 4-27
 Hub Assy, Wheel, 5 Bolt 4.50bc Taper B, 2-91
 Hub, Drive, Brush, Disk, 1.00b [6t], 3-7, 3-9
 Hub, Drive, Brush, Disk, 3hole 5.8bc, 2-5
 Hub, Drive, Brush, Disk, 3hole 5.8bc[6t], 2-5

I

Idler Assy, Brush, Replmt [M20/T20, M30], 2-113, 2-115
 Impeller, 11.81d X 0.500b, 2-149
 Impeller, 9.00d X 1.40w X 0.376b, 2-151
 Impeller, 9.5d, 18 Bl, 2-147
 Indicator, Press, 60psi, 2-173
 Injector Kit, Fuel, Gas, 2-25
 Insert, :Lrg [Venturi, FaST III], 4-32
 Insert, Cap, Mount, Es Pump, 4-3
 Insert, Cplg, Qm, Bm08, 3-39
 Insert, Plt, Cam, Pump, Hyd, 4-7
 Instr, Maint, Wall Chart [M20], 3-71
 Instr, Motor, Hyd, Repair [En], 4-9
 Instr, Repair, Motor, Hyd, Gear, 4-5
 Instr, Repair, Pump, 4-7
 Instr, Seal Kit, Motor, 4-10
 Instr, Valve, Steering, Repair, 4-25
 Instr. Repair Info, Motor, 4-8
 Insulation, 3-55
 Insulation, Acstc, Rnd, 0.8, 02.5d 0.5h, 2-17
 Insulation, Flame-Retardant, 0.5, 2-21, 2-83, 2-85
 Insulation, Flame-Retardant, 0.50, 2-147
 Insulation, Flame-retardant, 0.75-0.88, 2-11, 2-15, 2-147
 Insulation, Flame-Retardant, 1.0, 2-15
 Insulation, Shrd, Eng, Gusset, 2-21
 Insulation, Thermal, Hydraulic Blanket, 2-173
 Isolator, 6-25, 6-29
 Isolator [Epr], 2-37, 2-39
 Isolator, Box, Relay, 2-27, 2-29, 2-35, 2-67, 2-69
 Isolator, Mtg, Vaporizer, Rbr, 2-31

Isolator, Rbr, 2-51, 2-53, 2-77
 Isolator, Vib, .50d, 2-23, 2-63, 2-65
 Isolator, Vib, Bshg, 1.1d 0.6l .4b 0.78h, 2-55, 2-59, 2-79, 2-147, 2-149, 2-151

K

Key, 6-10
 Key-Wdruff 0.25 1.00, 4-8
 Key, Ignition [Set Of 2], 1-1, 2-13
 Key, Motor, Hyd, 4-5
 Key, Shaft, Pump, Hyd, 4-7
 Key, Sq, 0.12 X 0.12, 0.50l, 2-49, 2-75
 Key, Sq, 0.12 X 0.12, 0.75l, 4-10
 Key, Sq, 0.12 X 0.12, 1.00l (Included With Motor), 2-147
 Key, Sq, 0.25 X 0.25, 1.25l, 2-113, 2-115
 Key, Valve Stem, 5-3
 Key, Woodruff, 0.25 1.00 [Asa#0808], 4-9
 Keychain, Rectangle, Parts & Service, 2-13
 Kit, Bellows, Pump, Detgt, 4-26
 Kit, Brush, Motor, Ele, 4-3
 Kit, Seal, Motor, Hyd, 4-5
 Kit, Seal, Motor, Hyd, Gear[Barns], 2-147, 4-10
 Kit, Seal, Valve, Hyd [Cec], 4-10
 Kit, Valve, Check, Pump, Water, 4-3
 Knob Assy, Star, 1.12d 3ear M10, 2-125
 Knob, Star, 2.80d 4ear 1.1l .31- 18 Pyp, 2-123
 Knob, Tee, 2.5x1.0 1.1l 0.38- 16 Plstc, 2-17
 Knobs, Adjmt, Weight, 4-31

L

Label [User, Attention, ec-H2O], 2-241
 Label Kit, Panel, Replmt [M20], 2-13
 Label Kit, Panel, Replmt [M20/M30 ec-H2O only], 2-13
 Label Set, Brush Indicator & Removal, 2-241
 Label Set, Hi Temp, 2-241
 Label Set, Info/Hzrd, Swpr / Scrbr, 2-241
 Label Set, Info/Hzrd, Swpr / Scrbr, Tj (Japan Only), 2-241
 Label, Caution [Apply Parking Brake], 2-241
 Label, Caution [Apply Parking Brake] (Japan Only), 2-241
 Label, Logo, 05.75L 2Color [ES], 2-241
 Label, Logo, 07.95L 2Color [FaST], 2-241
 Label, Logo, 12.3L 4Color [ec-H2O], 2-241
 Label, Logo, 16.9L 4Color [ec-H2O], 2-241
 Label, Model, 2Color [M20], 2-241
 Label, Opertnl, Telem [Fcc/lc], 3-57
 Label, Switch, Rocker [M20/M30], 2-13
 Lamp Strobe, Amb [12-48 Vdc], 3-51, 3-53
 Lamp, 12vdc [Speaker], 2-7
 Lamp, Bulb, Flsh, 3-49, 3-52
 Lamp, Bulb, Strobe, 3-51, 3-53

Lamp, Flasher, Amb [12-48 Vdc], 3-49, 3-52
 Lamp, Halogen [Speaker], 2-7
 Latch, 2-15, 2-55, 2-105, 2-107, 2-113, 2-115, 2-135, 2-136, 3-65
 Latch Assy, Mtg, Tank, Lpg, W/Nut, 2-87
 Latch Kit, Cover, Soltn, Replmt[M20/T20], 2-135, 2-136
 Latch, Cover, 2-136
 Latch, Door [Southco 91-562-07], 2-21, 2-127, 2-131
 Latch, Hook, 2-129, 2-133
 Lens, Blue, Option, F/ Strobe / Flsh Light, 3-49, 3-51, 3-52, 3-53
 Lens, Lamp, Amb, Strobe/Flasher, 3-49, 3-51, 3-52, 3-53
 Lens, Red, Option, F/ Strobe / Flsh Light, 3-49, 3-51, 3-52, 3-53
 Light Kit, Flsh, Ci [M20 And T20], 3-49
 Light Kit, Flsh, W/Ohg, Ci[M20 And T20], 3-52
 Light Kit, Strobe, Ci [M20 And T20], 3-51
 Light Kit, Strobe, W/Ohg, Ci [M20 And T20], 3-53
 Light, Led, .312D, 2 Volt [Tri-Color] (ec-H2O only), 2-13
 Light, Panl, 14vdc, , 1.1 X 1.0, 2-13
 Light, Tail, 12vdc, 2-107
 Link Assy, Rod-End, M12, 2-121
 Lock-Off, 12v, Lpg [Mit], 6-29
 Lock, Secondary, 2cav, Mp280 Sealed, 4-27
 Loom, Convoluted, Split 5/8 [Mit], 6-15

M

Magnet, Drive Brush, 2-87
 Maint Kit, 400hr [M20/T20/M30 Lpg 2010], 1-1
 Maint Kit, 800hr [M20/T20/M30 Lpg 2010], 1-1
 Maint Kit, Gas, 400hr[M20/T20], 1-1
 Maint Kit, Gas, 800hr[M20/T20], 1-1
 Maint Kit, Lpg, 400hr[M20/T20], 1-1
 Maint Kit, Lpg, 800hr[M20/T20], 1-1
 Manifold, Bar, Spray, 37.5inch, 2-141
 Manifold, Exhaust, 5-9
 Manifold, Exhaust [Mit 2.0/2.4], 6-16
 Manifold, Gas, Relief, Valve, 2-85
 Manifold, Intake [1.6], 2-25, 2-27, 2-29, 2-31, 2-35
 Manifold, Intake [Mit 20/24m Tilt], 6-15
 Manifold, Water, 3-39
 Manual, Eng, Cd- Rom [Tier li,Gm1.6], 3-71
 Manual, Oprtr [M20 Gas/Lpg En], 3-71
 Manual, Oprtr [M20 Gas/Lpg, Es, Na], 3-71
 Manual, Oprtr [M20 Gas/Lpg, Fr, Na], 3-71
 Manual, Parts [M20 Gas/Lpg En], 3-71
 Manual, Service [M20 En], 3-71
 Manual, Service, Cd- Rom [Mit2.0], 3-71
 Manual, Service, Eng [Gm1.6], 3-71

CROSS REFERENCE

Manual, Service, Eng[Gm1.6l Em Cert], 3-71
Mat, Floor, 2-9
Media, Cd-Rom, Training [ec-H2O Tennant], 3-71
Mirror, Convex, 0.50D, 3-55
Mixer, Lpg, 2-35, 6-30
Mixer, Lpg [Gm 1.6l], 2-31
Mixer, W/70deg Ftg, 2-35
Module Kit, Replmt [Ec-H20], 4-29
Module Kit, Replmt [Ec-H20] (See Breakdowns), 3-37
Module, Ecu, Gas [Gm 1.6l], 2-25
Module, Ecu, Gas [Gm1.6l 2010], 2-29
Module, Ecu, Gas [Gm1.6l 2700], 2-27
Module, Ecu, Gas [Mit 2.0l 2013], 6-25
Module, Ecu, Lpg [Gm 1.6l], 2-31
Module, Ecu, Lpg [Gm1.6l 2010], 2-35
Module, Ecu, Lpg [Gm1.6l 2700], 2-35
Module, Ecu, Lpg [Mit 2.0l 2013], 6-25
Molding, Afmkt, Trim, Pvc, .08 .11, 01Ft, 3-37
Molding, Afmkt, Trim, Pvc, .08 .11, 1ft, 2-9
Molding, Trim, Pvc, .08-.11 06.8l, 2-79
Molding, Trim, Pvc, .08-.11 13.2l, 2-85
Molding, Trim, Pvc, .18-.31 07.5l, 2-107
Motor Kit, Pump, Repair, 4-27
Motor Kit, Replmt [M20&T20], 2-147
Motor, Ele [12vdc, Shaker], 2-105
Motor, Ele 12Vdc, Shkr, 2-105
Motor, Ele, 12vdc, Pump, Water, 4-3
Motor, Ele, Gear, 14vdc, Pump, Detgt, 4-26
Motor, Hyd Gear In 4.5 B 1500, 4-8
Motor, Hyd, Gear, [Ex] .194 R 3000 (See Breakdowns), 2-151
Motor, Hyd, Gear, [Int], 19.0 X 3000, 4-5
Motor, Hyd, Gear, Ext 0.17 Lh 3000, 2-149, 2-151
Motor, Hyd, Gear, Ext 0.19 Rh 3000, 4-10
Motor, Hyd, Gear, Int 04.5 Bi-Dir 1500, 2-113, 2-115
Motor, Hyd, Gear, Int 04.5 Bi-Dir 1500 (See Breakdowns), 2-113, 2-115
Motor, Hyd, Gear, Int 08.9 Bi-Dir 2500, 3-9, 4-9
Motor, Hyd, Gear, Int 08.9 Bi-Dir 2500 (See Breakdowns), 3-7, 3-9
Motor, Hyd, Gear, Int 19.0 Bi-Dir 3000 (See Breakdowns), 2-91
Mount Wldt, Eng, Gas/Lpg, 2-23
Mount Wldt, Valve, Pinch, Lh, 2-145
Mount Wldt, Valve, Pinch, Rh, 2-139
Mount, Fltr, Remote, 6-21
Muffler, Catalytic [Gm 1.6l], 2-51
Muffler, Catalytic [Gm 1.6l 2007], 2-53
Muffler, Catalytic [Gm 1.6l 2010], 2-53
Muffler, Catalytic [Mit 2.0l 2013], 2-77
Muffler, Short [Non-Catalytic Gm1.6/3.0], 2-51
Muffler, Vacfan, 4.0id, 2-151

N

Nipple, Hose, 3-63
Nozzle, 3-63
Nozzle Kit, Spray, Ci, 3-63
Nozzle, Spray, Gun, 3-63
Nozzle, Wand, Plstc, 14.0l, 3-61
Nozzle, Wand, Plstc, 14.0lg, 3-59
Nut, 6-9, 6-10
Nut-Hxslot .75-16 Pltd, 4-8
Nut, Adj, Mtg, Tank, Lpg, 2-87
Nut, Coil, F/#8, 4-11, 4-13, 4-15, 4-17, 4-19, 4-21, 4-23
Nut, Coil, Nyl Patch, 4-15, 4-17, 4-21, 4-23
Nut, Flange, 6-13
Nut, Flng, M05-0.8, 2-35, 6-30
Nut, Flng, M8, 6-15, 6-16, 6-19, 6-21, 6-22
Nut, Ftg, Hyd, 0.56-18, 2-171
Nut, Hex, Flng, M5 X 0.8, 2-101
Nut, Hex, Flng, M6 X 1.00, 2-59, 2-75, 2-79
Nut, Hex, Flng, M8 X 1.25, 2-37, 2-39, 2-127, 2-131, 2-171
Nut, Hex, Jam, .31-24, 2-95
Nut, Hex, Jam, .50-20, 2-117, 3-11
Nut, Hex, Jam, .50-20, Lh, 2-117
Nut, Hex, Jam, M10 X 1.5, Ss, 2-49, 2-87
Nut, Hex, Jam, M20 X 1.5, 2-17
Nut, Hex, Lock, .25-20, NI, 2-83, 2-85, 2-147, 2-151
Nut, Hex, Lock, .25-20, NI, Ss, 2-97, 2-99
Nut, Hex, Lock, .31-18, NI, 2-15, 2-49
Nut, Hex, Lock, .31-18, NI, Thin, 2-15
Nut, Hex, Lock, .31-24, NI, Thin, 2-151
Nut, Hex, Lock, .38-16, NI, Ss, 2-87, 3-11
Nut, Hex, Lock, .38-16, NI, Thin, 2-87, 2-99, 2-147, 2-151
Nut, Hex, Lock, .50-13, NI, Ss, 2-125
Nut, Hex, Lock, .50-13, NI, Thin, 2-117
Nut, Hex, Lock, .50-20, NI, Thin, 2-117
Nut, Hex, Lock, .75-10, NI, 2-91
Nut, Hex, Lock, #08-32, NI, 2-13
Nut, Hex, Lock, M10 X 1.5, NI, 2-55, 2-59, 2-79, 2-87, 2-151, 2-171, 3-55, 3-67
Nut, Hex, Lock, M10 X 1.5, NI, Ss, 2-103, 2-111, 2-121, 2-125
Nut, Hex, Lock, M12 X 1.75, NI, Ss, 2-117, 2-121
Nut, Hex, Lock, M12 X 1.75, NI, 2-23, 2-63, 2-65, 2-93
Nut, Hex, Lock, M4 X 0.7, NI, 2-15, 2-21, 2-56, 3-21
Nut, Hex, Lock, M4 X 0.7, NI, Ss, 2-21, 2-99, 2-127, 2-131, 3-3
Nut, Hex, Lock, M4 X 0.70, NI, 3-69
Nut, Hex, Lock, M4 X 0.70, NI, Ss, 3-37
Nut, Hex, Lock, M5 X 0.8, NI, 2-15, 2-25, 2-31, 2-89
Nut, Hex, Lock, M5 X 0.8, NI, Ss, 2-113, 2-115, 2-141, 3-13, 3-19, 3-25
Nut, Hex, Lock, M5 X 0.80, NI, 3-37, 3-57, 3-63
Nut, Hex, Lock, M5 X 0.80, NI, Ss, 3-33, 3-43, 3-47, 3-49, 3-51, 3-52, 3-53, 3-65
Nut, Hex, Lock, M6 X 1.0, NI, 2-15, 2-17, 2-19, 2-25, 2-31, 2-41, 2-45, 2-55, 2-89, 2-95
Nut, Hex, Lock, M6 X 1.0, Ss, NI, 2-13, 2-51, 2-105, 2-109, 2-111, 2-119, 2-121, 2-141, 2-143
Nut, Hex, Lock, M6 X 1.00, NI, 2-9, 2-43, 2-47, 2-59, 2-71, 2-73, 2-79, 2-85, 3-69
Nut, Hex, Lock, M6 X 1.00, NI, Ss, 3-57, 3-65
Nut, Hex, Lock, M6 X 1.00, Ss, NI, 2-143
Nut, Hex, Lock, M8 X 1.25, NI, 2-7, 2-9, 2-21, 2-41, 2-43, 2-45, 2-47, 2-49, 2-55, 2-61, 2-71, 2-73, 2-75, 2-79, 2-81, 2-83, 2-85, 2-87, 2-89, 2-95, 2-99, 2-129, 2-133, 2-175, 3-15, 3-69
Nut, Hex, Lock, M8 X 1.25, NI, Ss, 2-51, 2-53, 2-55, 2-61, 2-77, 2-99, 2-103, 2-105, 2-109, 2-111, 2-113, 2-115, 2-117, 2-119, 2-121, 2-123, 2-125, 2-127, 2-131, 2-135, 2-139, 2-145, 2-149, 3-7, 3-13, 3-15
Nut, Hex, M10 X 1.5 [Stover], 2-51
Nut, Hex, M10 X 1.50 [Stover], 2-51, 2-53, 2-77
Nut, Hex, Sltld, .75-16, 2-93, 2-115
Nut, Hex, Sltld, .75-18, 2-113
Nut, Hex, Sltld, 1.12-18, 2-91
Nut, Hex, Sltld, M20 X 2.5, 8, 2-113, 2-115
Nut, Hex, Std, .25-20, 2-27, 2-29, 2-35, 2-67, 2-69
Nut, Hex, Std, .25-28, 2-95, 2-97
Nut, Hex, Std, .25-28, Lh, 2-95
Nut, Hex, Std, .31-18, 2-49, 3-55
Nut, Hex, Std, .38-16, 2-53, 2-77
Nut, Hex, Std, M10 X 1.50, 2-105
Nut, Hex, Std, M12 X 1.75, Ss, 2-129, 2-133, 2-149
Nut, Hex, Std, M16 X 2.0, 2-19
Nut, Hex, Std, M3 X 0.5, 8, 2-105
Nut, Hex, Std, M5 X 0.8, 8, 2-23, 2-99
Nut, Hex, Std, M6 X 1.00, 8, 3-37
Nut, Hex, Std, M8 X 1.25, 2-9, 2-49, 2-105
Nut, Hex, Std, M8 X 1.25, Brs, 2-23
Nut, Hex, Std, M8 X 1.25, Ss, 2-129, 2-133
Nut, Hex, Stover, M8, 2-77
Nut, Hex, Stover, M8 X 1.25, 2-59
Nut, Isolator, .38-16 Wall Th .015-.437, 3-59
Nut, Low Crown, .50-20, 2-147
Nut, M10-1.25 Flg [Mit], 6-16, 6-18
Nut, M10-1.25, Hx Flg [Mit], 6-25
Nut, M6-1.0 Flange [Mit], 6-25, 6-29
Nut, M8-1.25 [Mit], 6-15
Nut, Manifold, Exhaust, M8 X 1.25, 5-9
Nut, Motor, Hyd, 4-5
Nut, Solenoid, 4-13, 4-15, 4-17, 4-19, 4-21, 4-23
Nut, Strainer, 6-7

Nut, T, M10 X 1.50 X 15.80d X 13.0l,
2-127, 2-131
Nut, T, M8 X 1.25 X 14.50d X 9.5l, 3-7
Nut, Wheel, .50-20 X 60 Angle, 2-91

O

O-Ring, 6-3, 6-5, 6-12
O-Ring [Mit 208 Buna-N], 6-22, 6-23
Ohg Kit, Ci [M20 And T20], 3-55
Oil, Hyd [El, Iso 100, 01gal], 1-2
Oil, Hyd [El, Iso 100, 05gal], 1-2
Oil, Hyd [El, Iso 32, 01gal], 1-2
Oil, Hyd [El, Iso 32, 05gal], 1-2
Oil, Hyd [El, Iso 68, 01gal], 1-2
Oil, Hyd [El, Iso 68, 05gal], 1-2
Outlet, Water, W/Plug [Mit 2.0/2.4], 6-22

P

Pad, Armrest, 4-31
Pad, Pedal, Brake, 3.96l 2.36w 0.75, 2-95
Pad, Tank, Hyd [W/Psa], 2-171, 2-173
Paint, Airdry, Blk, 12oz, 1-2
Paint, Airdry, Gray, 12oz [Enamel], 1-2
Paint, Airdry, Iron Gray, 12oz [Pwdr Coat],
1-2
Paint, Airdry, Off-White, 12oz, 1-2
Paint, Airdry, Teal, 12oz, Solid, 1-2
Pan, Oil, 6-7
Pan, Oil, W/ Baffle / Plug / Seal, 5-8
Panel Kit, Instmt, Repair [M20/M30], 2-13
Panel Wldt, Adj, 2-9
Panel Wldt, Adj [2007], 2-9
Panel Wldt, Filler, 2-7
Panel Wldt, Gas, Replmt, 2-9
Panel Wldt, Gas, Replmt [W/Fast], 2-9
Panel Wldt, Gas, Replmt, TJ (Japan only),
2-9
Panel Wldt, Gas, Replmt, TJ [W/Fast]
(Japan only), 2-9
Panel Wldt, Gas, Replmt, TJ, W/Es (Japan
only), 2-9
Panel Wldt, Gas, W/ Es, Replmt, 2-9
Panel Wldt, LPG, Replmt, 2-9
Panel Wldt, LPG, Replmt [W/Fast], 2-9
Panel Wldt, LPG, Replmt, TJ (Japan only),
2-9
Panel Wldt, LPG, Replmt, TJ [W/Fast]
(Japan only), 2-9
Panel Wldt, LPG, Replmt, TJ, W/Es
(Japan only), 2-9
Panel Wldt, LPG, Replmt, W/Es, 2-9
Panel Wldt, Shrd, Fan, 2-55
Panel, Access, Door, 2-9
Panel, Access, Floor, 2-9
Panel, Instmt, Rh, Gas, Replmt, 2-13
Panel, Instmt, Rh, Lpg, Replmt, 2-13
Panel, Instmt, Rh, Lpg, Replmt, Ce (Japan
and CE Only), 2-13
Panel, Kit, Instmt, Replmt [M20/M30
ec-H20 only], 2-13

Pawl, Str, 2-113, 2-115
Pedal, Brake, Lock, 2-95
Pedal, Propel, 2-97
Pin Kit, Wheel, Ci [M20/T20/M30], 2-7,
2-107, 3-13
Pin Wldt, 3-11
Pin Wldt, Front, 2-123, 3-9
Pin Wldt, Lift (Replaced by 9003478),
2-125
Pin Wldt, Pivot, Hppr, 2-7
Pin, 0.63d 01.8l, 1/M10h, 2cham, 2-125
Pin, 0.87d 01.8l, 1/M6 X 1.0, 1cham,Stl,
2-101
Pin, 30mmd X 215mml, 2-7, 2-107, 3-13
Pin, Arm, Safety, 2-101
Pin, Clevis, 0.25d X 0.75l, 2-95
Pin, Clevis, 0.31d X 0.75l, 3-7
Pin, Clevis, 0.31d X 1.00l, 2-95
Pin, Clevis, 0.37d X 1.31l, 3-11
Pin, Clevis, 0.37d X 1.50l, 3-11
Pin, Clevis, 0.37d X 1.75l, 2-109, 2-111,
2-117, 2-129, 2-133, 3-11
Pin, Clevis, 0.37d X 2.00l, 2-121
Pin, Clevis, 0.50 D X 4.50l, 2-97
Pin, Clevis, 0.62d X 2.91l, 2-101
Pin, Clevis, 0.75d X 2.00l, 2-117
Pin, Clevis, 0.88d X 2.25l, 2-101
Pin, Cotter, .062 X 0.50, 2-95
Pin, Cotter, .094 X 1.00, 2-95, 2-101,
2-109, 2-111, 2-121, 3-7, 3-11
Pin, Cotter, .125 X 1.00, 2-97, 2-129,
2-133
Pin, Cotter, .125 X 1.25, 2-113, 2-115
Pin, Cotter, .125 X 2.00, 2-91
Pin, Cotter, .156 X 1.25, 2-117
Pin, Cotter, .156 X 2.00, 2-93, 2-107
Pin, Cotter, Hair, 0.31d .058 Wir, 2-15
Pin, Cotter, Hair, 0.38d .072 Wir, 2-117
Pin, Cotter, Hair, 0.62d .120 Wir, 2-101
Pin, Cotter, Hair, 1.00d .178 Wir, 2-7,
2-107, 3-13
Pin, Cotter, Hair, Dbl, 2-7, 3-13
Pin, Dowel, 6-3, 6-9, 6-10, 6-12
Pin, Dowel, Pump, Hyd, 4-7
Pin, Flywheel [Mit 20/20m], 6-18
Pin, Grvd, 0.43d 01.8l [303ss], 2-123, 3-9
Pin, Hitch, .375d X 3.12l, Pl, 3-7, 3-9, 3-67
Pin, Lift, Drain, 2-143
Pin, Locating, Lpg, 2-87
Pin, Lock, Cyl Head, 14mm X 17mm, 5-3,
5-5
Pin, Lock, Transmission, 5-5
Pin, Locking, Steering, Tilt, 2-17
Pin, Retainer, 2-31
Pin, Ring, Lock, Hsng, Water Pump, 5-7
Pin, Roll, .125 D X 0.75l, .125/.129, 2-107
Pin, Roll, .187d X 1.62l, .187/.192, 2-7,
2-107, 3-13
Pin, Spring, 6-9
Pin, Valve, Steering, 4-25
Pipe Kit, Exhaust, Replmt [M20.T20, M30],
2-53

Pipe Kit, Exhaust, Replmt [Mako Mitsui],
2-77
Piston Set, Ring, 6-10
Piston, Pin [Std A], 6-10
Piston, Pin [Std B], 6-10
Piston, Pin [Std C], 6-10
Piston, Pump, Hyd, Gear, 4-5
Piston, W/ Pin, Std, 5-5
Pivot Wldt, Brush, Side, 3-11
Plate Assy, Orifice, 0.0105ld, Green, 4-32
Plate Kit, Repair, 2-23
Plate Wldt, Arm, Stop, 2-101
Plate Wldt, Fan, Hub [Gm 1.6l], 2-49
Plate Wldt, Hose, Vacuum, 2-147, 2-149
Plate Wldt, Lift, Sqge, 2-121
Plate Wldt, Mtg, 3-37
Plate Wldt, Mtg, Fan, 2-149
Plate Wldt, Mtg, Solenoid, 2-107
Plate Wldt, Retainer, Sqge, 3-9
Plate Wldt, Seat, 2-15
Plate Wldt, Shaft, Fan [Shaft Extended],
2-75
Plate Wldt, Shakr, Side, 2-105
Plate Wldt, Wrap, Brush, 2-117
Plate, Backing, Brake, 2-93
Plate, Bottom, Hppr, 2-109, 2-111
Plate, Cam, 4-7
Plate, Cover, 4-7
Plate, Cover, Screen, 3-69
Plate, Door, Clean-Out [Mit2013], 2-79
Plate, Guard, Belt [Gm 1.6l], 2-23
Plate, Guard, Fan Shrd, Gas/Lpg, Replmt,
2-55
Plate, Handle, 2-113, 2-115
Plate, Hook, Latch, 3-65
Plate, Hook, Latch, [M20], 3-65
Plate, Hsng [FaST], 3-19
Plate, Inspection, 3-37
Plate, Label, Soltn Tank (ec-H20 only),
2-136
Plate, Mtg, 3-67
Plate, Mtg [Epr], 6-29
Plate, Mtg, Ecu [Mit 2.0/2.4l], 6-25
Plate, Mtg, Latch, 2-135, 2-136
Plate, Mtg, Light, 2-13
Plate, Mtg, Prop Rod, 2-143
Plate, Mtg, Pump, 3-37, 3-63
Plate, Mtg, Relay, 2-27, 2-29, 2-35
Plate, Mtg, Seal, 2-19, 2-55
Plate, Mtg, Skirt, Scb Head (Replaced by
None), 2-119
Plate, Mtg, Vacuum Wand, 3-59
Plate, Mtg, Valve, 3-25, 3-33, 3-43
Plate, Orifice, 0.070ld, 3-19
Plate, Orifice, 0.093ld, 3-19
Plate, Pin, Clevis, Upper, 2-101
Plate, Retainer, Door, Dump, 2-109, 2-111
Plate, Seal, Sound, 2-21
Plate, Shakr, 2-105
Plate, Shakr, Bar, 2-105
Plate, Shield, Dust, 2-75
Plate, Shield, Heat, Gas/Lpg, Replmt,
2-51, 2-53

CROSS REFERENCE

Plate, Skirt, Front, 2-119
Plate, Spacer, Motor, Hyd [En], 4-9
Plate, Sppt, 2-95
Plate, Sppt, Tank, 2-143
Plate, Stop, Brake, 2-95
Plate, Tank, Bottom, 2-143
Plate, Tensioner, Adj [Mit 2.0/2.4], 6-17
Plate, Valve, Motor, Hyd, 4-5
Plate, Valve, Pump, Hyd, 4-7
Plate, Water, Outlet [Mit Bypass], 6-23
Plate, Wear, Steering Valve, 4-25
Plug, 4-5, 6-3
Plug #10, 4-8
Plug #4, 4-8
Plug Assy [CI], 4-25
Plug Kit, Drain, Recvy, Ci [M20 & T20], 2-143
Plug Orifice, Valve, Hyd, .140, 4-21, 4-23
Plug Wldt, Drive, Brush, 2-113, 2-115
Plug Wldt, Drive, Brush, Sweep, 2-113, 2-115
Plug, .12npt, Ss, 2-27, 2-29, 2-31, 2-35
Plug, 1/8 Npt, Brs, Skt Hd [Mit], 6-15
Plug, 1/8npt, Brs [Mit], 6-30
Plug, 3/8npt X 5/16, Brs [Mit], 6-21
Plug, Bore, Valve, Relief, Oil Press, 5-7
Plug, Cap, 6-12
Plug, Drain, Expandable, 4.75-6.00, 2-143
Plug, Drain, Oil Pan, M14 X 1.5 X 12, 5-8
Plug, Flare, 37deg [Mit], 6-7
Plug, Hole, Coolant, Eng Block, 5-5
Plug, Hole, Core, Eng Block, 5-8
Plug, Hole, Injector, 2-31, 2-35
Plug, Hole, Rnd, 0.50h .03-.12, Blk Nyl, 2-13
Plug, Hole, Rnd, 0.81h, Blk, 2-9
Plug, Hole, Rnd, 0.88h .03-.12, Blk Nyl, 2-9
Plug, Hole, Rnd, 1.00h .03-.12, Blk Nyl, 2-9
Plug, Hole, Rnd, 1.25H .03-.12, Blk Nyl, 2-15
Plug, Hole, Rnd, 2.50h .03-.25, Blk Nyl, 2-9
Plug, Hole, Rt, Rocker Switch, .87 X 1.7, 2-13
Plug, Hole, Soltn Tank, Blk Pyu, 2-135
Plug, Hose, Pyu, 2-139, 2-145
Plug, Hsng, Oil Pump, 5-7
Plug, Injector [Mit], 6-15
Plug, Manifold, Intake, 2-25, 2-27, 2-29, 2-31, 2-35
Plug, Oil, Drain, 6-7
Plug, Orifice, 0.060, Ss [FaST li+], 4-32
Plug, Orifice, Valve, Hyd, .030, 4-11, 4-21, 4-23
Plug, Orifice, Valve, Hyd, .040, 4-11, 4-13, 4-15, 4-17, 4-21, 4-23
Plug, Orifice, Valve, Hyd, .046, 4-19, 4-21, 4-23
Plug, Orifice, Valve, Hyd, .063, 4-19
Plug, Port, Sensor [Map], 2-25, 2-27, 2-29, 2-31, 2-35

Plug, Pump, Hyd, Gear, 4-5
Plug, Restrictor, 3-43
Plug, Rubber, 6-7
Plug, Spark, 1-1
Plug, Spark [Mitsubishi 2015 12mm], 6-19
Plug, Spark [Torch K6rf- 11 14mm], 6-19
Plug, Taper, 6-3
Plug, Tapper, 6-12
Plunger, 3-59, 3-61
Poppet, Pump, Hyd, Gear, 4-5
Pouch, 3-39
Pulley Assy, Damper, Torsional, 6-10
Pulley, Idler, 6-9
Pulley, Pump, Water, 6-13
Pulley, Tension, Belt, Timing, 5-11
Pulley, Tensioner, 6-9
Pulley, Tensioner, Assy[Mit2.0/2.4], 6-17
Pump Assy, Column, Es, 4-3
Pump Assy, Column, Es (See Breakdowns), 3-5
Pump Kit, Hyd, Rotating [Cessna], 4-7
Pump Kit, Mtg, Aux, Ci [M20 & T20], 2-169
Pump, Diaphragm, 4-27
Pump, Air, Ele, 12vdc, 3-21
Pump, Detgt, 12vdc, 3-21
Pump, Detgt, 14vdc, 150ml/Min 20psi, 4-26
Pump, Detgt, 14vdc, 150ml/Min 20psi (See Breakdowns), 3-3
Pump, Diaphragm (See Breakdowns), 3-63
Pump, Fuel, 2-85
Pump, Fuel, Hi Press [Gm 1.6l/3.0l], 2-83
Pump, Gear, Drive, Oil, 6-12
Pump, Gear, Oil, 6-12
Pump, Hyd, Piston, Var, 1.24 4000, Cw, 4-7
Pump, Hyd, Piston, Var, 1.24 4000, Cw (See Breakdowns), 2-169
Pump, Oil, 5-7, 6-12
Pump, Soltn, 13.7vdc, 65psi [FaST li+], 3-29
Pump, Soltn, Ele, 12vdc [W/O Chk Valve], 3-19
Pump, Soltn, Ele, 13.7vdc, 12/28psi, 3-37
Pump, Water, 6-13
Pump, Water [Gm], 5-7

R

Race Thrust, 4-8
Race, Brg, Pump, Hyd, 4-7
Rad Screen Kit, Replmt [M/T20, M30 G/Lp], 3-69
Radiator, 2-56
Radiator Kit, Replmt, Ci, 2-56
Radiator, W/ Hyd Cooler [Side X Side], 2-59, 2-79
Rail, Injector, Fuel, Plstc, 2-27, 2-29
Rail, Injector, Gas, W/ Press Reg, 2-25
Receptacle, Lamp [Speaker], 2-7
Regulator, 6-29
Regulator [Ep], 2-37, 2-39
Regulator, Lpg, 2-31

Regulator, Press, Electronic [Epr], 6-30
Relay, 12vdc, 20a, Spdt, 2-238
Relay, 12vdc, 40a, Spdt, 2-238
Relay, 12vdc, 40a, Spdt N/O, 2-89, 3-19, 3-63
Relay, 12vdc, 040a, Spdt No, 2-233, 3-29, 3-37
Repair Kit, Mixer, 2-35, 6-30
Repair Kit, Vaporizer, 6-29
Reservoir, Hyd, 10.0Gal, Replmt, 2-173
Resistor, Ele, Plug [430, 2w], 3-46
Restrictor, Jet, Coolant, 2-31
Retainer, Boot, Steering Column, 2-17
Retainer, Camshaft, 5-11
Retainer, Motor, Hyd, 4-5
Retainer, Ring, Brake, 2-93
Retainer, Skirt, 2-119
Retainer, Skirt, Front, 2-119
Retainer, Sparkplug, 2 Way, 5-12
Retainer, Sparkplug, 3 Way, 5-12
Retainer, Spring, 2-121
Retainer, Sqge, 3-7
Retainer, Sqge, Side, Lh, 2-131
Retainer, Sqge, Side, Rh, 2-127
Ring Kit, Piston, Std 78.95-79.02mm, 5-5
Ring, Lock, 4-7
Ring, Motor, Hyd, 4-5
Ring, Mtg, Sqge, .50l, 2-123
Ring, Retainer, Steering Valve, 4-25
Ring, Retaining, 4-7, 6-17
Ring, Retaining, Ext, 0.38d, [E-Ring], 2-123, 2-125, 3-9
Ring, Retaining, Ext, 0.38d, [Selflock], 2-121
Ring, Retaining, Ext, 0.50d, Hd, 2-17
Ring, Retaining, Ext, 0.62d, Hd, 2-125
Ring, Retaining, Ext, 0.98d, [E-Ring], 2-95
Ring, Retaining, Ext, 1.00d, Basic, 2-113, 2-115
Ring, Retaining, Int, 2.00d, 2-101
Ring, Retaining, Pump, Hyd, 4-7
Rivet, Blind, .125d X 0.54 X .25d, Alm, 2-135, 2-136
Rivet, Plstc, .250d X 0.898, 2-17
Rivet, Plstc, .250d X 0.90, 3-39, 3-61
Rod, 2-95
Rod Assy, Connecting, 6-10
Rod Wldt, Arm, Safety, 2-101
Rod-End, .25-28rh Fem 0.25b [Teflon], 2-97
Rod-End, .50-20lh Fem 0.50-20stud, 2-117
Rod-End, .50-20rh Fem 0.50b, 2-117
Rod-End, .50-20rh Mal 0.50b, 3-11
Rod, Connecting, M08 X 45, 5-5
Rod, Hanger, Isolator, 2-53, 2-77
Rod, Thrld, 2 End, .50-20 04.9l, Rh / Lh, 2-117
Roller, Brg, 2-139, 2-145

S

- Screen Kit, Hppr, Replmt [M20], 2-103
Screen Wldt, Hppr, 2-103
Screen, Oil, 6-7
Screen, Oil Pump, W/ Suc Pipe, 5-7
Screen, Pump, 3-5
Screen, Vacuum, 2-143
Screw, 2-37, 2-39, 4-8, 6-5, 6-12
Screw, Adj, Valve, Hyd, 5-3
Screw, Btn, M8 X 1.25 X 16, Ss, 3-13
Screw, Btn, M8 X 1.25 X 20, Blk, 2-127, 2-131, 3-65
Screw, Btn, M8 X 1.25 X 25, Ss, 2-117, 3-7
Screw, Cap, 4-7
Screw, Cap, Motor, Hyd, 4-5
Screw, Flt, .25-20 X 1.00, Al, 2-147
Screw, Flt, .38-16 X 0.75, Al, 2-49
Screw, Flt, .38-16 X 1.00, Al, 2-49
Screw, Flt, .38-16 X 1.50, Al, 2-147
Screw, Flt, M10 X 1.5 X 25, 10.9, 2-127, 2-131
Screw, Flt, M10 X 1.5 X 30, Ss 18-8, 2-109
Screw, Flt, M8 X 1.25 X 20, Blk, 2-127, 2-131
Screw, Flt, M8 X 1.25 X 25, 2-21
Screw, Flt, M8 X 1.25 X 25, 10.9, 2-109
Screw, Flt, M8 X 1.25 X 30, Ss, 2-139, 2-145
Screw, Flt, Soc, .25-20 X 1.00, Al, 2-151
Screw, Flt, Soc, .38-16 X 1.00, Al, 2-75
Screw, Hex, .25-14 X 0.75, Fmg/Ab, Ss, 2-143
Screw, Hex, .25-20 X 0.50, 5, 2-23
Screw, Hex, .25-20 X 0.50, G5, 2-27, 2-29, 2-35, 2-67, 2-69
Screw, Hex, .25-20 X 0.75, G5, 2-27, 2-29, 2-35
Screw, Hex, .25-20 X 0.75, NI, 2-151
Screw, Hex, .25-20 X 1.00, 5, 3-7, 3-9
Screw, Hex, .25-20 X 1.75, Ss, 2-97
Screw, Hex, .25-20 X 2.25, Ss, 2-97
Screw, Hex, .31-18 X 1.75, 5, 2-49
Screw, Hex, .31-18 X 4.50, 5, 2-49
Screw, Hex, .31-24 X 0.75, NI, 2-99
Screw, Hex, .38-16 X 0.75, G5, 2-49
Screw, Hex, .38-16 X 0.75, NI, 2-113, 2-115, 3-7, 3-9
Screw, Hex, .38-16 X 0.88, 5, 3-67
Screw, Hex, .38-16 X 1.00, 5, 2-83, 2-99
Screw, Hex, .38-16 X 1.25, 5, 2-169, 3-59
Screw, Hex, .38-16 X 1.25, NI, 2-99
Screw, Hex, .38-16 X 1.50, Ss, 3-11
Screw, Hex, .38-16 X 2.00, Ss, 2-99
Screw, Hex, .38-16 X 3.00, 5, 2-87
Screw, Hex, .38-16 X 3.75, 5, 2-87
Screw, Hex, .50-13 X 1.25, 5, 2-23
Screw, Hex, .50-13 X 1.50, 5, 2-117
Screw, Hex, .50-13 X 3.00, Ss18-8, 2-125
Screw, Hex, .75-10 X 3.25, G5, 2-91
Screw, Hex, .75-10 X 4.00, 5, 2-91
Screw, Hex, #10-16 X 0.62, Fmg [Ab], 3-63
Screw, Hex, #10-16 X 0.62, Fmg, [Ab], 2-19
Screw, Hex, #10-24 X 0.50, Ss, 2-49
Screw, hex, H6 X 1.00 X 20, 9.8, Sems, 3-57
Screw, Hex, M07-1.00 X 20.0, 8.8, 2-23
Screw, Hex, M10 X 1.25 X 25, 8.8, 2-63, 2-65
Screw, Hex, M10 X 1.5 X 16, 8.8, 2-17
Screw, Hex, M10 X 1.5 X 20, 8.8, 2-49
Screw, Hex, M10 X 1.5 X 20, Ss, 2-105, 2-109, 2-111
Screw, Hex, M10 X 1.5 X 25, 8.8, 2-7, 2-9, 2-23, 2-171
Screw, Hex, M10 X 1.5 X 25, Ss, 2-101, 2-107, 2-117, 2-129, 2-133
Screw, Hex, M10 X 1.5 X 30, 8.8, 3-55
Screw, Hex, M10 X 1.5 X 30, Ss, 2-7, 2-109, 2-111, 2-121, 3-13
Screw, Hex, M10 X 1.5 X 35, 8.8, 2-51, 2-53, 2-77, 3-67
Screw, Hex, M10 X 1.5 X 40, 8.8, 2-151
Screw, Hex, M10 X 1.5 X 45, 8.8, 3-67
Screw, Hex, M10 X 1.5 X 80, 8.8, 3-67
Screw, Hex, M10 X 1.50 X 20, 8.8, 2-53
Screw, Hex, M10 X 1.50 X 25, 8.8, 2-59
Screw, Hex, M10 X 1.50 X 45, 8.8, 2-59, 2-79
Screw, Hex, M10 X 1.50 X 60, 8.8, 2-105
Screw, Hex, M12 X 1.75 X 30, 8.8, 3-11
Screw, Hex, M12 X 1.75 X 30, Ss, 2-107
Screw, Hex, M12 X 1.75 X 35, 8.8, 2-63, 2-65
Screw, Hex, M12 X 1.75 X 40, 8.8, 2-93, 2-117
Screw, Hex, M12 X 1.75 X 55, Ss, 2-129, 2-133
Screw, Hex, M12 X 1.75 X 60, 8.8, 2-23, 2-63, 2-65
Screw, Hex, M16 X 2.0 X 90, 8.8, 2-19
Screw, Hex, M4 X 0.7 X 10, Fmg, 2-101
Screw, Hex, M4 X 0.7 X 12, 8.8, 3-21
Screw, Hex, M4 X 0.70 X 10, Ss, 3-69
Screw, Hex, M4 X 0.70 X 12, 8.8, 3-37
Screw, Hex, M4 X 0.70 X 50, Ss, 4-29
Screw, Hex, M5 X 0.8 X 10, Fmg, 2-117
Screw, Hex, M5 X 0.8 X 12, Ss, 3-13, 3-67
Screw, Hex, M5 X 0.8 X 16, Fmg, 3-59
Screw, Hex, M5 X 0.8 X 20, 8.8, 2-15, 2-99, 2-101
Screw, Hex, M5 X 0.80 X 10, Fmg, 3-37
Screw, Hex, M5 X 0.80 X 16, Fmg, 3-61
Screw, Hex, M5 X 0.80 X 16, Ss, 3-57
Screw, Hex, M5 X 0.80 X 20, 8.8, 3-37
Screw, Hex, M6 X 1.0 X 12, Fmg, 2-7, 2-55, 2-171
Screw, Hex, M6 X 1.0 X 12, Ss, 3-65
Screw, Hex, M6 X 1.0 X 16, 8.8, 2-19, 2-25, 2-31, 2-55, 2-89, 2-95
Screw, Hex, M6 X 1.0 X 16, Fmg, 2-95, 2-97, 2-107, 2-119, 3-3, 3-19, 3-21
Screw, Hex, M6 X 1.0 X 16, Ss, 2-105
Screw, Hex, M6 X 1.0 X 20, 8.8, 2-15, 2-41, 2-45, 2-55
Screw, Hex, M6 X 1.0 X 20, 9.8, Sems, 2-56, 2-101
Screw, Hex, M6 X 1.0 X 20, Ss, 2-51, 2-53, 2-77, 2-109, 2-111, 2-141, 2-143
Screw, Hex, M6 X 1.0 X 25, 8.8, 2-107
Screw, Hex, M6 X 1.0 X 25, Ss, 2-129, 2-133
Screw, Hex, M6 X 1.0 X 35, Ss, 2-119
Screw, Hex, M6 X 1.0 X 50, 8.8, 2-85
Screw, Hex, M6 X 1.0 X 55, Ss, 2-143
Screw, Hex, M6 X 1.0 X 60, 8.8, 2-95
Screw, Hex, M6 X 1.00 X 12, Ss, 2-136, 3-37, 3-65
Screw, Hex, M6 X 1.00 X 16, 8.8, 2-9, 2-27, 2-29, 2-35, 2-37, 2-87
Screw, Hex, M6 X 1.00 X 16, Fmg, 2-59, 3-69
Screw, Hex, M6 X 1.00 X 16, Ss, 3-29
Screw, Hex, M6 X 1.00 X 20, 8.8, 2-23, 2-77
Screw, Hex, M6 X 1.00 X 20, 9.8, Sems, 2-17, 2-19, 2-59, 2-79, 3-37
Screw, Hex, M6 X 1.00 X 20, Ss, 2-129, 2-133
Screw, Hex, M6 X 1.00 X 25, 9.8 Sems, 2-13, 2-43, 2-47, 2-59, 2-71, 2-73, 2-79
Screw, Hex, M6 X 1.00 X 25, 9.8, Sems, 3-69
Screw, Hex, M6 X 1.00 X 25, Ss, 2-143
Screw, Hex, M6 X 1.00 X 35, 8.8, 2-27, 2-29, 2-35
Screw, Hex, M6 X 1.00 X 35, Ss, 3-37
Screw, Hex, M8 X 1.25 X 110, Ss, 2-123, 3-15
Screw, Hex, M8 X 1.25 X 120, 8.8, Fl, 2-75, 2-175
Screw, Hex, M8 X 1.25 X 130, 8.8, 2-113, 2-115
Screw, Hex, M8 X 1.25 X 16, 8.8, 2-49, 2-75, 2-143, 3-11
Screw, Hex, M8 X 1.25 X 16, Ss, 2-113, 2-115, 2-139, 2-145
Screw, Hex, M8 X 1.25 X 20, 8.8, 2-9, 2-15, 2-19, 2-21, 2-41, 2-45, 2-49, 2-59, 2-61, 2-75, 2-81, 2-83, 2-85, 2-87, 2-91, 2-95, 2-147
Screw, Hex, M8 X 1.25 X 20, Ss, 2-9, 2-15, 2-21, 2-55, 2-61, 2-87, 2-105, 2-113, 2-115, 2-117, 2-119, 2-129, 2-133, 2-135, 2-139, 2-143, 2-145, 2-147, 2-149, 2-175, 2-177, 3-3, 3-5, 3-21, 3-29, 3-37, 3-47, 3-49, 3-51, 3-63
Screw, Hex, M8 X 1.25 X 25, 8.8, 2-7, 2-9, 2-41, 2-43, 2-45, 2-47, 2-55, 2-59, 2-71, 2-73, 2-75, 2-79, 2-81, 2-83, 2-85, 2-87, 2-105, 2-139, 2-145, 2-149, 2-171
Screw, Hex, M8 X 1.25 X 25, 9.8, Sems, 2-7, 2-59, 2-79, 2-89, 2-107, 2-143, 2-151, 3-69

CROSS REFERENCE

- Screw, Hex, M8 X 1.25 X 25, Fmg, 2-119, 3-21, 3-25, 3-33, 3-43
- Screw, Hex, M8 X 1.25 X 25, Ss, 2-61, 2-99, 2-103, 2-109, 2-111, 2-113, 2-115, 2-119, 2-121, 2-135, 2-149, 3-7, 3-11, 3-15
- Screw, Hex, M8 X 1.25 X 30, 8.8, 2-75, 2-139, 2-145
- Screw, Hex, M8 X 1.25 X 30, 9.8, Sems, 2-173, 3-69
- Screw, Hex, M8 X 1.25 X 30, Ss, 2-149
- Screw, Hex, M8 X 1.25 X 35, 8.8, 2-95, 2-139, 2-145
- Screw, Hex, M8 X 1.25 X 35, 9.8, Sems, 2-59, 2-79, 3-69
- Screw, Hex, M8 X 1.25 X 35, Fl, Ss, 2-149
- Screw, Hex, M8 X 1.25 X 35, Ss, Fl, 2-121
- Screw, Hex, M8 X 1.25 X 40, 8.8, Fl, 2-75
- Screw, Hex, M8 X 1.25 X 40, Ss, Ni, 2-99
- Screw, Hex, M8 X 1.25 X 45, 8.8, 2-83, 2-85
- Screw, Hex, M8 X 1.25 X 45, Ss, 2-51, 2-53, 2-77, 2-125
- Screw, Hex, M8 X 1.25 X 50, 8.8, 2-99
- Screw, Hex, M8 X 1.25 X 50, Ss, Fl, 2-119
- Screw, Hex, M8 X 1.25 X 60, 8.8, 2-105, 2-121
- Screw, Hex, M8 X 1.25 X 60, 8.8, Fl, 2-9, 2-49
- Screw, Hex, M8 X 1.25 X 60, Fl, 2-117
- Screw, Hex, M8 X 1.25 X 70, 8.8, 2-95
- Screw, Hex, M8 X 1.25 X 90, 8.8, 2-75, 2-125
- Screw, Motor, Hyd [En], 4-9
- Screw, Mtg [Ehpr98], 4-17, 4-23
- Screw, Pan, #12-16 X 0.50, F/ Plstc, 2-143, 3-70
- Screw, Pan, 12-16 X 0.50, F/ Plstc (ec-H2O only), 2-136
- Screw, Pan, M3 X 0.5 X 20, 4.8, 2-105
- Screw, Pan, M4 X 0.7 X 10, Ss, 2-127, 2-131
- Screw, Pan, M4 X 0.7 X 16, 4.8, 2-21
- Screw, Pan, M4 X 0.7 X 16, Ss, 2-21, 3-3
- Screw, Pan, M4 X 0.7 X 20, 4.8, 2-107
- Screw, Pan, M4 X 0.7 X 20, Ss, 2-107
- Screw, Pan, M4 X 0.7 X 25, 4.8, 2-15
- Screw, Pan, M4 X 0.7 X 35, Ss, 2-99
- Screw, Pan, M4 X 0.70 X 16, 4.8, 2-55
- Screw, Pan, M5 X 0.8 X 12, Ss, 2-15, 2-21, 2-87, 2-105, 2-141, 3-19, 3-25
- Screw, Pan, M5 X 0.8 X 40, 4.8, 2-25, 2-31
- Screw, Pan, M5 X 0.8 X 40, Ss, 2-113, 2-115, 3-19
- Screw, Pan, M5 X 0.80 X 45, 4.8, 3-63
- Screw, Pan, M6 X 1.0 X 16, Ss, 2-121
- Screw, Pan, M6 X 1.00 X 16, 4.8, 2-49
- Screw, Pan, M8 X 1.25 X 25, Blk, 2-9, 2-13, 2-15, 2-17, 2-21
- Screw, Pan, M8 X 1.25 X 25, Ss, 2-7
- Screw, Pan, Phl, 06-20 X 0.50, Fmg/Ab, 2-21, 2-135, 2-136
- Screw, Pan, Phl, 12-16 X 0.50, F/ Plstc, 2-135, 2-136
- Screw, Pan, Phl, M4 X 0.70 X 20, Ss, 3-37
- Screw, Pan, Phl, M5 X 0.80 X 12, Ss, 3-29, 3-33, 3-65
- Screw, Pan, Phl, M5 X 0.80 X 16, Tcut, Ss, 4-29
- Screw, Pan, Phl, M5 X 0.80 X 20, Ss, 3-43, 3-47, 3-49, 3-51, 3-52, 3-53
- Screw, Pan, Phl, M6 X 1.00 X 35, Ss, 2-5
- Screw, Set, #10-24 X 0.25, Ni, 2-105
- Screw, Soc, .25-20 X 0.75, Al, 2-17
- Screw, Soc, .38-16 X 1.50, Al, 2-23
- Screw, Soc, .50-13 X 1.50, Al, 2-91
- Screw, Soc, M12 X 1.75 X 55, 10.9, 2-23
- Screw, Soc, M16 X 2.0 X 50, 12.9, 2-91
- Screw, Soc, M4 X 0.70 X 16, 6-30
- Screw, Soc, M6 X 1.0 X 25, 12.9, 2-25
- Screw, Soc, M6 X 1.0 X 45, 12.9, 2-25
- Screw, Soc, M6 X 1.00 X 25, 12.9, 2-27, 2-29, 2-35
- Screw, Soc, M6 X 1.00 X 45, 12.9, 2-27, 2-29
- Screw, Soc, M8 X 1.25 X 25, 12.9, 2-129, 2-133
- Screw, Soc, M8 X 1.25 X 35, 12.9, 2-129, 2-133
- Screw, Soc, M8 X 1.25 X 70, 12.9, 2-35
- Screw, Valve, Steering, 4-25
- Screw, Hex, M5 X 0.80 X 29, 8.8, 3-57
- Seal Kit, Cartridge, 2-177, 4-11, 4-13, 4-15, 4-17, 4-19, 4-21, 4-23
- Seal Kit, Motor [C], 3-9, 4-9
- Seal Kit, Pump, Hyd, 4-7
- Seal Kit, Steering [C], 4-25
- Seal Kit, Valve [Ehpr98], 4-17, 4-23
- Seal Replmt Kit, 4-8
- Seal, Sponge, 0.88 1.00W 43.0L, 2-19
- Seal, Afmkt, Bulb, 90, 0.50d, 02ft, 2-15
- Seal, Afmkt, Bulb, 90, 0.75d F/11ga 02ft, 2-15, 2-21
- Seal, Afmkt, Bulb, 90, 0.75d F/11ga 08ft, 2-9
- Seal, Afmkt, Bulb, Str, 0.58d 08ft, 2-79, 3-69
- Seal, Afmkt, Bulb, Str, 1.0d F/11ga 08ft, 2-19
- Seal, Afmkt, Ure, Adh, 0.38, 0.38w 02ft, 2-79
- Seal, Afmkt, Ure, Adh, 0.38, 0.75w 08ft (Replaced By none), 2-105
- Seal, Bulb, Str, .50Hi .50W 047.2L, Adh, 2-135, 2-136
- Seal, Cam Shaft, Front, 6-5
- Seal, Cap, 6-5
- Seal, Case, Oil, Rear, 6-3
- Seal, Door, Dump, 2-109, 2-111
- Seal, Door, Dump, Side, 2-109
- Seal, Drive, Rear, Grease Cav, 2-91
- Seal, Foam, 0.50, 2-9
- Seal, Oil, 6-3, 6-12, 6-19
- Seal, Oil, Cshft, 5-5
- Seal, Org, 2-31
- Seal, Org, .069 X 3.06id, 2-169
- Seal, Org, .072 X 00.35id #04, 4-11, 4-19, 4-21, 4-23
- Seal, Org, .078 X 00.47id #06, 4-11, 4-13, 4-19, 4-21, 4-23
- Seal, Org, .078 X 00.47id 06, 4-15, 4-17
- Seal, Org, .087 X 00.64id #08, 4-19
- Seal, Org, Bolt, Cover, Camshaft Hsng, 5-11
- Seal, Org, Cap, 5-3
- Seal, Org, Cap, Fltr, Oil, 5-8
- Seal, Org, Hsng, Oil Pump, 5-7
- Seal, Org, Lpg, Mixer, 6-28
- Seal, Org, Oil Pump, 5-7
- Seal, Org, Press Switch / Drain Plug, 5-7, 5-8
- Seal, Org, Sensor, Temp [Epr], 2-37, 2-39
- Seal, Org, Throttle Body, 2-31
- Seal, Org, Water Pump, 5-7
- Seal, Panl, Instmt, 2-9
- Seal, Plug, Drain, Nitrile, 2-143
- Seal, Radiator, 2-55
- Seal, Radiator, Upper, 2-89
- Seal, Rbr, Clsd, 0.13, Instmt Panl, 2-13
- Seal, Ring, Pipe, Suc, Oil Pump, 5-7
- Seal, Seat, Valve, 5-3
- Seal, Shaft, Drain Plug, 2-143
- Seal, Tube, Water [Mit 2.0], 6-22
- Seal, Ure, 0.38 0.75w 13.2l Adh, 2-151
- Seal, Ure, 0.38 0.75w 33.0l Adh, 2-151
- Seal, Wire, 14/16ga [Wp / Mp280 Sealed], 4-27
- Sealant, Tube, Ds, 5-8
- Seat, 4-31
- Seat (See Breakdowns), 2-15
- Seat, Rotator, Valve, 5-3
- Seat, Spring, Valve, 5-3
- Seat, Spring, Valve, 0.333, 5-3
- Seat, Suspension, W/1 Arm And Belt, 2-15
- Seat, Valve, Exhaust, [+0.2mm], 5-3
- Seat, Valve, Exhaust, [+0.4mm], 5-3
- Seat, Valve, Exhaust, Std, 5-3
- Seat, Valve, Intake, [+0.2mm], 5-3
- Seat, Valve, Intake, [+0.4mm], 5-3
- Seat, Valve, Intake, Std, 5-3
- Seatbelt, 4-31
- Seatbelt, Retractable [Deluxe Seat], 2-15
- Send-Unit, Fuel, 2-83
- Send-Unit, Fuel [2007], 2-85
- Send-Unit, Water, Temp, 04npt 113oh/195d, 2-173
- Sender, Oil, Press [Mit] (3 Prong), 6-12
- Sensor [T Map], 2-27, 2-29, 2-35
- Sensor [Tmap], 2-25, 2-31, 6-25
- Sensor Kit, Repair [Thermo-Sentry, M20], 2-105
- Sensor, Camshaft [Mit], 6-25
- Sensor, Exhaust, Tailpipe, 2-53, 2-77, 6-25
- Sensor, Level, Liq, 14vdc 01a .62-11, 2-136, 2-143, 3-5
- Sensor, Oxygen, 2-51
- Sensor, Oxygen [Gm 1.6L/3.0L 2007], 2-53
- Sensor, Position, Cshft, 2-23, 5-7

- Sensor, Spd / Dir, 6- 30vdc, 2-99
 Sensor, Spd, Timing Wheel [3.0], 6-25
 Sensor, Temp [Epr], 2-37, 2-39
 Sensor, Temp, Coolant, 2-23, 6-25
 Sensor, Temp, Water [Rework For 1.6GM], 2-23
 Shaft Wldt, Brake, 2-95
 Shaft Wldt, Pedal, Brake, 2-95
 Shaft, Arm , Rocker, 6-9
 Shaft, Arm, Rocker, 6-9
 Shaft, Brush, Idler, 2-113, 2-115
 Shaft, Cap, Rocker, 6-9
 Shaft, Left, Balancer, 6-11
 Shaft, Motor, Hyd, 4-5
 Shaft, Output, 4-8
 Shaft, Output, Motor, Hyd [En], 4-9
 Shaft, Pump, 4-7
 Shaft, Pump, Water, 4-3
 Shaft, Right, Balancer, 6-11
 Shaft, Spring, Rocker, 6-9
 Shaker Wldt, 2-105
 Sheave Assy Kit, Repair, 2-49
 Sheave, 5.00dia [Gm1.6l 2007], 2-49
 Sheave, Cshft, 5-5
 Sheave, Mach [Gm1.6l 2615rpm Fan], 3-69
 Sheave, Mach [Gm1.6l], 2-49
 Sheave, Mach [Mit 2615rpm Fan], 2-75
 Shield, Heat, Gas/Lpg, Replmt, 2-53
 Shield, Heat, Gas/Lpg, Replmt (Japan Only), 2-53
 Shield, Heat, Lower [Mit 20/24m], 6-16
 Shield, Heat, Upper [Mit 20/24m], 6-16
 Shield, Manifold, Exhaust, 5-9
 Shield, Starter [1.6l], 2-23
 Shield, Tray, Drip [Mit 2013], 2-77
 Shim Kit, 4-7
 Shim, Washer, 0.88d 0.51b .020, 2-147
 Shim, Washer, 0.88d 0.51b .060, 2-147
 Shock Absorber, 2.3 Strk, 2-99
 Shoe, Brake, 180 X 30mm, 2-93
 Shoe, Plstc, Sqge, 14.0, 3-59, 3-61
 Shrd Wldt,Fan,G/Lp, Replmt [M20/M30/T20], 2-59, 2-79
 Shrd Wldt,Fan,G/Lp, Replmt [TJ] (Japan Only), 2-59, 2-79
 Shroud Assy, Eng, 2-21
 Shroud Wldt, Fan, 16.25d [Side X Side], 2-59
 Shroud, Fan, 2-79, 3-69
 Shroud, Front, Trimmed, 2-19
 Shroud, Seat, 2-15
 Skirt, Debris, Eng Radiator, 2-55
 Skirt, Eng Fan, Gas / Lp, 2-59, 2-79
 Skirt, Neo, .06, 06.38w 40.86l, 06 Hole, 1-1, 2-119
 Skirt, Neo, .06, 06.85w 27.95l, 08 Hole, 1-1, 2-127, 2-131
 Skirt, Neo, .06, 07.63w 51.52l, 11 Hole, 2-119
 Skirt, Neo, .06, 12.00w 45.88l, 07 Hole, 1-1, 2-119
 Skirt, Neo, .06, 26.99w 40.55l, 36 Hole, 2-119
 Skirt, Neo, .12, 05.39w 14.01l, 02 Sl, 2-119
 Skirt, Neo, .18, 10.37w 27.95l, 12 H&S, 1-1, 2-127, 2-131
 Skirt, Rbr, .37, 04.50w 40.94l, 06 Hole, 1-1, 2-119
 Sleeve, 0.31b 0.50d 0.3l, Ss, 2-129, 2-133, 2-143
 Sleeve, 0.49b 0.68d 1.2l [304ss], 2-129, 2-133
 Sleeve, Dashpo, Pump, Hyd, Gear, 4-5
 Sleeve, Nyl, #37 05.0l, 2-91
 Sleeve, Nyl, 2.38id 25.0l, 2-91
 Sleeve, P/M, 0.31b 0.50d 0.3l [430ss], 2-139, 2-145
 Sleeve, P/M, 0.31b 0.50d 0.7l [430ss], 2-123, 2-139, 2-145
 Sleeve, P/M, 0.31b 0.50d 0.9l [430ss], 2-51, 2-53, 2-77, 2-113, 2-115
 Sleeve, P/M, 0.34b 0.63d 0.6l, Bnz, 2-125
 Sleeve, P/M, 0.34b 0.63d 1.2l, Bnz, 2-123
 Sleeve, P/M, 0.37b 0.50d 0.6l [430ss], 3-11
 Sleeve, P/M, 0.43b 1.00d 1.0l, Stil, 2-83
 Sleeve, P/M, 0.47b 0.75d 0.5l [430ss], 2-117
 Sleeve, Pump, Water, 4-3
 Sleeve, Rbr, 3.50b 3.58d 1.8l, 3-5
 Sleeve, Throttle, Plstc [Bosch], 2-31
 Solenoid, #10, 12vdc, 4-13, 4-15, 4-17, 4-19, 4-21, 4-23
 Solenoid, #8, 12vdc, 4-11, 4-13, 4-15, 4-17, 4-19, 4-21, 4-23
 Solenoid, 12v, Valve, Hyd [Cec], 4-10
 Solenoid, Pull, 12vdc, Damper, 2-107
 Spacer, 3-7, 3-9
 Spacer Plate, 4-8
 Spacer, Alternator [Mit 2.0/2.4], 6-20
 Spacer, Belt, Balancer, Train, 6-11
 Spacer, Coil, #8, 4-11, 4-21, 4-23
 Spacer, Crankshaft, 2-75
 Spacer, Fan, 2-49
 Spacer, Fan, Taper [2007], 2-49
 Spacer, Fan, Taper [Mit 2013], 2-75
 Spacer, Hub, Keyed, 3-7, 3-9
 Spacer, Pad, Rbr, 2-121
 Spacer, Plstc, Ny, 2-15
 Spacer, Pump, Water, 2-75
 Spacer, Ring, Throttle [Mit 40mm], 6-28
 Spacer, Sppt, Fltr Lock Off, 2-31
 Spacer, Sqge, Side Brush, Rbr, 3-9
 Spacer, Strap, Adj, Alternator, 2-49
 Spacer, Valve, Steering, 4-25
 Sparkplug, 5-12
 Sparkplug [Gm], 1-1
 Sparkplug [Gm, 1pick=1plug], 1-1
 Spool, Pilot, Dual, Hyd, 4-21, 4-23
 Spool, Pilot, Hyd, 4-11, 4-13, 4-15, 4-17, 4-19, 4-21, 4-23
 Spring, 4-5
 Spring Kit, Scu [CI], 4-25
 Spring, 3/4 X 16 [Gm1.6L 2010 Lpg], 2-39
 Spring, Cmpr, 0.9od .042wir 02.0l, 2-123
 Spring, Cmpr, 18.8d, 1.6w, 57.1l, 2-17
 Spring, Dsl, 1.00od 0.50id 1.7l, 2-125
 Spring, Extn, 0.75od X 0.09wir, 2.5l, 2-129, 2-133
 Spring, Extn, 0.75od X 0.12wir, 4.3l, 2-99
 Spring, Extn, 0.88od X 0.14wir, 9.0l, 2-121
 Spring, Extn, 2.00od 0.25wir 07.5l, 2-117
 Spring, Flat, Retainer, Angled Screen, 2-103
 Spring, Flt, 0.08th, 4.50w X 07.0l, 2-121
 Spring, Keeper, 2-125
 Spring, Motor, Hyd, 4-5
 Spring, Tors, 0.75id .06wir 02.8coil, 2-95
 Spring, Tors, 1.13id .12wir 02.3coil Rh, 2-95
 Spring, Valve, 5-3
 Spring, Valve, Relief, Oil Press, 5-7
 Spring, Wir, 0.08d, Brake, Parking, 2-95
 Spring, Wir, 0.16d, Brush Retaining, 2-5
 Spring, Wir, 0.25d, Return, Brake, 2-93
 Sprocket Assy, Cshft, 6-9
 Sprocket, Camshaft, 5-11, 6-9
 Sprocket, Crankshaft, 5-11
 Sprocket, Cshft, 6-11
 Sprocket, Pump, Oil, 6-9
 Sprocket, Shaft, Balancer, 6-11
 Squeegee Assy, Sba, Linatex, 1-2, 3-7
 Squeegee Assy, Sba, Ure, 1-2, 3-7
 Squeegee Kit, Rear, Replmt [M20/T20], 2-123
 Squeegee Wldt, Rear, 2-123
 Stand- Off, Hex, M8 X M8, Metal, 2-63, 2-65
 Starter, 12vdc [Delco] (Mar. 2006 and Newer), 5-5
 Starter, 12vdc [Gm] (Before Mar. 2006), 5-5
 Starter, Motor [Mit 2.0/2.4], 6-20
 Steer- Control, Hyd#05, 06.1 2030 (See Breakdowns), 2-17
 Steer- Control, Hyd05, 06.1 2030, 4-25
 Stem, Valve, Hyd, 4-13, 4-15, 4-17, 4-19, 4-21, 4-23
 Stem, Valve, Hyd [4w2p], 4-15, 4-17, 4-21, 4-23
 Stem, Valve, Hyd, 4w2p, 4-11, 4-13, 4-19
 Stop, Rotation, 2-125
 Strainer, Hyd, 25gpm 100mesh Psi, 2-173
 Strainer, Hyd, 025gpm 100mesh 03psi, 1-1
 Strainer, Hyd, 25 Gpm 100 Mesh, 1-1
 Strainer, Soltn, 20 Mesh, Cyl 3.5d 9.5l, 3-5
 Strap, Adj, Alternator, 2-49
 Strap, Door, Dump, 2-109, 2-111
 Strap, Door, Dump, Side, 2-109
 Strap, Mtg, Motor, .124.00W, 2-105
 Strap, Mtg, Tank, Lpg, 2-87
 Strap, Mtg, Tank, Lpg, Hinge, 2-87
 Strap, Pyp, 0.07 1.0w 18.5l, W/ Buckle, 3-59

CROSS REFERENCE

Strap, Rbr, Tie- Down, 2/Hooks 19.0l, 2-89
Strap, Retaining, Hose, 2-139, 2-145
Strap, Sppt, 2-99
Strap, Static, Afmkt, 2-119
Strap, Tank, Gas, 2-83, 2-85
Strip Mtg, Seal, 2-19
Strip, Flap, Recirculation, 2-119
Strip, Non-Slip, 0.50w 06.0l, 2-123
Strip, Rbr, 0.06 01.00W 04.0L, 2-105
Strip, Rbr, 0.06 03.54w 03.5l [Neo/60], 3-37
Strip, Rbr, 0.06 04.00w 05.0l Neo/60, 2-105
Stud, 6-5
Stud, .31- 18 2.75l M8 X 1.25, Ss, 2-123
Stud, Ball, .39d .31- 16, Gasspring, 2-15
Stud, M05-0.8, 2-35, 6-30
Stud, M10 X 1.50 [35], 2-49, 2-51, 2-53
Stud, M10- 1.25 X 50, Full Thrd [Mit], 6-25
Stud, M8- 1.25 X 30 [Mit Double End], 6-15
Stud, M8- 1.25 X 35 [Mit Double End], 6-15
Stud, M8- 1.25 X 40 [Mit], 6-16
Stud, M8- 1.25 X 50 Full Thrd [Mit], 6-15
Stud, Manifold, Intake, M8 X 28, 6-16
Stud, Manifold, M8 X 28, 5-9
Stud, Manifold, M8 X 96, 5-9
Stud, Starter, M08 X 1.25, 5-5
Stud, Wheel, .50- 20 X 1.50l, 0.370th, 2-91
Switch Assy, Press, 3.0, 17.5l Tube, 3-5
Switch Kit, Pump, Repair,, 4-27
Switch, Ignition [Ku], 2-13
Switch, Indicator, Oil Press, 2-23, 5-7
Switch, Indicator, Oil Press [2010], 2-23, 5-7
Switch, Press, 0006psi Dpdt, 2-23
Switch, Press, 10psi, Spst, 3-19
Switch, Press, 12vdc 08a Spst Nc 0070psi, 2-87
Switch, Press, 50 Psi, Pm02, 3-39
Switch, Press, Adj [4- 16 In Wtr], 2-107
Switch, Press, Spdt 0008psi, 2-107
Switch, Rocker, Dpdt Mom/Off/Mom, 2-13
Switch, Rocker, Dpdt On/None/On, 3-63
Switch, Rocker, Dpdt On/Off/On, 2-13
Switch, Rocker, Spst, Mom, 3-37
Switch, Seat, 4-31
Switch, Seat, No [Delta 6440- 04], 2-15
Switch, Snap, 15a No, Rlr, 2-101
Switch, Temp [160F], 2-105
Switch, Temp, Sealed, Nc, 2-105

T

Tank Kit, Soltn, W/ Bracket, Replmt, 2-135
Tank, Coolant, 03.30w 4.7hi 04.7l, 1liter, 2-61
Tank, Coolant, 03.6w 04.1hi 05.5l, 1liter, 2-61, 2-81
Tank, Coolant, 04.7 03.3 4.7deep, 1liter, 2-55
Tank, Detgt, Trimmed, 3-5

Tank, Fuel, 11.26Gal, gas, Replmt, 2-83
Tank, Fuel, 11.2gal, Gas, Replmt [2007], 2-85
Tank, Lpg, 33lb, W/ Gauge [Empty, Liq], 2-87
Tank, Recvy, Trimmed, 2-143
Tank, Soltn, W/ Label [M20], 2-135
Tensioner, 6-9
Tensioner, Timing, Belt, 6-11
Terminal, Bullet, Mal, .157d, 12ga, 3-49, 3-51, 3-52, 3-53
Terminal, Fem, Mp280, Sealed, 18- 16ga, 4-27
Thermostat Kit, Coolant, Replmt [Mitsub], 6-22
Thermostat, W/ Hsng And Seal, 5-3
Thrust Bearing, 4-8
Thurst, Case, 6-5
Tie, Cable, 6.0l, 1.25d Max, 3-52, 3-53
Tie, Cable, 11.3l, 2.75d Max, 3-19
Tie, Cable, Nyl, 07.3l .19w 1.8 Max D, 2-13, 2-25, 2-27, 2-59, 2-91, 2-115, 3-19, 3-39, 3-52, 3-53
Tie, Cable, Nyl, 14.5l .30w 4.0 Max D, 4-29
Tie, Cable, Nyl, 15.3l . W 4.5 Max D, 3-19, 3-25, 3-33, 3-43
Tie, Cable, Nyl, 15.3L . W 4.5 Max D, 2-105
Tire Assy, Solid, 18.0x6.0 4.5bc/5bolt, 1-2
Tire, Drive, Scrbr, Non- Skid, 18.0X6.0, 2-91
Tire, Drive, Scrbr, Pu, Grey, 18.0X6.0 (Optional Polyurethane), 2-91
Tire, Idler, Scrbr, Blk, 16.0X3.5, 2-93
Tire, Idler, Scrbr, Non- Skid, 16.0x3.5 (Optional), 2-93
Tire, Idler, Scrbr, Pu, Grey, 16.0X3.5 (Optional Polyurethane), 2-93
Tower, Wldt, Lift, Lh, Replmt [M20], 2-7
Tower, Wldt, Lift, Rh, Replmt [M20], 2-7
Track Assy, Slide, 4-31
Transport Kit, Ci [M20/M30], 3-65
Tray Wldt, Fuel, 2-83, 2-85
Tray Wldt, Lpg, 2-87
Tray Wldt, Perma- filter (Replaced By none), 2-105
Tray, Perma- Filter, 2-105
Tread, Non- Skid, 01.9w 08.0l, 2-7
Tread, Non- Skid, 02.2w 11.5l, 3-13
Tread, Non- Skid, 03.0w 11.6l, 2-7, 2-9, 2-97
Tube [Pcv], 5-3
Tube Assy, Plug, Drain, 2-143
Tube Kit, Hyd, Case Drain [M20/T20], 2-115
Tube Kit, Tank, Recvy, Replmt, 2-145
Tube Kit, Tank, Soltn, Replmt, 2-139
Tube Wldt, Arm, Safety, 2-101
Tube Wldt, Exhaust, Gas/Lpg, 2-51
Tube Wldt, Leg, Ohg, Lh, Pntd, 3-55
Tube Wldt, Leg, Ohg, Rh, Pntd, 3-55
Tube Wldt, Plug, Drain, 2-143

Tube Wldt, Tee, 2-41, 2-43, 2-45, 2-47
Tube Wldt, Tee [Mit 2013], 2-71, 2-73
Tube Wldt, Torque, 2-117
Tube, 0.50d 0.32b 00.4l, Ss, 2-139, 2-145
Tube, 00.38d 00.26b 00.3l Stl Plt, 2-97
Tube, 00.50d 00.38b 00.6l Stl, 2-99
Tube, 2.90id 3.00od 02.4l, Ss, 2-139, 2-145
Tube, Acrylic, Hose, Pinch, 2-145
Tube, Air Bleed, .62d 2.2l .12npt Alm, 2-25, 2-32
Tube, Bleed, Air, .62od 2.2l .12npt, Alm, 2-27, 2-37
Tube, Coolant, 1.3d, Lower, 2-61
Tube, Coolant, 1.3d, Lower [Mit 2013], 2-81
Tube, Coolant, Lower, 1.3d, 2-55
Tube, Cooling, Line [Mit], 6-23, 6-26
Tube, Distribution, Water, 2-141
Tube, Ds, 5-8
Tube, Exhaust, 1.5d, 2-51
Tube, Exhaust, Fng, 1.5d [M20/T20 2007], 2-53, 2-77
Tube, Hyd, 08 Jf08/Jf08, 3-15
Tube, Hyd, 08 Jf08/Jm08, 2-113
Tube, Hyd, Brush Return, W/ Cd [M20/T20], 2-115
Tube, Hyd, Main Return, 2-171
Tube, Hyd, Main Return [G/Lp Mit2013], 2-171
Tube, Hyd, Rear Sqge [M20], 2-171
Tube, Hyd, Sqge, 2-171
Tube, Hyd, Swp, 2-175
Tube, Pump, Water, 6-22
Tube, Pvc, Clr, 4.0l [Shc80], 3-23, 3-25
Tube, Rnd, 1.75d 0.77b 01.1l, Stl, Pntd, 2-91
Tube, Transition, Casting, 2-151
Tube, Vacuum, 2-107
Tube, Vinyl, Pump, Water, 4-3
Tube, Wand, Vacuum, Metal, 3-61
Tube, Wand, Vacuum, Metal [1pick=1box], 3-59
Tube, Water, Line [Mit], 6-22
Tubing Connctr.Kit, Gorman Pmp, 4-26

U

Upper Hsg Kit, Pump, Repair,, 4-27

V

Valve Assy [Proportional], 4-17, 4-23
Valve Assy, Relief [CI], 4-25
Valve Assy, Water, Solenoid , 12vdc, 2-141
Valve Assy, Water, Solenoid, 12vdc, 3-13, 3-43
Valve Kit, Poppet, Gorman Rupp, 4-26
Valve Stem, N.O.Valve, Hyd, 4-10
Valve, Ball, 04pf, Chm W/ Handle, 2-83
Valve, Body, Throttle, Lpg, 2-32

Valve, By-Pass, Oil Fltr, 5-8
 Valve, Check, 2-31, 4-11, 4-13, 4-15, 4-17, 4-19, 4-21, 4-23
 Valve, Check, 0002psi [FaST li+], 4-32
 Valve, Check, 0002psi Bm04/Bm04, 3-21
 Valve, Check, 0005psi [FaST li+], 4-32
 Valve, Check, 0005psi Bm06/Bm08, 3-29
 Valve, Check, 0005psi Pm04/Bm06, 3-39
 Valve, Check, 2gpm .5psi Bm08/Bm08, 3-43
 Valve, Check, Pump, Water, 4-3
 Valve, Cntrl, Hyd, 4-19
 Valve, Cntrl, Hyd (See Breakdowns), 2-175
 Valve, Cntrl, Hyd [M20 And T20] (Replaced by 1037805), 4-13
 Valve, Cntrl, Hyd [M20 And T20] (See Breakdowns), 3-15
 Valve, Cntrl, Hyd [M20], 4-11
 Valve, Cntrl, Hyd [M20] (See Breakdowns), 2-175
 Valve, Cntrl, Hyd, Solenoid, 03/16gpm, 4-15, 4-17
 Valve, Cntrl, Hyd, Solenoid, 03/16gpm (See Breakdowns), 3-15
 Valve, Cntrl, Hyd, Solenoid, 12vdc 10gpm, 4-23
 Valve, Cntrl, Hyd, Solenoid, 12vdc 10gpm (See Breakdowns), 2-177
 Valve, Cntrl, Solenoid, 4-11, 4-21, 4-23
 Valve, Exhaust, 5-3, 6-9
 Valve, Fuelock, Lpg, Wire Connector, 2-31
 Valve, Gasket, Pcv, 6-4
 Valve, Hyd Cartridge 10no/-0, 4-10
 Valve, Hyd, Check, Jm08/Om08 5000psi, 3-15
 Valve, Hyd, Relief, 4-11
 Valve, Hyd, Solenoid 12vdc 3000psi (See Breakdowns), 3-15
 Valve, Hyd, Solenoid, 12vdc, 4-21
 Valve, Hyd, Solenoid, 12vdc (See Breakdowns), 2-177
 Valve, Inlet, 6-9
 Valve, Intake, 5-3
 Valve, Lock Off, 2-37
 Valve, Lock Off [Gm 1.6L 2010], 2-39
 Valve, Lpg, Press Relief [Rego], 2-87
 Valve, Motor, Hyd, 4-5
 Valve, Pcv, 6-4
 Valve, Relief, 4-13, 4-15, 4-17, 4-19, 4-21, 4-23
 Valve, Relief, 0600Psi, 2-177
 Valve, Relief, 3000 Psi, 4-7
 Valve, Relief, 4000 Psi, 4-7
 Valve, Relief, Oil Press, 5-7
 Valve, Seal, Stem, 6-9
 Valve, Shutoff, 3-63
 Valve, Solenoid, 12vdc, Water Flow, 3-25, 3-33
 Valve, Spring, 6-9
 Valve, Spring, Lock, 6-9
 Valve, Spring, Retainer, 6-9
 Valve, Spring, Seat, 6-9

Valve, Stem, No, 4-13, 4-15, 4-17, 4-19, 4-21, 4-23
 Valve, Trim, Fuel, Normal Flow, 2-32
 Valve, Vent, Air, Float Type, 3-39
 Valve, Water, 12vdc, 6.0mm, 04pf, 3-19
 Valve, Water, Solenoid, 12vdc 0.08pf, 3-3
 Valve, Water, Solenoid, 12vdc 6.0mm Pf04, 3-29
 Video, Oprtr, Dvd [W/Checklist M20], 3-71

W

Wand Kit, Vacuum, Ci [M20], 3-59, 3-61
 Wand, Clean-Out, 3-63
 Washer, 6-9, 6-21
 Washer, 1/4 Flat [Mit], 6-27
 Washer, Belleville, .31, 2-99
 Washer, Belt, Balancer, Train, 6-11
 Washer, Bolt, 6-7
 Washer, Flat 3/8, Sae, 6-17
 Washer, Flat, .781b 1.63od .16, Stil, Blk, 2-91
 Washer, Flat, .78b 1.75d .18, Ss, 2-143
 Washer, Flat, #06, 2-55, 2-105
 Washer, Flat, #08, 2-15
 Washer, Flat, #10, 2-15, 2-21, 2-49, 2-89, 2-101, 3-63
 Washer, Flat, #10 Ss, 2-99
 Washer, Flat, #10, Ss, 2-25, 2-31, 3-3, 3-19, 3-25, 3-63, 3-67
 Washer, Flat, 0.25 Fender, 2-151
 Washer, Flat, 0.25 Fendr, 2-15
 Washer, Flat, 0.25 Sae, 2-15, 2-17, 2-25, 2-31, 2-41, 2-45, 2-51, 2-55, 2-83, 2-105, 2-107
 Washer, Flat, 0.25 Std, 2-23, 2-55, 2-89, 2-95, 2-97, 2-99, 3-19, 3-21
 Washer, Flat, 0.25, Fendr, 2-56, 2-59, 2-79
 Washer, Flat, 0.25, Sae, 2-27, 2-29, 2-35, 2-53, 2-59, 2-77, 2-85, 2-87, 2-151, 3-37, 3-69
 Washer, Flat, 0.25, Ss, 2-105, 2-109, 2-111, 2-119, 2-141, 2-143, 3-65
 Washer, Flat, 0.25, Std, 2-9, 2-23, 2-27, 2-29, 2-35, 2-37, 2-59, 2-67, 2-69, 2-77, 2-79
 Washer, Flat, 0.25b 0.56d .05, Pl, 10, 2-15
 Washer, Flat, 0.27B 0.69D .05, Ss, 2-5, 2-136, 3-29, 3-37, 3-57, 3-65
 Washer, Flat, 0.31 Sae, 2-9, 2-15, 2-21, 2-49, 2-99, 2-129, 2-133, 2-135, 2-139, 2-145
 Washer, Flat, 0.31, Hardened, 2-49
 Washer, Flat, 0.31, Sae, 2-49, 2-75, 2-77
 Washer, Flat, 0.31, Ss, 2-51, 2-55, 2-105, 2-109, 2-111, 2-119, 2-121, 2-123, 2-125, 2-129, 2-133, 2-139, 2-145, 3-3, 3-7, 3-11

Washer, Flat, 0.31, Std, 2-7, 2-9, 2-15, 2-17, 2-19, 2-41, 2-43, 2-45, 2-47, 2-49, 2-53, 2-55, 2-59, 2-61, 2-71, 2-73, 2-75, 2-79, 2-81, 2-83, 2-85, 2-87, 2-91, 2-95, 2-113, 2-115, 2-117, 2-119, 2-139, 2-143, 2-145, 2-171, 2-175, 3-11, 3-13, 3-15, 3-55, 3-65, 3-69
 Washer, Flat, 0.32b 1.00d .12, Ss, 2-9, 2-15, 2-21, 2-75, 2-103, 2-109, 2-111, 2-135, 2-139, 2-143, 2-145, 2-147, 2-149, 2-175, 2-177, 3-5, 3-21, 3-29, 3-37, 3-47, 3-49, 3-51, 3-63
 Washer, Flat, 0.34b 0.75d .12 [Viton], 3-19
 Washer, Flat, 0.38 Sae, 2-23, 2-49, 2-63, 2-65, 2-99, 2-117, 2-125, 2-151, 2-169
 Washer, Flat, 0.38 Std, 2-7, 2-15, 2-83, 2-87, 2-99, 2-107, 2-171, 3-7, 3-9, 3-55, 3-59, 3-67
 Washer, Flat, 0.38, Hardened, 2-23, 2-37, 2-39
 Washer, Flat, 0.38, Sae, 2-49, 2-53
 Washer, Flat, 0.38, Std, 2-53, 2-59, 2-77, 2-79
 Washer, Flat, 0.38b 0.88d .08, Ss, 2-53, 2-61, 2-77, 2-149
 Washer, Flat, 0.38b 1.25d .12, Neo, 2-103, 2-109, 2-111
 Washer, Flat, 0.40b 1.12d .12, Ss, 2-151
 Washer, Flat, 0.40b 1.12d .12, Ss, 2-49, 2-55, 2-59, 2-79, 2-105, 2-109, 2-111, 2-125, 2-147, 3-55
 Washer, Flat, 0.41b 1.25d .12, Pye, 2-15
 Washer, Flat, 0.44b 1.00d .08, Ss, 2-7, 2-101, 2-121, 3-13
 Washer, Flat, 0.50 Sae, 2-17, 2-23, 2-55, 2-63, 2-65, 2-93, 3-11
 Washer, Flat, 0.50 Std, 2-23, 2-63, 2-65
 Washer, Flat, 0.50, Sae, 2-107
 Washer, Flat, 0.50, Std, 2-23
 Washer, Flat, 0.53b 1.88d .12, Stil, Pl, 2-9, 2-23, 2-63, 2-65, 2-121, 2-123
 Washer, Flat, 0.56b 1.38d .11, Ss, 2-117, 2-121, 2-129, 2-133
 Washer, Flat, 0.62 Sae, 2-19
 Washer, Flat, 0.66b 1.00d .12, Rbr, 3-3, 3-63
 Washer, Flat, 0.69b 1.19d .06, Stil, Pl, 2-125
 Washer, Flat, 0.75 Sae, 2-91
 Washer, Flat, 0.76b 1.50d .06, Ss, 2-93
 Washer, Flat, 0.79b 1.18d .06, Nyl, 2-139, 2-145
 Washer, Flat, 0.81b 1.06d .06, Stil, 2-55, 2-59, 2-79
 Washer, Flat, 06, 3-61
 Washer, Flat, 08, 3-37
 Washer, Flat, 08, Ss, 4-29
 Washer, Flat, 1.15b 1.75d .08, Stil, 2-13
 Washer, Flat, 1.26b 1.88d .13, Stil, 3-13
 Washer, Flat, 1.26B 1.88D .13, Stil, Pl, 2-7, 2-107
 Washer, Flat, 1.39b 2.12d .13, Stil, 2-91

CROSS REFERENCE

Washer, Flat, 10, 3-37, 3-47, 3-49, 3-51,
3-52, 3-53
Washer, Flat, 10, Ss, 3-29, 3-33, 3-43,
3-57
Washer, Flat, 2.16b 3.50d .16, Felt, 2-91
Washer, Flat, Belleville, .25, 2-129, 2-133
Washer, Flat, Belleville, .31, 2-49, 2-75,
2-139, 2-145, 2-147, 3-11
Washer, Flat, Belleville, .38, 2-53, 2-99,
2-121, 2-129, 2-133
Washer, Flat, Belleville, .50, 2-129, 2-133,
2-149
Washer, Flat, Belleville, M10, 2-103
Washer, Flat, M21.0b X 37d X 3, 2-93
Washer, Flat, Pump, Hyd, 4-7
Washer, Lock, 0.38, 6-17
Washer, Lock, Int-Ext, 0.31, 2-119
Washer, Lock, Int-Ext, 0.38, 2-49
Washer, Lock, Int-Ext, 10, 2-21
Washer, Lock, Int, #06, 2-105
Washer, Lock, Int, #08, Ss, 2-107
Washer, Lock, Int, #10, Ss, 3-19
Washer, Lock, Int, 0.25, 3-37
Washer, Lock, Int, 0.38, 2-49
Washer, Lock, Int, 08, Ss, 4-29
Washer, Lock, M12 [Mit], 6-18
Washer, Lock, M6 [Mit], 6-28
Washer, Lock, M8 [Mit], 6-9, 6-21
Washer, Pump, Hyd [En], 4-7
Washer, Rbr, 4-3
Washer, Sealing, 0.28b 0.75d Ss, Neo,
2-143
Washer, Sheave, Cshft, 5-5
Washer, Shld, Nyl [8-32], 2-13
Washer, Special, 6-10
Washer, Spring, 6-13
Washer, Sprkt, Camshaft, 5-11
Washer, Star, M10 [Mit], 6-25
Washer, Strainer, 6-7
Washer, Thrust, 0.34b 1.50d .06, 2-139,
2-145
Washer, Thrust, 0.61b 1.25d .06, Fgl,
2-125, 2-127, 2-129, 2-131, 2-133, 3-7
Washer, Thrust, 1.00b 1.75d 0.13w, Fbr,
3-11
Weight, Eccentric, 2-105
Wheel, 06.0D 2.00W 1.19B, Gray Rbr, 2-7,
2-107, 3-13
Wheel, 3.0d 1.38w 0.50b, 1-1, 2-125
Wheel, 4.0d 0.89w 0.64b, 2-123
Wheel, Steering, 14.3d 0.81b 36tooth,
2-17
Wire Set, Sparkplug [1.6], 5-12
Wire, 10ga 16.0l Blk .25ring /.38ring, 2-49
Wire, 16ga 09.6l Brown Mp280/ #10ring,
2-23
Wire, Tie [W/.25" Fir Tree Clip], 2-7