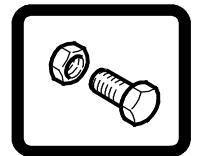


alfa
Uma Empresa Tennant

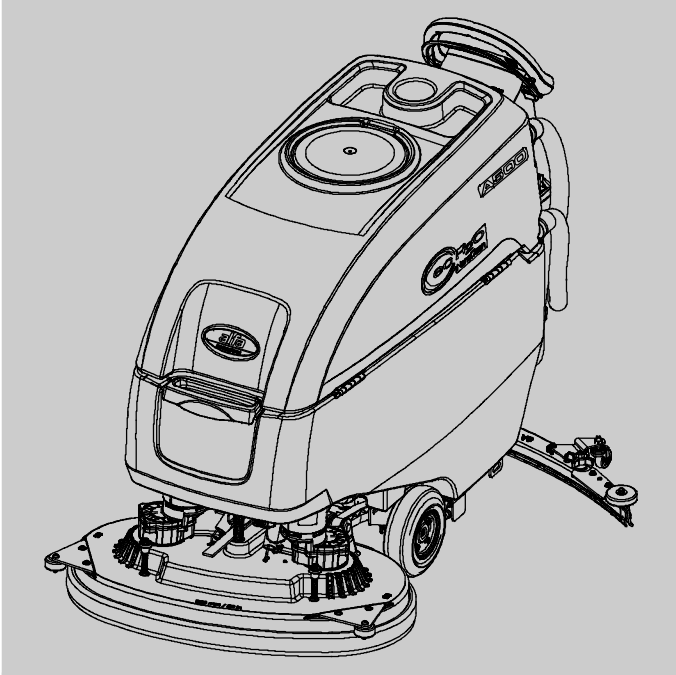
A500

WALK-BEHIND FLOOR SCRUBBER

Parts Manual



(S/N A500-00000 -)



Tennant True® Parts
Insta-Fit™ Adapter



For the latest Parts manuals and other
language Operator manuals, visit:

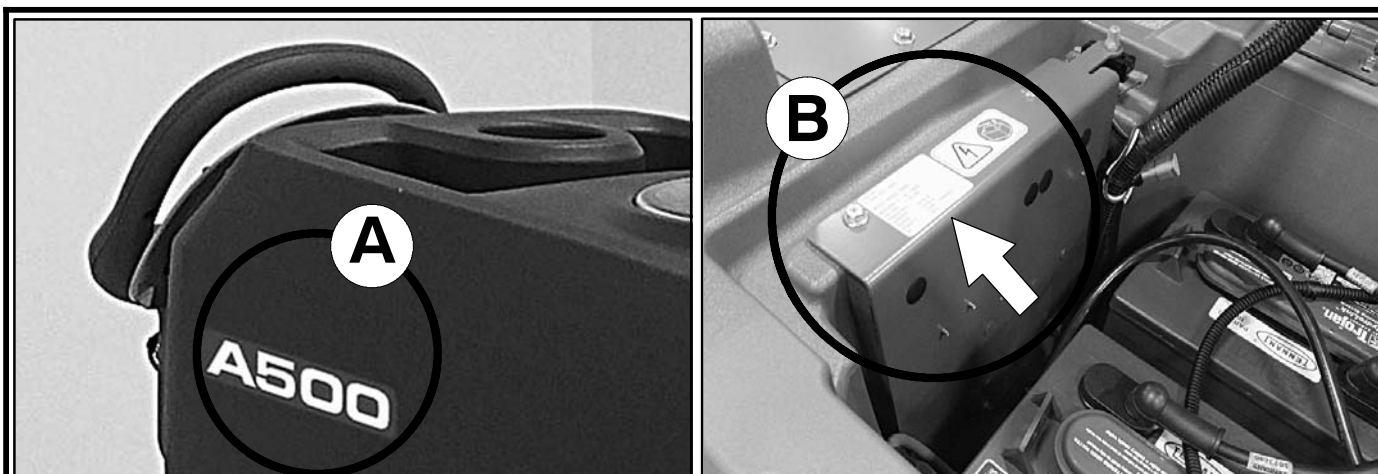
www.alfa.com/manuals

Brazil

www.alfatennantco.com.br

9015590
Rev. 00 (07-2017)





Ref	Part No.	Serial Number	Description	Qty.
1	82681	(000000-)	Bracket Wldt, Lpg Mount	1
∇ 2	63810	(000000-)	Latch Assy, Lpg Tank Mtg, W/Nut	4
▲ 3	51839	(000000-)	Nut Adjustable, Lpg Tank Mtg	2
4	49263	(000000-)	Tie, Cable	3
(D)	82556	(000000- 001039)	Bracket, Vaporizer	1
	54930	(000000-)	Vaporizer, LPG	1

HOW TO ORDER PARTS - See diagram above

Only use TENNANT Company supplied or equivalent parts. Parts and supplies may be ordered online, by phone, by fax or by mail.

Follow the steps below to ensure prompt delivery.

1. (A) Identify the machine model.
2. (B) Identify the machine serial number from the data label.
3. (C) Ensure the proper serial number is used from the parts list.
4. Identify the part number and quantity. Do not order by page or reference numbers.
5. Provide your name, company name, customer ID number, billing and shipping address, phone number and purchase order number.
6. Provide detail shipping instructions.

- (D) ∇ - identifies an assembly
 ▲ - identifies parts included in assembly

Please fill out at time of installation for future reference.

Model No. - _____

Serial No. - _____

Machine Options - _____

Sales Rep. - _____

Sales Rep. phone no. - _____

Customer ID Number - _____

Installation Date - _____

ALFA, Uma Empresa Tennant

Rua Barão de Campinas,
 São Paulo, SP 01201-902 - Brazil

Technical Assistance:
 (11) 3320-8555

Sales: (11) 3320-8550

www.alfatennant.com.br

Specifications and parts are subject to change without notice.

Copyright ©2017 TENNANT Company, Printed in Brazil.

CÓMO SOLICITAR PIEZAS - Consulte el diagrama anterior.

Utilice sólo las piezas suministradas por TENNANT Company o piezas equivalentes. Puede solicitar las piezas a través de internet, por teléfono, por fax o por correo.

Siga los siguientes pasos para que la entrega sea rápida.

1. **(A)** Indique el modelo de máquina.
2. **(B)** Indique el número de serie de la etiqueta de datos.
3. **(C)** Asegúrese de que indica el número de serie correcto de la lista de piezas.
4. Indique la cantidad y el número de la pieza.
No realice el pedido indicando el número de página o el de referencia.
5. Incluya su nombre, el nombre de la empresa, el ID de cliente, las direcciones de envío y facturación, el número de teléfono y el número del pedido de compra.
6. Facilite instrucciones de envío.

- (D)** ▽ - identifica un conjunto
▲ - identifica piezas de un conjunto

ES

Relene estos datos cuando realice la instalación para utilizarlos como referencia en el futuro.

Nº modelo - _____
Nº serie - _____
Opciones de la máquina - _____
Vendedor - _____
Nº teléfono vendedor - _____
Nº cliente - _____
Fecha de instalación - _____

COMO ENCOMENDAR PEÇAS - Consulte o diagrama acima.

Utilize apenas peças fornecidas pela TENNANT Company ou equivalentes. As peças e consumíveis podem ser encomendados online, por telefone, fax ou correio.

Siga os passos abaixo para garantir uma entrega rápida.

1. **(A)** Identifique o modelo da máquina.
2. **(B)** Identifique o número de série da máquina que se encontra na etiqueta de dados.
3. **(C)** Certifique-se de que usa o número de série correcto da lista de peças.
4. Identifique o número de produto e a quantidade. Não encomende através de números de página ou de referência.
5. Forneça o seu nome, o nome da empresa, o número de ID do cliente, os endereços de facturação e entrega, o número de telefone e o número da nota de encomenda.
6. Forneça instruções de entrega detalhadas.

- (D)** ▽ - identifica uma unidade
▲ - identifica peças incluídas numa unidade

PT

Preencha na altura da instalação para futura referência.

Modelo nº - _____
Nº de série - _____
Opções da máquina - _____
Vendedor - _____
Telefone do vendedor - _____
Número de ID do cliente - _____
Data de instalação - _____

STANDARD PARTS

GENERAL RECOMMENDED MAINTENANCE ITEMS	7
REPLACEMENT BRUSHES AND PAD DRIVER DISK	8
SCRUB HEAD GROUP, DISK 800MM / 32IN ...	10
RECOVERY TANK GROUP	12
SOLUTION TANK GROUP	14
STANDARD ELECTRICAL GROUP	16
FRAME AND DRIVE GROUP	18
HEAD LIFT GROUP, DISK	20
LOWER CONSOLE GROUP, OFF- BOARD CHARGER	22
CONSOLE GROUP	24
SQUEEGEE LIFT GROUP	26
SQUEEGEE ASSEMBLY, 700MM / 28IN	28
SQUEEGEE ASSEMBLY, 800MM / 32IN	30
STANDARD SOLUTION GROUP	32
STANDARD BATTERY CABLES GROUP	34
LABEL GROUP	35
ELECTRICAL DIAGRAM	36
ELECTRICAL HARNESS, MAIN	40
ELECTRICAL HARNESS, OPERATOR STATION	46
ELECTRICAL HARNESS, BAIL SWITCH	48

OPTIONS

ec-H2O SOLUTION GROUP	50
BATTERY GROUP, MOURA 6V / 225AH / 20H ..	52
BATTERY GROUP, TUDOR 6V / 210AH / 20H ..	53
DOCUMENTATION GROUP	54

BREAKDOWNS

ec- H2O NANOCLEAN MODULE BREAKDOWN	56
------------------------------------	----

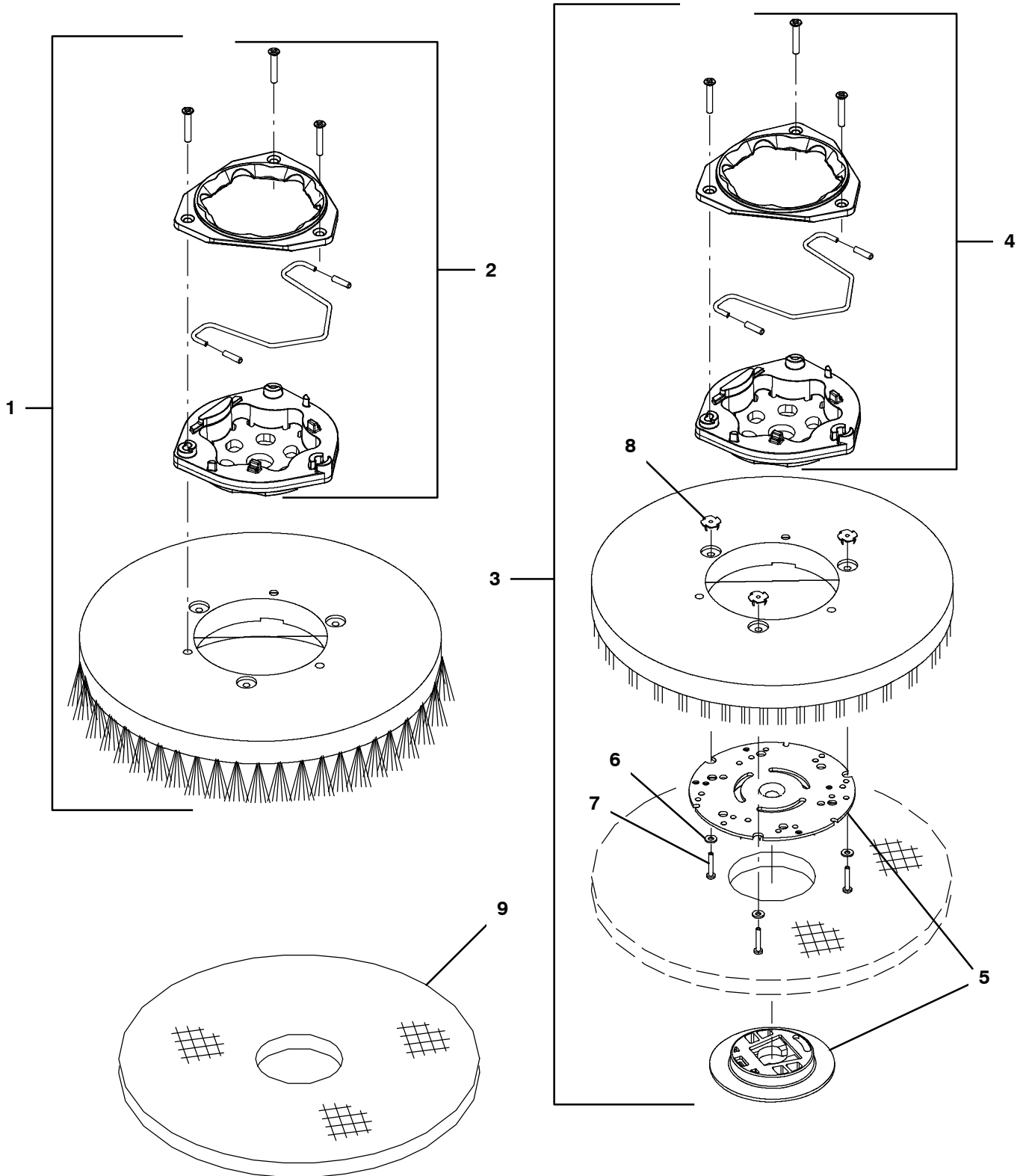
RECOMMENDED MAINTENANCE ITEMS

GENERAL RECOMMENDED MAINTENANCE ITEMS

Part No.	Serial Number	Description	Qty.	
1220216	(00000-) Brush Assy, Disk, Scb, 16.0d, Pyp	2	
1220215	(00000-) Brush Assy, Disk, Scb, 16.0d, Nyl	2	
1220214	(00000-) Brush Assy, Disk, Scb, 16.0d, Sab	2	
9014667	(00000-) Brush Kit, Hub Assy, Drive, Ci [Comm]	1	
02010385	(00000-) Pad, Scrub, 16.0d, Green [1pick=1pad]	2	
02013694	(00000-) Pad, Polish, 16.0d, Beige [1pick=1pad]	2	
02013196	(00000-) Pad, Buff, 16.0d, Red [1pick=1pad]	2	
02010377	(00000-) Pad, Stripping, 16.0d, Black [1pick=1pad]	2	
1221512	(00000-) Bumper, Head, 80cm, Skirt, Im [T500]	1	
▽	1023067	(00000-) Motor, Ele, 24vdc 0220rpm 0.75hp Gear	2
▲	1031775	(00000-) Brush Kit, Carbon, Motor, Replmt [T5]	1
	630052	(00000-) Float, Shut- Off, (2)Ball, 1.75d	1
	9015756	(00000-) Seal, Cover, Recvy, Ci [T500]	1
	1211220	(00000-) Hose Assy,W/2cuff,1.5d 022l 1.5/1.5[Pvc] (Black)	1
▽	1228252	(00000-) Hose Assy, Drain, 1.5d 014l 2/1.5cap Pvc (Black)	1
▲	1218955	(00000-) Cap, Drain Assy [Black]	1
	9015758	(00000-) Seal, Tank, Soltn, Ci [T500/T500e]	1
	1011882	(00000-) Seal, Bulb, Str, Snap- In, Epdm, Bulk (Soltn Tank Front)	1
	1212422	(00000-) Caster, Swivel [Wicke 224051]	2
▽	9004909	(00000-) Wheel Kit, Solid, Ci [T5 T5e Ss5]	1
▲	1223583	(00000-) Wheel, Scrbr, 213mm, W/ Taper	2
▽	1031723	(00000-) Motor, Transaxle, 24vdc, Afrmkt [T5]	1
▲	614166	(00000-) Brush Kit, Carbon, Transaxle, Replmt [4]	1
▽	9015737	(00000-) Blade Kit, 700mm, Linatex/Linard (Standard)	1
▲	1221572	(00000-) Blade, Sqge, Rear, 1204l, Linatex[700mm] (Standard)	1
▲	1232679	(00000-) Blade, Sqge, Front, 1148l Linard[700mm] (Standard)	1
▽	9015738	(00000-) Blade Kit, 700mm, Urethane (Option)	1
▲	1228904	(00000-) Blade, Sqge, Rear, 1204l,Urethane[700mm] (Option)	1
▲	1228906	(00000-) Blade, Sqge, Front,1148l Urethane[700mm] (Option)	1
▽	9015736	(00000-) Blade Kit, 700mm, Gum (Option)	1
▲	1228905	(00000-) Blade, Sqge, Rear, 1204l, Gum[700mm] (Option)	1
▲	1228907	(00000-) Blade, Sqge, Front, 1148l Gum[700mm] (Option)	1
▽	9015740	(00000-) Blade Kit, 800mm, Linatex/Linard (Standard)	1
▲	1221115	(00000-) Blade, Sqge, Rear, 1306l, Linatex[800mm] (Standard)	1
▲	1232681	(00000-) Blade, Sqge, Front, 1256l Linard[800mm] (Standard)	1
▽	9015741	(00000-) Blade Kit, 800mm, Urethane (Option)	1
▲	1228920	(00000-) Blade, Sqge, Rear, 1306l,Urethane[800mm] (Option)	1
▲	1228922	(00000-) Blade, Sqge, Front,1256l Urethane[800mm] (Option)	1
▽	9015739	(00000-) Blade Kit, 800mm, Gum (Option)	1
▲	1228921	(00000-) Blade, Sqge, Rear, 1306l, Gum[800mm] (Option)	1
▲	1228923	(00000-) Blade, Sqge, Front, 1256l Gum[800mm] (Option)	1
▽	1219312	(00000-) Fan, Vacuum, 5.7d, 024vdc, 2 Stage	1
▲	372883	(00000-) Vr, Brush Kit, Motor, Ele	1
	100038	(00000-) Gasket, .50, 02.63id 05.75od, Adh [Epdm]	1
▽	1211537	(00000-) Filter, In- Line, Pf06/Pf06 080m 2.6l Epd	1
▲	1218885	(00000-) Gasket [Epdm, F/1211537]	1
▲	1218883	(00000-) Screen, Fltr, 80 Mesh, Ss [W/ Cage]	1
▲	613991	(00000-) Bowl, Clr, Short, F/1005302	1
▽	9011810	(00000-) Module Kit, Replmt [Ec- H2o, B 02] (Includes Cartridge)	1
▽	9014127	(00000-) Controller Kit, Replmt [Ec- H2o Nc] (Includes Cartridge)	1
▲	9013646	(00000-) Cartridge, Ec- H2o Nanoclean Wcm, 270ml	1
▽	BV22022	(00000-) Switch, Key	1
▲	1017696	(00000-) Key Set, Replmt [F/ Keyswitch 1011402]	1

REPLACEMENT BRUSHES AND PAD DRIVER DISK

355426



REPLACEMENT BRUSHES AND PAD DRIVER DISK

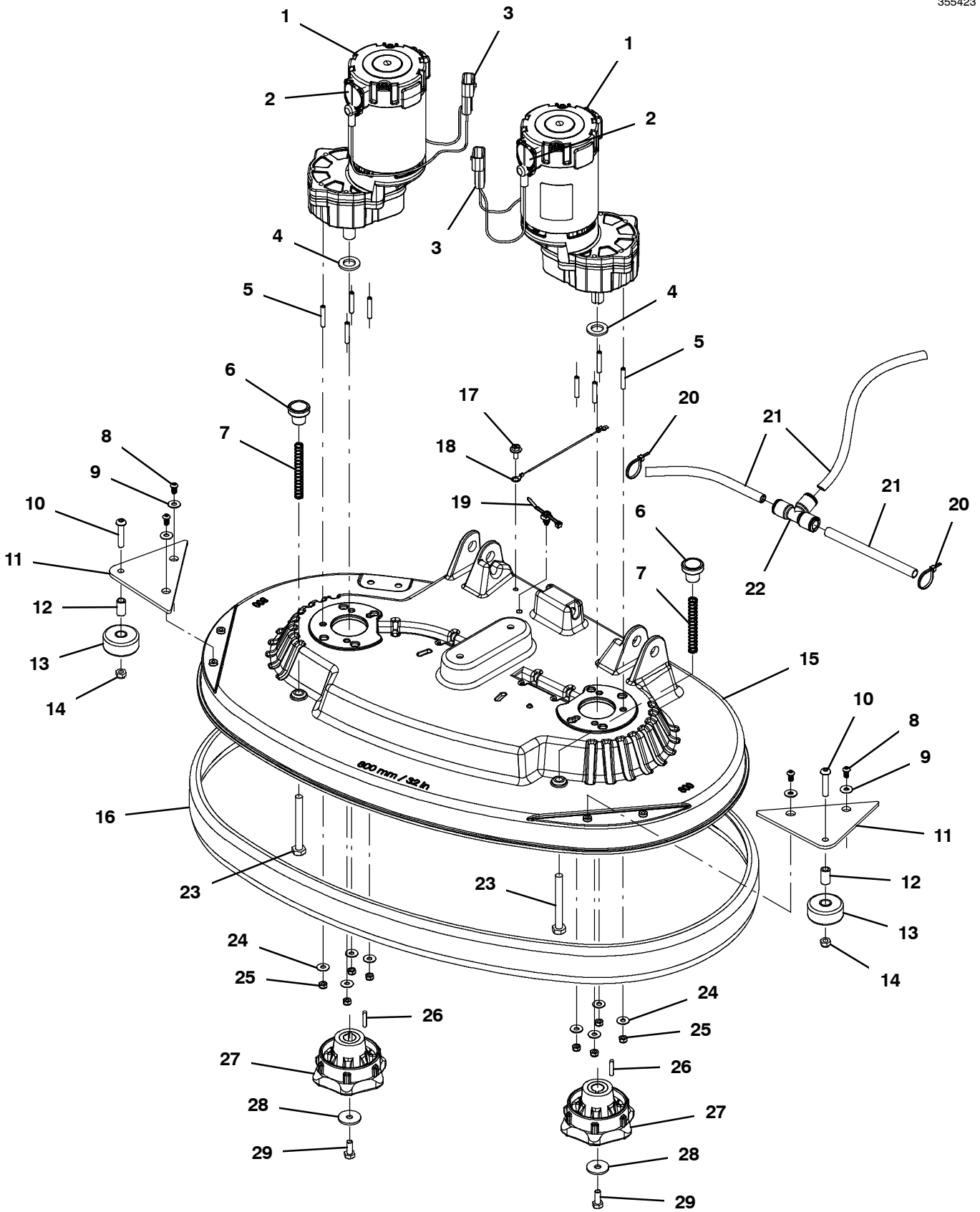
Ref.	Part No.	Serial Number	Description	Qty.
▽	1	1220216	(00000-) Brush Assy, Disk, Scb, 16.0d, Pyp	2
▽	1	1220215	(00000-) Brush Assy, Disk, Scb, 16.0d, Nyl	2
▽	1	1220214	(00000-) Brush Assy, Disk, Scb, 16.0d, Sab	2
▲	2	9014667	(00000-) Brush Kit, Hub Assy, Drive, Ci [Comm]	1
▽	3	1220222	(00000-) Driver Assy, Pad, 16.0d, Brush	2
▲	4	9014667	(00000-) Brush Kit, Hub Assy, Drive, Ci [Comm]	1
▲	5	370095	(00000-) Device, Centering, Clip On, TI [Gf Pp]	1
▲	6	41579	(00000-) Washer, Flat, 08, Ss	3
▲	7	04403	(00000-) Screw, Pan, Phl, M4 X 0.70 X 25, NI, Ss	3
▲	8	10908	(00000-) Nut, T, M4 X 0.70	3
	9	02010385	(00000-) Pad, Scrub, 16.0d, Green [1pick=1pad]	2
	9	02013694	(00000-) Pad, Polish, 16.0d, Beige [1pick=1pad]	2
	9	02013196	(00000-) Pad, Buff, 16.0d, Red [1pick=1pad]	2
	9	02010377	(00000-) Pad, Stripping, 16.0d, Black [1pick=1pad]	2

▽ ASSEMBLY

▲ INCLUDED IN ASSEMBLY

SCRUB HEAD GROUP, DISK 800MM / 32IN

355423



SCRUB HEAD GROUP, DISK 800MM / 32IN

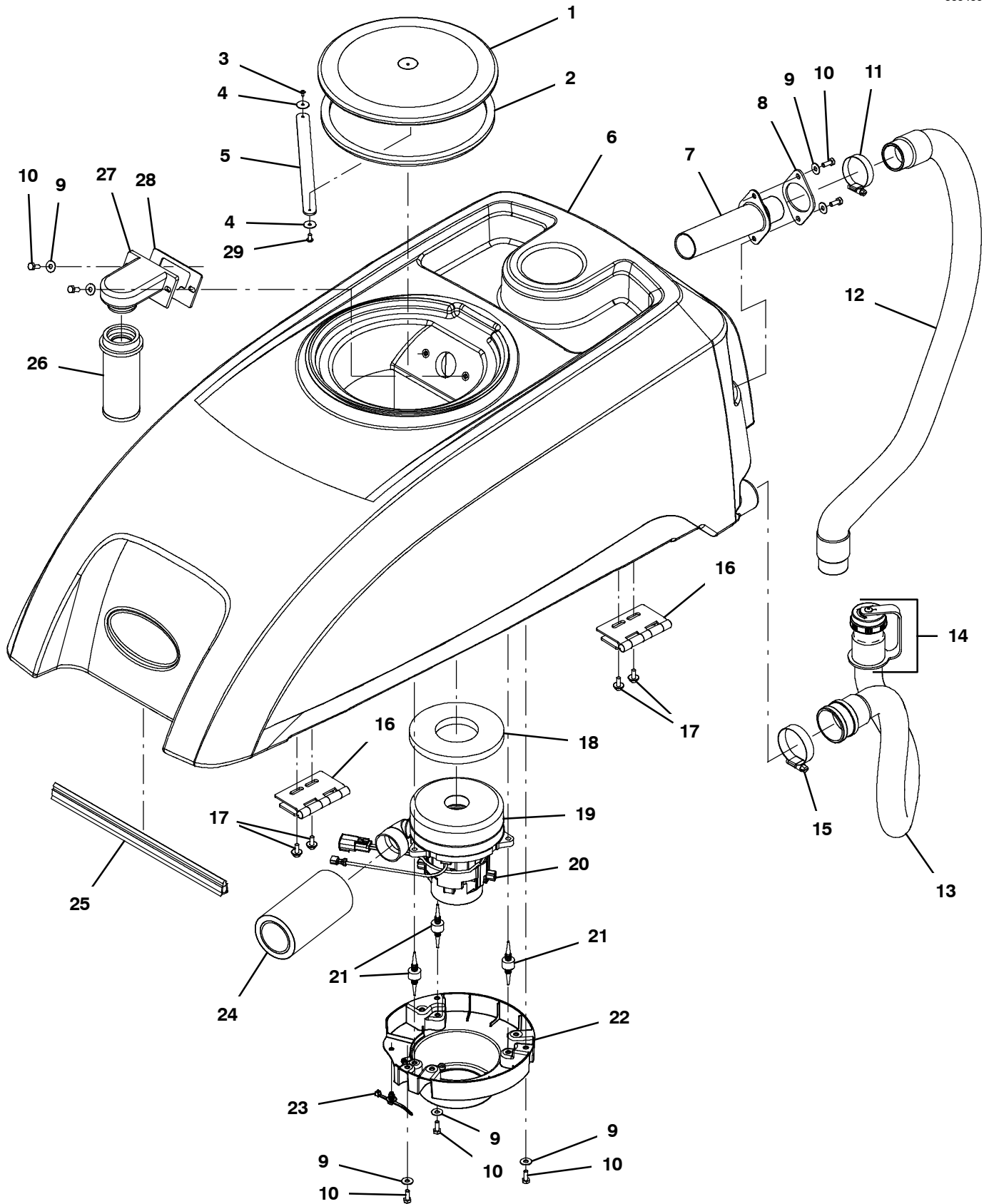
Ref.	Part No.	Serial Number	Description	Qty.
▽	1	1023067	(00000-) Motor, Ele, 24vdc 0220rpm 0.75hp Gear	2
▲	2	1031775	(00000-) Brush Kit, Carbon, Motor, Replmt [T5]	1
▲	3	1031681	(00000-) Harness, Connector, Brush- Motor [T5] Us	1
	4	1022549	(00000-) Spacer, Shaft, 17.15b 30.0d 3.0l, Ss	2
	5	1025853	(00000-) Screw, Set, M6 X 1.00 X 35, NI, Ss	8
	6	1222988	(00000-) Knob, Rnd, 31.0d 27.0l M10, Plstc	2
	7	626081	(00000-) Spring, Cmpr, 0.48od .04wir 03.5l	2
	8	1227865	(00000-) Screw, Trs, M6 X 1.0 X 12, Phl, Ss, NI	4
	9	01684	(00000-) Washer, Flat, 0.27b 0.69d .05, Ss	4
	10	397826	(00000-) Screw, Btn, M8 X 1.25 X 40, Ss	2
	11	1227709	(00000-) Bracket, Roller, Wall	2
	12	222496	(00000-) Sleeve, P/M, 0.32b 0.50d 0.9l [430ss]	2
	13	222403	(00000-) Wheel, 02.0d 0.88w 0.50b	2
	14	08713	(00000-) Nut, Hex, Lock, M8 X 1.25, NI, Ss	2
	15	1222293	(00000-) Housing, Disc, Dual, 80cm [Machined]	1
	16	1221512	(00000-) Bumper, Head, 80cm, Skirt, Im [T500]	1
	17	1034731	(00000-) Screw, Hex, M6 X 1.00 X 16, Sems, Ss	1
	18	1074344	(00000-) Harness, Ele [Ring With .250m Tail]	1
	19	1210807	(00000-) Wire, Tie [W/.25" Fir Tree Clip]	1
	20	130773	(00000-) Tie, Cable, Nyl, 11.0l, .14w, 3.0 Max. D	2
	21	9014145	(00000-) Hose, Afrmkt, Pe, .375id .50od, 05ft	1
	22	1212858	(00000-) Fitting, Plstc, Tee, Qf08/Qf08/Qf08	1
	23	09746	(00000-) Screw, Hex, M10 X 1.50 X 90, Ss	2
	24	01684	(00000-) Washer, Flat, 0.27b 0.69d .05, Ss	8
	25	08712	(00000-) Nut, Hex, Lock, M6 X 1.00, NI, Ss	8
	26	1014328	(00000-) Key, Sq, 05mm X 05mm, 25mml	2
	27	1071637	(00000-) Hub, Drive, Brush, Disk, 17mmb	2
	28	1016331	(00000-) Washer, Flat, 0.34b 1.25d .11, Ss	2
	29	12273	(00000-) Screw, Hex, M8 X 1.25 X 20, NI, Ss	2

▽ ASSEMBLY

▲ INCLUDED IN ASSEMBLY

RECOVERY TANK GROUP

355459



RECOVERY TANK GROUP

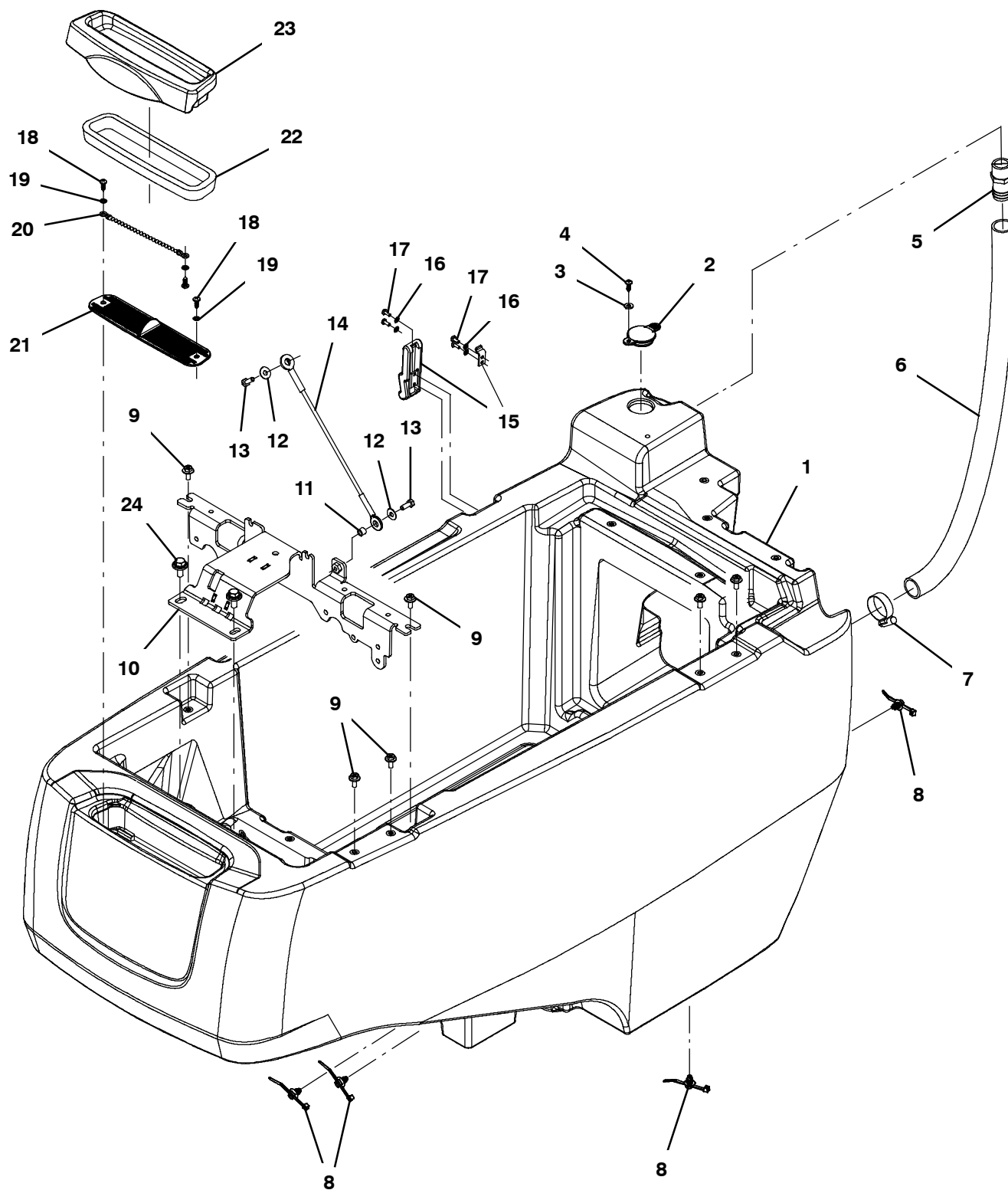
Ref.	Part No.	Serial Number	Description	Qty.
▽	1	9015754	(00000-) Kit, Cover, Recvy, Ci [Ce,T500e]	1
▲	2	1017959	(00000-) Seal, Bulb, Str, 0.50h .50w 032.0l, Adh	1
	3	3701.6	(00000-) Screw, Pan, Phl, 06- 32 X 0.38, Shtmtl,Ss	1
	4	1009168	(00000-) Washer, Flat, 0.17b 0.75d .04, Ss	2
	5	1001005	(00000-) Strap, Retaining, Cover	1
	6	9015762	(00000-) Kit, Tank, Recvy, Ci [Ss500]	1
	7	1021214	(00000-) Tube, Hose, Adapter, 1.5d [T5]	1
	8	1024602	(00000-) Gasket, Neo, .13, 1.97id, 2/3.2bc, Adh	1
	9	01684	(00000-) Washer, Flat, 0.27b 0.69d .05, Ss	7
	10	11329	(00000-) Screw, Hex, M6 X 1.00 X 16, NI, Ss	7
	11	11531	(00000-) Clamp, Hose, Wormdrive, 1.06- 2.00d, .56w	1
	12	1211220	(00000-) Hose Assy,W/2cuff,1.5d 022l 1.5/1.5[Pvc] (Black)	1
▽	13	1228252	(00000-) Hose Assy, Drain, 1.5d 014l 2/1.5cap Pvc (Black)	1
▲	14	1218955	(00000-) Cap, Drain Assy [Black]	1
	15	22297	(00000-) Clamp, Hose, Wormdrive, 1.56- 2.50d, .50w	1
	16	1217669	(00000-) Hinge Assy, 7.0 Pin, 11 Ga, 100l X 105w	2
	17	1034731	(00000-) Screw, Hex, M6 X 1.00 X 16, Sems, Ss	4
	18	100038	(00000-) Gasket, .50, 02.63id 05.75od, Adh [Epdm]	1
▽	19	1219312	(00000-) Fan, Vacuum, 5.7d, 024vdc, 2 Stage	1
▲	20	372883	(00000-) Vr, Brush Kit, Motor, Ele	1
	21	1062016	(00000-) Isolator, Vib, .75d	3
	22	1207368	(00000-) Mount, Vacfan, 5.7/6.6	1
	23	1210807	(00000-) Wire, Tie [W/.25" Fir Tree Clip]	1
	24	1068577	(00000-) Muffler, Exhaust, Vacfan, 150mmI [T2/T3]	1
	25	1011882	(00000-) Seal, Bulb, Str, Snap- In, Epdm, Bulk	1
	26	630052	(00000-) Float, Shut- Off, (2)Ball, 1.75d	1
	27	630053	(00000-) Mount, Cage, Float [20.0 Scrubber]	1
	28	630255	(00000-) Gasket, Float, Mount	1
	29	606915	(00000-) Screw, Pan, Phl, 10- 16 X 0.38, Tcut, Ss	1

▽ ASSEMBLY

▲ INCLUDED IN ASSEMBLY

SOLUTION TANK GROUP

355458

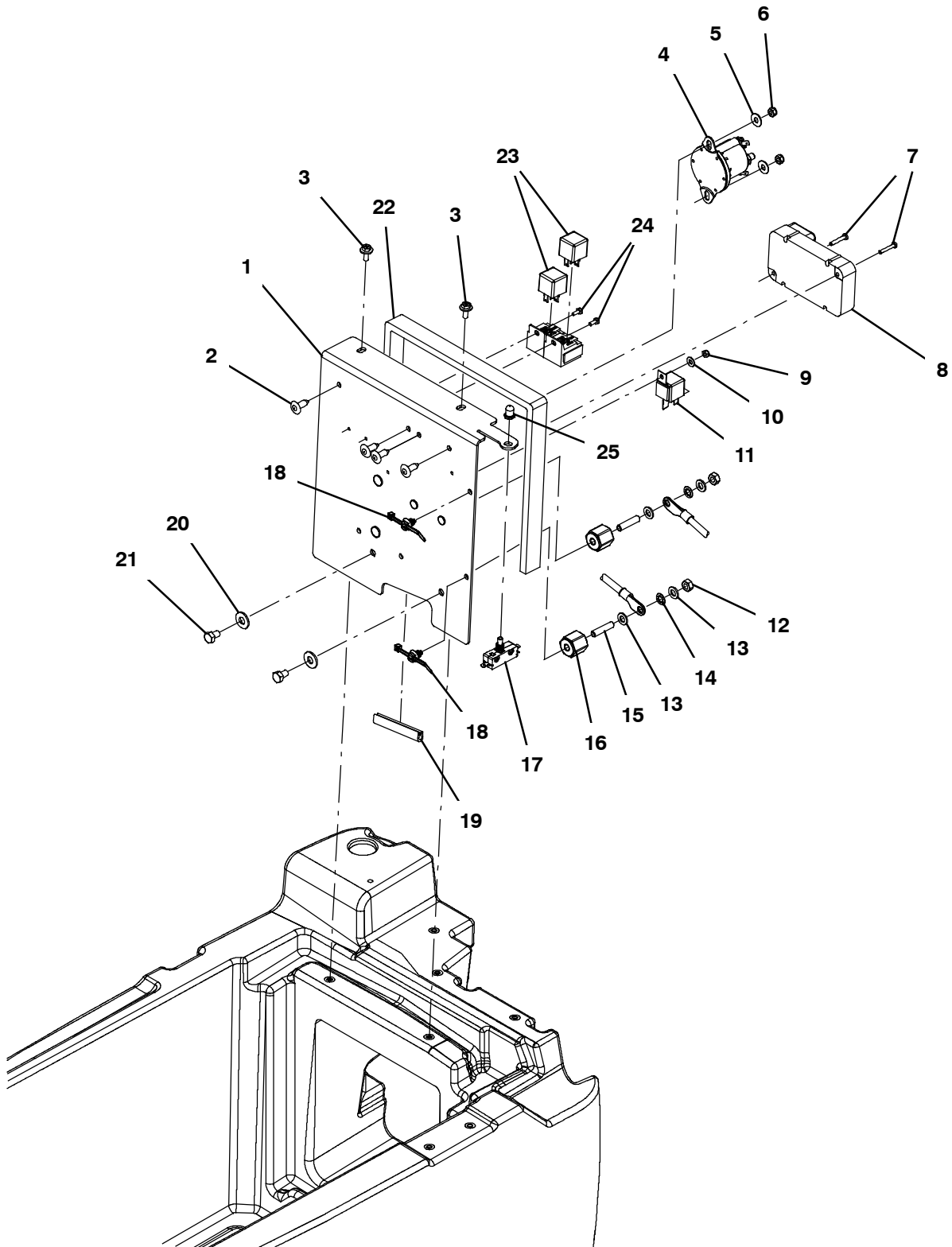


SOLUTION TANK GROUP

Ref.	Part No.	Serial Number	Description	Qty.
1	1220792	(00000-) Tank, Soltn, Rm- Spg, Trimmed [Ss500, A500]	1
2	1012965	(00000-) Cap, Port, Soltn Fill	1
3	01683	(00000-) Washer, Flat, 10, Ss	1
4	1018155	(00000-) Screw, Pan, Phl, M5 X 0.80 X 16, Tcut,Ss	1
5	1041082	(00000-) Fitting, Plstc, Str, Bm16/Pm12	1
6	9015728	(00000-) Hose Kit, Drain, Soln, Ci [T500/T500e]	1
7	11399	(00000-) Clamp, Hose, Wormdrive, 0.81- 1.50d, .50w	1
8	1210807	(00000-) Wire, Tie [W/.25" Fir Tree Clip]	4
9	1034731	(00000-) Screw, Hex, M6 X 1.00 X 16, Sems, Ss	6
10	1221012	(00000-) Bracket Wldt, Actuator	1
11	140154	(00000-) Sleeve, P/M, 0.25b 0.38d 0.3l, PI	1
12	01684	(00000-) Washer, Flat, 0.27b 0.69d .05, Ss	2
13	11329	(00000-) Screw, Hex, M6 X 1.00 X 16, NI, Ss	2
14	1221803	(00000-) Cable, Glv .13d 10.5l .38eye /.38eye	1
15	1207285	(00000-) Latch, Draw, Rbr, W/ Keeper, Yellow	1
16	02938	(00000-) Washer, Lock, Int, 08, Ss	4
17	49697	(00000-) Screw, Pan, Phl, M4 X 0.70 X 10, Ss	4
18	1018155	(00000-) Screw, Pan, Phl, M5 X 0.80 X 16, Tcut,Ss	3
19	07514	(00000-) Washer, Lock, Int, 10, Ss	3
20	621443	(00000-) Chain, Ball, 10, 0157mml, Ss	1
21	1219917	(00000-) Screen, Fltr, 2.0 X 8.7	1
22	9015758	(00000-) Seal, Tank, Soltn, Ci [T500/T500e]	1
23	9015788	(00000-) Kit, Cover, Fill [T500/T500e Ce] (Non- ecH2O Models)	1
23	9015789	(00000-) Kit, Cover, Fill [T500/T500e Ce][Ech2o] (ec- H2O Models)	1
24	1020341	(00000-) Screw, Hex, M8 X 1.25 X 20, Ss, Sems	2

STANDARD ELECTRICAL GROUP

355572

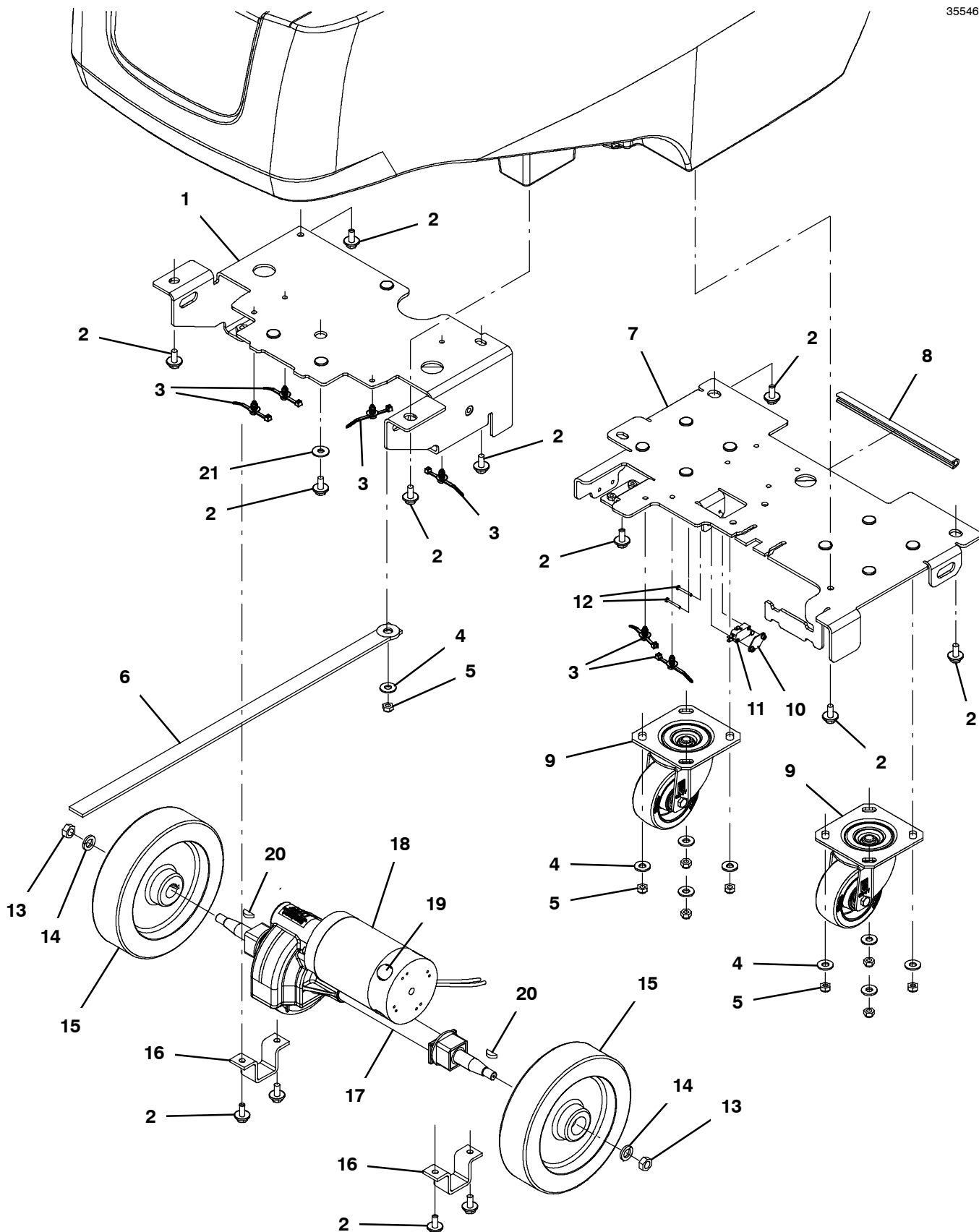


STANDARD ELECTRICAL GROUP

Ref.	Part No.	Serial Number	Description	Qty.
1	1224001	(00000-) Bracket Wldt, Mtg, Ele [T500e]	1
2	140262	(00000-) Clip, Snap- In	4
3	1034731	(00000-) Screw, Hex, M6 X 1.00 X 16, Sems, Ss	2
4	1066409	(00000-) Relay, 24vdc, 150a, No [Trombetta]	1
5	01684	(00000-) Washer, Flat, 0.27b 0.69d .05, Ss	2
6	08712	(00000-) Nut, Hex, Lock, M6 X 1.00, NI, Ss	2
7	1073600	(00000-) Screw, Pan, M4 X 0.7 X 25, Fmg	2
8	9015776	(00000-) Drive Module Kit, Ci	1
9	09739	(00000-) Nut, Hex, Lock, M5 X 0.80, NI, Ss	1
10	01683	(00000-) Washer, Flat, 10, Ss	1
11	1228510	(00000-) Relay, 24vdc, 80a, Spst No, Plug- In	1
12	41361	(00000-) Nut, Hex, Std, M8 X 1.25, Brs	1
13	1209373	(00000-) Washer, Flat, M8.4b X 16d X 1.6, Brs	2
14	43952	(00000-) Washer, Lock, Int, 0.31, Ss	4
15	607461	(00000-) Screw, Set, M8 X 1.25 X 35, NI	2
16	1205345	(00000-) Stand- Off, Wir, M8, Insulator, Panel	2
17	606292	(00000-) Switch, Push, Actuator, 20a	1
18	1210807	(00000-) Wire, Tie [W/.25" Fir Tree Clip]	2
19	1020174	(00000-) Molding, Afrmkt, Trim, Pvc, .08 .11, 03ft	1
20	01685	(00000-) Washer, Flat, 0.38b 0.88d .08, Ss	2
21	386868	(00000-) Screw, Hex, M8 X 1.25 X 12, Ss	2
22	1219045	(00000-) Gasket, Cover, Circuitboard	1
23	49309	(00000-) Relay, 24vdc, 015a, Spdt No	2
24	16944	(00000-) Screw, Hex, M4 X 0.70 X 10, Fmg	2
25	1035711	(00000-) Boot, Switch, Hex Nut, .38- 32 Thd	1

FRAME AND DRIVE GROUP

355467



FRAME AND DRIVE GROUP

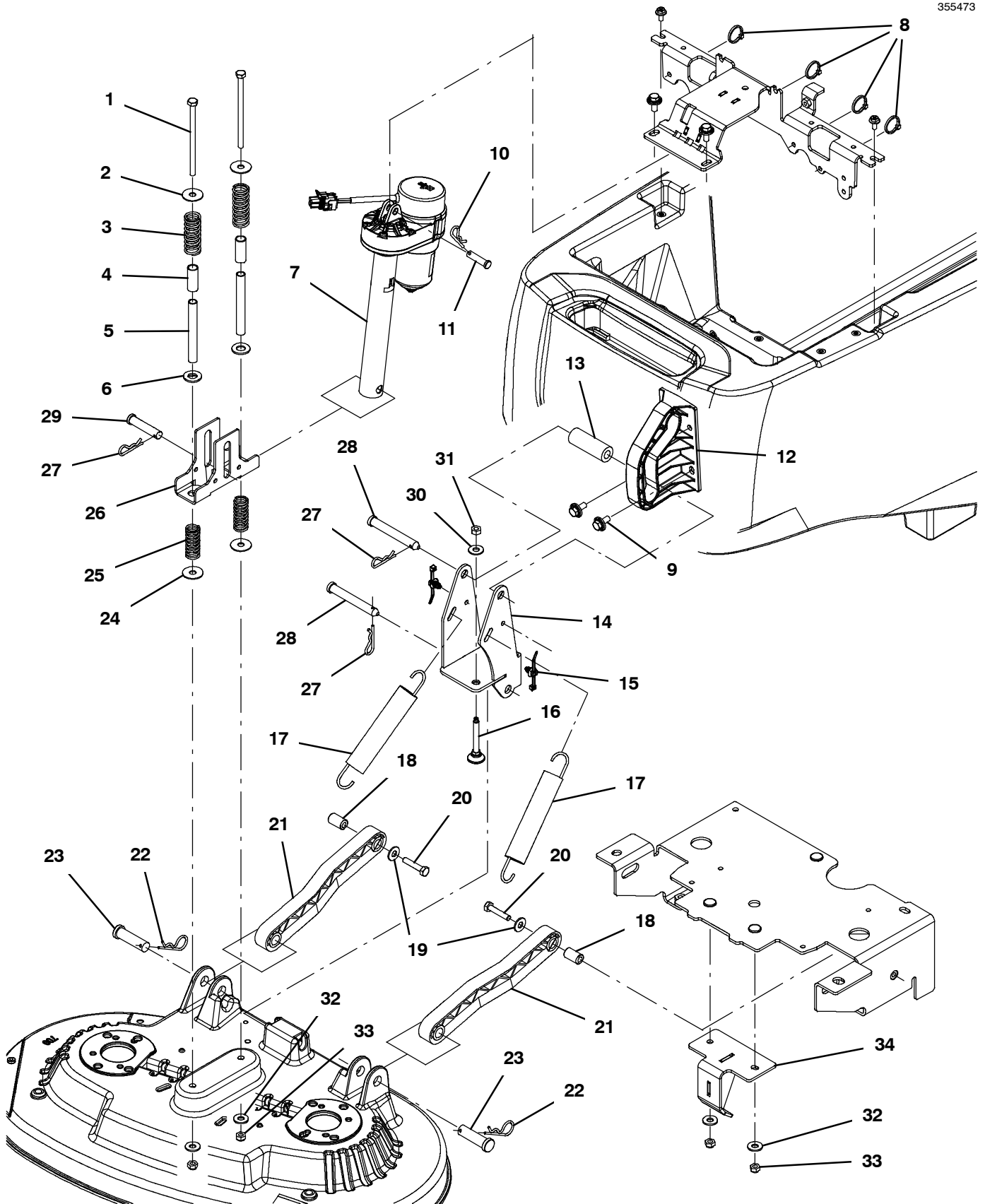
Ref.	Part No.	Serial Number	Description	Qty.	
1	1219118	(00000-) Frame Wldt, Front [T500]	1	
2	1020341	(00000-) Screw, Hex, M8 X 1.25 X 20, Ss, Sems	13	
3	1210807	(00000-) Wire, Tie [W/.25" Fir Tree Clip]	6	
4	01685	(00000-) Washer, Flat, 0.38b 0.88d .08, Ss	11	
5	08713	(00000-) Nut, Hex, Lock, M8 X 1.25, NI, Ss	11	
6	71579	(00000-) Strap, Static, W/Grommet, .19 1.1w 25.0l	1	
7	1219137	(00000-) Frame Wldt, Rear [T500]	1	
8	1020168	(00000-) Molding, Afrmkt, Trim, Pvc, .08 .11, 01ft	1	
9	1212422	(00000-) Caster, Swivel [Wicke 224051]	2	
10	1013705	(00000-) Plate, Thread, Switch, M3 Nut, 96hr PI	1	
11	1215716	(00000-) Switch, 0.1a, Spdt[Micro, Gold Contacts]	1	
12	33933	(00000-) Screw, Pan, Phl, M3 X 0.50 X 25, Ss	2	
13	09741	(00000-) Nut, Hex, Lock, M12 X 1.75, NI, Ss	2	
14	140058	(00000-) Washer, Flat, 0.54b 0.88d .06, Ss [Wand]	2	
▽	9004909	(00000-) Wheel Kit, Solid, Ci [T5 T5e Ss5]	1	
▲	15	1223583	(00000-) Wheel, Scrbr, 213mm, W/ Taper	2
	16	606001	(00000-) Bracket, Mtg, Transaxle, PI [1510, T5]	2
▽	17	1220970	(00000-) Transaxle, Ele, 24vdc, 107rpm [Asi, 4]	1
▲		612874	(00000-) Coupling, Transaxle, Replmt	1
▲		612880	(00000-) Joint, Transaxle, Replmt	1
▲▽	18	1031723	(00000-) Motor, Transaxle, 24vdc, Afrmkt [T5]	1
▲▲	19	614166	(00000-) Brush Kit, Carbon, Transaxle, Replmt [4]	1
▲	20	1021167	(00000-) Key, Woodruff, 5mm	2
	21	39890	(00000-) Washer, Flat, M8, Fendr	1

▽ ASSEMBLY

▲ INCLUDED IN ASSEMBLY

HEAD LIFT GROUP, DISK

355473

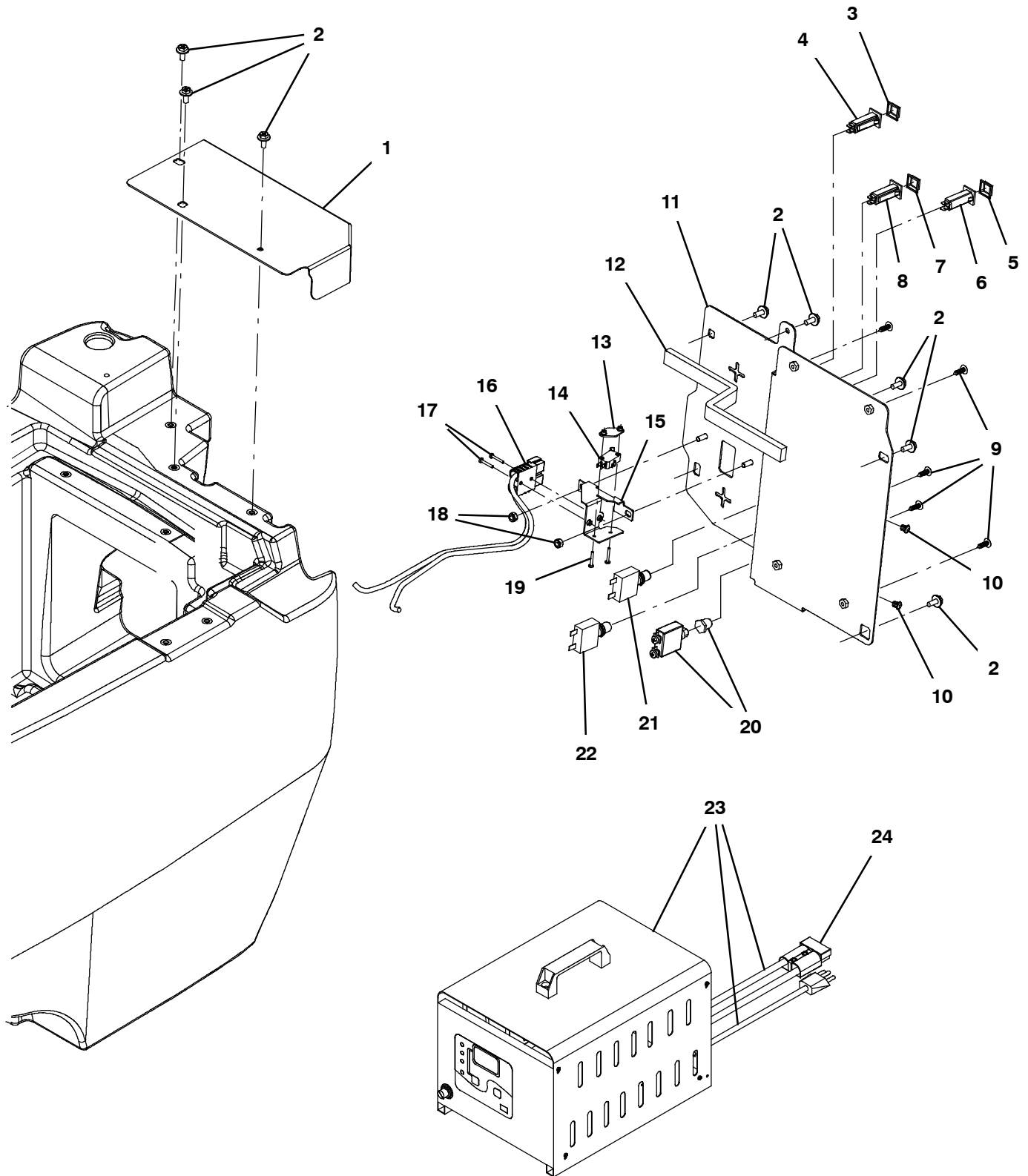


HEAD LIFT GROUP, DISK

Ref.	Part No.	Serial Number	Description	Qty.
1	387431	(00000-) Screw, Hex, M8 X 1.25 X 130, Ss	2
2	32662	(00000-) Washer, Flat, 0.38b 1.22d .06, Ss	2
3	45261	(00000-) Spring, Cmpr, 0.97od .11wir 02.5l	2
4	1224334	(00000-) Sleeve, P/M, 0.51b 0.63d 1.5l, PI	2
5	1219491	(00000-) Sleeve, 0.40id .50d 4.25l, Ss	2
6	32486	(00000-) Washer, Flat, 0.53b 1.06d .10, Stl, PI	2
7	1225246	(00000-) Actuator, 24vdc, 05.5strk, 0600lb[Base]	1
8	130773	(00000-) Tie, Cable, Nyl, 11.0l, .14w, 3.0 Max. D	5
9	1020341	(00000-) Screw, Hex, M8 X 1.25 X 20, Ss, Sems	4
10	140626	(00000-) Pin, Cotter, Hair, 0.25d .125 Wir	1
11	29558	(00000-) Pin, Clevis, 0.37d X 1.50l	1
12	1219912	(00000-) Bracket, Guide, Head[T500]	1
13	1220305	(00000-) Tube, Plstc, 0.51id 0.98od 02.8l	1
14	1221507	(00000-) Pivot Wldt, Head, Scrub [T500]	1
15	1210807	(00000-) Wire, Tie [W/.25" Fir Tree Clip]	2
16	1227530	(00000-) Screw, Leveler, M8x75	1
17	222363	(00000-) Spring, Extn, 1.23od 0.15wir 06.5l	2
18	606056	(00000-) Tube, 0.32id 0.62od 01.0l, Stl, PI	2
19	01685	(00000-) Washer, Flat, 0.38b 0.88d .08, Ss	2
20	74440	(00000-) Screw, Hex, M8 X 1.25 X 40, NI, Ss	2
21	222027	(00000-) Arm, Lift, Head	2
22	02942	(00000-) Pin, Hair, Cotter, 0.62d .120 Wir	2
23	222210	(00000-) Pin, Clevis, 0.62d X 2.12l	2
24	32662	(00000-) Washer, Flat, 0.38b 1.22d .06, Ss	2
25	63185	(00000-) Spring, Cmpr, 0.85od .09wir 02.0l	2
26	1224191	(00000-) Bracket, Spring, Suspension, Head	1
27	140626	(00000-) Pin, Cotter, Hair, 0.25d .125 Wir	3
28	374225	(00000-) Pin, Clevis, 0.50d X 3.75l	2
29	11211	(00000-) Pin, Clevis, 0.50d X 2.25l	1
30	01685	(00000-) Washer, Flat, 0.38b 0.88d .08, Ss	1
31	07786	(00000-) Nut, Hex, Std, M8 X 1.25, Ss	1
32	01685	(00000-) Washer, Flat, 0.38b 0.88d .08, Ss	4
33	08713	(00000-) Nut, Hex, Lock, M8 X 1.25, NI, Ss	4
34	1222374	(00000-) Frame Wldt, Hardstop [T500]	1

LOWER CONSOLE GROUP, OFF- BOARD CHARGER

355524



LOWER CONSOLE GROUP, OFF- BOARD CHARGER

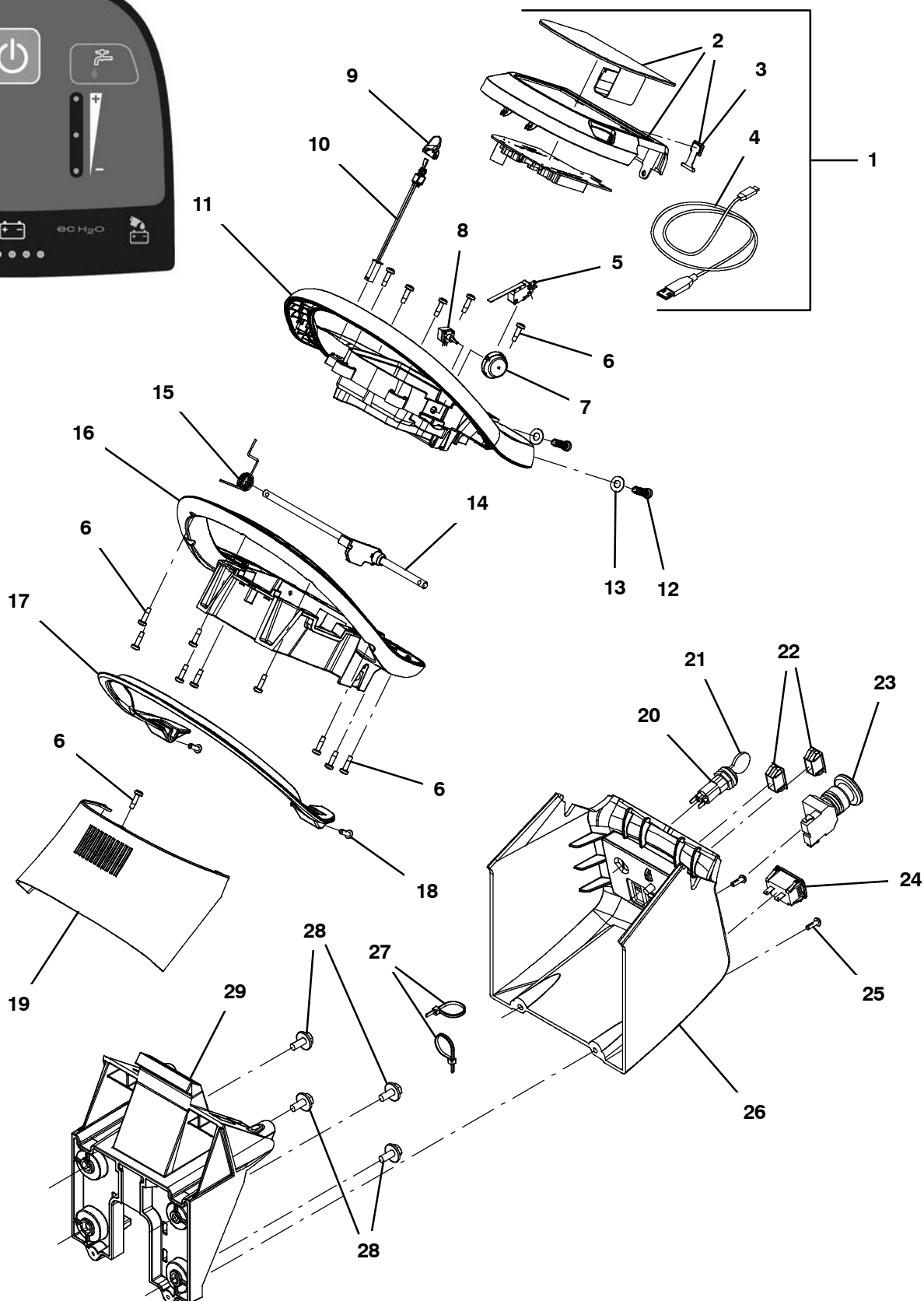
Ref.	Part No.	Serial Number	Description	Qty.	
1	1225401	(00000-) Bracket, Cover, Charger	1	
2	1034731	(00000-) Screw, Hex, M6 X 1.00 X 16, Sems, Ss	8	
3	1064191	(00000-) Boot, Circuitbreaker	1	
4	1208816	(00000-) Circuitbreaker, 04.0a, Resetable (Key Switch)	1	
5	1064191	(00000-) Boot, Circuitbreaker	1	
6	1064187	(00000-) Circuitbreaker, 10.0a, Resetable (Actuator)	1	
7	1064191	(00000-) Boot, Circuitbreaker	1	
8	1064189	(00000-) Circuitbreaker, 20.0a, Resetable (Vacuum Fan)	1	
9	397780	(00000-) Plug, Hole, Rnd, 0.19h 0.7l, Brb, Plstc	5	
10	1202868	(00000-) Clip, Tie, 0.25d, Plstc	2	
11	1225019	(00000-) Bracket Wldt, Charger	1	
12	1046428	(00000-) Seal, Afrmkt, Rbr, Clsd, Adh, 02ft	1	
13	1013705	(00000-) Plate, Thread, Switch, M3 Nut, 96hr PI	1	
14	1215716	(00000-) Switch, 0.1a, Spdt[Micro, Gold Contacts]	1	
15	1225158	(00000-) Bracket Assy, Charger Plug	1	
16	1073634	(00000-) Harness, Chrgr, 12ga [M8 Ring/M8 Ring]	1	
17	06922	(00000-) Screw, Pan, Phl, M3 X 0.50 X 20, 4.8	2	
18	08712	(00000-) Nut, Hex, Lock, M6 X 1.00, NI, Ss	2	
19	06922	(00000-) Screw, Pan, Phl, M3 X 0.50 X 20, 4.8	2	
20	383729	(00000-) Circuitbreaker, 60.0a (I- Drive)	1	
21	383724	(00000-) Circuitbreaker, 25.0a, Resetable (Left Scrub Motor)	1	
22	383724	(00000-) Circuitbreaker, 25.0a, Resetable (Right Scrub Motor)	1	
▽	23	MT29500T	(00000-) Charger Assy, Batt Km 24v/30 A500	1
▲	24	49548	(00000-) Connector, Anderson, 050a, Red	1

▽ ASSEMBLY

▲ INCLUDED IN ASSEMBLY

CONSOLE GROUP

355460



CONSOLE GROUP

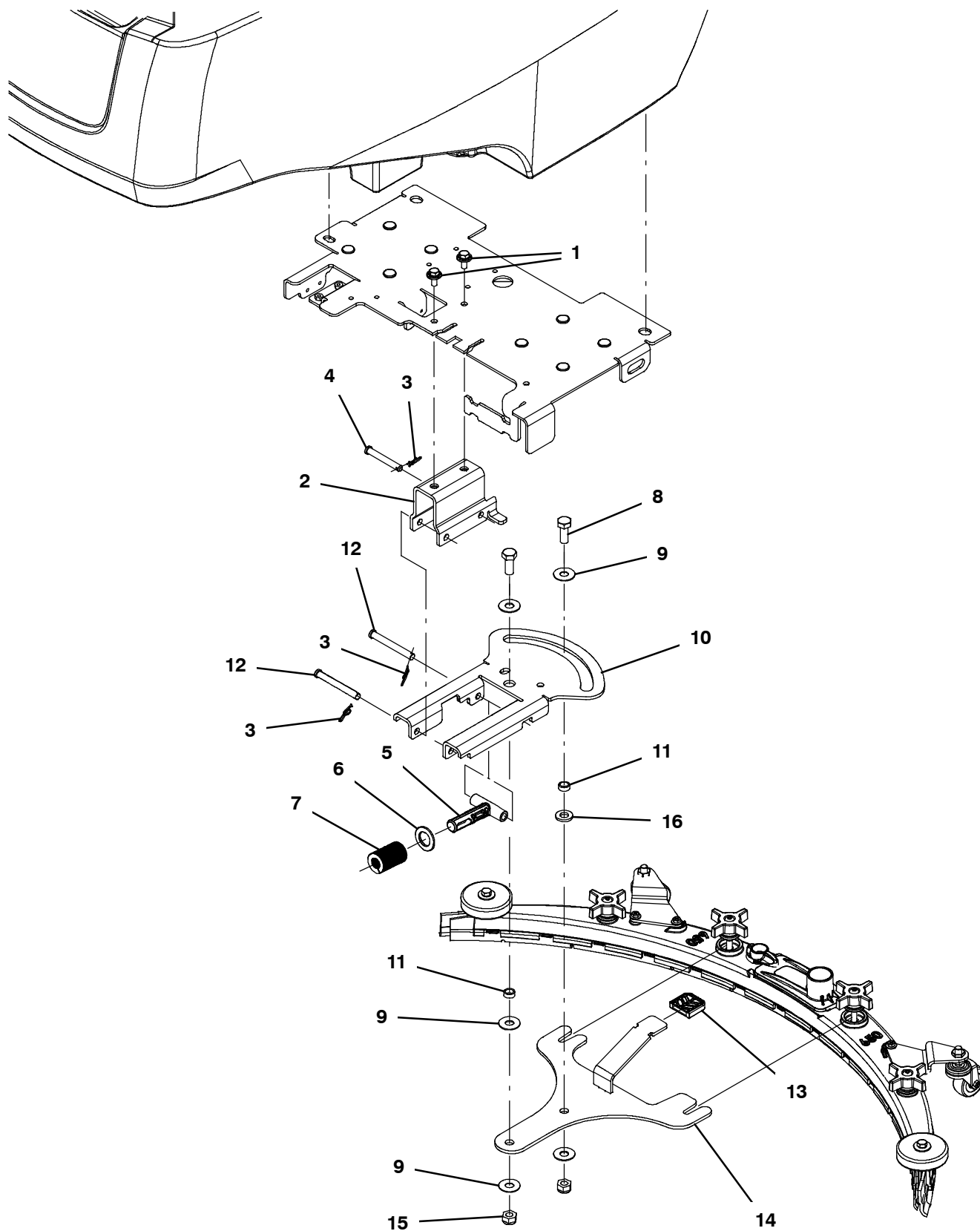
Ref.	Part No.	Serial Number	Description	Qty.
▽	1	9015780	(00000-) Bezel Kit, Membrane [T500e]	1
▲▽	2	9015781	(00000-) Screen Kit [T500e]	1
▲▲	3	1205618	(00000-) Cap, Usb	1
▲	4	1071235	(00000-) Cable [Usb, 2m, A- Male To Mini- B- Male]	1
	5	1205323	(00000-) Switch, 0.1a, Spdt [Micro, Straight]	1
	6	1043573	(00000-) Screw, #10- 14 X 0.675, Spl[Shcs,Selftap]	15
	7	1206586	(00000-) Dial, Range, Speed	1
	8	1204930	(00000-) Potentiometer [100k, 1 Turn, B5/B7]	1
	9	1209730	(00000-) Cap, Toggle, Direction	1
	10	1209673	(00000-) Switch Assy, Toggle, Direction	1
	11	1203787	(00000-) Housing, Handle, Cntrl, Top	2
	12	1215863	(00000-) Screw, Pan, Torx, M8 X 3.5 X 25[Remform]	2
	13	140027	(00000-) Washer, Flat, 0.35b 0.75d .04, Ss	2
	14	1205143	(00000-) Shaft Assy, Bail, Handle	1
	15	1205781	(00000-) Spring, Return, Bail	1
	16	1222608	(00000-) Housing, Handle, Cntrl, Bottom, Slotted	1
	17	1205778	(00000-) Handle, Bail [Machined]	1
	18	1205799	(00000-) Screw, Btn, M5 X 0.8 X 16, 8.8, NI, Torx	2
	19	1207004	(00000-) Cover, Handle, Cntrl	1
▽	20	BV22022	(00000-) Switch, Key	1
▲	21	1017696	(00000-) Key Set, Replmt [F/ Keyswitch 1011402]	1
	22	582150	(00000-) Plug, Hole, Rt, 1.23 X 1.12, Nyl	2
	23	1011735	(00000-) Switch, Safety, Shutoff	1
	24	1064038	(00000-) Gauge, Hourmeter, 05- 277 Volt, Ac / Dc	1
	25	1043573	(00000-) Screw, #10- 14 X 0.675, Spl[Shcs,Selftap]	2
	26	1223019	(00000-) Cover, Console, Lower [T500e]	1
	27	130773	(00000-) Tie, Cable, Nyl, 11.0l, .14w, 3.0 Max. D	2
	28	1020341	(00000-) Screw, Hex, M8 X 1.25 X 20, Ss, Sems	4
	29	1226368	(00000-) Frame, Console, Short, Simplified [Im]	1

▽ ASSEMBLY

▲ INCLUDED IN ASSEMBLY

SQUEEGEE LIFT GROUP

355475

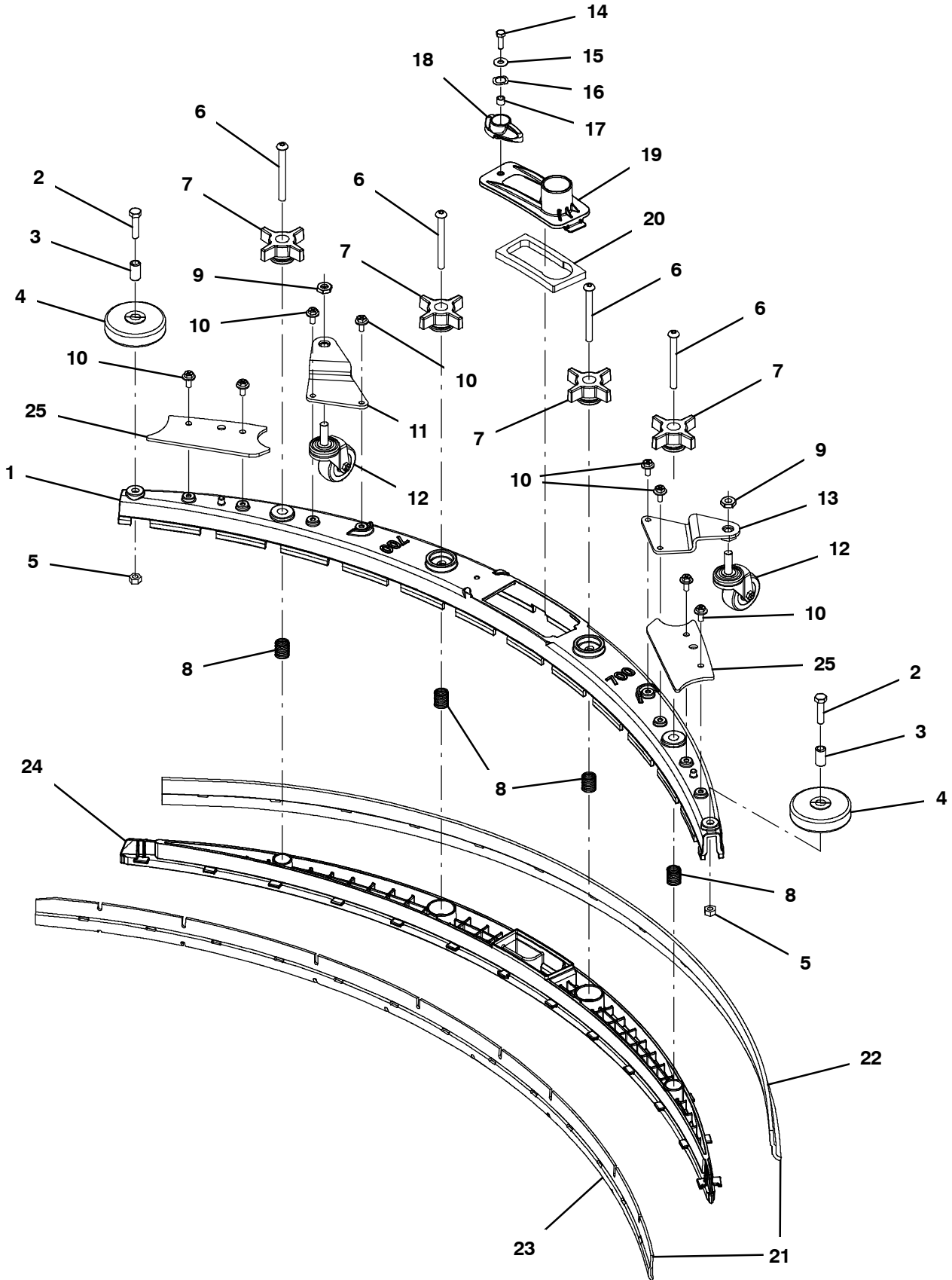


SQUEEGEE LIFT GROUP

Ref.	Part No.	Serial Number	Description	Qty.
1	1020341	(00000-) Screw, Hex, M8 X 1.25 X 20, Ss, Sems	2
2	1221959	(00000-) Bracket, Wldt, Lift, Sqge [T500]	1
3	1216647	(00000-) Pin, Cotter, Hair, 0.38d .054 Wir	3
4	391179	(00000-) Pin, Clevis, 0.37d X 2.62l	1
5	1230368	(00000-) Guide, Spring	1
6	1225960	(00000-) Washer, Thrust, 0.89b 1.50d 0.13w, Bnz	1
7	1228773	(00000-) Spring, Cmpr, 1.25od, .625id, 2.0l	1
8	12309	(00000-) Screw, Hex, M12 X 1.75 X 30, Ss	2
9	140045	(00000-) Washer, Flat, 0.51b 1.25d .06, Ss	5
10	1219466	(00000-) Bracket, Pivot, Sqge [T500]	1
11	1013662	(00000-) Bushing, Sleeve, 12mmb 16mmd 7mml, Pm Yel	2
12	57598	(00000-) Pin, Clevis, 0.37d X 3.25l	2
13	1212533	(00000-) Cover, Pedal, Lift	1
14	1220505	(00000-) Bracket Wldt, Mtg, Sqge [T500]	1
15	09741	(00000-) Nut, Hex, Lock, M12 X 1.75, NI, Ss	2
16	140127	(00000-) Washer, Thrust, 0.51b 1.00d 0.12w, Brz	1

SQUEEGEE ASSEMBLY, 700MM / 28IN

355439



SQUEEGEE ASSEMBLY, 700MM / 28IN

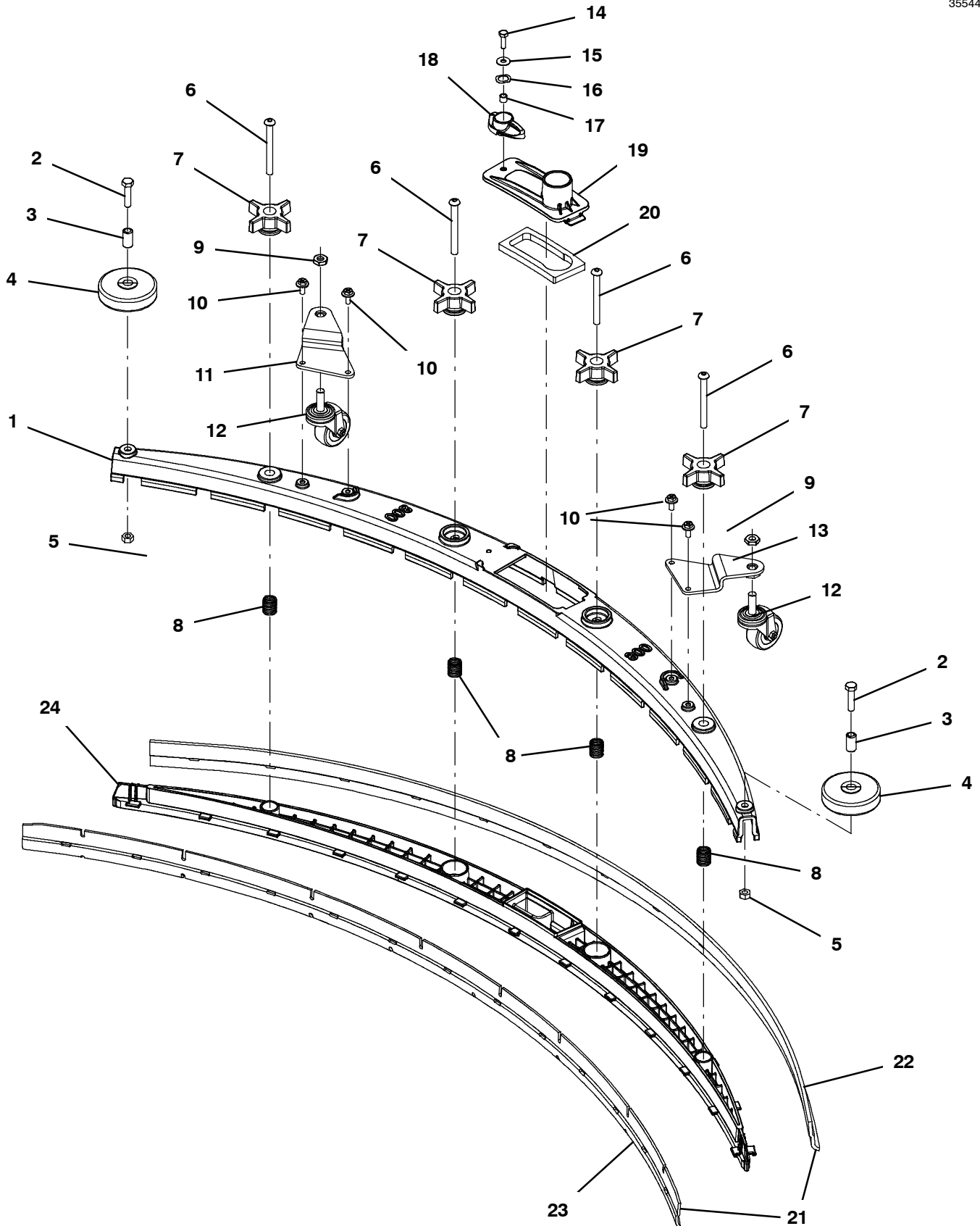
Ref.	Part No.	Serial Number	Description	Qty.
▽	9015302	(00000-) Squeegee Kit, 700mm, Ci	1
▲	1 1220309	(00000-) Frame, Sqge, 70cm, Mach [T500]	1
▲	2 59658	(00000-) Screw, Hex, M8 X 1.25 X 35, NI, Ss	2
▲	3 222496	(00000-) Sleeve, P/M, 0.32b 0.50d 0.9l [430ss]	2
▲	4 222066	(00000-) Wheel, 03.0d 0.88w 0.50b	2
▲	5 07786	(00000-) Nut, Hex, Std, M8 X 1.25, Ss	2
▲	6 1212755	(00000-) Screw, Btn, M8 X 1.25 X 80, Ss	4
▲	7 1230581	(00000-) Knob, Star, 2.75d 4ear, M8x1.25 Fem	4
▲	8 22290	(00000-) Spring, Cmpr, 0.72od .06wir 02.3l	4
▲	9 32716	(00000-) Nut, Hex, Jam, M10 X 1.5, Ss	2
▲	10 1034731	(00000-) Screw, Hex, M6 X 1.00 X 16, Sems, Ss	8
▲	11 1222236	(00000-) Bracket Wldt, Caster, Rh Sqge[T500]	1
▲	12 1006343	(00000-) Caster, Swivel, 50mmd, M10 X 30, Clr PI	2
▲	13 1222001	(00000-) Bracket Wldt, Caster, Lh Sqge [T500]	1
▲	14 12277	(00000-) Screw, Hex, M6 X 1.00 X 20, NI, Ss	1
▲	15 01684	(00000-) Washer, Flat, 0.27b 0.69d .05, Ss	1
▲	16 140060	(00000-) Washer, Wave- Spring, .505 .750 .045	1
▲	17 140154	(00000-) Sleeve, P/M, 0.25b 0.38d 0.3l, PI	1
▲	18 1222109	(00000-) Knob, Sqge, 58l, M6 X 1.00, Plstc	1
▲	19 1209631	(00000-) Cover, Trap, Water, Sqge	1
▲	20 1210756	(00000-) Gasket, Trap, Water, Sqge	1
▲▽	21 9015737	(00000-) Blade Kit, 700mm, Linatex/Linard (Standard)	1
▲▲	22 1221572	(00000-) Blade, Sqge, Rear, 1204l, Linatex[700mm] (Standard)	1
▲▲	23 1232679	(00000-) Blade, Sqge, Front, 1148l Linard[700mm] (Standard)	1
▲	24 1220783	(00000-) Retainer, Sqge, 70cm [T500]	1
▲	25 1230738	(00000-) Bracket, Sqge Bumper	2
▽	21 9015738	(00000-) Blade Kit, 700mm, Urethane (Option)	1
▲	22 1228904	(00000-) Blade, Sqge, Rear, 1204l,Urethane[700mm] (Option)	1
▲	23 1228906	(00000-) Blade, Sqge, Front,1148l Urethane[700mm] (Option)	1
▽	21 9015736	(00000-) Blade Kit, 700mm, Gum (Option)	1
▲	22 1228905	(00000-) Blade, Sqge, Rear, 1204l, Gum[700mm] (Option)	1
▲	23 1228907	(00000-) Blade, Sqge, Front, 1148l Gum[700mm] (Option)	1

▽ ASSEMBLY

▲ INCLUDED IN ASSEMBLY

SQUEEGEE ASSEMBLY, 800MM / 32IN

355440



SQUEEGEE ASSEMBLY, 800MM / 32IN

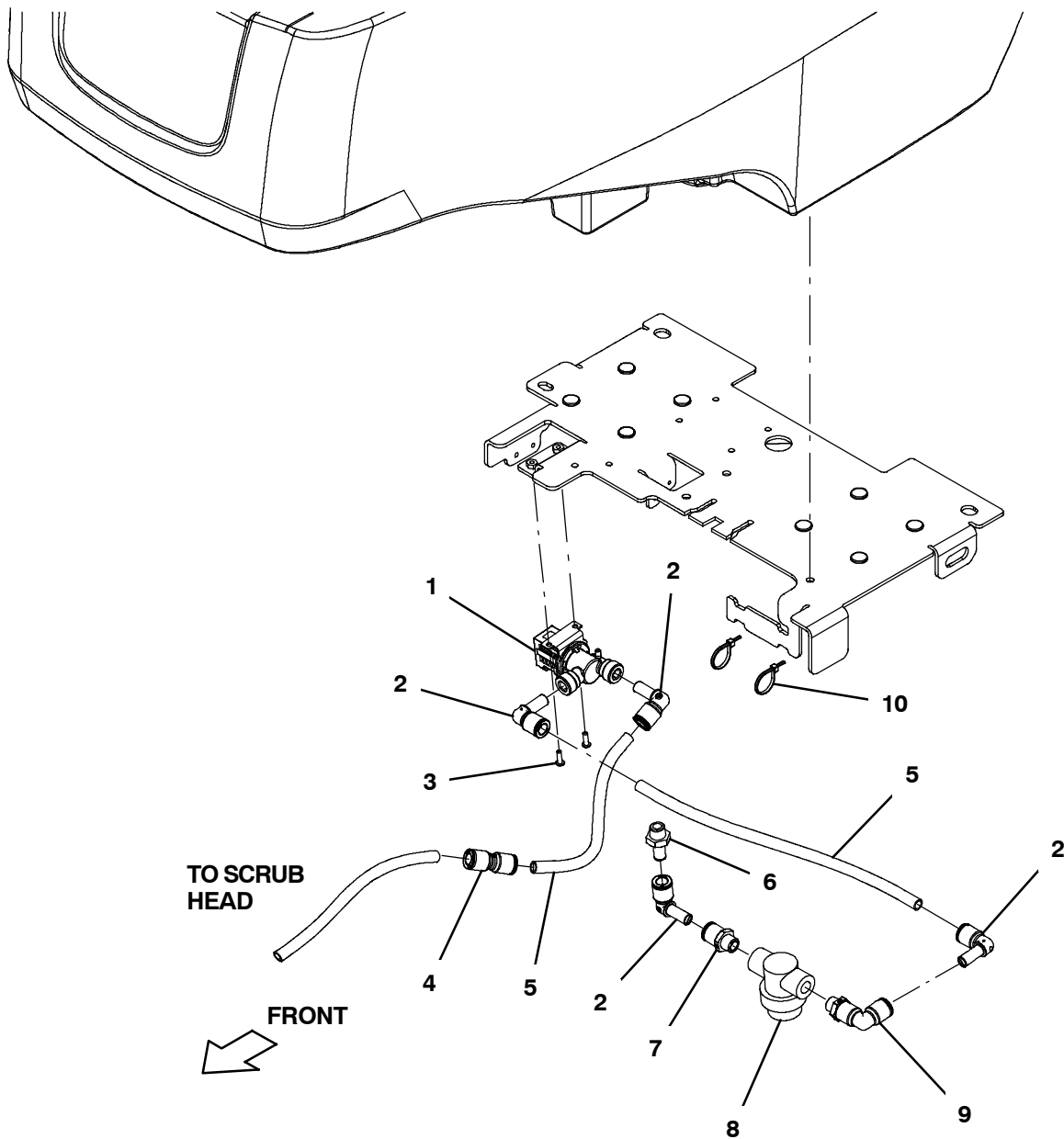
Ref.	Part No.	Serial Number	Description	Qty.
▽	9015303	(00000-) Squeegee Kit, 800mm, Ci	1
▲	1 1219894	(00000-) Frame, Sqge, 80cm, Mach [T500]	1
▲	2 59658	(00000-) Screw, Hex, M8 X 1.25 X 35, NI, Ss	2
▲	3 222496	(00000-) Sleeve, P/M, 0.32b 0.50d 0.9l [430ss]	2
▲	4 222066	(00000-) Wheel, 03.0d 0.88w 0.50b	2
▲	5 07786	(00000-) Nut, Hex, Std, M8 X 1.25, Ss	2
▲	6 1212755	(00000-) Screw, Btn, M8 X 1.25 X 80, Ss	4
▲	7 1230581	(00000-) Knob, Star, 2.75d 4ear, M8x1.25 Fem	4
▲	8 22290	(00000-) Spring, Cmpr, 0.72od .06wir 02.3l	4
▲	9 32716	(00000-) Nut, Hex, Jam, M10 X 1.5, Ss	2
▲	10 1034731	(00000-) Screw, Hex, M6 X 1.00 X 16, Sems, Ss	8
▲	11 1222236	(00000-) Bracket Wldt, Caster, Rh Sqge[T500]	1
▲	12 1006343	(00000-) Caster, Swivel, 50mmd, M10 X 30, Clr PI	2
▲	13 1222001	(00000-) Bracket Wldt, Caster, Lh Sqge [T500]	1
▲	14 12277	(00000-) Screw, Hex, M6 X 1.00 X 20, NI, Ss	1
▲	15 01684	(00000-) Washer, Flat, 0.27b 0.69d .05, Ss	1
▲	16 140060	(00000-) Washer, Wave- Spring, .505 .750 .045	1
▲	17 140154	(00000-) Sleeve, P/M, 0.25b 0.38d 0.3l, PI	1
▲	18 1222109	(00000-) Knob, Sqge, 58l, M6 X 1.00, Plstc	1
▲	19 1209631	(00000-) Cover, Trap, Water, Sqge	1
▲	20 1210756	(00000-) Gasket, Trap, Water, Sqge	1
▲▽	21 9015740	(00000-) Blade Kit, 800mm, Linatex/Linard (Standard)	1
▲▲	22 1221115	(00000-) Blade, Sqge, Rear, 1306l, Linatex[800mm] (Standard)	1
▲▲	23 1232681	(00000-) Blade, Sqge, Front, 1256l Linard[800mm] (Standard)	1
▲	24 1219405	(00000-) Retainer, Sqge, 80cm [T500]	1
▲	25 1230738	(00000-) Bracket, Sqge Bumper	2
▽	21 9015741	(00000-) Blade Kit, 800mm, Urethane (Option)	1
▲	22 1228920	(00000-) Blade, Sqge, Rear, 1306l,Urethane[800mm] (Option)	1
▲	23 1228922	(00000-) Blade, Sqge, Front,1256l Urethane[800mm] (Option)	1
▽	21 9015739	(00000-) Blade Kit, 800mm, Gum (Option)	1
▲	22 1228921	(00000-) Blade, Sqge, Rear, 1306l, Gum[800mm] (Option)	1
▲	23 1228923	(00000-) Blade, Sqge, Front, 1256l Gum[800mm] (Option)	1

▽ ASSEMBLY

▲ INCLUDED IN ASSEMBLY

STANDARD SOLUTION GROUP

355468



STANDARD SOLUTION GROUP

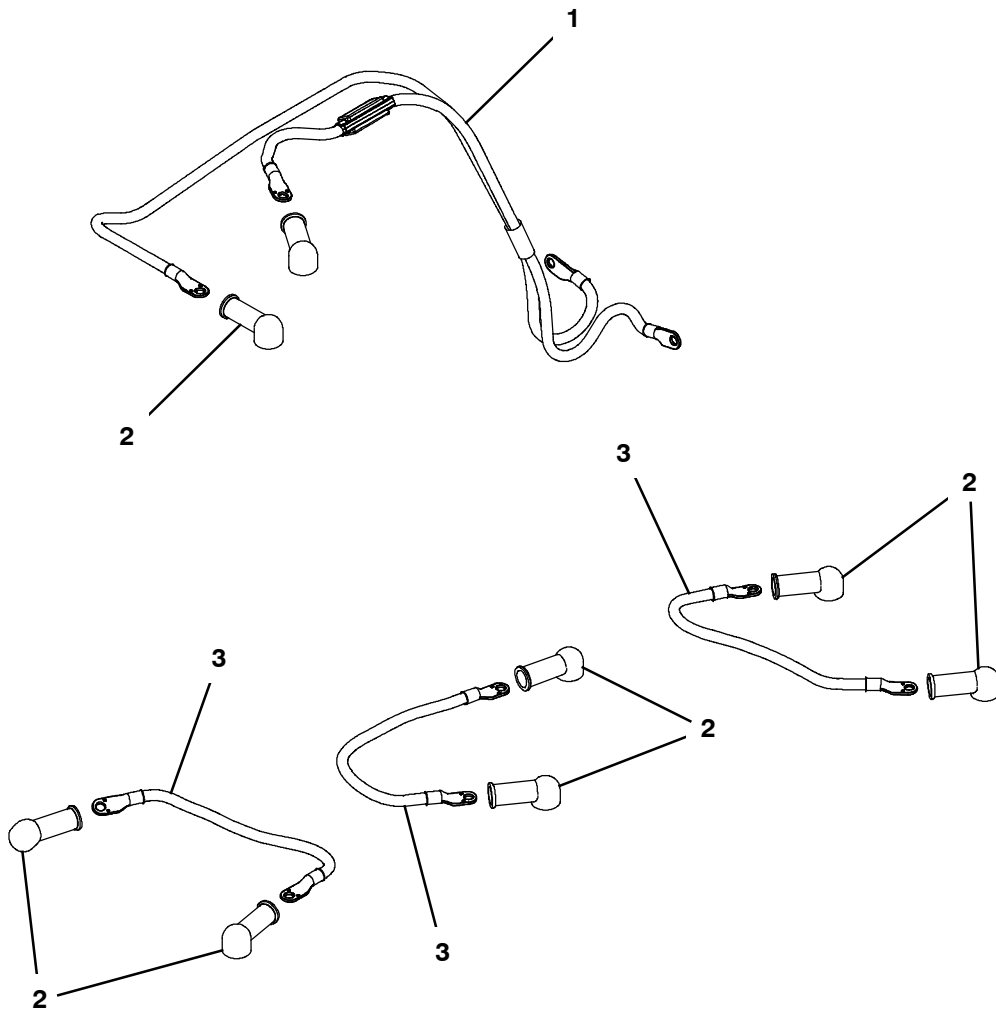
Ref.	Part No.	Serial Number	Description	Qty.	
1	1211424	(00000-) Valve, Water, Solenoid, 24vdc Qf08/Qf08	1	
2	1212809	(00000-) Fitting, Plstc, E90, Qf08/Qm08	4	
3	1205799	(00000-) Screw, Btn, M5 X 0.8 X 16, 8.8, NI, Torx	2	
4	1212859	(00000-) Fitting, Plstc, Str, Qf08/Qf08	1	
5	9014145	(00000-) Hose, Afrmkt, Pe, .375id .50od, 05ft	1	
6	1227552	(00000-) Fitting, Plstc, Str, Qm08/Pm06	1	
7	1212813	(00000-) Fitting, Plstc, Str, Qf08/Pm06	1	
▽	8	1211537	(00000-) Filter, In- Line, Pf06/Pf06 080m 2.6l Epd	1
▲		1218885	(00000-) Gasket [Epdm, F/1211537]	1
▲		1218883	(00000-) Screen, Fltr, 80 Mesh, Ss [W/ Cage]	1
▲		613991	(00000-) Bowl, Clr, Short, F/1005302	1
	9	1212987	(00000-) Fitting, Plstc, E90, Qf08/Pm06, Swivel	1
	10	130773	(00000-) Tie, Cable, Nyl, 11.0l, .14w, 3.0 Max. D	2

▽ ASSEMBLY

▲ INCLUDED IN ASSEMBLY

STANDARD BATTERY CABLES GROUP

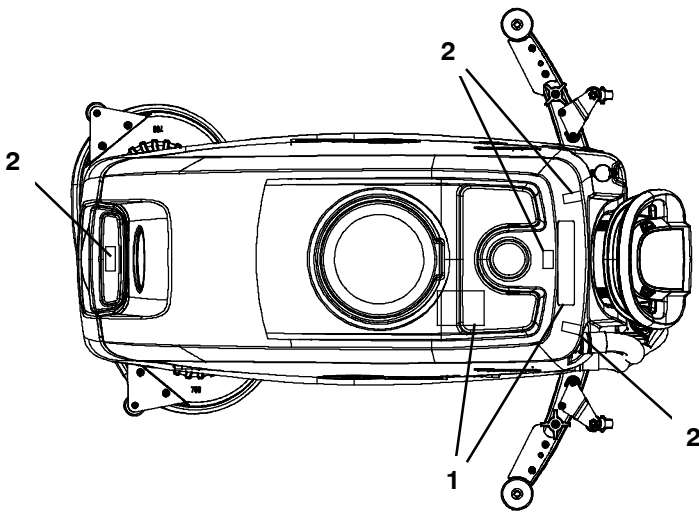
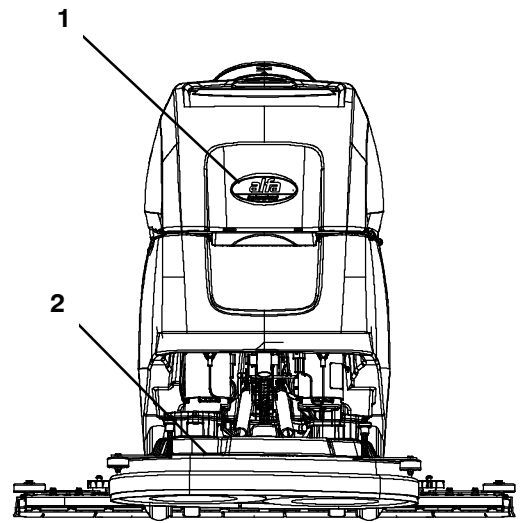
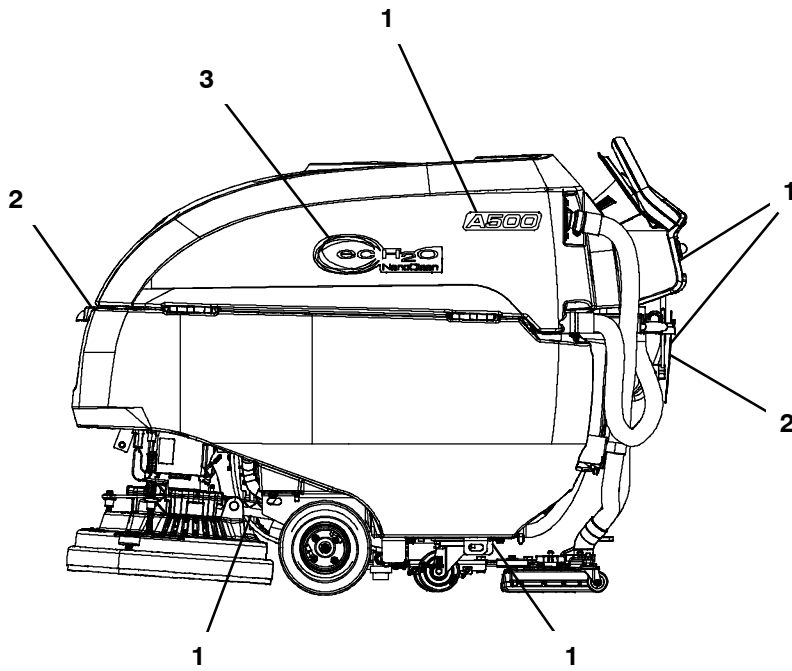
355463



Ref.	Part No.	Serial Number	Description	Qty.
1	1074942	(00000-) Cable, Assy [T500,T500e]	1
2	611221	(00000-) Boot, Terminal, Battery, 25.4mm, Blk	8
3	1073680	(00000-) Cable, 04ga 15.0l Blk [M8 Ring/M8 Ring]	3

LABEL GROUP

355523



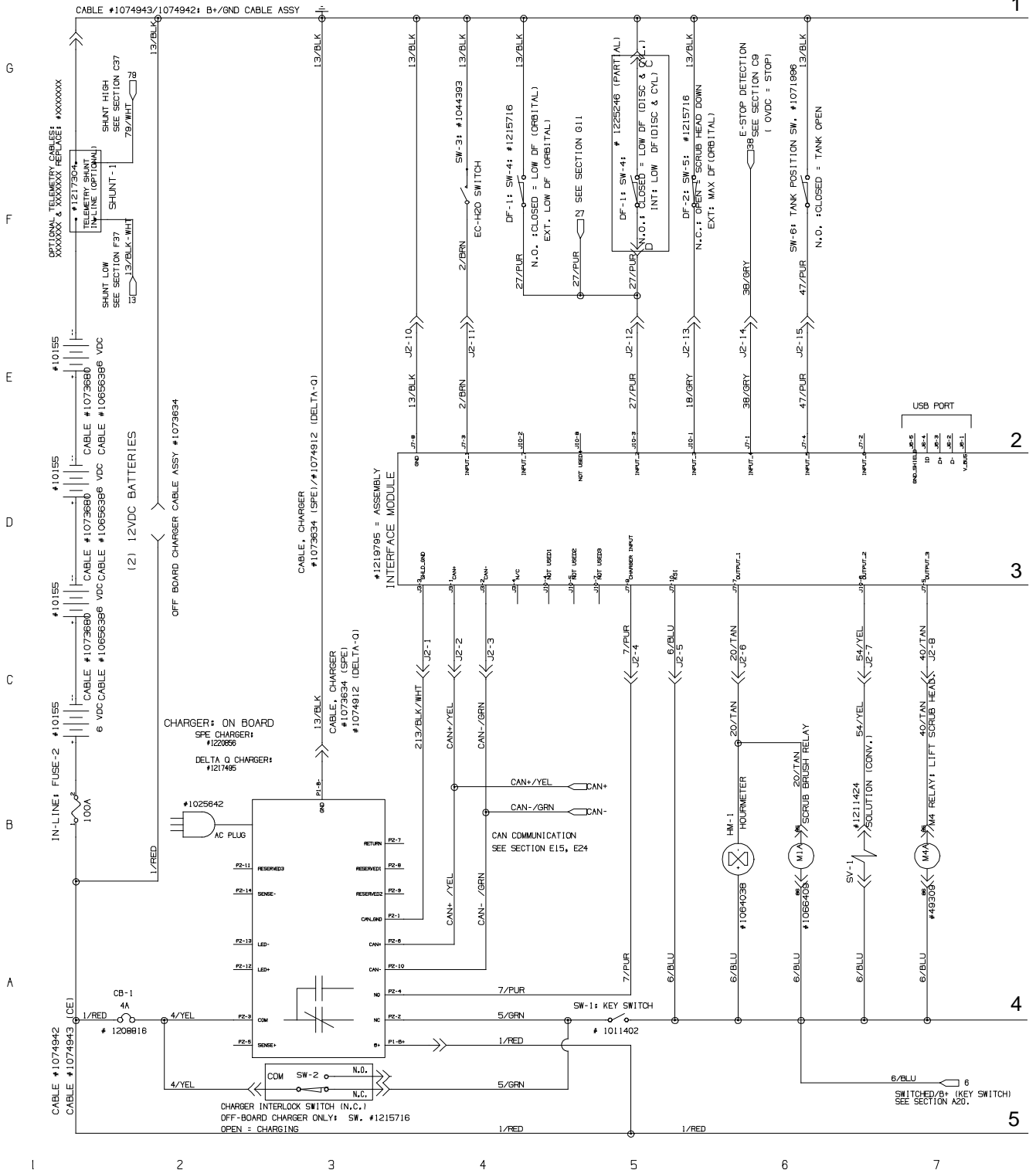
Ref.	Part No.	Serial Number	Description	Qty.
1	1233521	(00000-) Label Sheet, Operational [A500]	2
2	1220963	(00000-) Label Sheet, Info/Hzrd [T500, Ce]	1
3	1216533	(00000-) Label, Logo [Ech2o Nano Nobles]	2

ELECTRICAL DIAGRAM (PAGE 1 OF 4)

1075167_00

BATTERY /
CHARGER
SYSTEMS

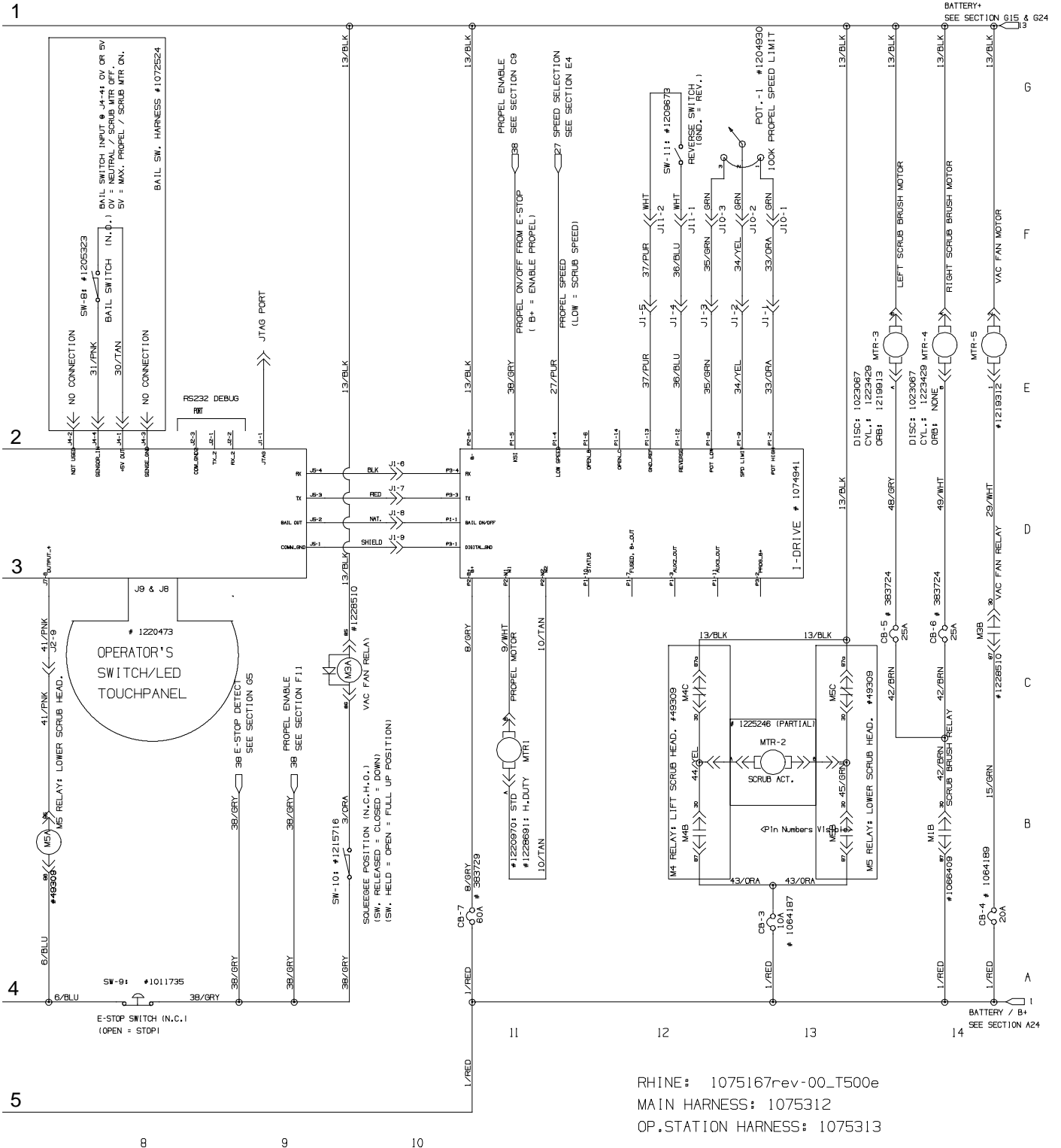
BASE CONTROL
MODULE



ELECTRICAL DIAGRAM (PAGE 2 OF 4)

1075167_00

PROPEL SYSTEM



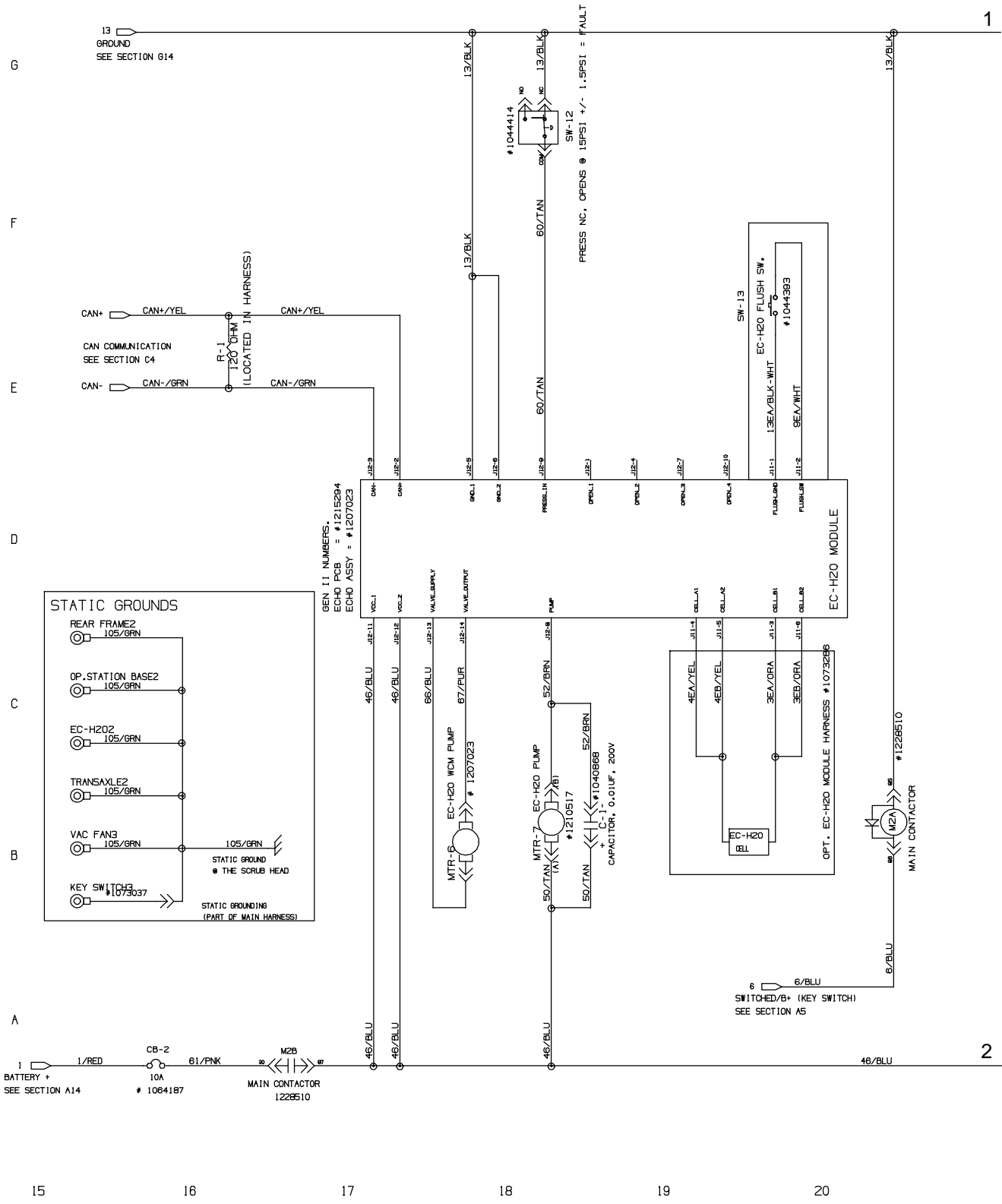
RHINE: 1075167rev-00_T500e
 MAIN HARNESS: 1075312
 OP.STATION HARNESS: 1075313

ELECTRICAL DIAGRAM (PAGE 3 OF 4)

1075167_00

EC-H2O MODULE

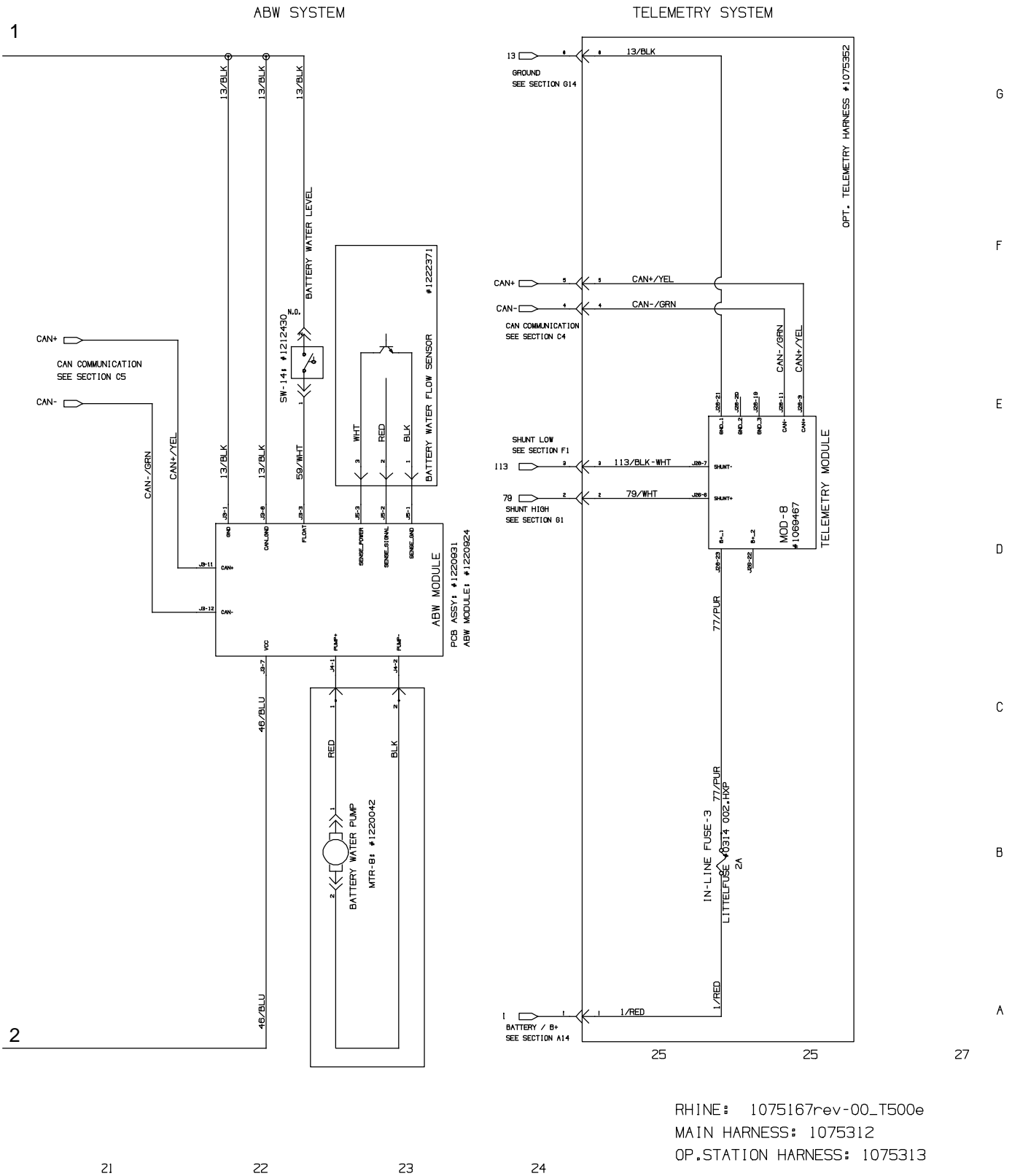
1



2

ELECTRICAL DIAGRAM (PAGE 4 OF 4)

1075167_00



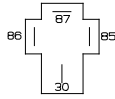
RHINE: 1075167rev-00_T500e
 MAIN HARNESS: 1075312
 OP. STATION HARNESS: 1075313

ELECTRICAL HARNESS, MAIN (PAGE 1 OF 6)

1075312_00

TO: M2: MAIN RELAY		TO: M3: VAC FAN RELAY	
WIRE NO.	REF. RELAY	WIRE NO.	REF. RELAY
61/PNK	30	29/WHT	30
13H/BLK	85	13J/BLK	85
46/BLU	87	15/GRN	87
6H/BLU	86	3/ORA	86

BACK VIEW OF "AP".
WHERE WIRES ENTER.



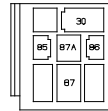
TO: STATIC GND. NO LABEL

TO: M4: SCRUB HEAD ACT. LABEL (1): M4: SCRUB HEAD ACT.

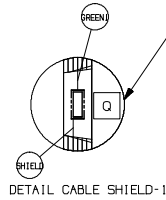
WIRE NO.	REF. RELAY
44/YEL	30
40/YAN	85
13E/BLK	87A
43A/ORA	87
6E/BLU	86

WIRE NO.	REF. RELAY
45/GRN	30
41/PNK	85
13F/BLK	87A
43B/ORA	87
6F/BLU	86

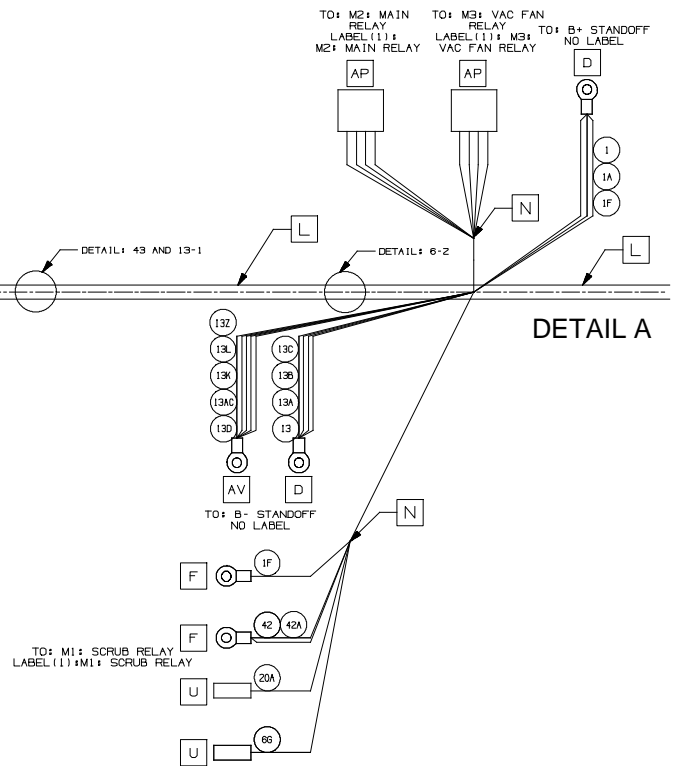
TO: M5: SCRUB HEAD ACT. LABEL (1): M5: SCRUB HEAD ACT.



BACK VIEW OF "E".
WHERE WIRES ENTER.



- NOTE:
- REMOVE CABLE COVERING ABOVE THIS POINT.
 - SPLICE SHIELD TO THE SHIELD/GREEN WIRE.
 - ROUTE THE (4) WIRES UP TO THE SPECIFIED CONNECTORS.
 - COVER THE EXPOSED END OF THE CABLE COVER WITH DEFINED HEATSHRINK.



ELECTRICAL HARNESS, MAIN (PAGE 2 OF 6)

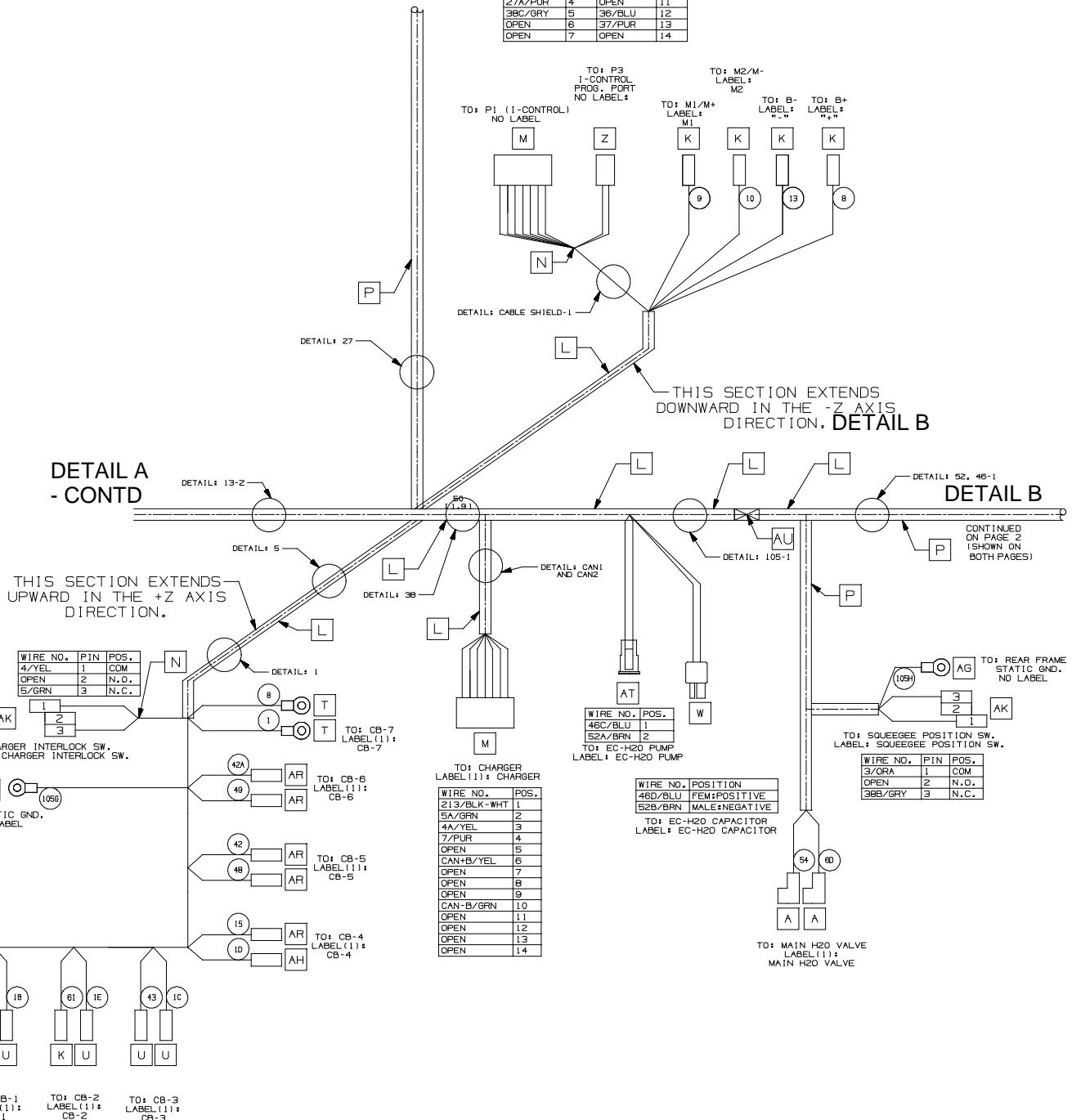
1075312_00

CONTINUED ON PAGE 3 (SHOWN ON BOTH PAGES)

DETAIL C

M		Z	
WIRE NO.	POS.	WIRE NO.	POS.
CABLE: NATURAL	1	35/GRN	8
33/ORA	2	34/YEL	9
OPEN	3	OPEN	10
27A/PUR	4	OPEN	11
38C/GRY	5	36/BLU	12
OPEN	6	37/PUR	13
OPEN	7	OPEN	14

WIRE NO.	POS.
SHIELD: GREEN	1
OPEN	2
CABLE: RED	3
CABLE: BLACK	4



DETAIL A - CONTD

DETAIL B

DETAIL C

WIRE NO.	PIN	POS.
4/YEL	1	COM
OPEN	2	N.O.
5/GRN	3	N.C.

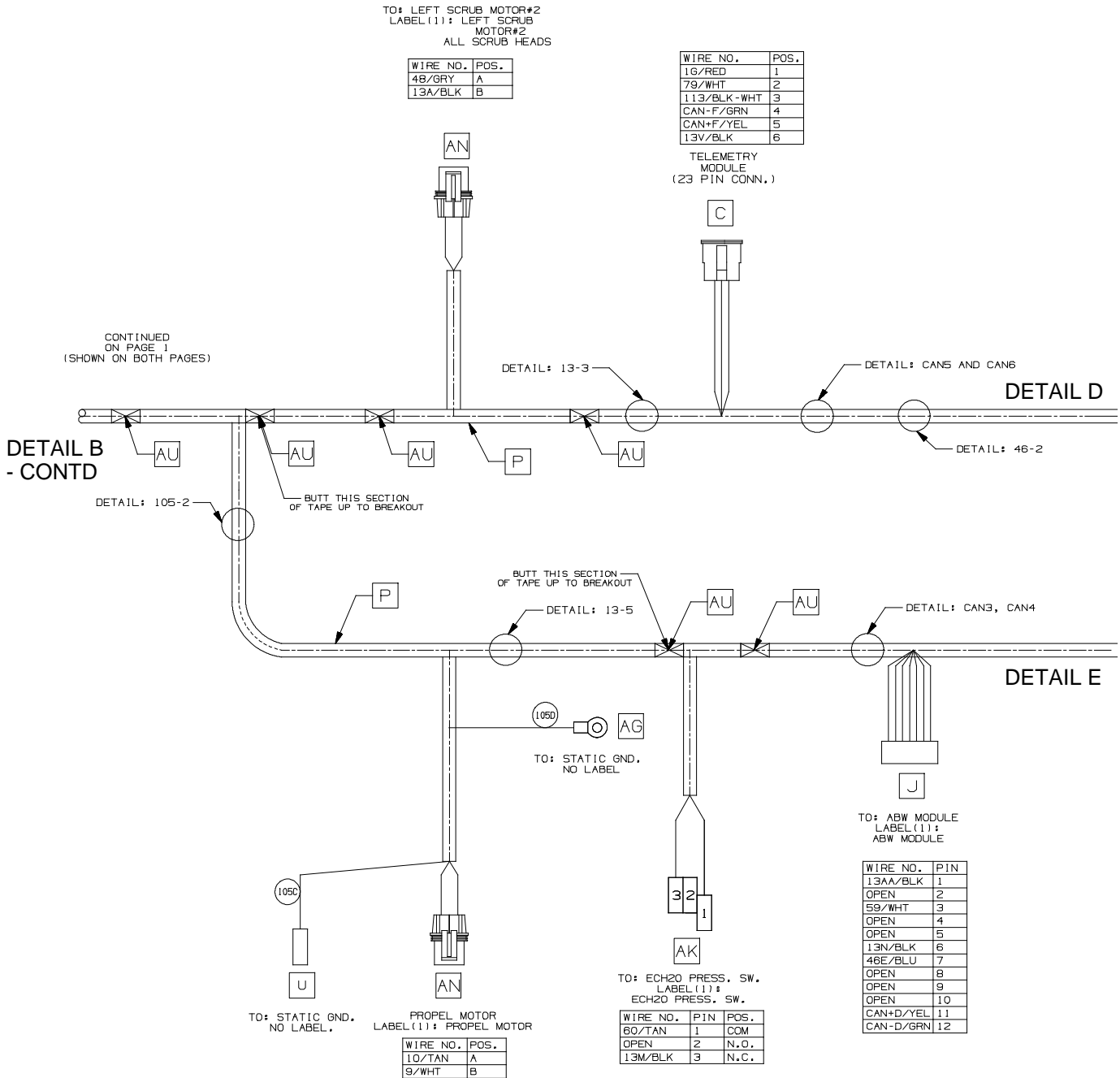
WIRE NO.	POS.
213/BLK-WHT	1
5A/GRN	2
4A/YEL	3
7/PUR	4
OPEN	5
CAN+B/YEL	6
OPEN	7
OPEN	8
OPEN	9
CAN-B/GRN	10
OPEN	11
OPEN	12
OPEN	13
OPEN	14

WIRE NO.	POSITION
48D/BLU	FEM+POSITIVE
52B/BRN	MALE+NEGATIVE

WIRE NO.	PIN	POS.
3/ORA	1	COM
OPEN	2	N.O.
38B/GRY	3	N.C.

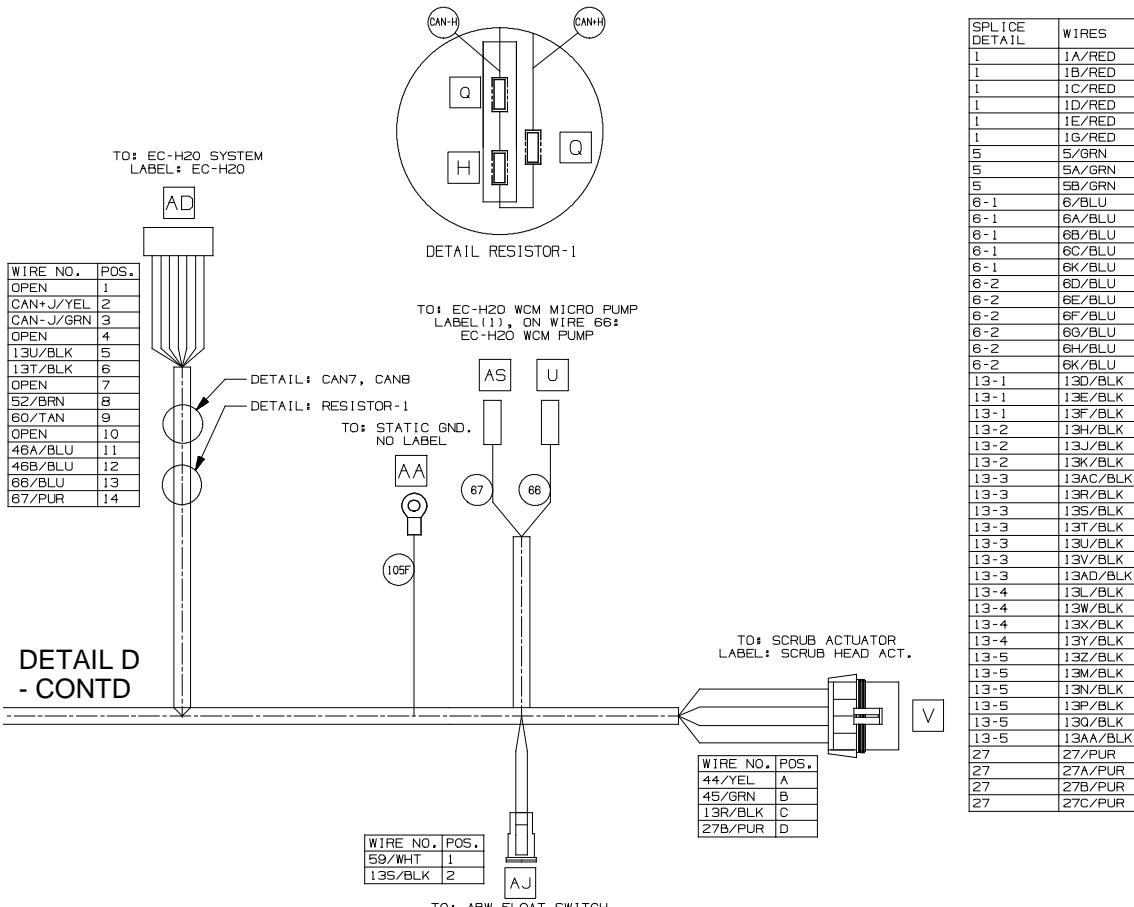
ELECTRICAL HARNESS, MAIN (PAGE 3 OF 6)

10745312_00



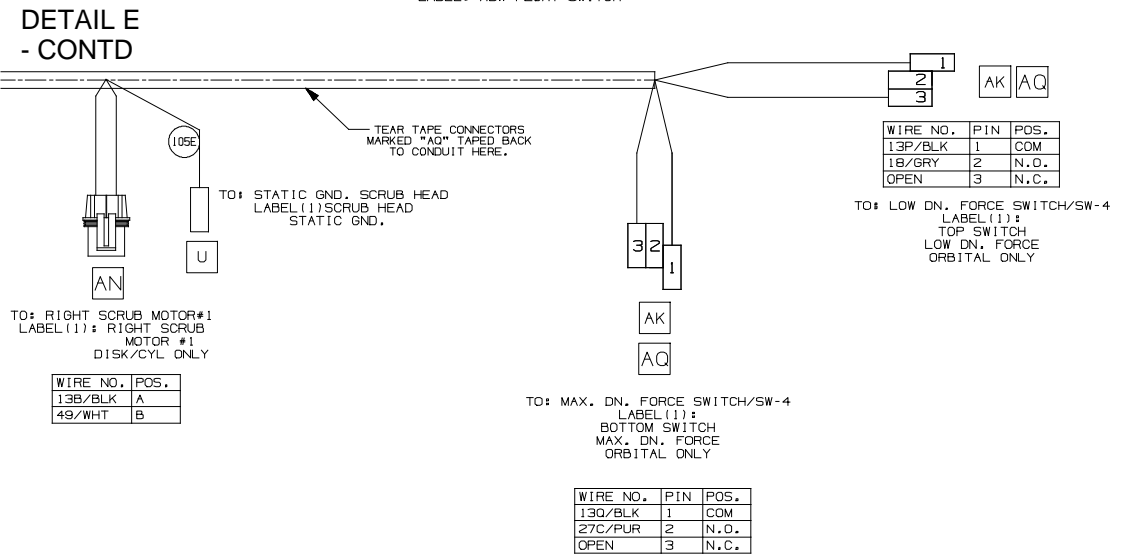
ELECTRICAL HARNESS, MAIN (PAGE 4 OF 6)

1075312_00



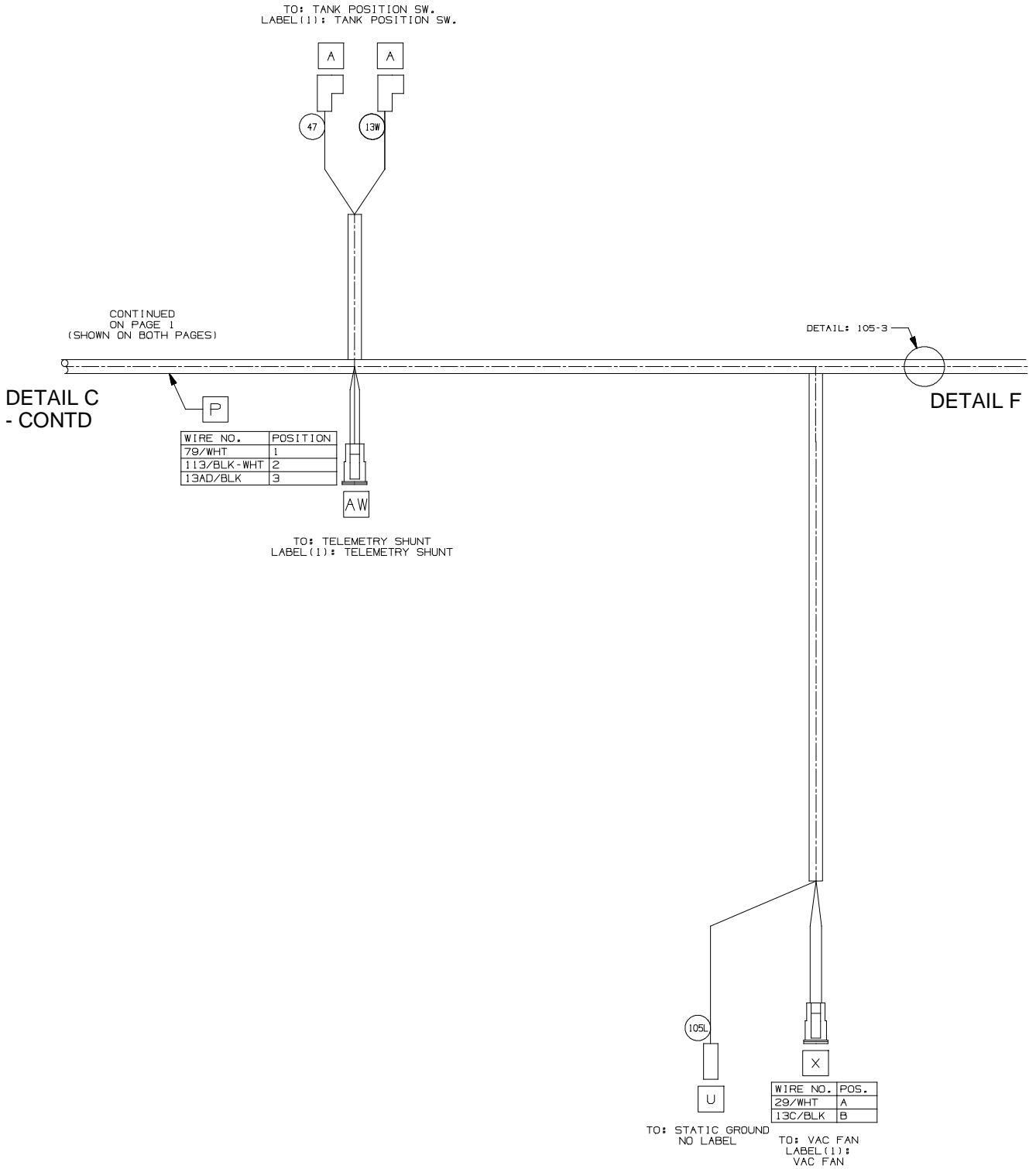
SPLICE DETAIL	WIRES
1	1A/RED
1	1B/RED
1	1C/RED
1	1D/RED
1	1E/RED
1	1G/RED
5	5/GRN
5	5A/GRN
5	5B/GRN
6-1	6/BLU
6-1	6A/BLU
6-1	6B/BLU
6-1	6C/BLU
6-1	6K/BLU
6-2	6D/BLU
6-2	6E/BLU
6-2	6F/BLU
6-2	6G/BLU
6-2	6H/BLU
6-2	6K/BLU
13-1	13D/BLK
13-1	13E/BLK
13-1	13F/BLK
13-2	13H/BLK
13-2	13J/BLK
13-2	13K/BLK
13-3	13AC/BLK
13-3	13R/BLK
13-3	13S/BLK
13-3	13T/BLK
13-3	13U/BLK
13-3	13V/BLK
13-3	13AD/BLK
13-4	13L/BLK
13-4	13W/BLK
13-4	13X/BLK
13-4	13Y/BLK
13-5	13Z/BLK
13-5	13M/BLK
13-5	13N/BLK
13-5	13P/BLK
13-5	13Q/BLK
13-5	13AA/BLK
27	27/PUR
27	27A/PUR
27	27B/PUR
27	27C/PUR

SPLICE DETAIL	WIRES
38	38/GRY
38	38B/GRY
38	38C/GRY
43	43/DRA
43	43A/DRA
43	43B/DRA
46-1	46/BLU
46-1	46C/BLU
46-1	46D/BLU
46-1	46E/BLU
46-2	46A/BLU
46-2	46B/BLU
46-2	46E/BLU
46-2	46F/BLU
52	52/BRN
52	52A/BRN
52	52B/BRN
105-1	105/GRN
105-1	105B/GRN
105-1	105G/GRN
105-1	105H/GRN
105-1	105M/GRN
105-2	105B/GRN
105-2	105C/GRN
105-2	105D/GRN
105-2	105E/GRN
105-2	105F/GRN
105-3	105M/GRN
105-3	105L/GRN
105-3	105K/GRN
CAN-1	CAN+A/YEL
CAN-1	CAN+B/YEL
CAN-1	CAN+C/YEL
CAN-2	CAN-A/GRN
CAN-2	CAN-B/GRN
CAN-2	CAN-C/GRN
CAN-3	CAN+C/YEL
CAN-3	CAN+D/YEL
CAN-3	CAN+E/YEL
CAN-4	CAN-C/GRN
CAN-4	CAN-D/GRN
CAN-4	CAN-E/GRN
CAN-5	CAN+E/YEL
CAN-5	CAN+F/YEL
CAN-5	CAN+G/YEL
CAN-6	CAN-E/GRN
CAN-6	CAN-F/GRN
CAN-6	CAN-G/GRN
CAN-7	CAN+G/YEL
CAN-7	CAN+H/YEL
CAN-7	CAN+J/YEL
CAN-8	CAN-G/GRN
CAN-8	CAN-H/GRN
CAN-8	CAN-J/GRN
SHIELD-1	SHIELD
SHIELD-1	GREEN-1
SHIELD-2	SHIELD
SHIELD-2	GREEN-2



ELECTRICAL HARNESS, MAIN (PAGE 5 OF 6)

1075312_00

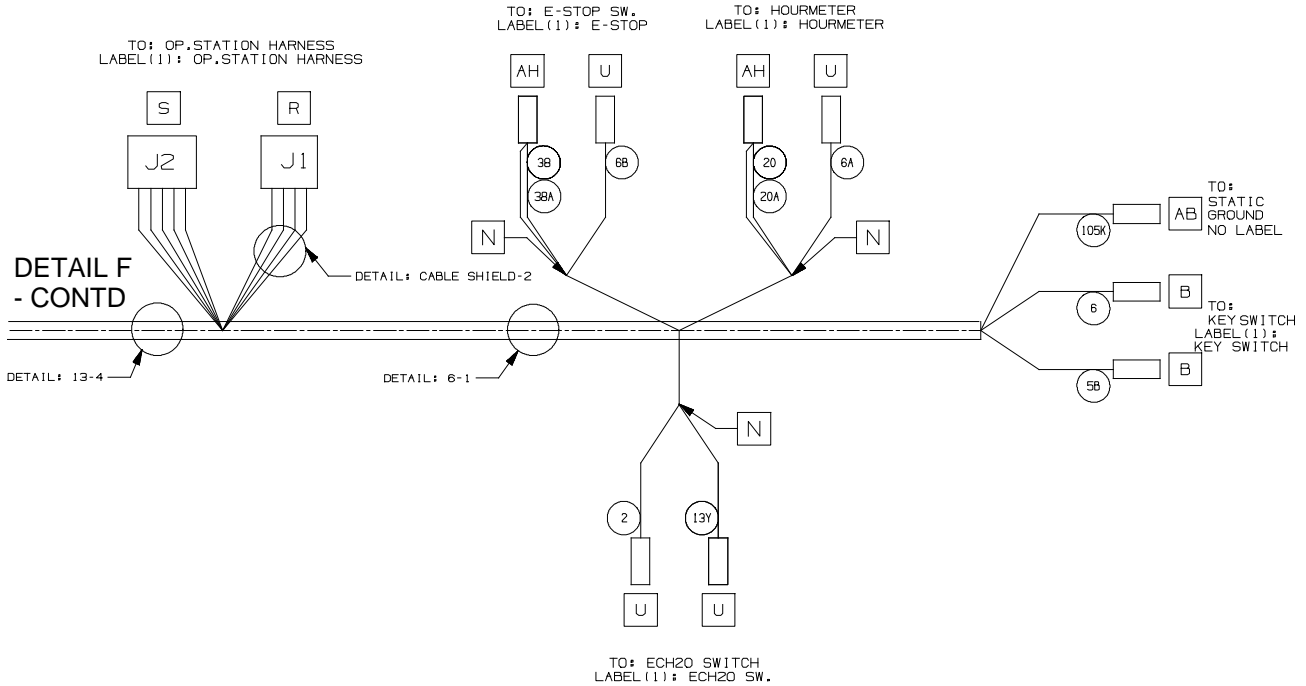
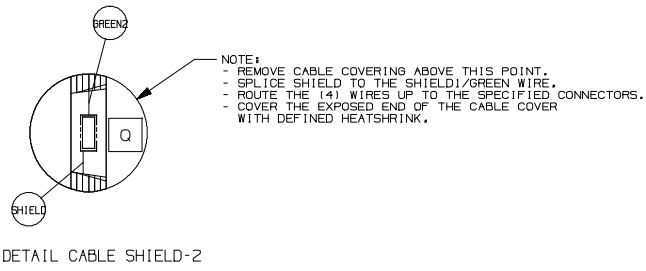


ELECTRICAL HARNESS, MAIN (PAGE 6 OF 6)

1075312_00

WIRE NO.	POS.
213/BLK-WHT	1
CAN+A/YEL	2
CAN-A/GRN	3
7/PUR	4
6C/BLU	5
20/TAN	6
54/YEL	7
40/TAN	8
41/PNK	9
13X/BLK	10
2/BRN	11
27/PUR	12
18/GRY	13
38A/GRY	14
47/PUR	15

WIRE NO.	POS.
33/DRA	1
34/YEL	2
35/GRN	3
36/BLU	4
37/PUR	5
CABLE:BLACK	6
CABLE:RED	7
CABLE:NATURAL	8
SHIELD2:GREEN2	9



	Part No.	Serial Number	Description	Qty.
▽	1075312	(00000-) Harness, Main, Ele [T500e]	1
▲	49309	(00000-) Relay, 24vdc, 015a, Spdt No	2

▽ ASSEMBLY

▲ INCLUDED IN ASSEMBLY

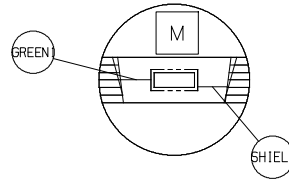
ELECTRICAL HARNESS, OPERATOR STATION

1075313_00

TO: REVERSE SWITCH
 LABEL: REV. SW.

WIRE NO.	POS.
36/BLU	1
37/PUR	2

H



DETAIL CABLE SHIELD-1

TO: SPEED POTENTIOMETER
 LABEL: SPEED POT.

WIRE NO.	POS.
33/ORA	1
34/YEL	2
35/GRN	3

G

TO: USER INTERFACE MODULE
 NO LABELS

WIRE NO.	POS.
38/GRY	1
OPEN	2
2/BRN	3
47/PUR	4
40/TAN	5
41/PNK	6
20/TAN	7
13/BLK	8
7/PUR	9
6/BLU	10

J

CONN. J7

CONN. J5

WIRE NO.	POS.
SHIELD1/ GREEN	1
CABLE: NATURAL	2
CABLE: RED	3
CABLE: BLACK	4

D

DETAIL: SHIELD-1
 (LOCATED WITHIN 75MM OF CONNECTOR "D".)

DETAIL A

CONN. J3

WIRE NO.	POS.
CAN+/YEL	1
CAN-/GRN	2
113/BLK-WHT	3
OPEN	4

B

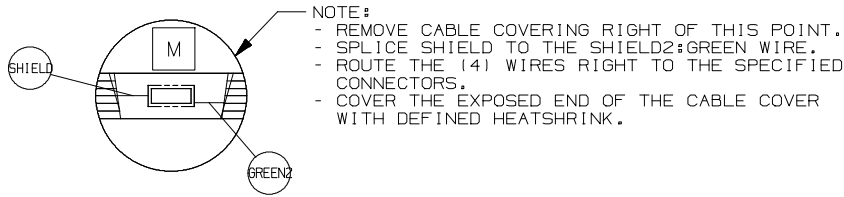
CONN. J10

WIRE NO.	POS.
18/GRY	1
OPEN	2
27/PUR	3
OPEN	4
OPEN	5
54/YEL	6
OPEN	7
OPEN	8

A

ELECTRICAL HARNESS, OPERATOR STATION

1075313_00

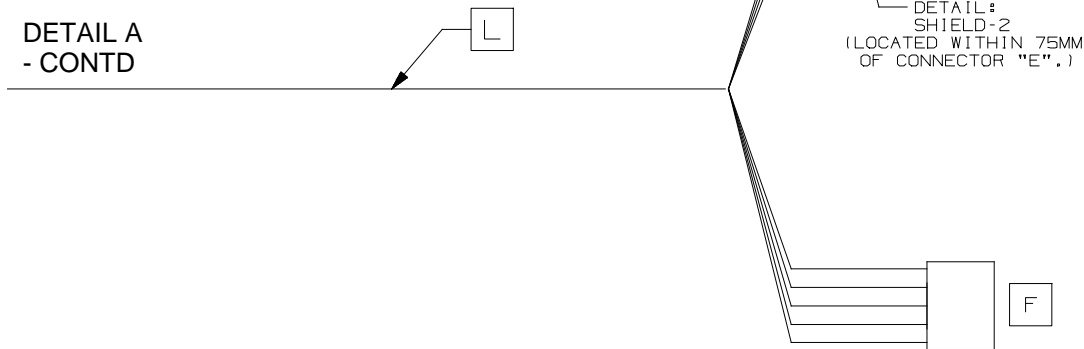


DETAIL CABLE SHIELD-2

TO: MAIN HARNESS
NO LABEL

WIRE NO.	POS.
33/ORA	1
34/YEL	2
35/GRN	3
36/BLU	4
37/PUR	5
CABLE:BLK	6
CABLE:RED	7
CABLE:NATURAL	8
SHIELD2:GREEN	9

DETAIL A
- CONTD



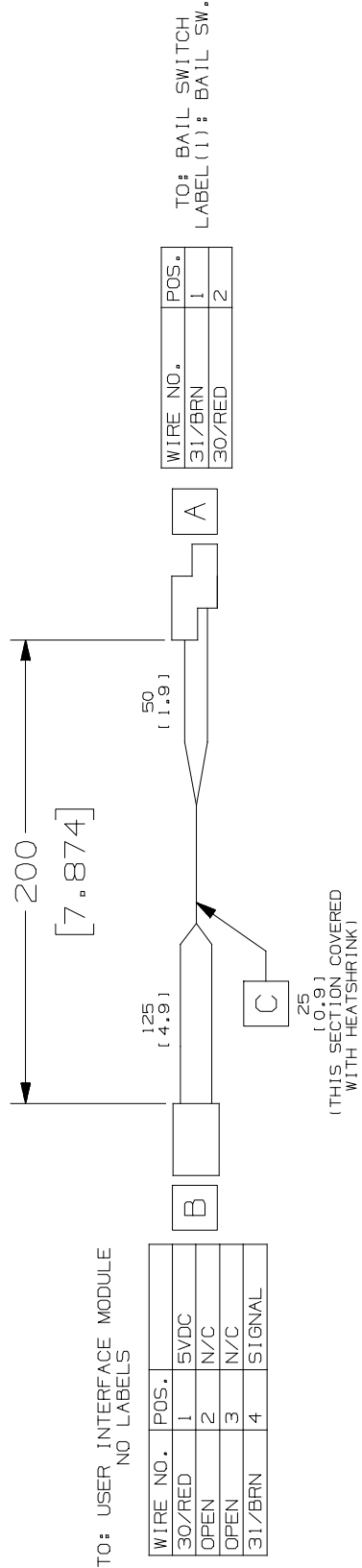
TO: MAIN HARNESS.
NO LABEL

WIRE NO.	POS.
113/BLK-WHT	1
CAN+/YEL	2
CAN-/GRN	3
7/PUR	4
6/BLU	5
20/TAN	6
54/YEL	7
40/TAN	8
41/PNK	9
13/BLK	10
2/BRN	11
27/PUR	12
18/GRY	13
38/GRY	14
47/PUR	15

Part No.	Serial Number	Description	Qty.
1075313	(00000-) Harness, Ele [Op. Station, T500e]	1

ELECTRICAL HARNESS, BAIL SWITCH

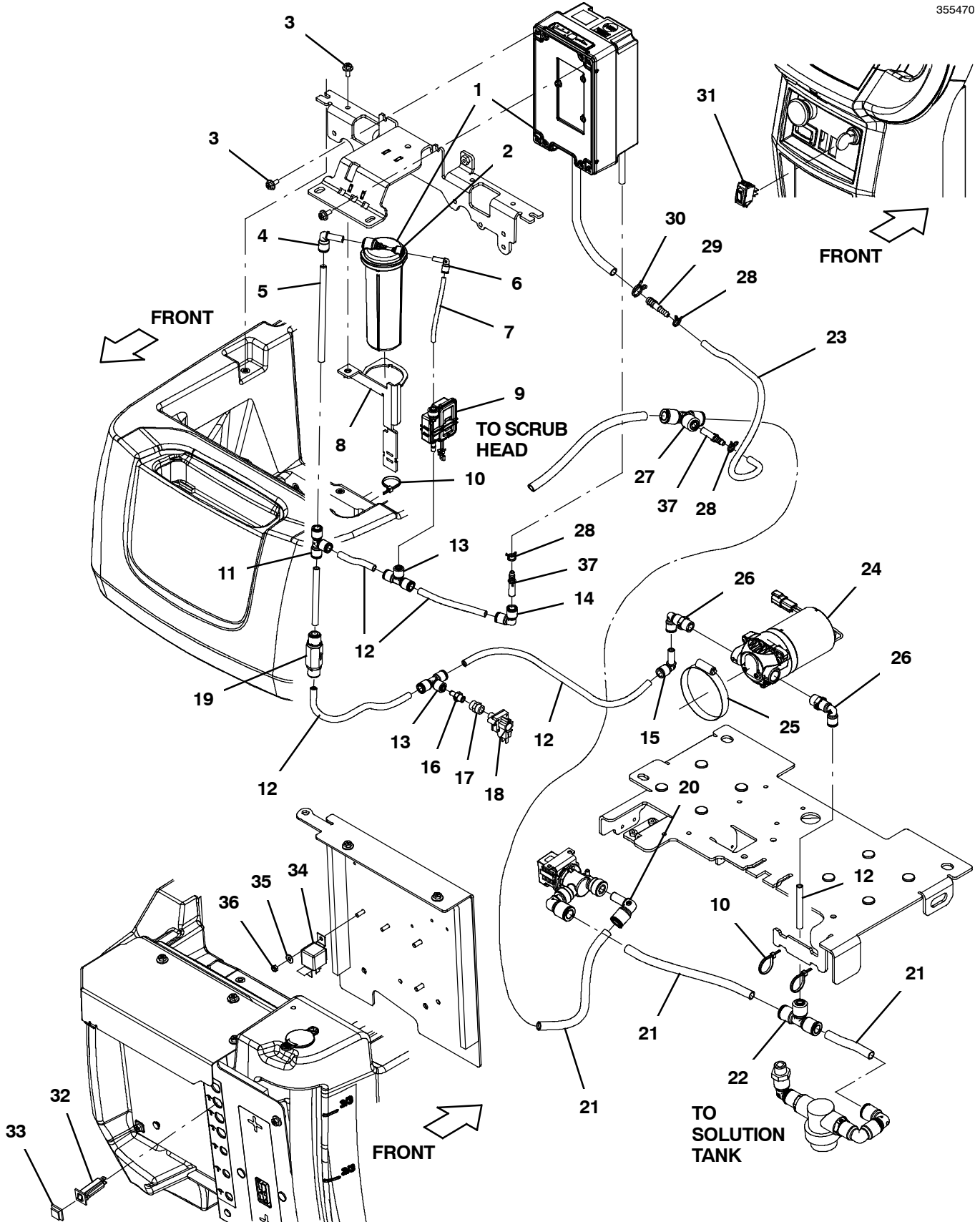
1072524_00



Part No.	Serial Number	Description	Qty.
1072524	(00000-) Harness, Ele [Bail Switch]	1

ec-H₂O SOLUTION GROUP

355470



ec-H2O SOLUTION GROUP

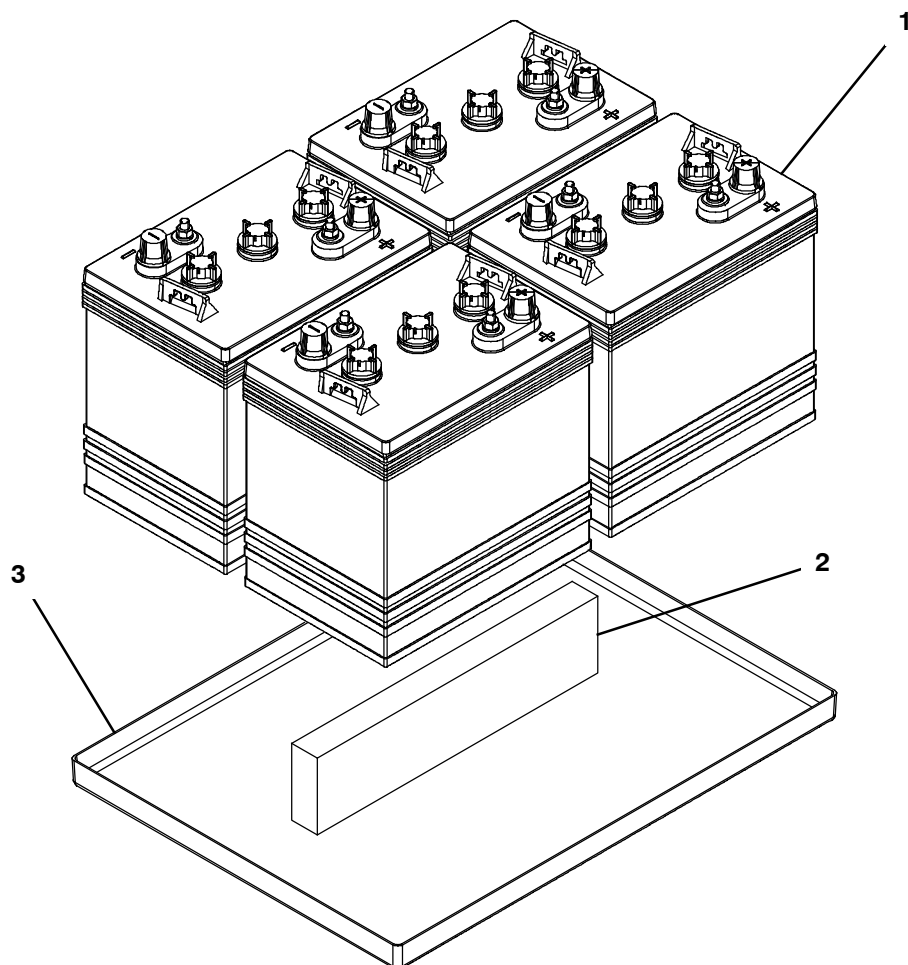
Ref.	Part No.	Serial Number	Description	Qty.
▽	1	9011810	(00000-) Module Kit, Replmt [Ec- H2o, B 02]	1
▲	2	9013646	(00000-) Cartridge, Ec- H2o Nanoclean Wcm, 270ml	1
	3	1034731	(00000-) Screw, Hex, M6 X 1.00 X 16, Sems, Ss	4
	4	1215186	(00000-) Fitting, Plstc, E90, Qf06/Qm06	1
	5	9014146	(00000-) Hose, Afrmkt, Pvc, 0.06id .38od, 05ft	1
	6	1214339	(00000-) Fitting, Plstc, E90, Qfo4/Qm04	1
	7	9014147	(00000-) Hose, Afrmkt, Pvc, 0.06id .25od, 05ft	1
	8	1221926	(00000-) Bracket Wldt, Mtg, Ec- H20 [T500]	1
	9	1216973	(00000-) Pump Assy, Dispenser	1
	10	130773	(00000-) Tie, Cable, Nyl, 11.0l, .14w, 3.0 Max. D	3
	11	1212573	(00000-) Fitting, Plstc, Tee, Qf06/Qf06/Qf06	1
	12	9014148	(00000-) Hose, Afrmkt, Nat, 0.25id 0.375od, 06ft	1
	13	1212855	(00000-) Fitting, Plstc, Tee, Qf04/Qf06/Qf06	2
	14	1212856	(00000-) Fitting, Plstc, E90, Qf06/Qf06	1
	15	1215186	(00000-) Fitting, Plstc, E90, Qf06/Qm06	1
	16	1216185	(00000-) Fitting, Plstc, Str, Qm04/Pm02	1
	17	150307	(00000-) Fitting, Brs, Cplg, Pf02/Pf02	1
	18	1044414	(00000-) Switch, Press, 15psi, Pm02	1
	19	1215527	(00000-) Valve, Check, 1.0 Psi Qf06/Qf06	1
	20	1212809	(00000-) Fitting, Plstc, E90, Qf08/Qm08	1
	21	9014145	(00000-) Hose, Afrmkt, Pe, .375id .50od, 05ft	1
	22	1212875	(00000-) Fitting, Plstc, Tee, Qf06/Qf08/Qf08	1
	23	1014985	(00000-) Hose, Afrmkt, Pvc, Clr, 0.25id, 08ft	1
	24	1210517	(00000-) Pump, Soltn, Ele, 24vdc, 35 Psi	1
	25	43555	(00000-) Clamp, Hose, Wormdrive, 2.62- 3.50d	1
	26	1212812	(00000-) Fitting, Plstc, E90, Qf06/Pm06, Swivel	2
	27	1212875	(00000-) Fitting, Plstc, Tee, Qf06/Qf08/Qf08	1
	28	613735	(00000-) Clamp, Hose, Wir, .40 - .42, Yel	3
	29	1039557	(00000-) Fitting, Plstc, Str, Bm04/Bm06	1
	30	607775	(00000-) Clamp, Hose, Wir, .63 - .66, Blk	1
	31	1044393	(00000-) Switch, Rocker, Spst, Mom	1
	32	1064188	(00000-) Circuitbreaker, 15.0a, Resetable	1
	33	1064191	(00000-) Boot, Circuitbreaker	1
	34	1228510	(00000-) Relay, 24vdc, 80a, Spst No, Plug- In	1
	35	01683	(00000-) Washer, Flat, 10, Ss	1
	36	09739	(00000-) Nut, Hex, Lock, M5 X 0.80, NI, Ss	1
	37	1212857	(00000-) Fitting, Plstc, Str, Qm06/Bm04	2

▽ ASSEMBLY

▲ INCLUDED IN ASSEMBLY

BATTERY GROUP, MOURA 6V / 225AH / 20H

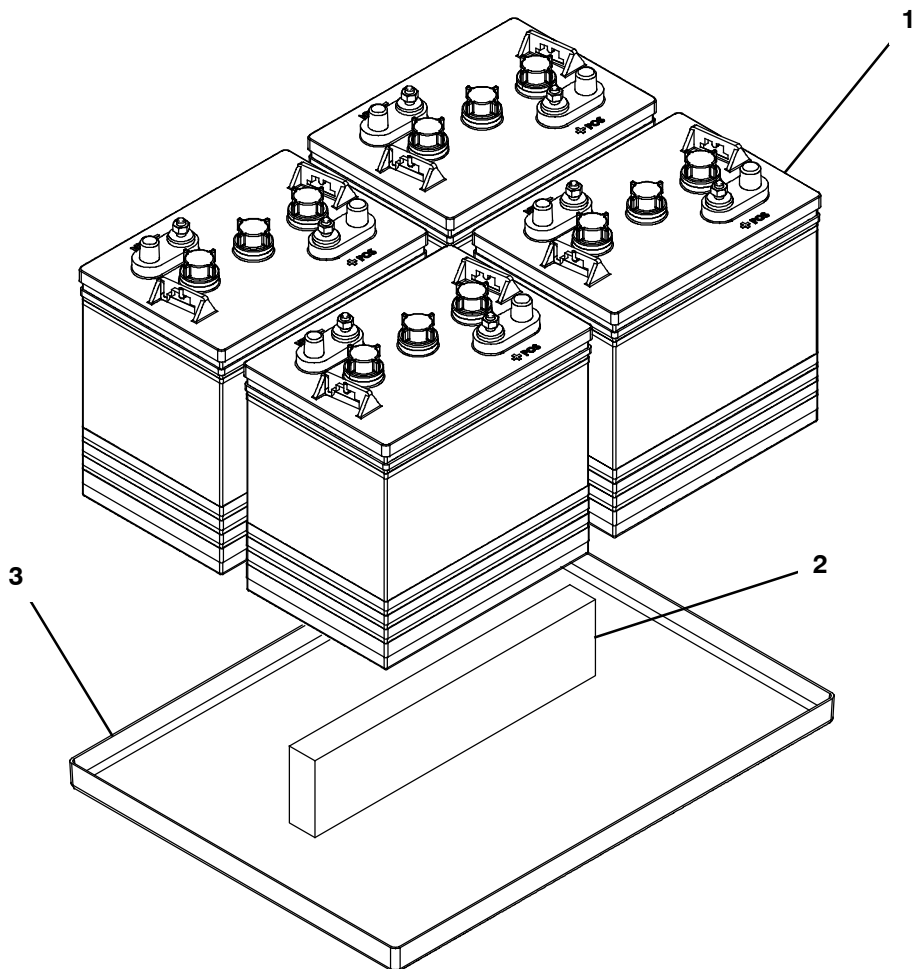
355525



Ref.	Part No.	Serial Number	Description	Qty.
1	MT28023	(00000-) Battery, Moura, 6V 225Ah 20H	4
2	630375	(00000-) Spacer, Battery, Foam, 1.25 X 3.3 X 13.7	1
3	1024874	(00000-) Tray, Battery [T500/T500e/Ss500]	1

BATTERY GROUP, TUDOR 6V / 210AH / 20H

355526



Ref.	Part No.	Serial Number	Description	Qty.
1	MT28026	(00000-) Battery, Tudor, 6V 210Ah 20H	4
2	630375	(00000-) Spacer, Battery, Foam, 1.25 X 3.3 X 13.7	1
3	1024874	(00000-) Tray, Battery [T500/T500e/Ss500]	1

OPTIONS

DOCUMENTATION GROUP

Ref.	Part No.	Serial Number	Description	Qty.
	9015590	(00000-) Manual, Parts [A500]	1
	9015592	(00000-) Manual, Oprtr [A500, Ptb]	1
	9015593	(00000-) Manual, Oprtr [A500, Es]	1
	9015594	(00000-) Instr, Wall Chart [A500]	1

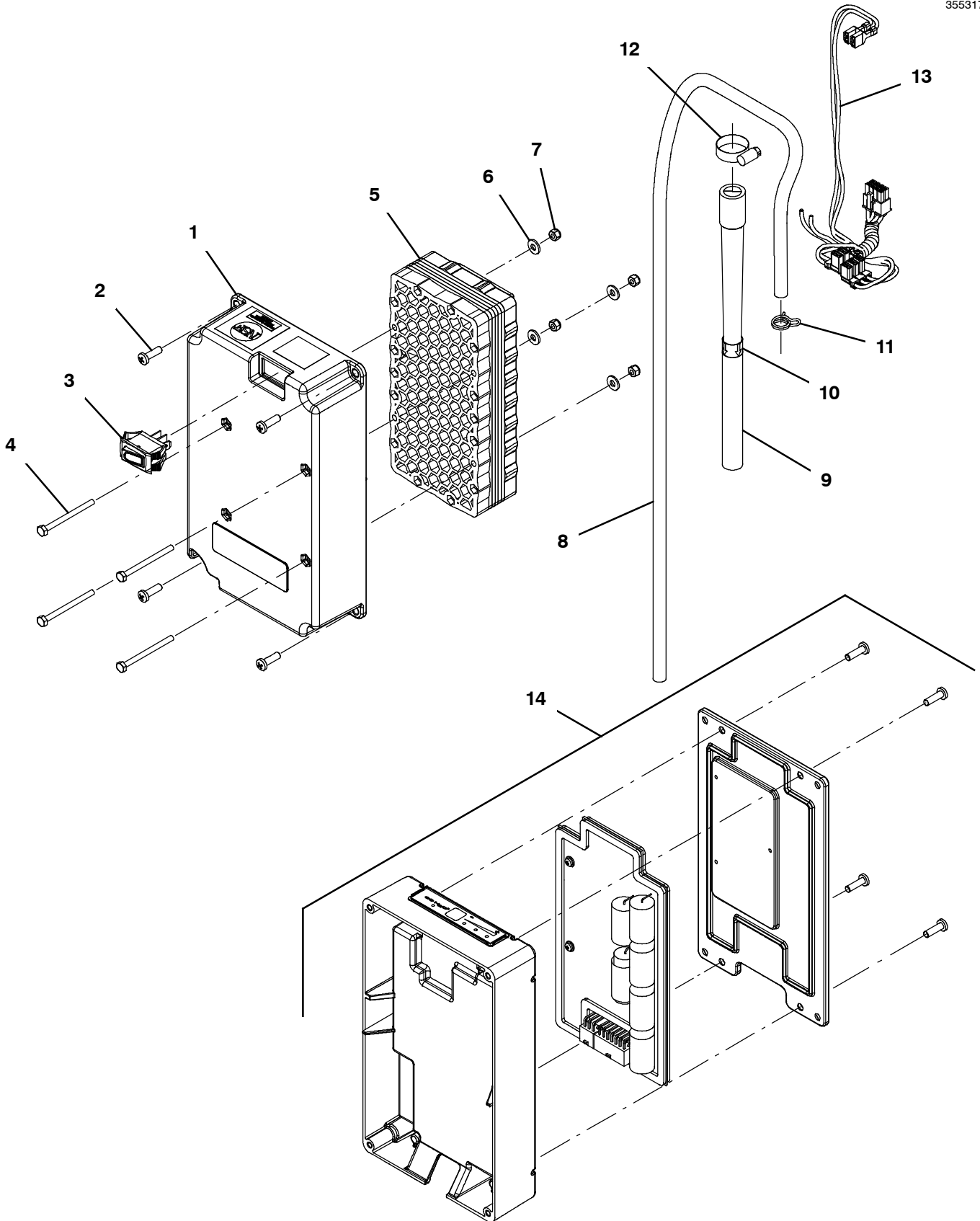


To view, print, order, download the latest Parts manual, other language Operator manuals, and Use and Care Guides (wall charts), visit:

www.alfa.com/manuals

ec- H2O NANOCLEAN MODULE BREAKDOWN

355317



ec- H2O NANOCLEAN MODULE BREAKDOWN

Ref.	Part No.	Serial Number	Description	Qty.
▽	9011810	(00000-) Module Kit, Replmt [Ec- H2o, B 02] (Includes ec- H2O NanoClean Cartridge)	1
▲▽	9014126	(00000-) Ec- H2o Nc Kit [Module B, Plumbing]	1
▲▲	1 1208823	(00000-) Housing, Module, Upper, Ec- H2o	1
▲▲	2 1015506	(00000-) Screw, Pan, Phl, M5 X 16, Tcut [Plastic]	4
▲▲	3 1044393	(00000-) Switch, Rocker, Spst, Mom	1
▲▲	4 32509	(00000-) Screw, Hex, M4 X 0.70 X 50, Ss	4
▲▲	5 1208164	(00000-) Electrode, 5 Plate, High Flow	1
▲▲	6 41579	(00000-) Washer, Flat, 08, Ss	4
▲▲	7 33932	(00000-) Nut, Hex, Lock, M4 X 0.70, Ni, Ss	4
▲▲	8 1006415	(00000-) Hose, Afmkt, Pvc, Clr, 0.25id, 03ft	1
▲▲	9 1208526	(00000-) Hose, Molded, Bm08/Bm06	1
▲▲	10 1049637	(00000-) Label, Direction [Ec- H2o]	1
▲▲	11 613735	(00000-) Clamp, Hose, Wir, .40 - .42, Yel	1
▲▲	12 54333	(00000-) Clamp, Hose, Wormdrive, 0.31- 0.88d, .31w	1
▲▲	13 1073286	(00000-) Harness, Ele, Module B2 [Ec- H2o]	1
▲	14 9014127	(00000-) Controller Kit, Replmt [Ec- H2o Nc] (Includes ec- H2O NanoClean Cartridge)	1

▽ ASSEMBLY

▲ INCLUDED IN ASSEMBLY