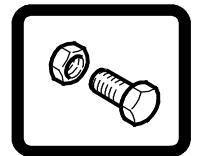


alfa
Uma Empresa Tennant

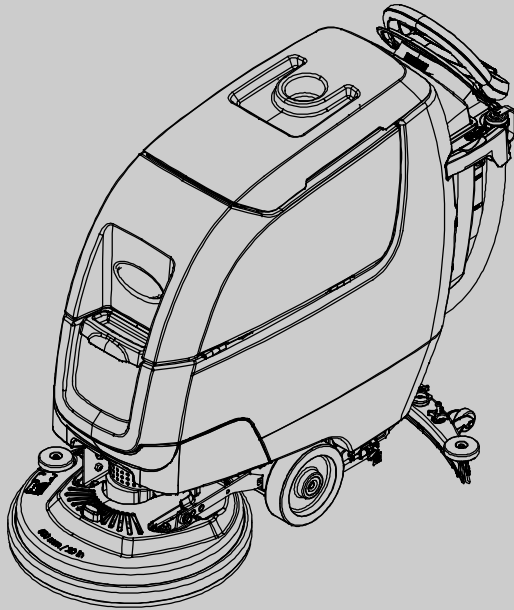
A300

AUTOMATIC FLOOR SCRUBBER

Parts Manual



(S/N A300-00000 -)



Hygenic[®] Fully Cleanable Recovery Tank
TennantTrue[®] Parts



Brazil

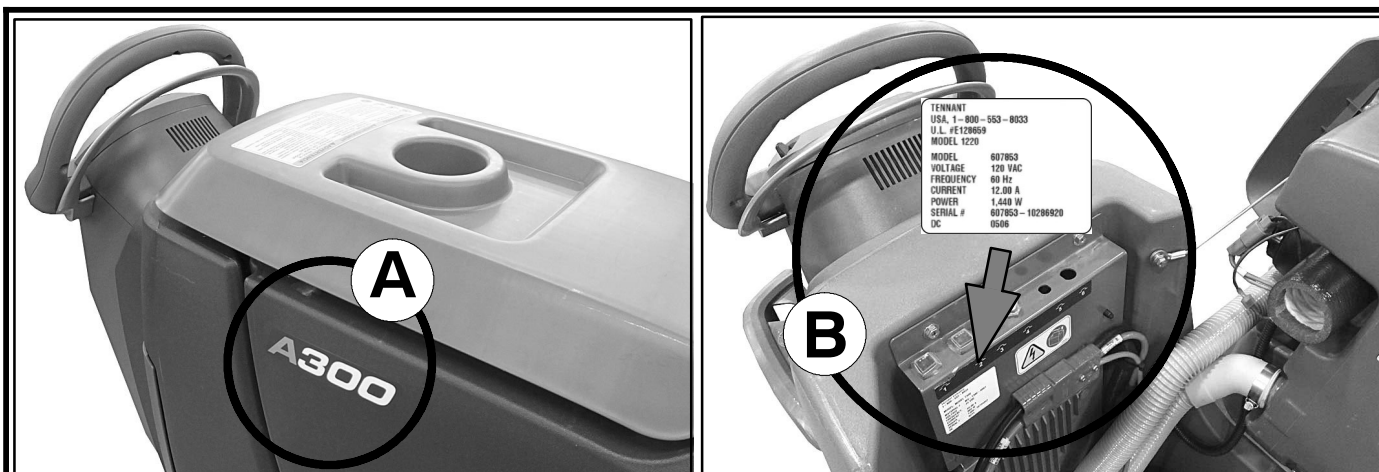


For the latest Parts manuals and other language Operator manuals, visit:

www.alfa.com/manuals

9014552
Rev. 03 (01-2019)





Ref	Part No.	Serial Number	Description	Qty.
1	82681	(000000-)	Bracket Wldt, Lpg Mount	1
▽ 2	63810	(000000-)	Latch Assy, Lpg Tank Mtg, W/Nut	4
▲ 3	51839	(000000-)	Nut Adjustable, Lpg Tank Mtg	2
4	49263	(000000-)	Tie, Cable	3
(D)	82556	(000000- 001039)	Bracket, Vaporizer	1
	54930	(000000-)	Vaporizer, LPG	1

HOW TO ORDER PARTS - See diagram above

Only use TENNANT Company supplied or equivalent parts. Parts and supplies may be ordered online, by phone, by fax or by mail.

Follow the steps below to ensure prompt delivery.

1. (A) Identify the machine model.
2. (B) Identify the machine serial number from the data label.
3. (C) Ensure the proper serial number is used from the parts list.
4. Identify the part number and quantity.
Do not order by page or reference numbers.
5. Provide your name, company name, customer ID number, billing and shipping address, phone number and purchase order number.
6. Provide detail shipping instructions.

- (D) ▽ - identifies an assembly
▲ - identifies parts included in assembly

Please fill out at time of installation for future reference.

Model No. - _____
 Serial No. - _____
 Machine Options - _____
 Sales Rep. - _____
 Sales Rep. phone no. - _____
 Customer ID Number - _____
 Installation Date - _____

ALFA, Uma Empresa Tennant

Rua Barão de Campinas,
São Paulo, SP 01201-902 - Brazil

Technical Assistance:

(11) 3320-8555

Sales: (11) 3320-8550

www.alfatennant.com.br

Specifications and parts are subject to change without notice.

Copyright ©2015 - 2019 TENNANT Company, Printed in Brazil.

CÓMO SOLICITAR PIEZAS - Consulte el diagrama anterior.

Utilice sólo las piezas suministradas por TENNANT Company o piezas equivalentes. Puede solicitar las piezas a través de internet, por teléfono, por fax o por correo.

Siga los siguientes pasos para que la entrega sea rápida.

1. **(A)** Indique el modelo de máquina.
2. **(B)** Indique el número de serie de la etiqueta de datos.
3. **(C)** Asegúrese de que indica el número de serie correcto de la lista de piezas.
4. Indique la cantidad y el número de la pieza.
No realice el pedido indicando el número de página o el de referencia.
5. Incluya su nombre, el nombre de la empresa, el ID de cliente, las direcciones de envío y facturación, el número de teléfono y el número del pedido de compra.
6. Facilite instrucciones de envío.

- (D)** ▽ - identifica un conjunto
▲ - identifica piezas de un conjunto

Rellene estos datos cuando realice la instalación para utilizarlos como referencia en el futuro.

Nº modelo - _____
Nº serie - _____
Opciones de la máquina - _____
Vendedor - _____
Nº teléfono vendedor - _____
Nº cliente - _____
Fecha de instalación - _____

ES**COMO ENCOMENDAR PEÇAS - Consulte o diagrama acima.**

Utilize apenas peças fornecidas pela TENNANT Company ou equivalentes. As peças e consumíveis podem ser encomendados online, por telefone, fax ou correio.

Siga os passos abaixo para garantir uma entrega rápida.

1. **(A)** Identifique o modelo da máquina.
2. **(B)** Identifique o número de série da máquina que se encontra na etiqueta de dados.
3. **(C)** Certifique-se de que usa o número de série correcto da lista de peças.
4. Identifique o número de produto e a quantidade. Não encomende através de números de página ou de referência.
5. Forneça o seu nome, o nome da empresa, o número de ID do cliente, os endereços de facturação e entrega, o número de telefone e o número da nota de encomenda.
6. Forneça instruções de entrega detalhadas.

- (D)** ▽ - identifica uma unidade
▲ - identifica peças incluídas numa unidade

Preencha na altura da instalação para futura referência.

Modelo nº - _____
Nº de série - _____
Opções da máquina - _____
Vendedor - _____
Telefone do vendedor - _____
Número de ID do cliente - _____
Data de instalação - _____

PT

STANDARD PARTS

GENERAL RECOMMENDED MAINTENANCE ITEMS	7
BRUSHES AND PAD DRIVER GROUP, 50CM DISK MAGNETIC HUB	8
BRUSHES AND PAD DRIVER GROUP, 50CM DISK 3- LUG HUB	10
SCRUB HEAD GROUP, 50CM DISK, MAGNETIC HUB	12
SCRUB HEAD GROUP, 50CM DISK, 3- LUG HUB	14
RECOVERY TANK GROUP, BASE MODEL	16
RECOVERY TANK FILTER AND HOSE GROUP, SCREW CAP	18
SOLUTION TANK GROUP	20
FRAME GROUP, PUSH MODEL	22
SINGLE DOWN PRESSURE GROUP	24
SOLUTION GROUP, BASE MODEL	26
SOLUTION GROUP, BASE MODEL ec- H2O ...	28
ELECTRICAL COMPONENTS GROUP, BASE MODEL	30
LOWER CONSOLE GROUP, OFF- BOARD CHARGER	32
HANDLE GROUP, BASE PUSH MODEL	34
SHROUD GROUP, DISK HEAD	36
SCRUB HEAD LIFT GROUP, 50CM DISK MODEL	38
SQUEEGEE GROUP	40
BATTERY GROUP, MOURA 140AH	42
BATTERY GROUP, TUDOR 130AH	44
BATTERY GROUP, OPTIMA 75AH	46
LABEL GROUP	48
LABEL GROUP - CONT'D	49
DOCUMENTATION GROUP	50

ELECTRICAL DIAGRAM, PUSH (S/N 00780 -)	52
ELECTRICAL DIAGRAM, PUSH (S/N 00000 - 00779)	55
ELECTRICAL HARNESS, OPTIONS PUSH	58
ELECTRICAL HARNESS, MAIN PUSH (S/N 00780 -)	59
ELECTRICAL HARNESS, MAIN PUSH (S/N 00000 - 00779)	63

BREAKDOWNS

ec- H2O NANOCLEAN MODULE BREAKDOWN	68
------------------------------------	----

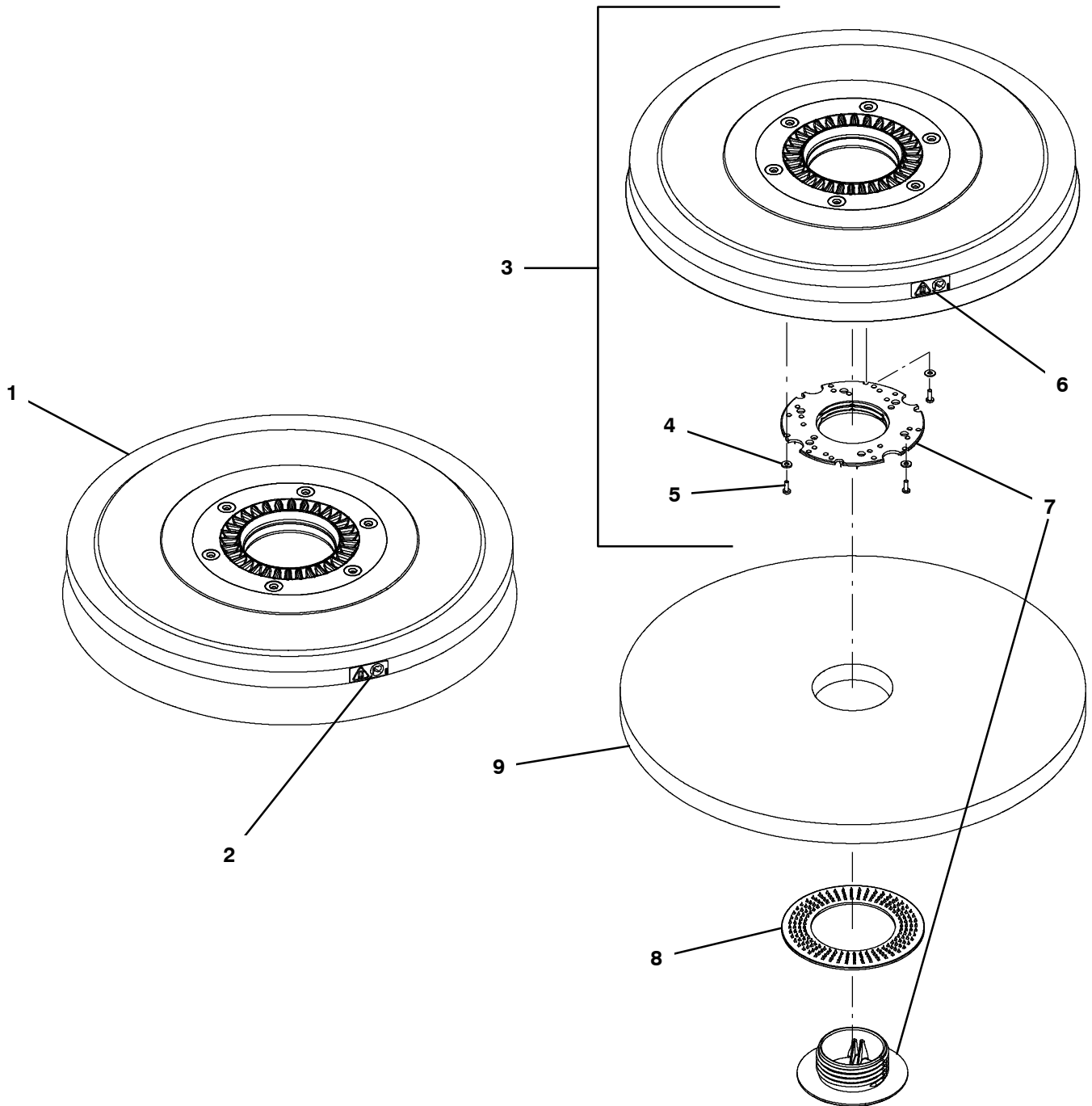
RECOMMENDED MAINTENANCE ITEMS

GENERAL RECOMMENDED MAINTENANCE ITEMS

Part No.	Serial Number	Description	Qty.	
1210386	(00000-) Brush Assy, Disk, Scb, 50cm, Mag, Nyl	1	
1213032	(00000-) Brush Assy, Disk, Scb, 50cm, Mag, Pyp	1	
1213033	(00000-) Brush Assy, Disk, Scb, 50cm, Mag, Ab	1	
1243338	(00000-) Pad, Polish, 20.0d, White [1pick=1ctn]	1	
1243339	(00000-) Pad, Buff, 20.0d, Red [1pick=1ctn]	1	
1243340	(00000-) Pad, Scb, 20.0d, Blu [1pick=1ctn]	1	
1243566	(00000-) Pad, Stripping 20.0d, Brn [1pick=1ctn]	1	
1243661	(00000-) Pad, Strip, 20.0d Blk[Hi Prod1pick=1ctn]	1	
1243670	(00000-) Pad, Surf Prep, 20.0d Maroon[1pick=1ctn]	1	
▽	9014172	(00000-) Squeegee Kit, Linatex, Am [T300/E/Ss300]	1
▲	1203954	(00000-) Blade, Sqge, Front, 788l, Linatex[500mm] (Standard)	1
	1215611	(00000-) Blade, Sqge, Front, 788l, Urethane[500mm] (Option)	1
	1215612	(00000-) Blade, Sqge, Front, 788l, Gum[500mm] (Option)	1
▲	1203953	(00000-) Blade, Sqge, Rear, 836l, Linatex[500mm] (Standard)	1
	1215609	(00000-) Blade, Sqge, Rear, 836l, Urethane[500mm] (Option)	1
	1215610	(00000-) Blade, Sqge, Rear, 836l, Gum[500mm] (Option)	1
▲	1010560	(00000-) Wheel, Bmpr, 80d X 25w, Non- Marking	2
▲	630477	(00000-) Wheel, Pyu, 02.0d 0.38w, Gray	2
	1055025	(00000-) Bumper, Head, 50cm, W/ Bristle Skirt, Im	1
	1010560	(00000-) Wheel, Bmpr, 80d X 25w, Non- Marking (Disk Head)	1
▽	9011810	(00000-) Module Kit, Replmt [Ec- H2o, B 02] (See Breakdowns)	1
▲	9013646	(00000-) Cartridge, Ec- H2o Nanoclean Wcm, 270ml	1
▽	9014872	(00400-) Kit, Deflector, Tray, Debris, Cl, [T300]	1
▲	1225187	(00400-) Seal, Rbr, Clsd, 12.7 Th , 24.0ld, 40.0Od	1
▲	1207357	(00000-) Tray, Debris, Tank, Recvy [T300]	1
	1210214	(00000- 00399) Deflector, Water, Recvy (Replaced By 9014872)	1
	630052	(00000-) Float, Shut- Off, (2)Ball, 1.75d	1
▽	1213010	(00000-) Hose Assy, Drain, 1.5d 017l 1.5/Cap[Pvc] (Black)	1
▲	1218955	(00000-) Cap, Drain Assy [Black]	1
	1211220	(00000-) Hose Assy,W/2cuff,1.5d 022l 1.5/1.5[Pvc] (Black)	1
	1210472	(00000-) Seal, Afmkt, Bulb, 0.50d .13grip, 05ft (Rec Tank Lid)	1
	1046428	(00000-) Seal, Afmkt, Rbr, Clsd, Adh, 02ft (Front Fill Cover)	1
	1223724	(00000-) Wheel, Scrbr, 8.00d, W/ Brg	2
	1212422	(00000-) Caster, Swivel [Wicke 224051]	1
▽	1211537	(00000-) Filter, In- Line, Pf06/Pf06 080m 2.6l Epd	1
▲	1218885	(00000-) Gasket [Epdm, F/1211537]	1
▲	1218883	(00000-) Screen, Fltr, 80 Mesh, Ss [W/ Cage]	1
▲	613991	(00000-) Bowl, Clr, Short, F/1005302	1
▽	1219312	(00000-) Fan, Vacuum, 5.7d, 024vdc, 2 Stage	1
▲	372883	(00000-) Vr, Brush Kit, Motor, Ele (1 Pkg = 2 Pcs)	1
▽	1226976	(00780-) Motor, Ele, 24vdc 0215rpm 650w, 17mm	1
▲	1227273	(00780-) Vr, Brush Kit, Motor, Ele (4pc)	1
▽	1210703	(00000- 00779) Motor, Ele, 24vdc 0200rpm 1.00hp, 17mm (Replaced By 9015159)	1
▲	1045790	(00000- 00779) Brush Kit, Replmt,Carbon 24vdc[1pk=1set]	1

BRUSHES AND PAD DRIVER GROUP, 50CM DISK MAGNETIC HUB

355339



BRUSHES AND PAD DRIVER GROUP, 50CM DISK MAGNETIC HUB

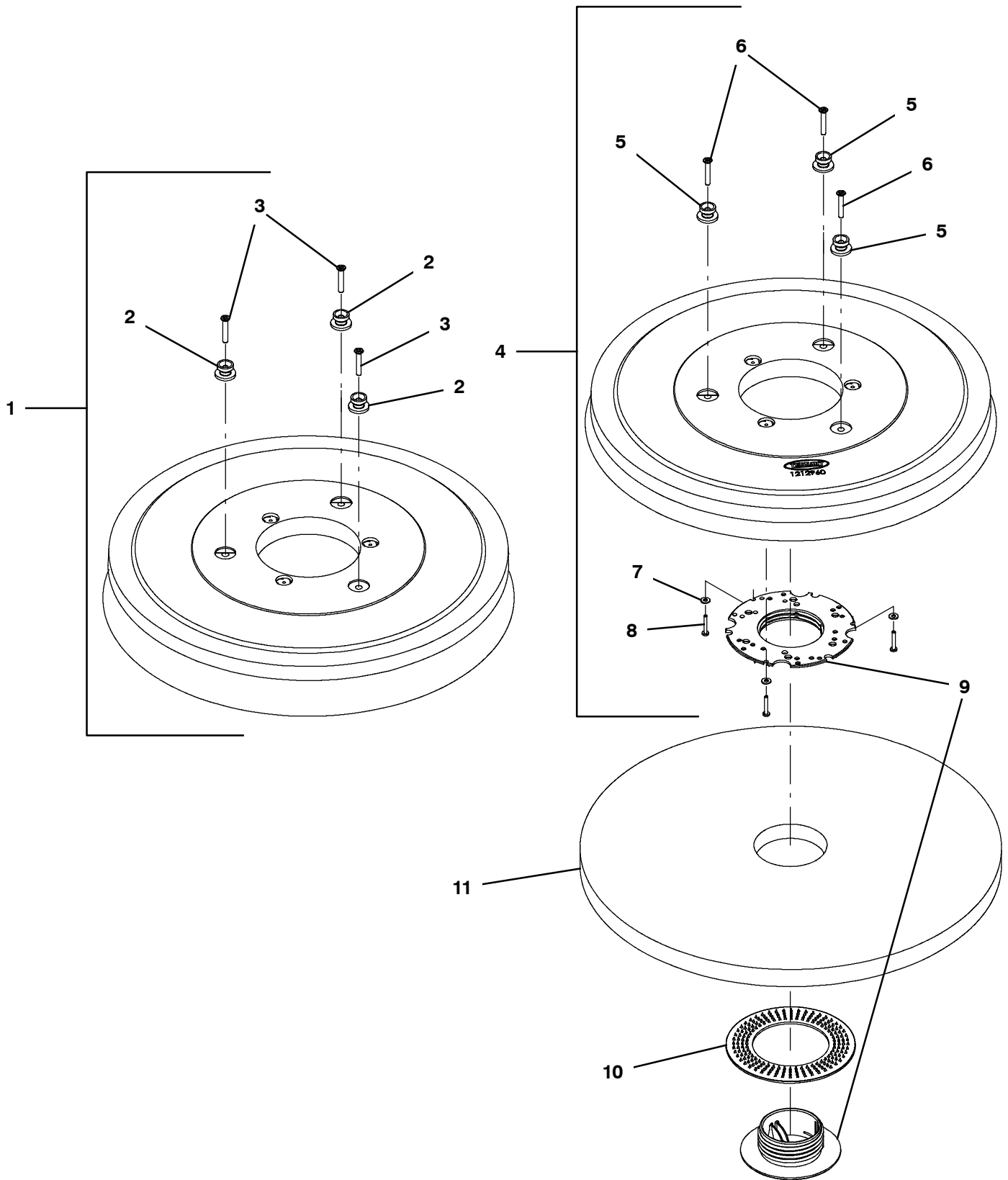
Ref.	Part No.	Serial Number	Description	Qty.
▽	1	1210386	(00000-) Brush Assy, Disk, Scb, 50cm, Mag, Nyl	1
▽	1	1213032	(00000-) Brush Assy, Disk, Scb, 50cm, Mag, Pyp	1
▽	1	1213033	(00000-) Brush Assy, Disk, Scb, 50cm, Mag, Ab	1
▲	2	1218392	(00000-) Label, Safety, Magnet, Med	1
▽	3	1209197	(00000-) Driver Assy, Pad, 50cm, Brush, Magnetic	1
▲	4	41579	(00000-) Washer, Flat, 08, Ss	3
▲	5	1212542	(00000-) Screw, Pan, Phl, M4 X 0.70 X 12, Nl, Ss	3
▲	6	1218392	(00000-) Label, Safety, Magnet, Med	1
▲	7	32506	(00000-) Device, Centering, Rh Pad Retainer	1
▲	8	32505	(00000-) Washer, Flat, 92b 156d 2.6l, Pad Driver	1
	9	1243338	(00000-) Pad, Polish, 20.0d, White [1pick=1ctn]	1
	9	1243339	(00000-) Pad, Buff, 20.0d, Red [1pick=1ctn]	1
	9	1243340	(00000-) Pad, Scb, 20.0d, Blu [1pick=1ctn]	1
	9	1243566	(00000-) Pad, Stripping 20.0d, Brn [1pick=1ctn]	1
	9	1243661	(00000-) Pad, Strip, 20.0d Blk[Hi Prod1pick=1ctn]	1
	9	1243670	(00000-) Pad, Surf Prep, 20.0d Maroon[1pick=1ctn]	1

▽ ASSEMBLY

▲ INCLUDED IN ASSEMBLY

BRUSHES AND PAD DRIVER GROUP, 50CM DISK 3-LUG HUB

355331



BRUSHES AND PAD DRIVER GROUP, 50CM DISK 3- LUG HUB

Ref.	Part No.	Serial Number	Description	Qty.
▽	1	1016805	(00000-) Brush Assy, Disk, Scb, 20.0d, Abr	1
▽	1	1016810	(00000-) Brush Assy, Disk, Scb, 20.0d, Nyl	1
▽	1	1016811	(00000-) Brush Assy, Disk, Scb, 20.0d, Pyp	1
▲	2	1013018	(00000-) Stud, Drive, Brush Pad	3
▲	3	1021316	(00000-) Screw, Flt, Phl, M6 X 1.00 X 35, Ss	3
▽	4	1212960	(00000-) Driver Assy, Pad, 50cm, Brush, 3 Lug	1
▲	5	1013018	(00000-) Stud, Drive, Brush Pad	3
▲	6	1021316	(00000-) Screw, Flt, Phl, M6 X 1.00 X 35, Ss	3
▲	7	41579	(00000-) Washer, Flat, 08, Ss	3
▲	8	04403	(00000-) Screw, Pan, Phl, M4 X 0.70 X 25, NI, Ss	3
▲	9	32506	(00000-) Device, Centering, Rh Pad Retainer	1
	10	32505	(00000-) Washer, Flat, 92b 156d 2.6l, Pad Driver	1
	11	1243338	(00000-) Pad, Polish, 20.0d, White [1pick=1ctn]	1
	11	1243339	(00000-) Pad, Buff, 20.0d, Red [1pick=1ctn]	1
	11	1243340	(00000-) Pad, Scb, 20.0d, Blu [1pick=1ctn]	1
	11	1243566	(00000-) Pad, Stripping 20.0d, Brn [1pick=1ctn]	1
	11	1243661	(00000-) Pad, Strip, 20.0d Blk[Hi Prod1pick=1ctn]	1
	11	1243670	(00000-) Pad, Surf Prep, 20.0d Maroon[1pick=1ctn]	1

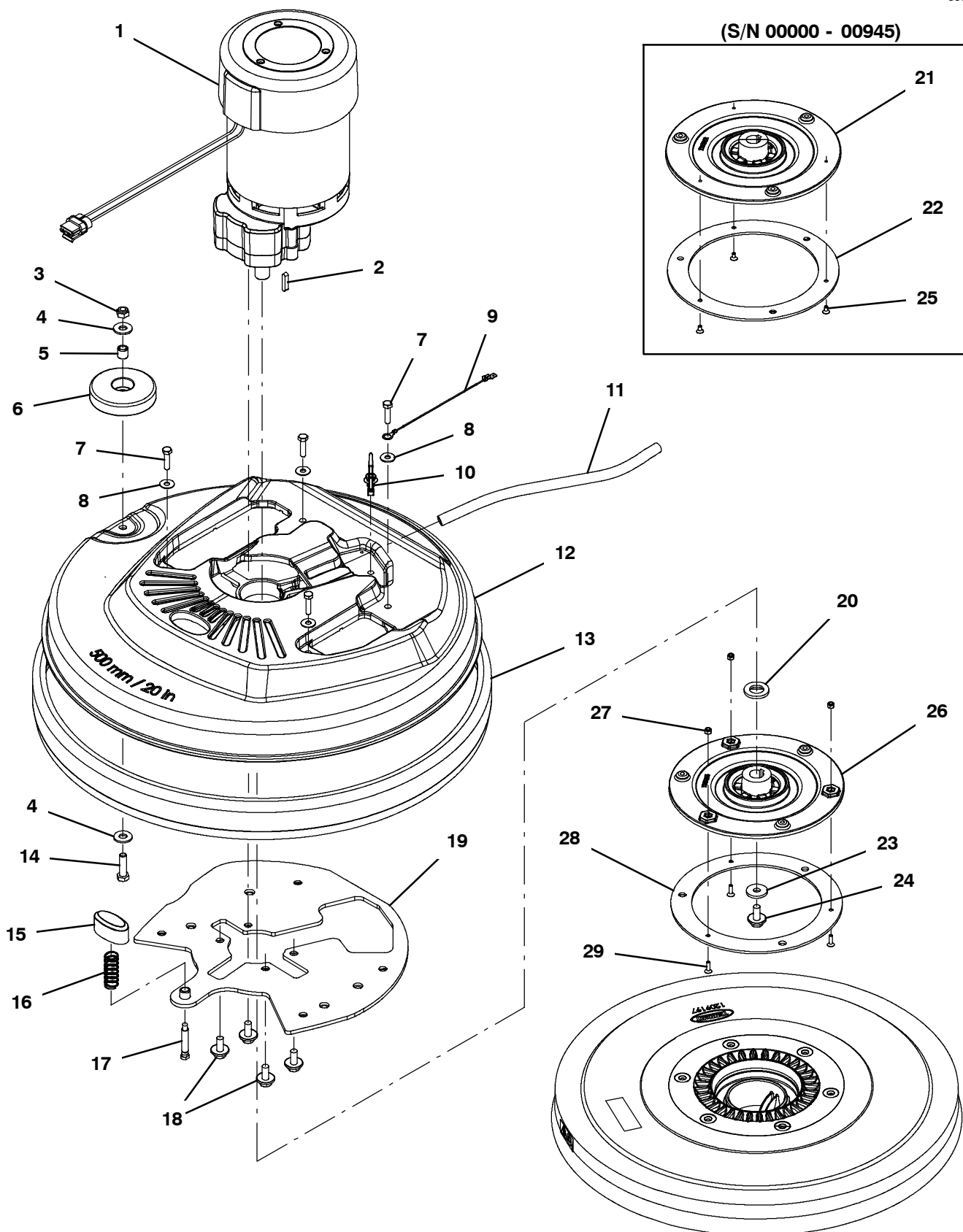
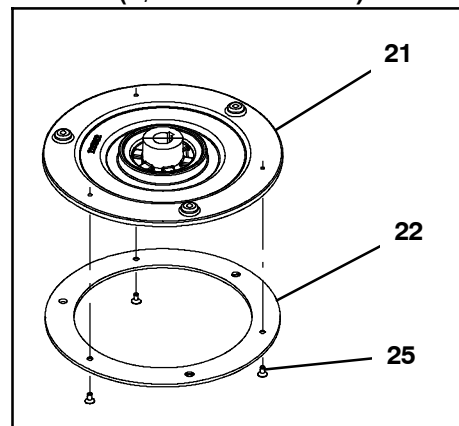
▽ ASSEMBLY

▲ INCLUDED IN ASSEMBLY

SCRUB HEAD GROUP, 50CM DISK, MAGNETIC HUB

355717

(S/N 00000 - 00945)



SCRUB HEAD GROUP, 50CM DISK, MAGNETIC HUB

Ref.	Part No.	Serial Number	Description	Qty.
▽	1	1226976	(00780-) Motor, Ele, 24vdc 0215rpm 650w, 17mm	1
▲		1227273	(00780-) Vr, Brush Kit, Motor, Ele (4pc)	1
▲	2	1014328	(00000-) Key, Sq, 05mm X 05mm, 25mm	1
▽	1	1210703	(00000- 00779) Motor, Ele, 24vdc 0200rpm 1.00hp, 17mm (Replaced By 9015159)	1
▲		1045790	(00000- 00779) Brush Kit, Replmt,Carbon 24vdc[1pk=1set]	1
▲	2	1014328	(00000-) Key, Sq, 05mm X 05mm, 25mm	1
	3	08713	(00000-) Nut, Hex, Lock, M8 X 1.25, NI, Ss	1
	4	01685	(00000-) Washer, Flat, 0.38b 0.88d .08, Ss	2
	5	222460	(00000-) Sleeve, P/M, 0.32b 0.50d 0.5l [430ss]	1
	6	1010560	(00000-) Wheel, Bmpr, 80d X 25w, Non- Marking	1
	7	1016005	(00000-) Screw, Hex, M6 X 1.00 X 25, NI, FI, Ss	4
	8	01684	(00000-) Washer, Flat, 0.27b 0.69d .05, Ss	4
	9	1074344	(00000-) Harness, Ele [Ring With .250m Tail]	1
	10	1210807	(00000-) Wire, Tie [W/.25" Fir Tree Clip]	1
	11	9014145	(00000-) Hose, Afmkt, Pe, .375id .50od, 05ft	1
	12	1208041	(00000-) Housing, Head, 50cm	1
	13	1055025	(00000-) Bumper, Head, 50cm, W/ Bristle Skirt, Im	1
	14	1016399	(00000-) Screw, Hex, M8 X 1.25 X 30, NI, Ss	1
	15	1211242	(00000-) Button, Plunger, Pad	1
	16	1212785	(00000-) Spring, Cmpr, .66od, .05wir, 1.75l, Ss	1
	17	1211256	(00000-) Pin, Stop, Long	1
	18	1020341	(00000-) Screw, Hex, M8 X 1.25 X 20, Ss, Sems	4
	19	1223980	(00340-) Plate Wldt, Head, Weighted	1
	19	1210590	(00000- 00339) Plate Wldt, Head, Weighted (Replaced By Kit 9014801)	1
	20	1022549	(00000-) Spacer, Shaft, 17.15b 30.0d 3.0l, Ss	1
	21	1212312	(00000- 00945) Hub, Drive, Magnetic [Machined] (Replaced By Kit 9015184)	1
	22	1205043	(00000-) Ring, Hub, Magnetic	1
	23	1017218	(00000-) Washer, Flat, 0.32b 1.00d .12, Ss	1
	24	1020341	(00000-) Screw, Hex, M8 X 1.25 X 20, Ss, Sems	1
	25	630114	(00000- 00945) Screw, Flt, Phl, M4 X 0.70 X 8, 4.8	3
▽		9015184	(00946-) Hub Kit, Drive, Magnetic [T300]	1
▲	26	1227654	(00946-) Hub, Drive, Magnetic [Machined]	1
▲	27	33932	(00946-) Nut, Hex, Lock, M4 X 0.70, NI, Ss	3
▲	28	1205043	(00946-) Ring, Hub, Magnetic	1
▲	29	1227670	(00946-) Screw, Flt, Soc, M4 X 0.70 X 14,18- 8, Ss	3

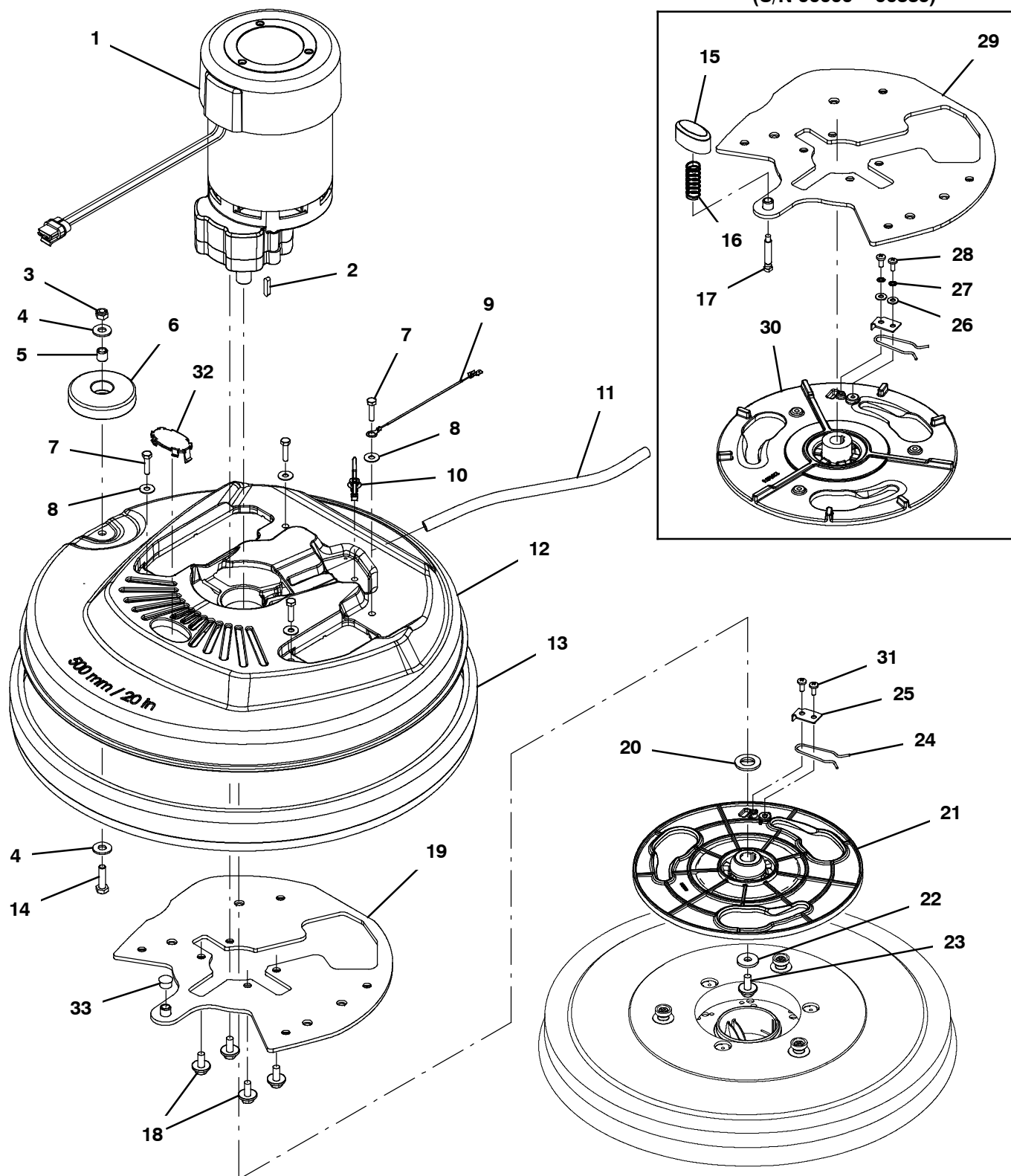
▽ ASSEMBLY

▲ INCLUDED IN ASSEMBLY

SCRUB HEAD GROUP, 50CM DISK, 3-LUG HUB

355718

(S/N 00000 - 00339)



SCRUB HEAD GROUP, 50CM DISK, 3-LUG HUB

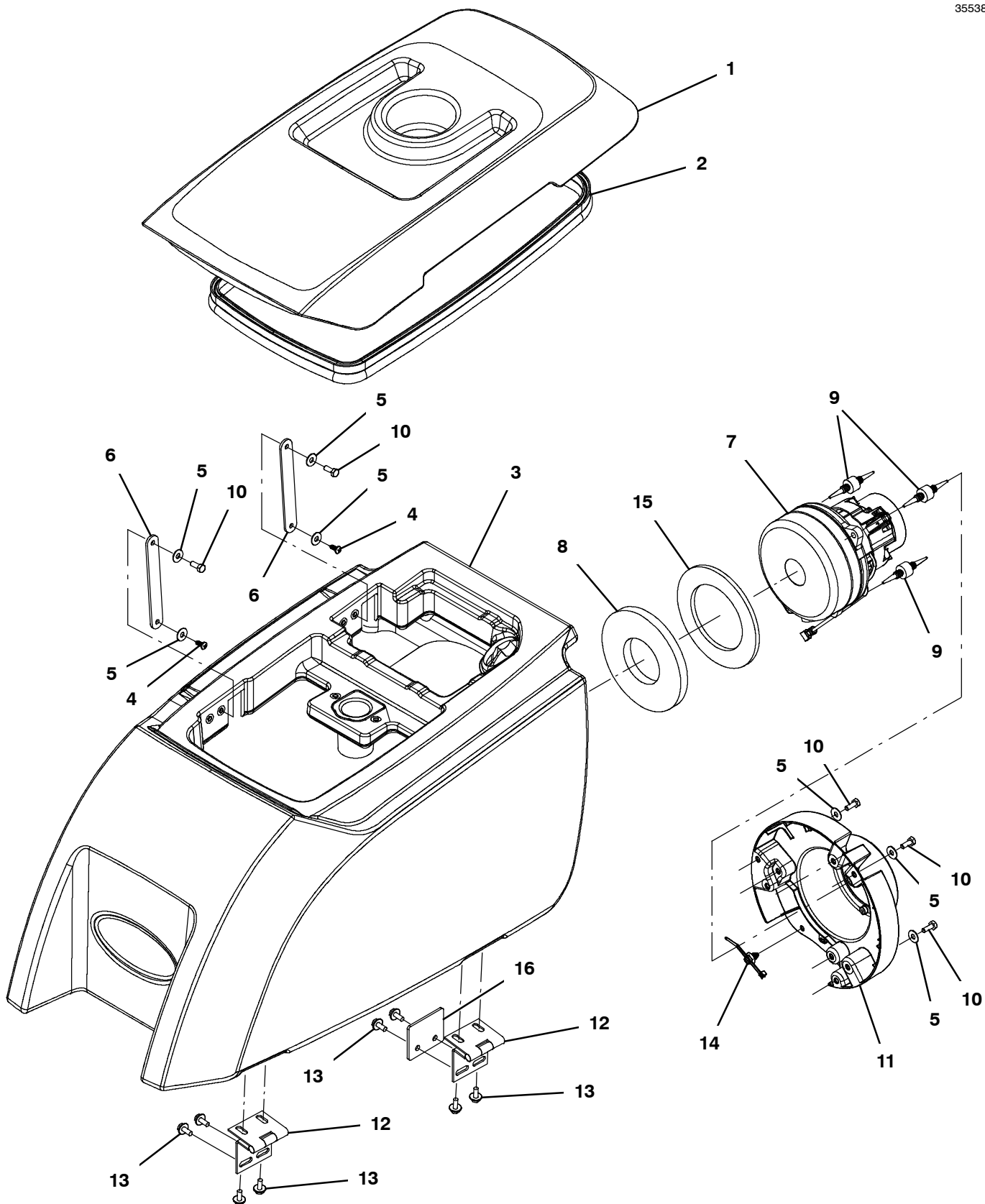
Ref.	Part No.	Serial Number	Description	Qty.
▽	1	1226976	(00780-) Motor, Ele, 24vdc 0215rpm 650w, 17mm	1
▲		1227273	(00780-) Vr, Brush Kit, Motor, Ele (4pc)	1
▲	2	1014328	(00000-) Key, Sq, 05mm X 05mm, 25mm	1
▽	1	1210703	(00000- 00779) Motor, Ele, 24vdc 0200rpm 1.00hp, 17mm (Replaced By 9015159)	1
▲		1045790	(00000- 00779) Brush Kit, Replmt,Carbon 24vdc[1pk=1set](4Pc)	1
▲	2	1014328	(00000-) Key, Sq, 05mm X 05mm, 25mm	1
	3	08713	(00000-) Nut, Hex, Lock, M8 X 1.25, NI, Ss	1
	4	01685	(00000-) Washer, Flat, 0.38b 0.88d .08, Ss	2
	5	222460	(00000-) Sleeve, P/M, 0.32b 0.50d 0.5l [430ss]	1
	6	1010560	(00000-) Wheel, Bmpr, 80d X 25w, Non- Marking	1
	7	1016005	(00000-) Screw, Hex, M6 X 1.00 X 25, NI, FI, Ss	4
	8	01684	(00000-) Washer, Flat, 0.27b 0.69d .05, Ss	4
	9	1074344	(00000-) Harness, Ele [Ring With .250m Tail]	1
	10	1210807	(00000-) Wire, Tie [W/.25" Fir Tree Clip]	1
	11	9014145	(00000-) Hose, Afmkt, Pe, .375id .50od, 05ft	1
	12	1208041	(00000-) Housing, Head, 50cm	1
	13	1055025	(00000-) Bumper, Head, 50cm, W/ Bristle Skirt, Im	1
	14	1016399	(00000-) Screw, Hex, M8 X 1.25 X 30, NI, Ss	1
	15	1211242	(00000- 00339) Button, Plunger, Pad	1
	16	1212785	(00000- 00339) Spring, Cmpr, .66od, .05wir, 1.75l, Ss	1
	17	1211907	(00000- 00339) Pin, Stop, Short	1
	18	1020341	(00000-) Screw, Hex, M8 X 1.25 X 20, Ss, Sems	4
	19	1223980	(00340-) Plate Wldt, Head, Weighted	1
	20	1022549	(00000-) Spacer, Shaft, 17.15b 30.0d 3.0l, Ss	1
	21	1219855	(00340-) Hub, Drive, 3lug, Alm- Nyl, 17mm[T2,T300]	1
	22	1017218	(00000-) Washer, Flat, 0.32b 1.00d .12, Ss	1
	23	1020341	(00000-) Screw, Hex, M8 X 1.25 X 20, Ss, Sems	1
	24	1013188	(00000-) Clip, Spring, Drive Hub, Release [T3]	1
	25	1011201	(00000-) Plate, Drive Hub, Release Clip [T3]	1
	26	01683	(00000- 00339) Washer, Flat, 10, Ss	2
	27	07514	(00000- 00339) Washer, Lock, Int, 10, Ss	2
	28	09200	(00000- 00339) Screw, Pan, Phl, M5 X 0.80 X 12, Ss	2
	29	1210590	(00000- 00339) Plate Wldt, Head, Weighted (Replaced By Kit 9014801)	1
	30	1210676	(00000- 00339) Hub, Drive, 3 Lug [Machined] (Replaced By Kit 9014623)	1
	31	140197	(00340-) Screw, Trs, Phl, 10- 24 X 0.38, Sems, Ss	2
	32	1221972	(00340-) Plug, Hole, Oval, Head, Hsng, Abs [T300]	1
	33	02431	(00340-) Plug, Hole, Rnd, 0.56h .03- .12, Blk Nyl	1

▽ ASSEMBLY

▲ INCLUDED IN ASSEMBLY

RECOVERY TANK GROUP, BASE MODEL

355389



RECOVERY TANK GROUP, BASE MODEL

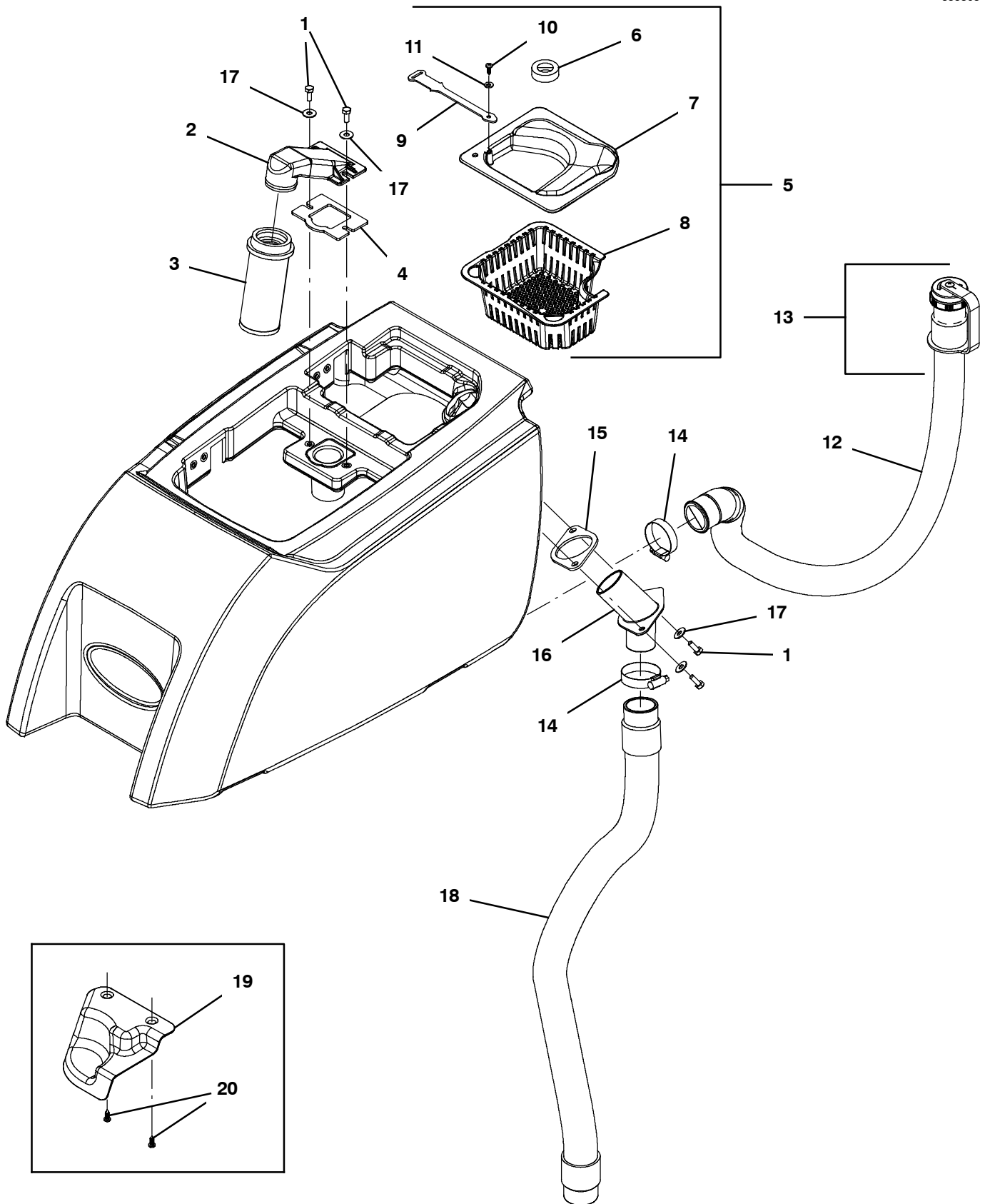
Ref.	Part No.	Serial Number	Description	Qty.
▽	1	9014674	(00000-) Kit, Cover, Recvy, Ci [Exp]	1
▲	2	1210472	(00000-) Seal, Afrmkt, Bulb, 0.50d .13grip, 05ft	1
	3	TN9014151A	(00000-) Kit, Tank, Recvy w/Labels [A300]	1
	4	1018155	(00000-) Screw, Pan, Phl, M5 X 0.80 X 16, Tcut, Ss	2
	5	01684	(00000-) Washer, Flat, 0.27b 0.69d .05, Ss	7
	6	1212553	(00000-) Strap, Retaining, Cover, 125.0l	2
▽	7	1219312	(00000-) Fan, Vacuum, 5.7d, 024vdc, 2 Stage	1
▲		372883	(00000-) Vr, Brush Kit, Motor, Ele (1 Pkg = 2 Pcs)	1
	8	100038	(00000-) Gasket, .50, 02.63id 05.75od, Adh [Epdm]	1
	9	1062016	(00000-) Isolator, Vib, .75d	3
	10	11329	(00000-) Screw, Hex, M6 X 1.00 X 16, NI, Ss	5
	11	1207368	(00000-) Mount, Vacfan, 5.7/6.6	1
	12	1209466	(00000-) Hinge, 6mm Pin 2.5 73.5mmw 60.0mml, Bent	2
	13	1034731	(00000-) Screw, Hex, M6 X 1.00 X 16, Sems, Ss	8
	14	1210807	(00000-) Wire, Tie [W/.25" Fir Tree Clip]	1
	15	100118	(00000-) Gasket, Vac Mtr 1/4 X 5.7d	1
	16	1220553	(00000-) Plate, Hinge, Doublor	1

▽ ASSEMBLY

▲ INCLUDED IN ASSEMBLY

RECOVERY TANK FILTER AND HOSE GROUP, SCREW CAP

355303



RECOVERY TANK FILTER AND HOSE GROUP, SCREW CAP

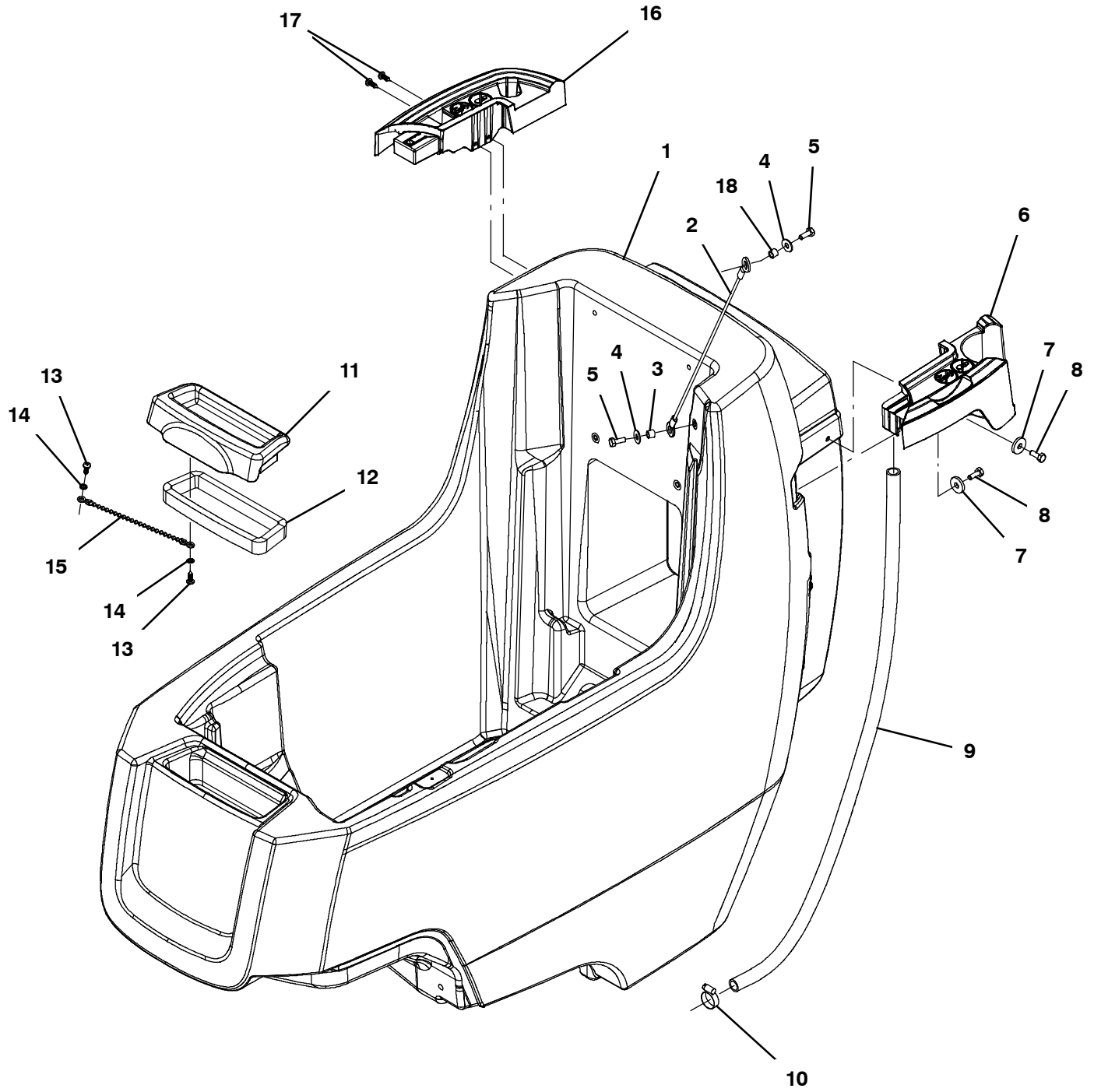
Ref.	Part No.	Serial Number	Description	Qty.	
1	11329	(00000-) Screw, Hex, M6 X 1.00 X 16, NI, Ss	4	
2	1011777	(00000-) Mount, Float, Mold	1	
3	630052	(00000-) Float, Shut- Off, (2)Ball, 1.75d	1	
4	1013628	(00000-) Gasket, Mtg, Float, .125th, Neo, Adh	1	
▽	5	9014872	(00400-) Kit, Deflector, Tray, Debris, Cl, [T300]	1
▲	6	1225187	(00400-) Seal, Rbr, Clsd, 12.7 Th , 24.0ld, 40.0Od	1
▲	7	1224899	(00400-) Deflector, Tray, Debris	1
▲	8	1207357	(00000-) Tray, Debris, Tank, Recvy [T300]	1
▲	9	1225172	(00400-) Strap, Retaining, Deflector, 150.0L	1
▲	10	1018155	(00400-) Screw, Pan, Phl, M5 X 0.80 X 16, Tcut,Ss	1
▲	11	01683	(00400-) Washer, Flat, 10, Ss	1
▽	12	1213010	(00000-) Hose Assy, Drain, 1.5d 017l 1.5/Cap[Pvc] (Black)	1
▲	13	1218955	(00000-) Cap, Drain Assy [Black]	1
	14	11531	(00000-) Clamp, Hose, Wormdrive, 1.06- 2.00d, .56w	2
	15	1037106	(00000-) Gasket, Adapter, Hose .13, Neo	1
	16	1207196	(00000-) Tube, Hose, Adapter, 1.5d [T300]	1
	17	01684	(00000-) Washer, Flat, 0.27b 0.69d .05, Ss	4
	18	1211220	(00000-) Hose Assy,W/2cuff,1.5d 022l 1.5/1.5[Pvc] (Black)	1
	19	1210214	(00000- 00399) Deflector, Water, Recvy (Replaced By 9014872)	1
	20	1018155	(00000- 00399) Screw, Pan, Phl, M5 X 0.80 X 16, Tcut,Ss	2

▽ ASSEMBLY

▲ INCLUDED IN ASSEMBLY

SOLUTION TANK GROUP

355390



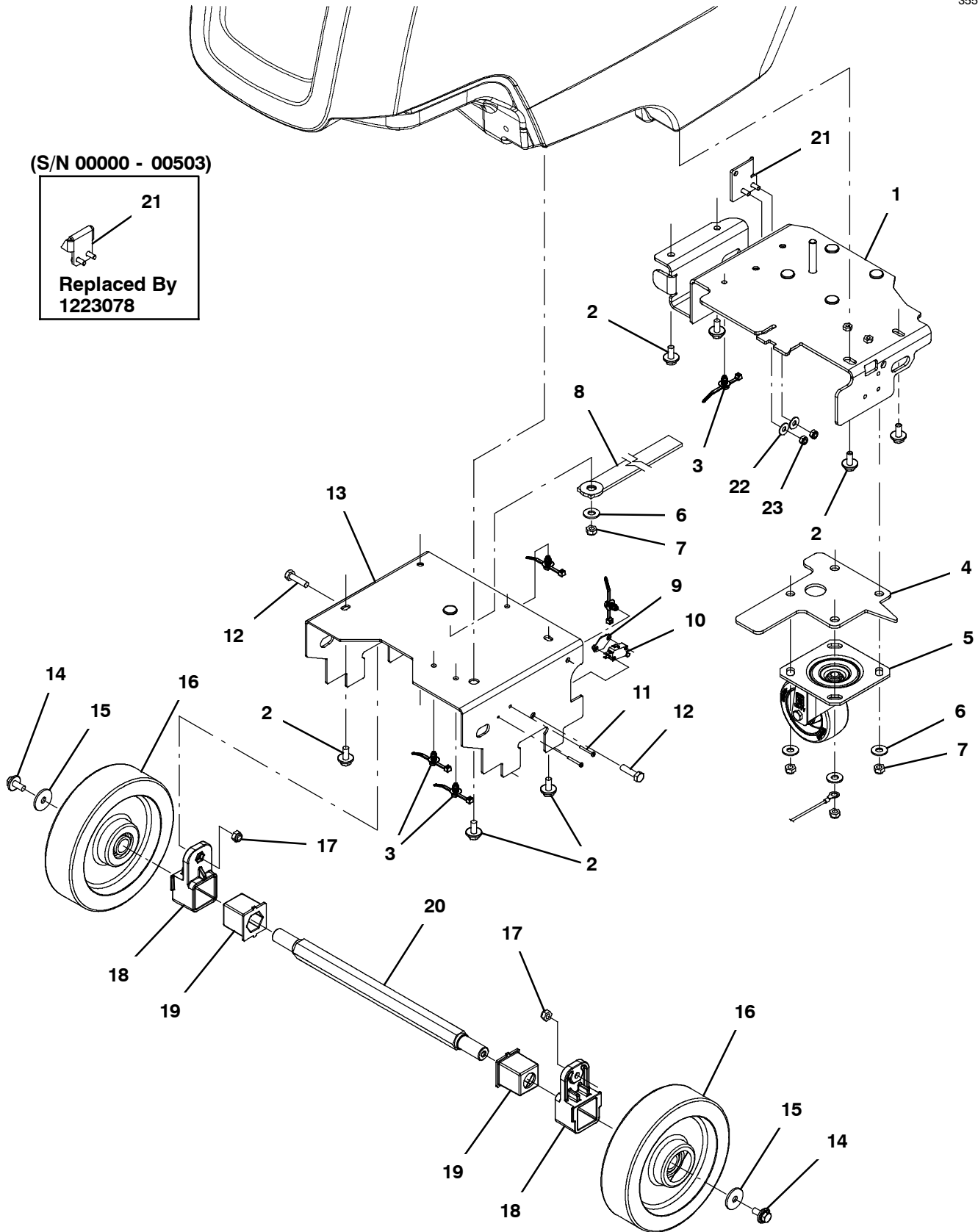
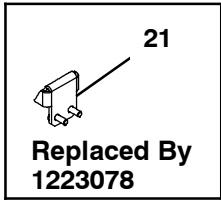
SOLUTION TANK GROUP

Ref.	Part No.	Serial Number	Description	Qty.
1	TN9014156A	(00000-) Kit, Tank, Soltn w/Labels [A300]	1
2	391368	(00000-) Cable, Glv .09d 016.5l .38eye /.38eye	1
3	140154	(00000-) Sleeve, P/M, 0.25b 0.38d 0.3l, Pl	1
4	01684	(00000-) Washer, Flat, 0.27b 0.69d .05, Ss	2
5	11329	(00000-) Screw, Hex, M6 X 1.00 X 16, NI, Ss	2
6	1214264	(00000-) Tray, Accssry, Lh, 16mm Screw	1
7	140053	(00000-) Washer, Flat, 0.28b 0.88d .12, Ss	2
8	11329	(00000-) Screw, Hex, M6 X 1.00 X 16, NI, Ss	2
9	20778	(00000-) Hose, Pvc, Clr, 0.50id 0.69od 030.0l	1
10	54333	(00000-) Clamp, Hose, Wormdrive, 0.31- 0.88d, .31w	1
11	9014408	(00000-) Kit, Cvr, Fill, W/ Ech20, Ci [Ce]	1
11	9014409	(00000-) Kit, Cvr, Fill, Ci [Ce]	1
12	1046428	(00000-) Seal, Afmkt, Rbr, Clsd, Adh, 02ft	1
13	1018155	(00000-) Screw, Pan, Phl, M5 X 0.80 X 16, Tcut,Ss	2
14	07514	(00000-) Washer, Lock, Int, 10, Ss	2
15	621443	(00000-) Chain, Ball, 10, 0157mml, Ss	1
16	1214249	(00000-) Tray, Accssry, Rh, 16mm Screw	1
17	1018155	(00000-) Screw, Pan, Phl, M5 X 0.80 X 16, Tcut,Ss	2
18	80491	(00000-) Sleeve, P/M, 0.25b 0.38d 0.2l [430ss]	1

FRAME GROUP, PUSH MODEL

355391

(S/N 00000 - 00503)

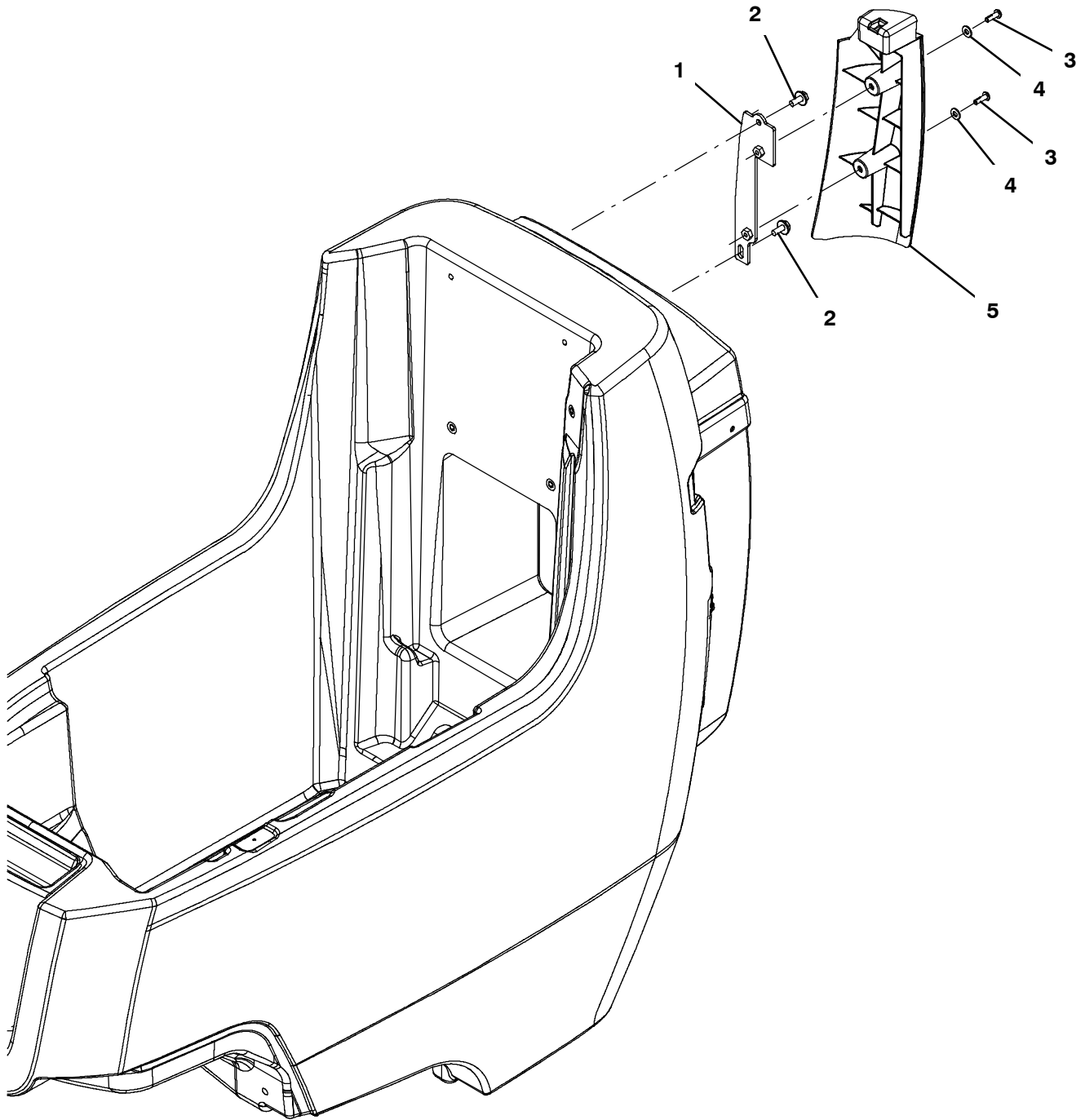


FRAME GROUP, PUSH MODEL

Ref.	Part No.	Serial Number	Description	Qty.
1	1208498	(00000-) Frame Wldt, Rear	1
2	1020341	(00000-) Screw, Hex, M8 X 1.25 X 20, Ss, Sems	8
3	1210807	(00000-) Wire, Tie [W/.25" Fir Tree Clip]	5
4	1215093	(00000-) Spacer, Caster	1
5	1212422	(00000-) Caster, Swivel [Wicke 224051]	1
6	01685	(00000-) Washer, Flat, 0.38b 0.88d .08, Ss	5
7	08713	(00000-) Nut, Hex, Lock, M8 X 1.25, NI, Ss	5
8	71579	(00000-) Strap, Static, W/Grommet, .19 1.1w 25.0l	1
9	1013705	(00000-) Plate, Thread, Switch, M3 Nut, 96hr PI	1
10	1215716	(00000-) Switch, 0.1a, Spdt[Micro, Gold Contacts]	1
11	33933	(00000-) Screw, Pan, Phl, M3 X 0.50 X 25, Ss	2
12	09011	(00000-) Screw, Hex, M8 X 1.25 X 30, Ss	2
13	1211968	(00000-) Frame Wldt, Front	1
14	1020341	(00000-) Screw, Hex, M8 X 1.25 X 20, Ss, Sems	2
15	1016331	(00000-) Washer, Flat, 0.34b 1.25d .11, Ss	2
16	1223724	(00000-) Wheel, Scrbr, 8.00d, W/ Brg	2
17	08713	(00000-) Nut, Hex, Lock, M8 X 1.25, NI, Ss	2
18	1028292	(00000-) Adapter, Mtg, Axle, Alm [T3]	2
19	1028381	(00000-) Grommet, Axle [Tpu, T3 Push]	2
20	1028382	(00000-) Axle, Wheel, Hex, Clr Zn [T3 Push]	1
21	1223078	(00504-) Bracket Wldt, Latch	1
21	1013946	(00000- 00503) Bracket, Locking, Pedal, Foot	1
22	01684	(00000-) Washer, Flat, 0.27b 0.69d .05, Ss	2
23	08712	(00000-) Nut, Hex, Lock, M6 X 1.00, NI, Ss	2
N/S	9015156	(00780-) Harness Kit, Main, Ele [Vw, Base, Push]	1
N/S	1073677	(00000- 00779) Harness, Main, Ele [Vw, Base, Push] (Replaced By 9015156)	1
N/S	1073593	(00000-) Harness, Ele [Vw, Op.Stat, Push]	1

SINGLE DOWN PRESSURE GROUP

355284

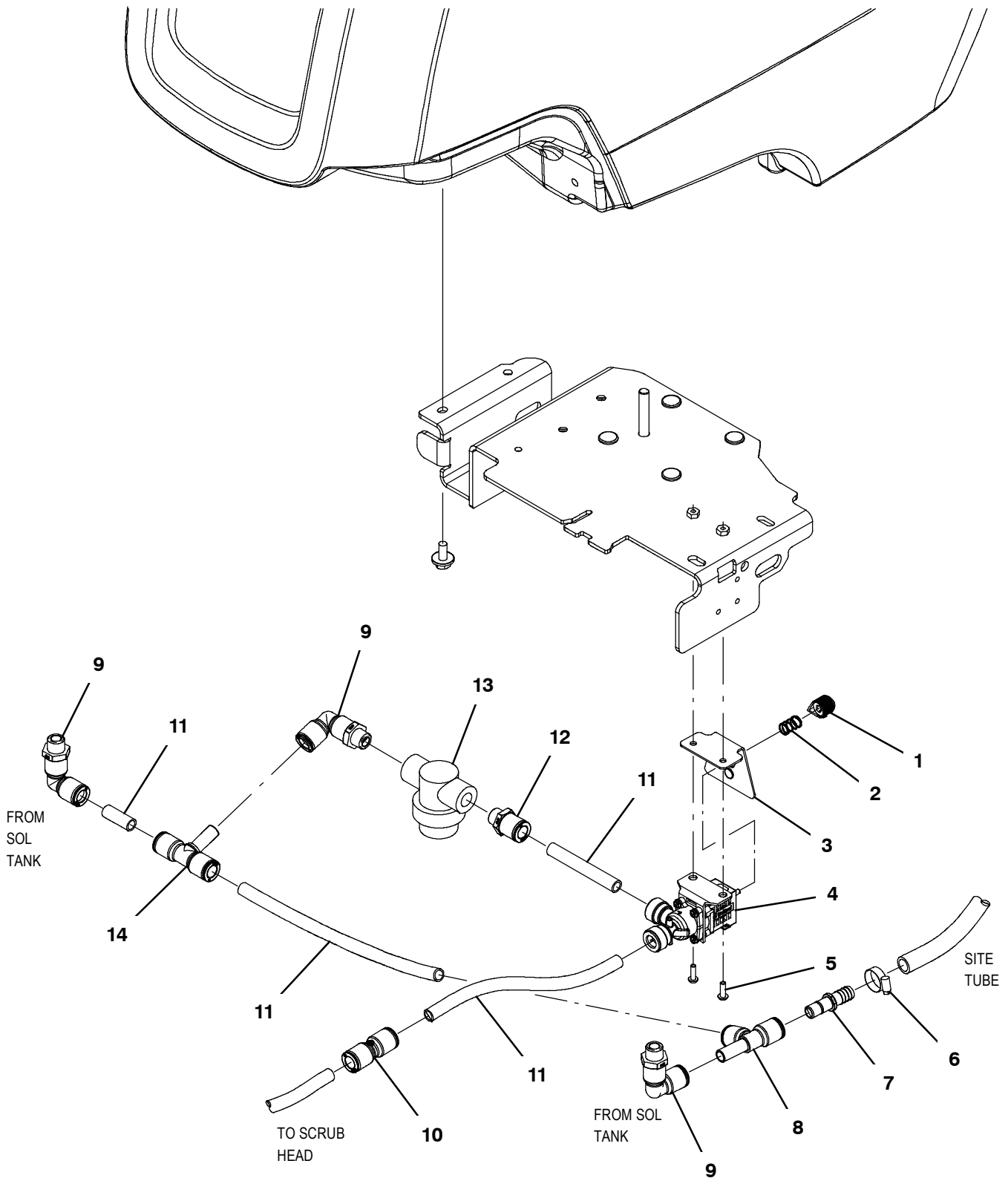


SINGLE DOWN PRESSURE GROUP

Ref.	Part No.	Serial Number	Description	Qty.
1	1214330	(00000-) Bracket Wldt, Mtg, Cover	1
2	1034731	(00000-) Screw, Hex, M6 X 1.00 X 16, Sems, Ss	2
3	1205799	(00000-) Screw, Btn, M5 X 0.8 X 16, 8.8, NI, Torx	2
4	01683	(00000-) Washer, Flat, 10, Ss	2
5	1212336	(00000-) Cover, Pulley Assy, Down- Press	1

SOLUTION GROUP, BASE MODEL

355307



SOLUTION GROUP, BASE MODEL

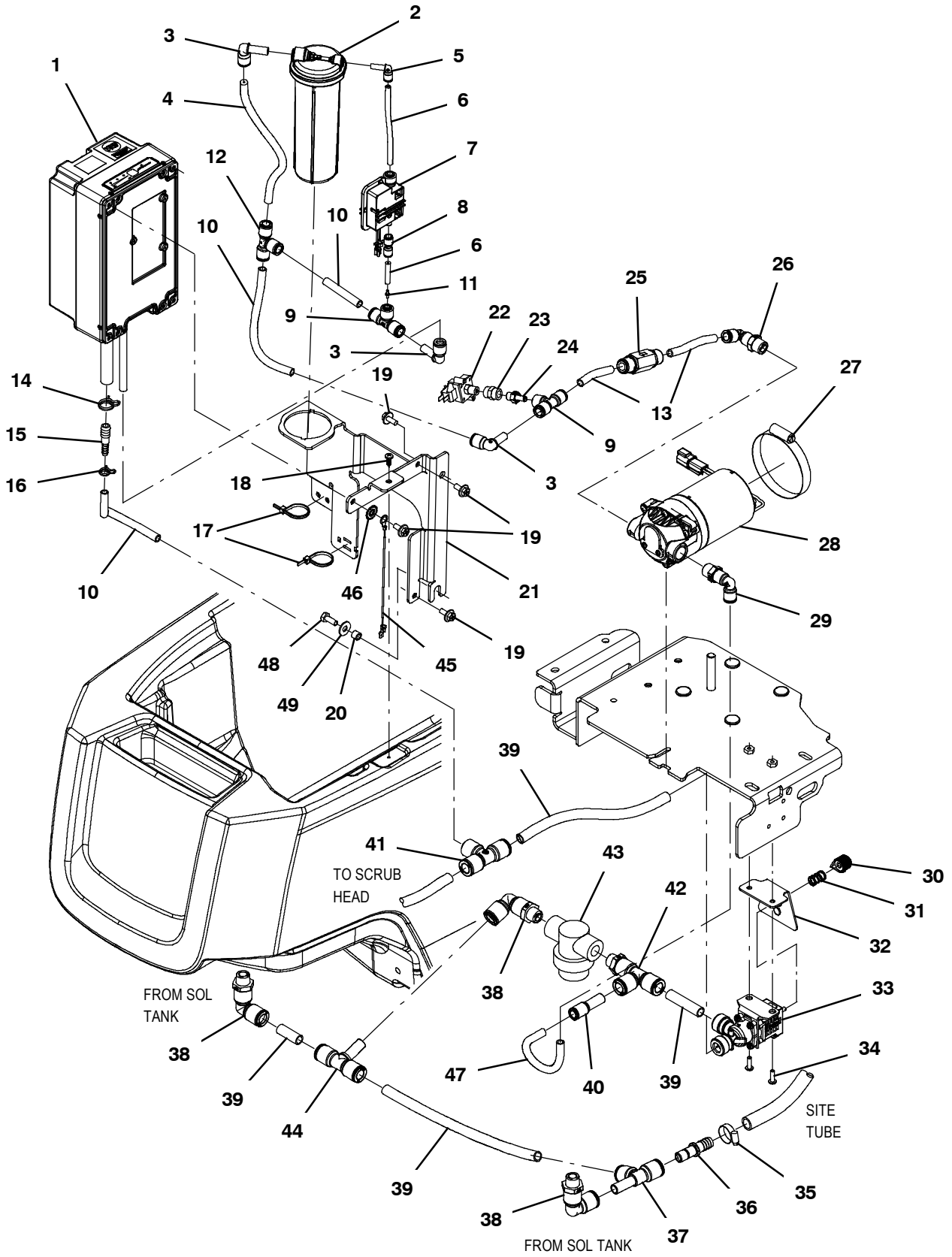
Ref.	Part No.	Serial Number	Description	Qty.	
1	1013442	(00000-) Knob, Valve, 0.70d 0.61l, 0.21b	1	
2	1017091	(00000-) Spring, Cmpr, 0.50od .04wir 00.8l	1	
3	1210041	(00000-) Bracket Wldt, Mtg, Valve, Soltn	1	
4	1211423	(00000-) Valve, Water, Solenoid, 24vdc Qf08/Qf08	1	
5	1205799	(00000-) Screw, Btn, M5 X 0.8 X 16, 8.8, NI, Torx	2	
6	54333	(00000-) Clamp, Hose, Wormdrive, 0.31- 0.88d, .31w	1	
7	1212807	(00000-) Fitting, Plstc, Str, Qm08/Bm08	1	
8	1212806	(00000-) Fitting, Plstc, Tee, Qf08/Qf08/Qm08	1	
9	1212987	(00000-) Fitting, Plstc, E90, Qf08/Pm06, Swivel	3	
10	1212859	(00000-) Fitting, Plstc, Str, Qf08/Qf08	1	
11	9014145	(00000-) Hose, Afrmkt, Pe, .375id .50od, 05ft	1	
12	1212813	(00000-) Fitting, Plstc, Str, Qf08/Pm06	1	
▽	13	1211537	(00000-) Filter, In- Line, Pf06/Pf06 080m 2.6l Epd	1
▲		1218885	(00000-) Gasket [Epdm, F/1211537]	1
▲		1218883	(00000-) Screen, Fltr, 80 Mesh, Ss [W/ Cage]	1
▲	613991	(00000-) Bowl, Clr, Short, F/1005302	1	
14	1212810	(00000-) Fitting, Plstc, Tee, Qm08/Qf08/Qf08	1	

▽ ASSEMBLY

▲ INCLUDED IN ASSEMBLY

SOLUTION GROUP, BASE MODEL ec- H2O

355309



SOLUTION GROUP, BASE MODEL ec- H2O

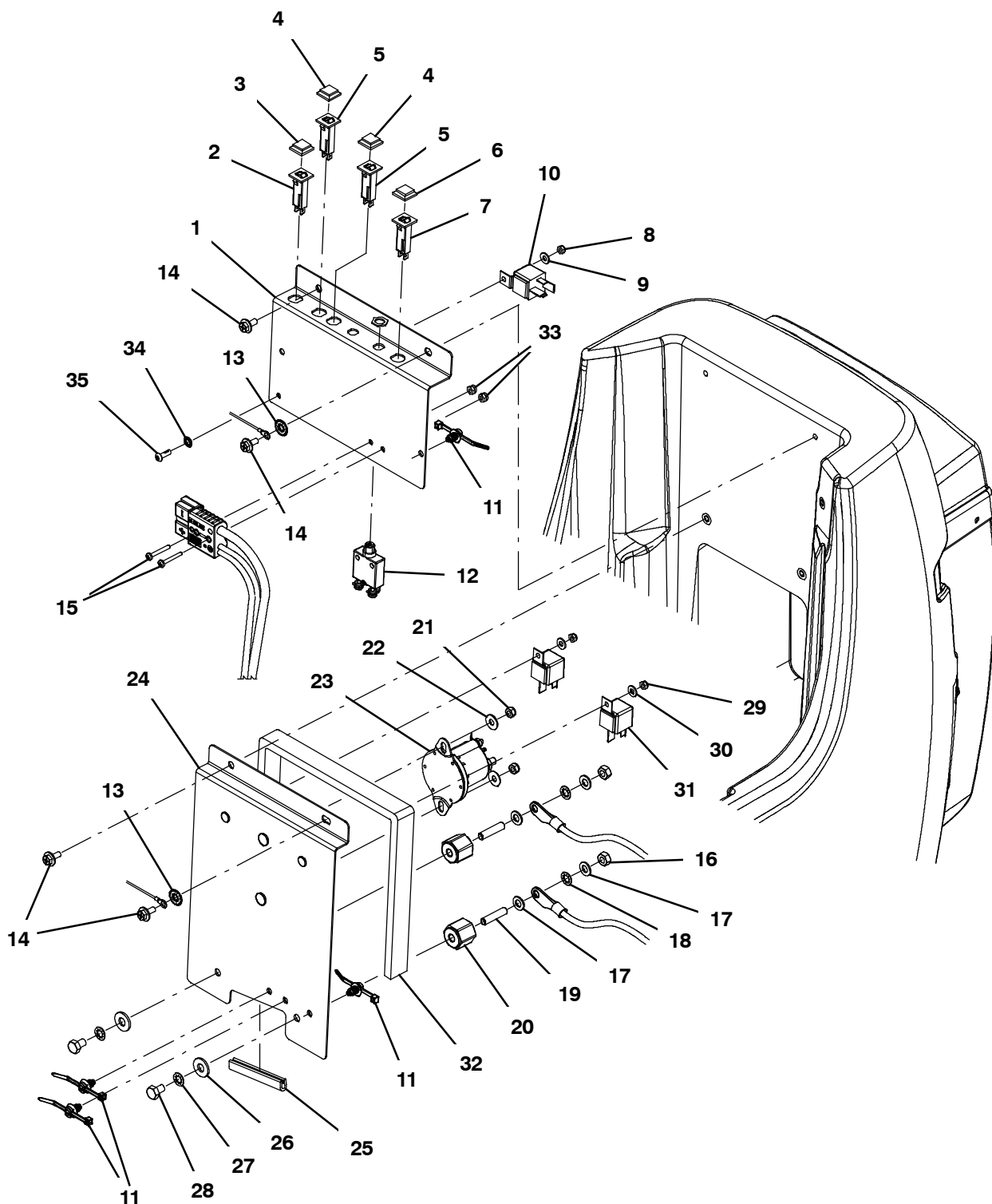
Ref.	Part No.	Serial Number	Description	Qty.
▽	1	9011810	(00000-) Module Kit, Replmt [Ec- H2o, B 02] (See Breakdowns)	1
▲	2	9013646	(00000-) Cartridge, Ec- H2o Nanoclean Wcm, 270ml	1
	3	1215186	(00000-) Fitting, Plstc, E90, Qf06/Qm06	1
	4	9014146	(00000-) Hose, Afrmkt, Pvc, 0.06id .38od, 05ft	1
	5	1214339	(00000-) Fitting, Plstc, E90, Qfo4/Qm04	1
	6	9014147	(00000-) Hose, Afrmkt, Pvc, 0.06id .25od, 05ft	1
	7	1216973	(00000-) Pump Assy, Dispenser	1
	8	1218192	(00000-) Fitting, Plstc, Str, Qf04/Qf04	1
	9	1212855	(00000-) Fitting, Plstc, Tee, Qf04/Qf06/Qf06	2
	10	1006415	(00000-) Hose, Afrmkt, Pvc, Clr, 0.25id, 03ft	1
	11	1214972	(00000-) Fitting, Orifice, Str, Bm01/Bm01	1
	12	1212573	(00000-) Fitting, Plstc, Tee, Qf06/Qf06/Qf06	1
	13	9014148	(00000-) Hose, Afrmkt, Pe, .125id .25od, 06ft	1
	14	607775	(00000-) Clamp, Hose, Wir, .63 - .66, Blk	1
	15	1039557	(00000-) Fitting, Plstc, Str, Bm04/Bm06	1
	16	613735	(00000-) Clamp, Hose, Wir, .40 - .42, Yel	1
	17	130773	(00000-) Tie, Cable, Nyl, 11.0l, .14w, 3.0 Max. D	2
	18	1018155	(00000-) Screw, Pan, Phl, M5 X 0.80 X 16, Tcut, Ss	1
	19	1034731	(00000-) Screw, Hex, M6 X 1.00 X 16, Sems, Ss	5
	20	140154	(00000-) Sleeve, P/M, 0.25b 0.38d 0.3l, PI	1
	21	1209249	(00000-) Bracket, Mtg, Ec- H2O Module [T300]	1
	22	1044335	(00000-) Switch, Press, 6psi, Pm02	1
	23	150307	(00000-) Fitting, Brs, Str, Pf02/Pf02, Cplg	1
	24	1216185	(00000-) Fitting, Plstc, Str, Qm04/Pm02	1
	25	1215527	(00000-) Valve, Check, 1.0 Psi Qf06/Qf06	1
	26	1212812	(00000-) Fitting, Plstc, E90, Qf06/Pm06, Swivel	1
	27	43555	(00000-) Clamp, Hose, Wormdrive, 2.62- 3.50d	1
	28	1210517	(00000-) Pump, Soltn, Ele, 24vdc, 35 Psi	1
	29	1212812	(00000-) Fitting, Plstc, E90, Qf06/Pm06, Swivel	1
	30	1013442	(00000-) Knob, Valve, 0.70d 0.61l, 0.21b	1
	31	1017091	(00000-) Spring, Cmpr, 0.50od .04wir 00.8l	1
	32	1210041	(00000-) Bracket Wldt, Mtg, Valve, Soltn	1
	33	1211423	(00000-) Valve, Water, Solenoid, 24vdc Qf08/Qf08	1
	34	1205799	(00000-) Screw, Btn, M5 X 0.8 X 16, 8.8, NI, Torx	2
	35	54333	(00000-) Clamp, Hose, Wormdrive, 0.31- 0.88d, .31w	1
	36	1212807	(00000-) Fitting, Plstc, Str, Qm08/Bm08	1
	37	1212806	(00000-) Fitting, Plstc, Tee, Qf08/Qf08/Qm08	1
	38	1212987	(00000-) Fitting, Plstc, E90, Qf08/Pm06, Swivel	3
	39	9014145	(00000-) Hose, Afrmkt, Pe, .375id .50od, 05ft	1
	40	1215218	(00000-) Fitting, Plstc, Str, Qf06/Qm08	1
	41	1212875	(00000-) Fitting, Plstc, Tee, Qf06/Qf08/Qf08	1
	42	1212808	(00000-) Fitting, Plstc, Tee, Qf08/Qf08/Pm06	1
▽	43	1211537	(00000-) Filter, In- Line, Pf06/Pf06 080m 2.6l Epd	1
▲		1218885	(00000-) Gasket [Epdm, F/1211537]	1
▲		1218883	(00000-) Screen, Fltr, 80 Mesh, Ss [W/ Cage]	1
▲		613991	(00000-) Bowl, Clr, Short, F/1005302	1
	44	1212810	(00000-) Fitting, Plstc, Tee, Qm08/Qf08/Qf08	1
	45	1074344	(00000-) Harness, Ele [Ring With .250m Tail]	1
	46	41140	(00000-) Washer, Lock, Int- Ext, 0.25	1
	47	1006415	(00000-) Hose, Afrmkt, Pvc, Clr, 0.25id, 03ft	1
	48	11329	(00000-) Screw, Hex, M6 X 1.00 X 16, NI, Ss	1
	49	01684	(00000-) Washer, Flat, 0.27b 0.69d .05, Ss	1

▽ ASSEMBLY

▲ INCLUDED IN ASSEMBLY

ELECTRICAL COMPONENTS GROUP, BASE MODEL

355392

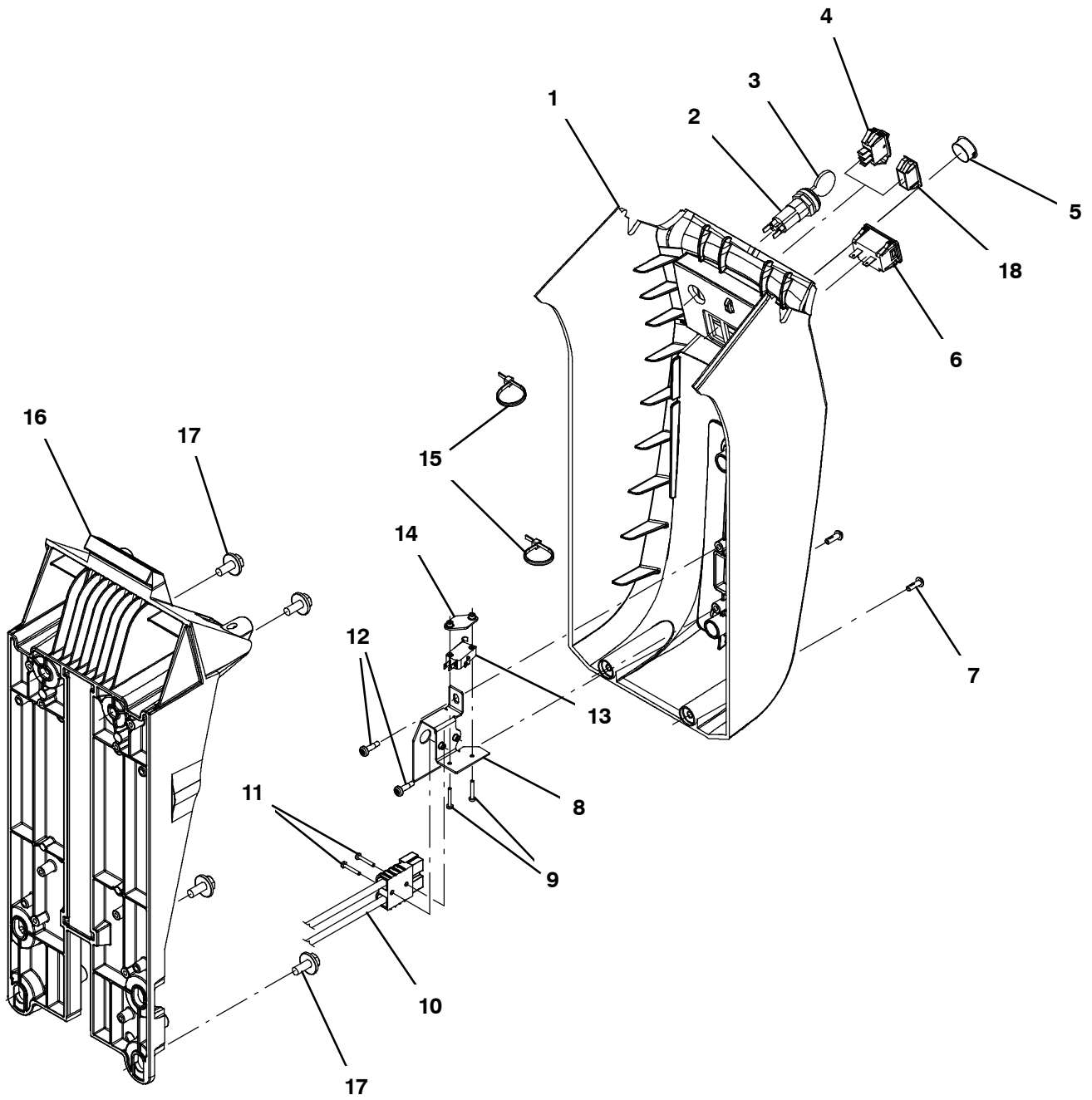


ELECTRICAL COMPONENTS GROUP, BASE MODEL

Ref.	Part No.	Serial Number	Description	Qty.
1	9014188	(00000-) Bracket Wldt, Afmkt, Mtg [Circuitbrkrs]	1
2	1208816	(00000-) Circuitbreaker, 04.0a, Resetable	1
3	1064191	(00000-) Boot, Circuitbreaker	1
4	1064191	(00000-) Boot, Circuitbreaker (ec- H2O Option)	2
5	1208816	(00000-) Circuitbreaker, 04.0a, Resetable (ec- H2O Option)	2
6	1064191	(00000-) Boot, Circuitbreaker	1
7	1064189	(00000-) Circuitbreaker, 20.0a, Resetable	1
8	09739	(00000-) Nut, Hex, Lock, M5 X 0.80, NI, Ss (ec- H2O Option)	1
9	01683	(00000-) Washer, Flat, 10, Ss (ec- H2O Option)	1
10	1012216	(00000-) Relay, 24vdc, 070a, Spst No, Plug- In (ec- H2O Option)	1
11	1210807	(00000-) Wire, Tie [W/.25" Fir Tree Clip]	4
12	1074526	(00000-) Circuitbreaker, 37.0a	1
13	41140	(00000-) Washer, Lock, Int- Ext, 0.25	2
14	1034731	(00000-) Screw, Hex, M6 X 1.00 X 16, Sems, Ss	4
15	33931	(00000- 00770) Screw, Pan, Phl, M4 X 0.70 X 30, Ss	2
16	41361	(00000-) Nut, Hex, Std, M8 X 1.25, Brs	2
17	1209373	(00000-) Washer, Flat, M8.4b X 16d X 1.6, Brs	4
18	43952	(00000-) Washer, Lock, Int, 0.31, Ss	2
19	607461	(00000-) Screw, Set, M8 X 1.25 X 35, NI	2
20	1205345	(00000-) Stand- Off, Wir, M8, Insulator, Panel	2
21	09739	(00000-) Nut, Hex, Lock, M5 X 0.80, NI, Ss	2
22	01684	(00000-) Washer, Flat, 0.27b 0.69d .05, Ss	2
23	1066409	(00000-) Relay, 24vdc, 150a, No [Trombetta]	1
24	1208619	(00000-) Bracket Wldt, Mtg, Ele	1
25	1020174	(00000-) Molding, Afmkt, Trim, Pvc, .08 .11, 03ft	1
26	01685	(00000-) Washer, Flat, 0.38b 0.88d .08, Ss	2
27	32984	(00000-) Washer, Lock, Int, 0.31	2
28	386868	(00000-) Screw, Hex, M8 X 1.25 X 12, Ss	2
29	09739	(00000-) Nut, Hex, Lock, M5 X 0.80, NI, Ss	2
30	01683	(00000-) Washer, Flat, 10, Ss	2
31	1012216	(00000-) Relay, 24vdc, 070a, Spst No, Plug- In	2
32	1208628	(00000-) Gasket, Cover, Circuitboard	1
33	02850	(00000- 00770) Nut, Hex, Lock, M4 X 0.70, NI	2
34	07515	(00000- 00770) Washer, Lock, Int, 0.25, Ss	1
35	1205799	(00000- 00770) Screw, Btn, M5 X 0.8 X 16, 8.8, NI, Torx	1

LOWER CONSOLE GROUP, OFF- BOARD CHARGER

355393



LOWER CONSOLE GROUP, OFF- BOARD CHARGER

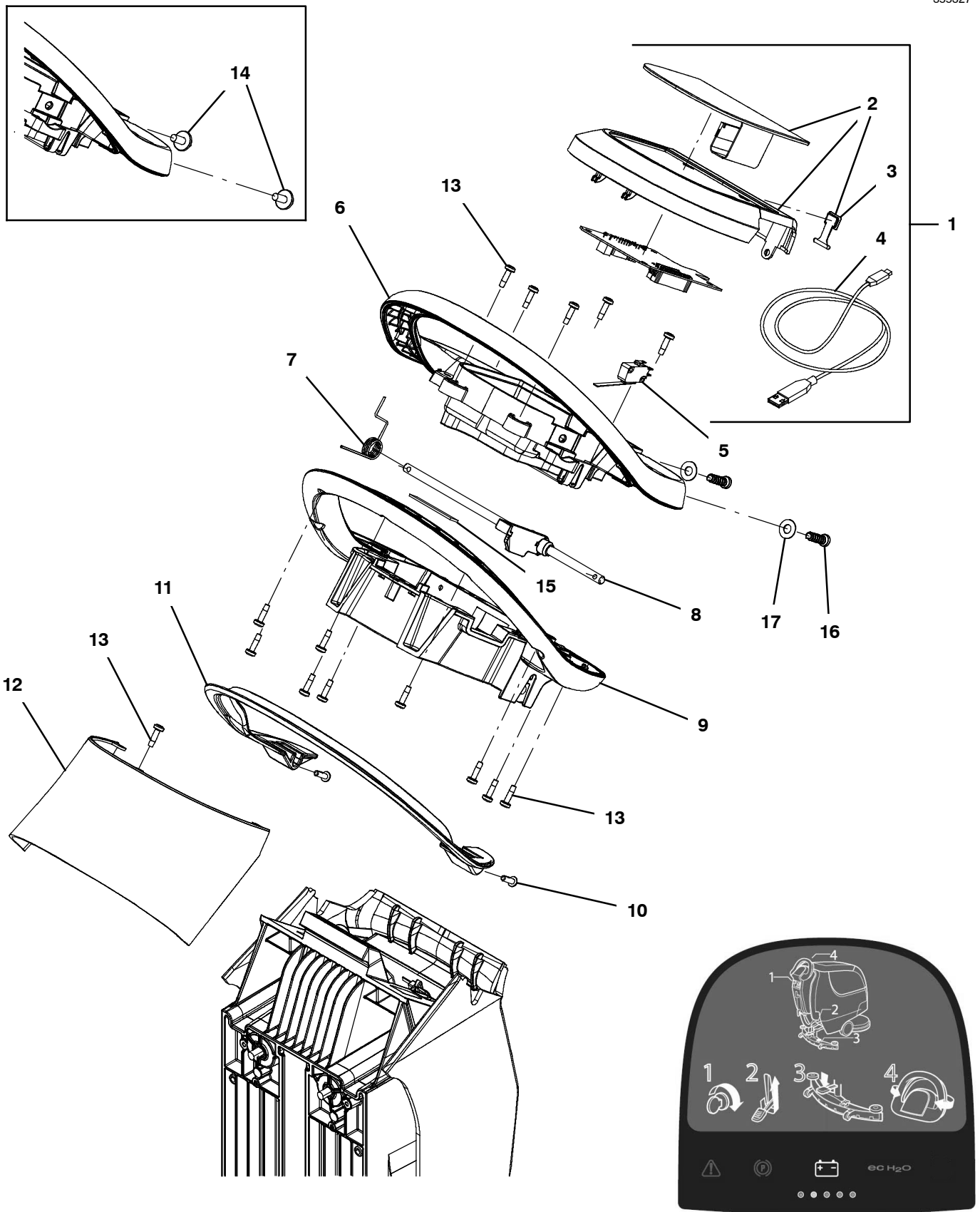
Ref.	Part No.	Serial Number	Description	Qty.
	1	9012791	(00000-) Cover, Console, Afmkt, W/ Label [Ce]	1
▽	2	1011402	(00000-) Switch, Key	1
▲	3	1017696	(00000-) Key Set, Replmt [F/ Keyswitch 1011402]	1
	4	1044393	(00000-) Switch, Rocker, Spst Mom (ec- H2O Option)	1
	5	130161	(00000-) Plug, Hole, Rnd, 0.88d, Blk (Push Model)	1
	6	1064038	(00000-) Gauge, Hourmeter, 05- 277 Volt, Ac / Dc	1
	7	1205799	(00000-) Screw, Btn, M5 X 0.8 X 16, 8.8, NI, Torx	2
	8	1208599	(00000-) Bracket Assy, Plug, Charger	1
	9	06922	(00000-) Screw, Pan, Phl, M3 X 0.50 X 20, 4.8	2
	10	1073634	(00000-) Harness, Chrgr, 12ga [M8 Ring/M8 Ring]	1
	11	06922	(00000-) Screw, Pan, Phl, M3 X 0.50 X 20, 4.8	2
	12	1043573	(00000-) Screw, #10- 14 X 0.675, Spl[Shcs,Selftap]	2
	13	1215716	(00000-) Switch, 0.1a, Spdt[Micro, Gold Contacts]	1
	14	1013705	(00000-) Plate, Thread, Switch, M3 Nut, 96hr PI	1
	15	130773	(00000-) Tie, Cable, Nyl, 11.0l, .14w, 3.0 Max. D	2
	16	1231373	(00441-) Frame, Column, Cntrl [Im], T600	1
	16	1216531	(00000- 00440) Frame, Column, Cntrl [Revised Machined]	1
	17	1020341	(00000-) Screw, Hex, M8 X 1.25 X 20, Ss, Sems	4
	18	582150	(00000-) Plug, Hole, Rt, 1.23 X 1.12, Nyl (Standard Model)	1

▽ ASSEMBLY

▲ INCLUDED IN ASSEMBLY

HANDLE GROUP, BASE PUSH MODEL

355327



HANDLE GROUP, BASE PUSH MODEL

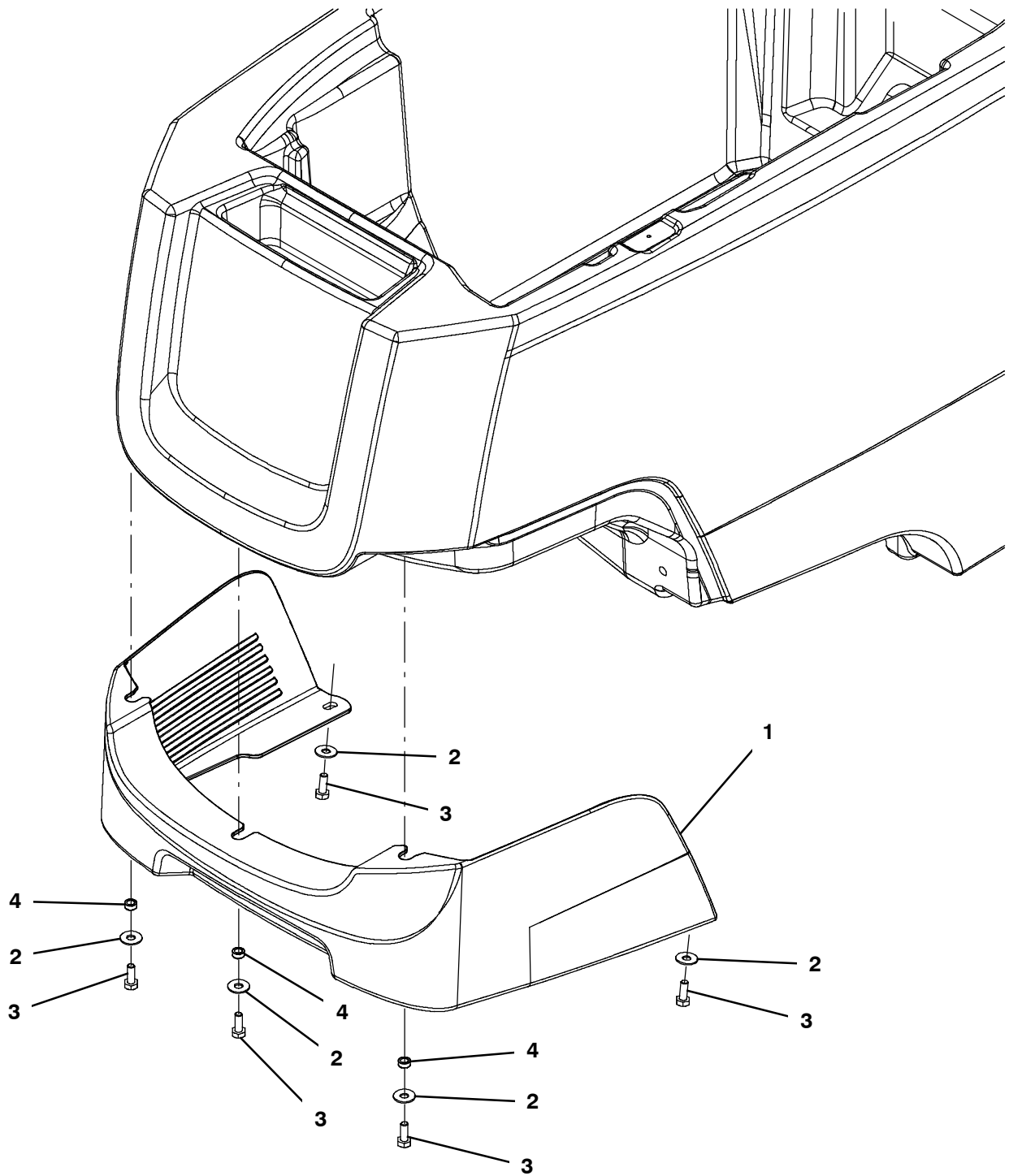
Ref.	Part No.	Serial Number	Description	Qty.
▽	1	9014130	(00000-) Bezel Kit, Push, Membrane, Ci [T300e/Ss] (Kit Includes Circuitboard)	1
▲▽	2	9014136	(00000-) Screen Kit, Push, Memb., Ci [T300e/Ss]	1
▲▲	3	1205618	(00000-) Cap, Usb	1
▲	4	1071235	(00000-) Cable [Usb, 2m, A- Male To Mini- B- Male]	1
	5	1205323	(00000-) Switch, 0.1a, Spdt [Micro, Straight]	1
	6	1203787	(00000-) Housing, Handle, Cntrl, Top	1
	7	1205781	(00000-) Spring, Return, Bail	1
	8	1205143	(00000-) Shaft Assy, Bail, Handle	1
	9	1222608	(00000-) Housing, Handle, Cntrl, Bottom, Slotted	1
	10	1205799	(00000-) Screw, Btn, M5 X 0.8 X 16, 8.8, NI, Torx	2
	11	1205778	(00000-) Handle, Bail [Machined]	1
	12	1207004	(00000-) Cover, Handle, Cntrl	1
	13	1043573	(00000-) Screw, #10- 14 X 0.675, Spl[Shcs,Selftap]	15
	14	1020341	(00000-) Screw, Hex, M8 X 1.25 X 20, Ss, Sems	2
	15	1020280	(00000-) Seal, Afmkt, Rbr, Clsd, Adh, 01ft	1
	16	1215863	(00331-) Screw, Pan, Torx, M8 X 3.5 X 25[Remform]	2
	17	140027	(00331-) Washer, Flat, 0.35b 0.75d .04, Ss	2
	N/S	1072524	(00000-) Harness, Ele [Bail Switch]	1

▽ ASSEMBLY

▲ INCLUDED IN ASSEMBLY

SHROUD GROUP, DISK HEAD

355299

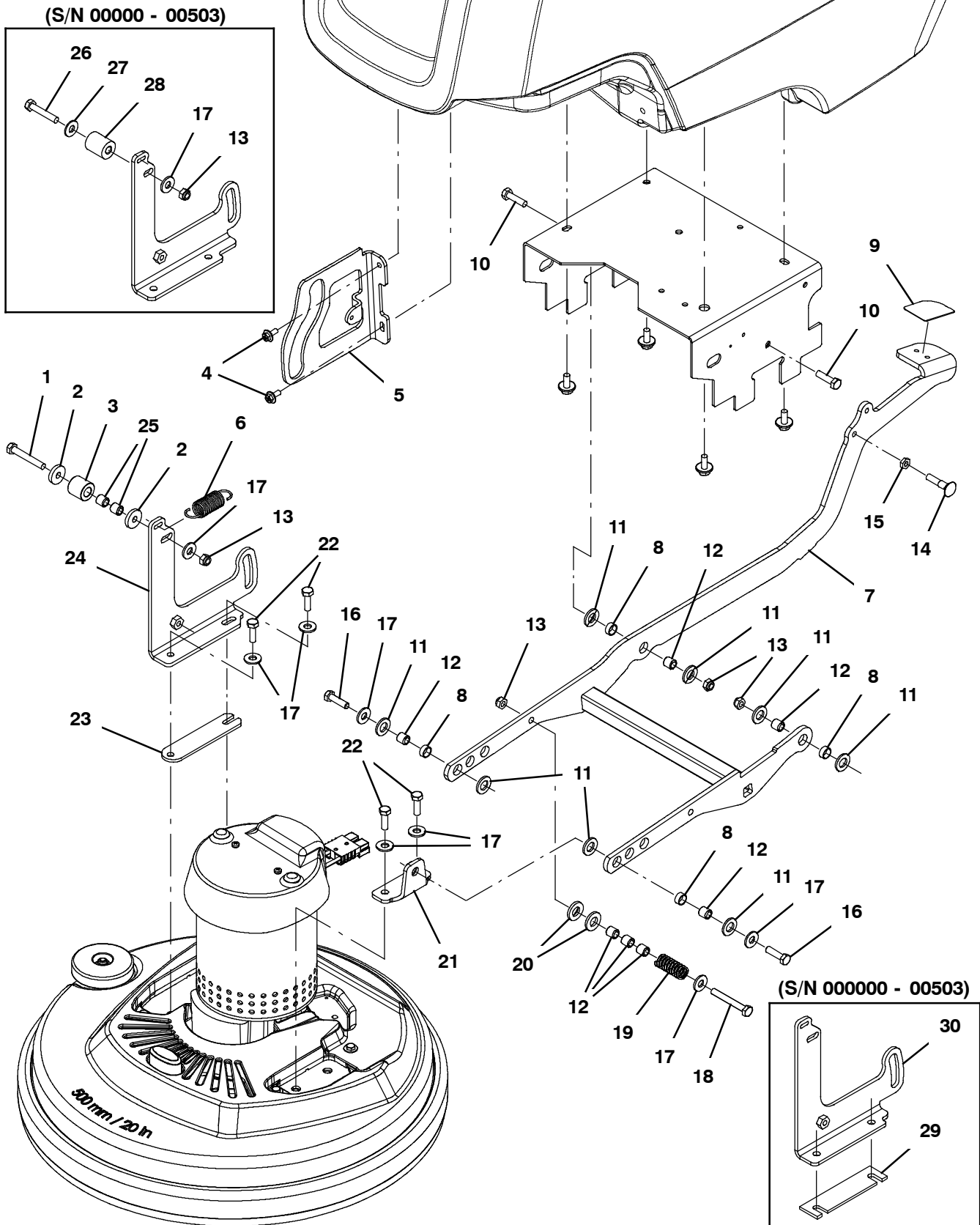


SHROUD GROUP, DISK HEAD

Ref.	Part No.	Serial Number	Description	Qty.
1	1210029	(00000-) Cover, Head, Disk, Im-Hg [T300]	1
2	01684	(00000-) Washer, Flat, 0.27b 0.69d .05, Ss	5
3	11329	(00000-) Screw, Hex, M6 X 1.00 X 16, NI, Ss	5
4	80491	(00000-) Sleeve, P/M, 0.25b 0.38d 0.2l [430ss]	3

SCRUB HEAD LIFT GROUP, 50CM DISK MODEL

355355



SCRUB HEAD LIFT GROUP, 50CM DISK MODEL

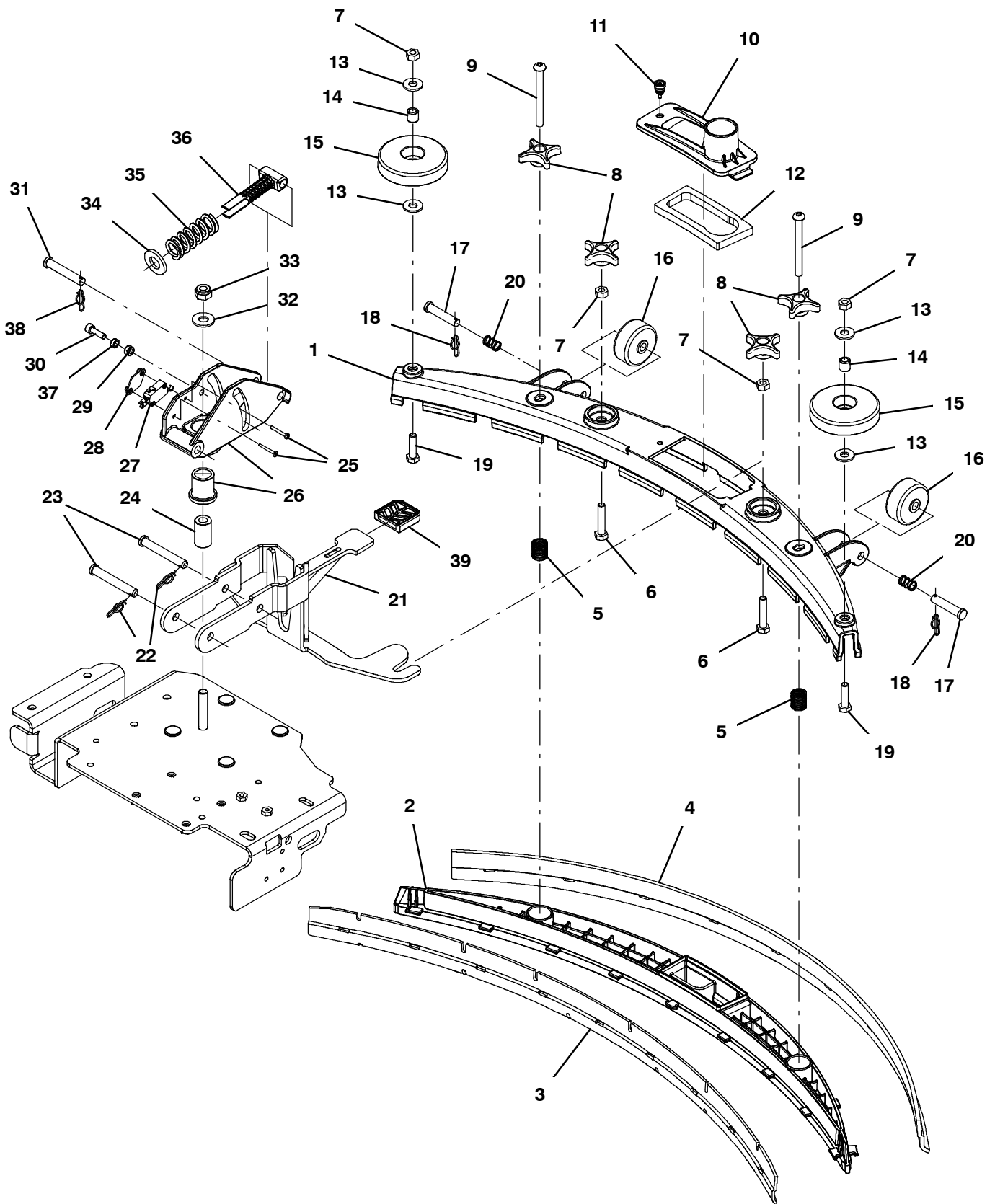
Ref.	Part No.	Serial Number	Description	Qty.	
1	222504	(00504-) Screw, Hex, M8 X 1.25 X 55, Ss	1	
2	1028796	(00504-) Washer, Flat, 0.33b 1.00d .18, Stl, Pl	2	
3	1014020	(00504-) Roller, 0.99d 0.50b 0.95l, Acetal	1	
4	1034731	(00000-) Screw, Hex, M6 X 1.00 X 16, Sems, Ss	2	
5	1213063	(00000-) Bracket, Guide, Head [Vw]	1	
6	1032420	(00000-) Spring, Extn, 0.85od 0.09wir 02.9l	1	
▽	7	9014170	(00000-) Kit, Lift, Head[T300/T300e/Ss300]	1
▲	8	630188	(00000-) Bearing, Journal, .50id X .25l	8
9	1218694	(00000-) Pad, Pedal, Lift	1	
10	09011	(00000-) Screw, Hex, M8 X 1.25 X 30, Ss	2	
11	1013936	(00000-) Washer, Flat, 0.51b 0.94d .10, Nyl	8	
12	222460	(00000-) Sleeve, P/M, 0.32b 0.50d 0.5l [430ss]	7	
13	08713	(00000-) Nut, Hex, Lock, M8 X 1.25, NI, Ss	4	
14	69915	(00000-) Bolt, Carriage, M8 X 1.25 X 40	1	
15	200101017	(00000-) Nut, Hex, Jam, M8 X 1.25	1	
16	1016399	(00000-) Screw, Hex, M8 X 1.25 X 30, NI, Ss	2	
17	01685	(00000-) Washer, Flat, 0.38b 0.88d .08, Ss	9	
18	1014163	(00000-) Screw, Hex, M8 X 1.25 X 60, Fl, Ss	1	
19	140430	(00000-) Spring, Cmpr, 0.70od .10wir 01.7l	1	
20	140127	(00000-) Washer, Thrust, 0.51b 1.00d 0.12w, Brz	2	
21	1210258	(00000-) Bracket Wldt, Head Mtg, 43d/50d, Short	1	
22	12333	(00000-) Screw, Hex, M8 X 1.25 X 25, Ss, NI	4	
23	1223982	(00504-) Spacer, Head, 4mm	1	
24	1223962	(00504-) Bracket Wldt, Mtg, Head, 43d/50d, Tall	1	
25	222460	(00504-) Sleeve, P/M, 0.32b 0.50d 0.5l [430ss]	2	
26	49694	(00000- 00503) Screw, Hex, M8 X 1.25 X 50, Ss	1	
27	01685	(00000- 00503) Washer, Flat, 0.38b 0.88d .08, Ss	1	
28	1214039	(00000- 00503) Roller, Lift, Head	1	
29	1032791	(00000- 00503) Spacer, Head, 4mm [Ss3]	1	
30	1210256	(00000- 00503) Bracket Wldt, Mtg, Head, 50d, Tall [Vw]	1	

▽ ASSEMBLY

▲ INCLUDED IN ASSEMBLY

SQUEEGEE GROUP

355305



SQUEEGEE GROUP

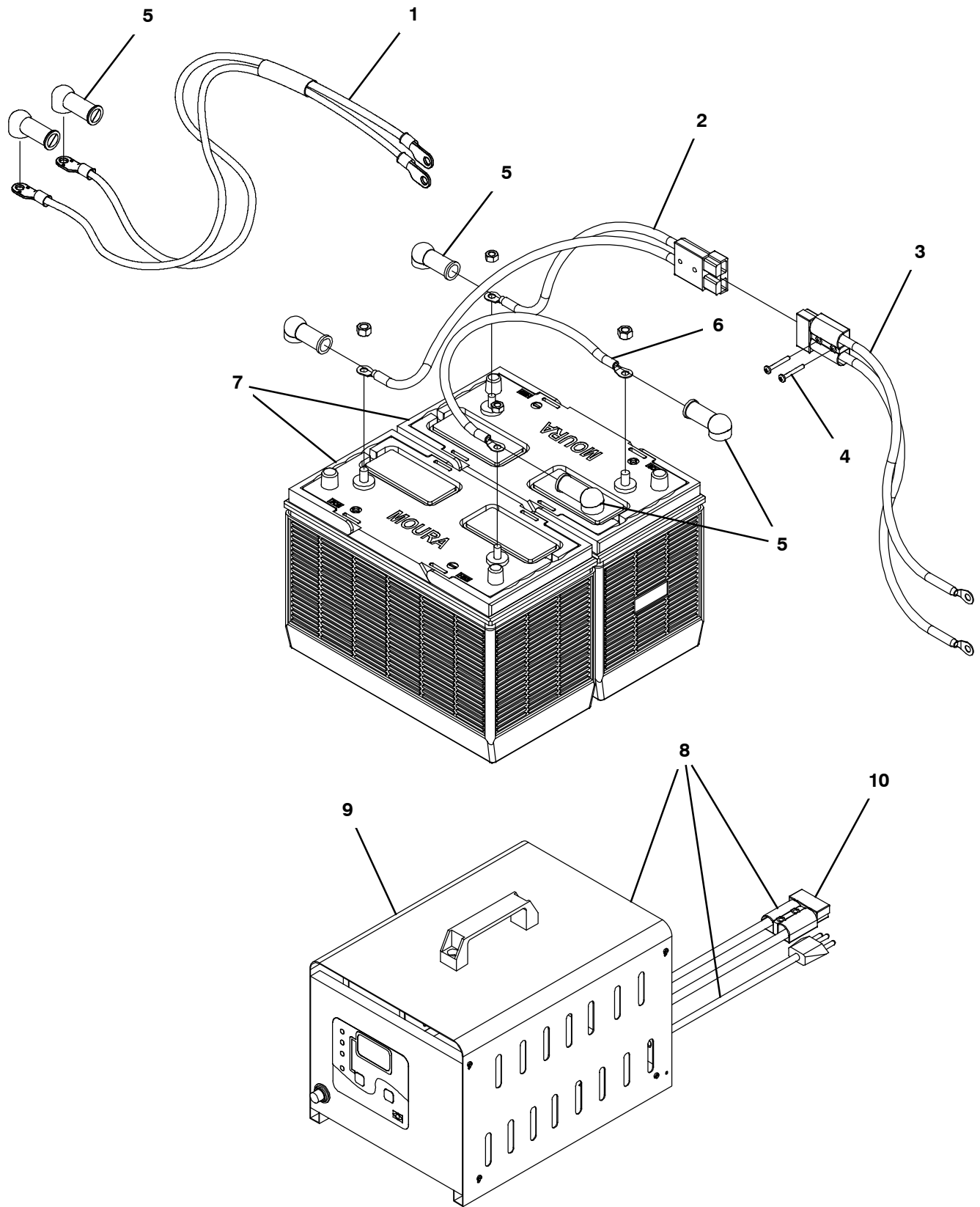
Ref.	Part No.	Serial Number	Description	Qty.
▽	9014172	(00000-) Squeegee Kit, Linatex, Am [T300/E/Ss300]	1
▲	1 1215681	(00000-) Frame, Sqge, 50cm, Mach [T300]	1
▲	2 1203638	(00000-) Retainer, Sqge [T300]	1
▲	3 1203954	(00000-) Blade, Sqge, Front, 788l, Linatex[500mm] (Standard)	1
	3 1215611	(00000-) Blade, Sqge, Front, 788l, Urethane[500mm] (Option)	1
	3 1215612	(00000-) Blade, Sqge, Front, 788l, Gum[500mm] (Option)	1
▲	4 1203953	(00000-) Blade, Sqge, Rear, 836l, Linatex[500mm] (Standard)	1
	4 1215609	(00000-) Blade, Sqge, Rear, 836l, Urethane[500mm] (Option)	1
	4 1215610	(00000-) Blade, Sqge, Rear, 836l, Gum[500mm] (Option)	1
▲	5 22290	(00000-) Spring, Cmpr, 0.72od .06wir 02.3l	2
▲	6 09023	(00000-) Screw, Hex, M8 X 1.25 X 35, Fl, Ss	2
▲	7 07786	(00000-) Nut, Hex, Std, M8 X 1.25, Ss	4
▲	8 1213677	(00000-) Knob, Star, 2.00od 4ear M8x1.25 [Yel]	4
▲	9 1212755	(00000-) Screw, Btn, Soc, M8x1.25x80, Ss	2
▲▽	10 1209631	(00000-) Cover, Trap, Water, Sqge	1
▲▲	11 1212683	(00000-) Screw, Captive, M5, Knurled [Snap In]	1
▲	12 1210756	(00000-) Gasket, Trap, Water, Sqge	1
▲	13 140027	(00000-) Washer, Flat, 0.35b 0.75d .04, Ss	4
▲	14 222460	(00000-) Sleeve, P/M, 0.32b 0.50d 0.5l [430ss]	2
▲	15 1010560	(00000-) Wheel, Bmpr, 80d X 25w, Non- Marking	2
▲	16 630477	(00000-) Wheel, Pyu, 02.0d 0.38w, Gray	2
▲	17 17461	(00000-) Pin, Clevis, 0.37d X 1.75l	2
▲	18 1216647	(00000-) Pin, Cotter, Hair, 0.38d .054 Wir	2
▲	19 1016399	(00000-) Screw, Hex, M8 X 1.25 X 30, NI, Ss	2
▲	20 1017091	(00000-) Spring, Cmpr, 0.50od .04wir 00.8l	2
	21 9014303	(00000-) Bracket Kit, Sqge, Wdt [T300/E, Ss300]	1
	22 1216647	(00000-) Pin, Cotter, Hair, 0.38d .054 Wir	2
	23 391179	(00000-) Pin, Clevis, 0.37d X 2.62l	2
	24 1214467	(00000-) Sleeve, P/M, 0.41b 0.75d 1.3l [430ss]	1
	25 33933	(00000-) Screw, Pan, Phl, M3 X 0.50 X 25, Ss	1
	26 9014301	(00000-) Bracket Kit, Sqge, Lift [T300/E, Ss300]	1
	27 1215716	(00000-) Switch, 0.1a, Spdt[Micro, Gold Contacts]	1
	28 1013705	(00000-) Plate, Thread, Switch, M3 Nut, 96hr PI	1
	29 08712	(00000-) Nut, Hex, Lock, M6 X 1.00, NI, Ss	1
	30 33951	(00000-) Screw, Soc, M6 X 1.00 X 20, 12.9	1
	31 51813	(00000-) Pin, Clevis, 0.37d X 2.12l	1
	32 140045	(01380-) Washer, Flat, 0.51b 1.25d .06, Ss	1
	32 01686	(00000- 01379) Washer, Flat, 0.44b 1.00d .08, Ss	1
	33 08714	(00000-) Nut, Hex, Lock, M10 X 1.5, NI, Ss	1
	34 69954	(00000-) Washer, Thrust, 0.63b 1.25d 0.13w	1
	35 1215756	(00000-) Spring, Cmpr, 0.98od .146wir 02.5l	1
	36 1230485	(00407-) Pin, Guide, Spring [T300]	1
	36 1209782	(00000- 00406) Pin, Guide, Spring	1
	37 80491	(00000-) Sleeve, P/M, 0.25b 0.38d 0.2l [430ss]	1
	38 1216647	(00000-) Pin, Cotter, Hair, 0.38d .054 Wir	1
	39 1212533	(00000-) Cover, Pedal, Lift	1

▽ ASSEMBLY

▲ INCLUDED IN ASSEMBLY

BATTERY GROUP, MOURA 140AH

355394



BATTERY GROUP, MOURA 140AH

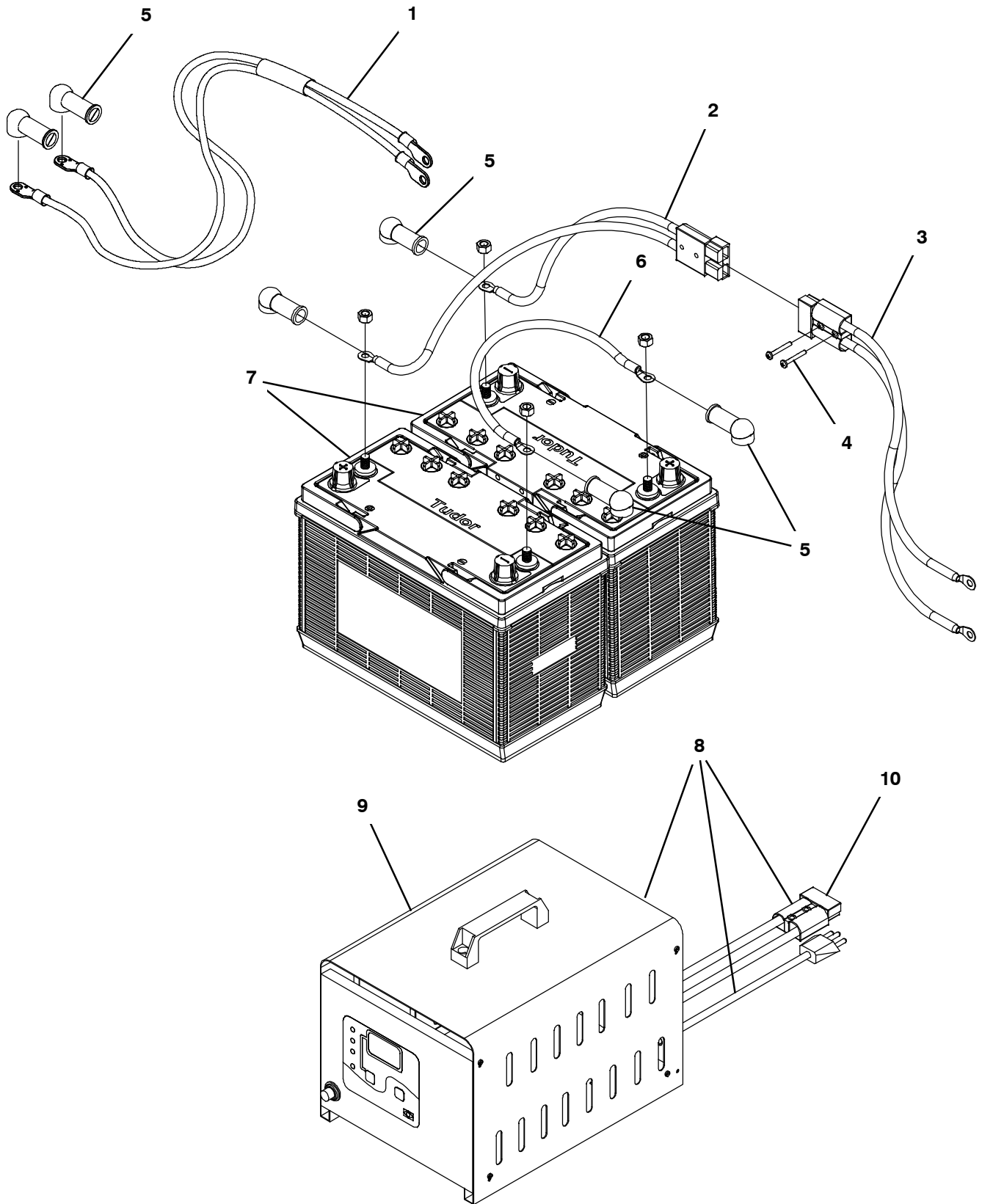
Ref.	Part No.	Serial Number	Description	Qty.
	1	1074847	(00770-) Cable, Assy [T300e]	1
▽		9014781	(00000- 00769) Cable Kit, Battery, Ring, Tray,Ci[T300e]	1
▲	2	1073628	(00000- 00769) Cable, Battery, 4ga [M8 Ring/M8 Ring]	1
▲	3	1073629	(00000- 00769) Cable, Battery, 4ga [M8 Ring/M8 Ring]	1
▲	4	33931	(00000- 00769) Screw, Pan, Phl, M4 X 0.70 X 30, Ss	2
	5	611221	(00770-) Boot, Terminal, Battery, 25.4mm, Blk	2
	5	611221	(00000- 00769) Boot, Terminal, Battery, 25.4mm, Blk	4
	6	1073680	(00000-) Cable, 04ga 15.0l Blk [M8 Ring/M8 Ring]	1
	7	MT28024	(00000-) Battery, Moura 12v 140ah 20h	2
▽	8	MT29200T	(00000-) Charger Assy, Batt KM 24v/20 T3/A3	1
▲	9	MT29200	(00000-) Charger, Batt KM 24v/20 A	1
▲	10	49548	(00000-) Connector, Anderson, 050a, Red	1

▽ ASSEMBLY

▲ INCLUDED IN ASSEMBLY

BATTERY GROUP, TUDOR 130AH

355395



BATTERY GROUP, TUDOR 130AH

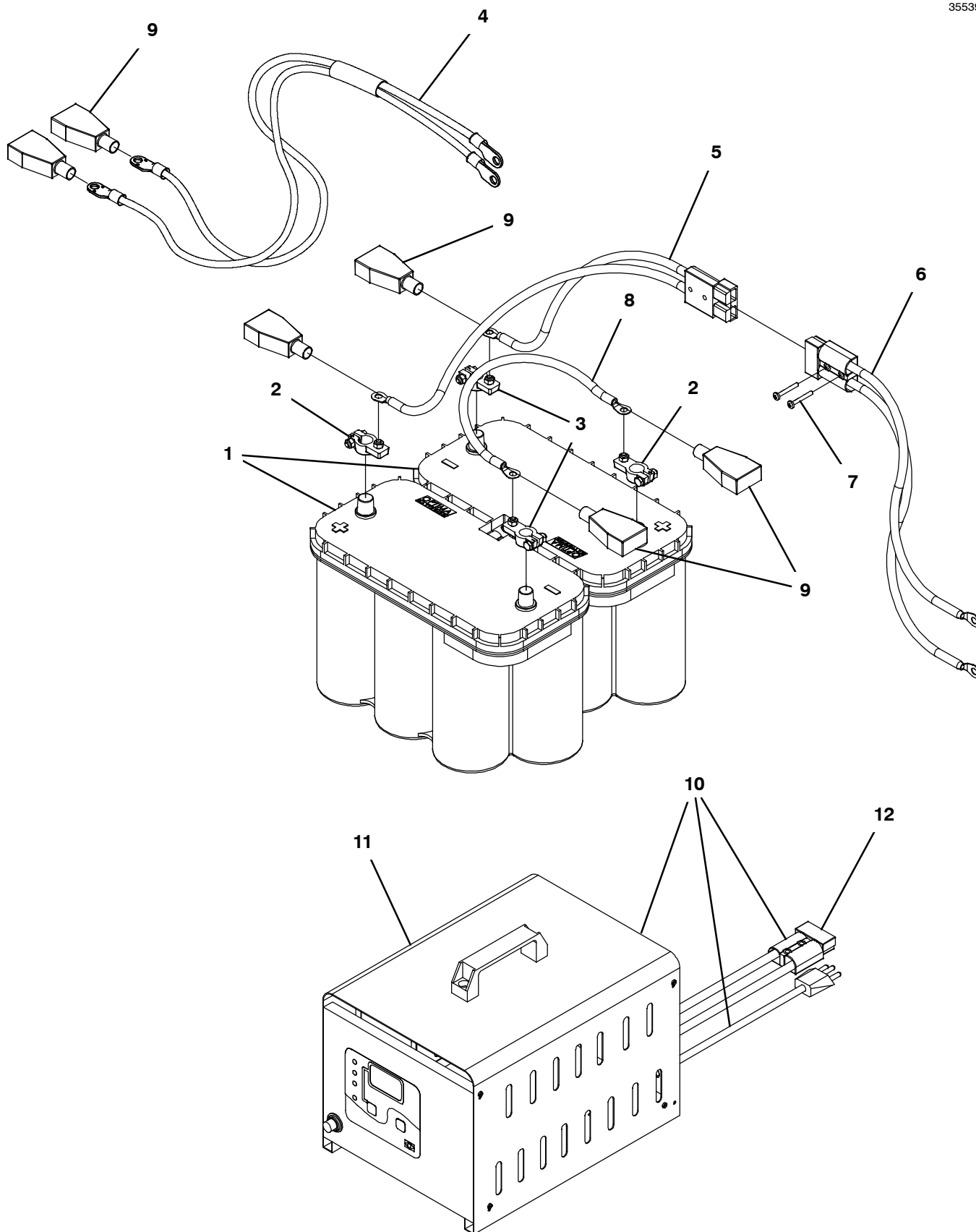
Ref.	Part No.	Serial Number	Description	Qty.
	1	1074847	(00770-) Cable, Assy [T300e]	1
▽		9014781	(00000- 00769) Cable Kit, Battery, Ring, Tray,Ci[T300e]	1
▲	2	1073628	(00000- 00769) Cable, Battery, 4ga [M8 Ring/M8 Ring]	1
▲	3	1073629	(00000- 00769) Cable, Battery, 4ga [M8 Ring/M8 Ring]	1
▲	4	33931	(00000- 00769) Screw, Pan, Phl, M4 X 0.70 X 30, Ss	2
	5	611221	(00770-) Boot, Terminal, Battery, 25.4mm, Blk	2
	5	611221	(00000- 00769) Boot, Terminal, Battery, 25.4mm, Blk	4
	6	1073680	(00000-) Cable, 04ga 15.0l Blk [M8 Ring/M8 Ring]	1
	7	MT28033	(00000-) Battery, Tudor 12v 130ah 20h	2
▽	8	MT29200T	(00000-) Charger Assy, Batt KM 24v/20 T3/A3	1
▲	9	MT29200	(00000-) Charger, Batt KM 24v/20 A	1
▲	10	49548	(00000-) Connector, Anderson, 050a, Red	1

▽ ASSEMBLY

▲ INCLUDED IN ASSEMBLY

BATTERY GROUP, OPTIMA 75AH

355396



BATTERY GROUP, OPTIMA 75AH

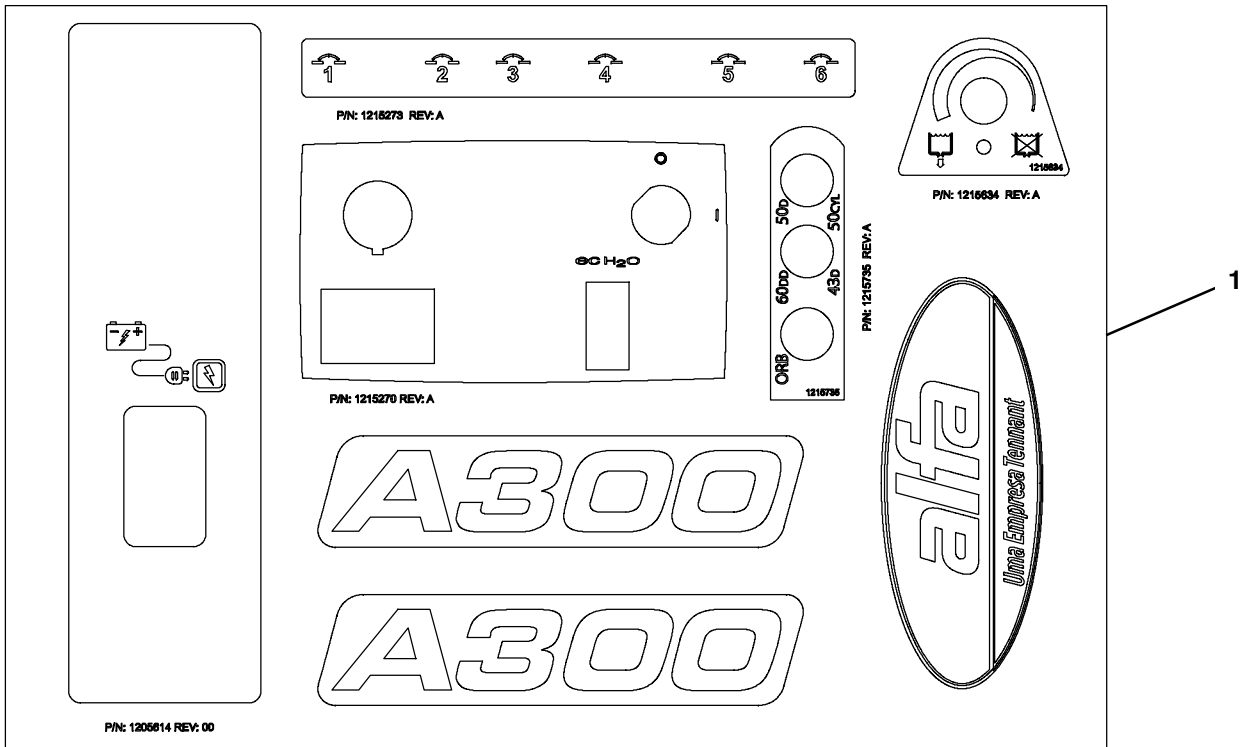
Ref.	Part No.	Serial Number	Description	Qty.	
1	MT28032	(00000-) Battery, Optima 12v 75ah Yellow	2	
2	TN1180N	(00000-) Terminal, Battery, Pos	2	
3	TN1181N	(00000-) Terminal, Battery, Neg	2	
4	1074847	(00770-) Cable, Assy [T300e]	1	
▽	9014781	(00000- 00769) Cable Kit, Battery, Ring, Tray,Ci[T300e]	1	
▲	5	1073628	(00000- 00769) Cable, Battery, 4ga [M8 Ring/M8 Ring]	1	
▲	6	1073629	(00000- 00769) Cable, Battery, 4ga [M8 Ring/M8 Ring]	1	
▲	7	33931	(00000- 00769) Screw, Pan, Phl, M4 X 0.70 X 30, Ss	2	
8	1073680	(00000-) Cable, 04ga 15.0l Blk [M8 Ring/M8 Ring]	1	
9	1205540	(00770-) Boot, Terminal, Battery, 1/0- 2/0ga, Blk	2	
9	1205540	(00000- 00769) Boot, Terminal, Battery, 1/0- 2/0ga, Blk	4	
▽	10	CBHF2NC	(00000-) Charger Assy, Batt KM 24v/30 A3 Opt	1
▲	11	CBHF2N	(00000-) Charger, Batt KM 24v/30a IUJA A3 Opt	1
▲	12	49548	(00000-) Connector, Anderson, 050a, Red	1

▽ ASSEMBLY

▲ INCLUDED IN ASSEMBLY

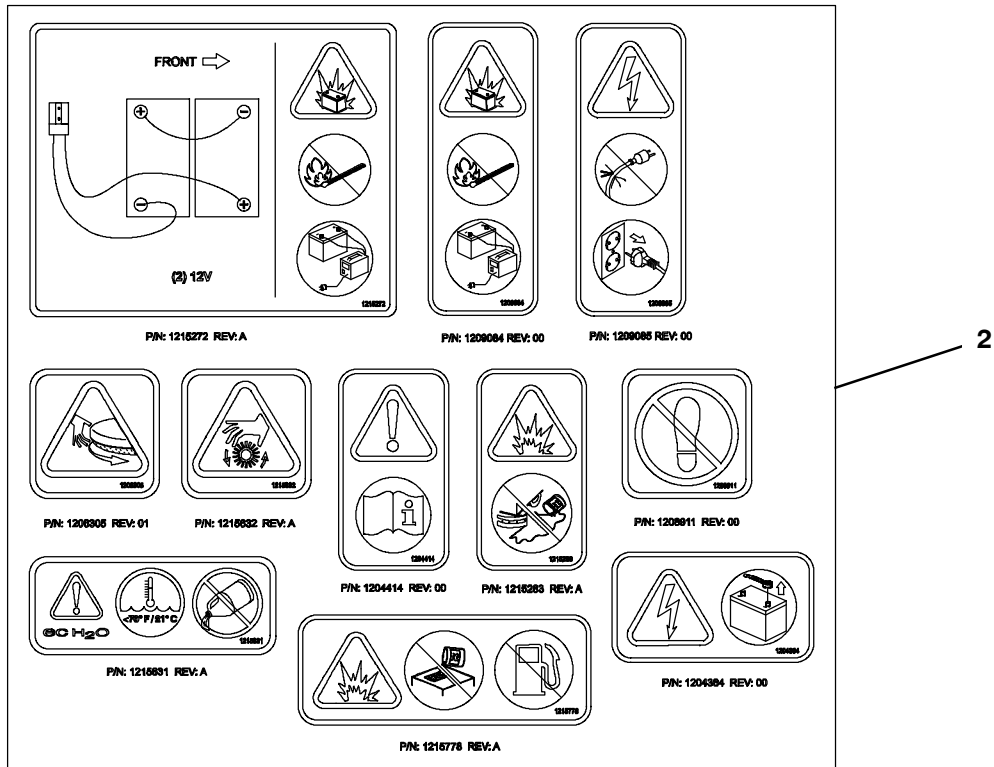
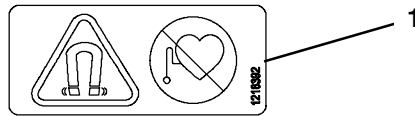
LABEL GROUP

355387



Ref.	Part No.	Serial Number	Description	Qty.
1	1221359	(00000-) Label Sheet, Operational	1
2	TN1060761N	(00000-) Label, Logo [Alfa]	1
3	1216533	(00000-) Label, Logo [Ech2o Nano Nobles] (ec- H2O Model)	2

LABEL GROUP - CONT'D



Ref.	Part No.	Serial Number	Description	Qty.
1	1218392	(00000-) Label, Safety, Magnet, Med (Magnetic Heads)	1
2	1215776	(00000-) Label Sheet, Info/Hzrd [Ce] (Brazil)	1

STANDARD PARTS

DOCUMENTATION GROUP

Ref.	Part No.	Serial Number	Description	Qty.
	9014552	(00000-) Manual, Parts [A300]	1
	9014553	(00000-) Manual, Oprtr [A300, En]	1
	9014554	(00000-) Manual, Oprtr [A300, Pt]	1
	9014555	(00000-) Manual, Oprtr [A300, Es]	1
	9014556	(00000-) Instr, Wall Chart [A300]	1

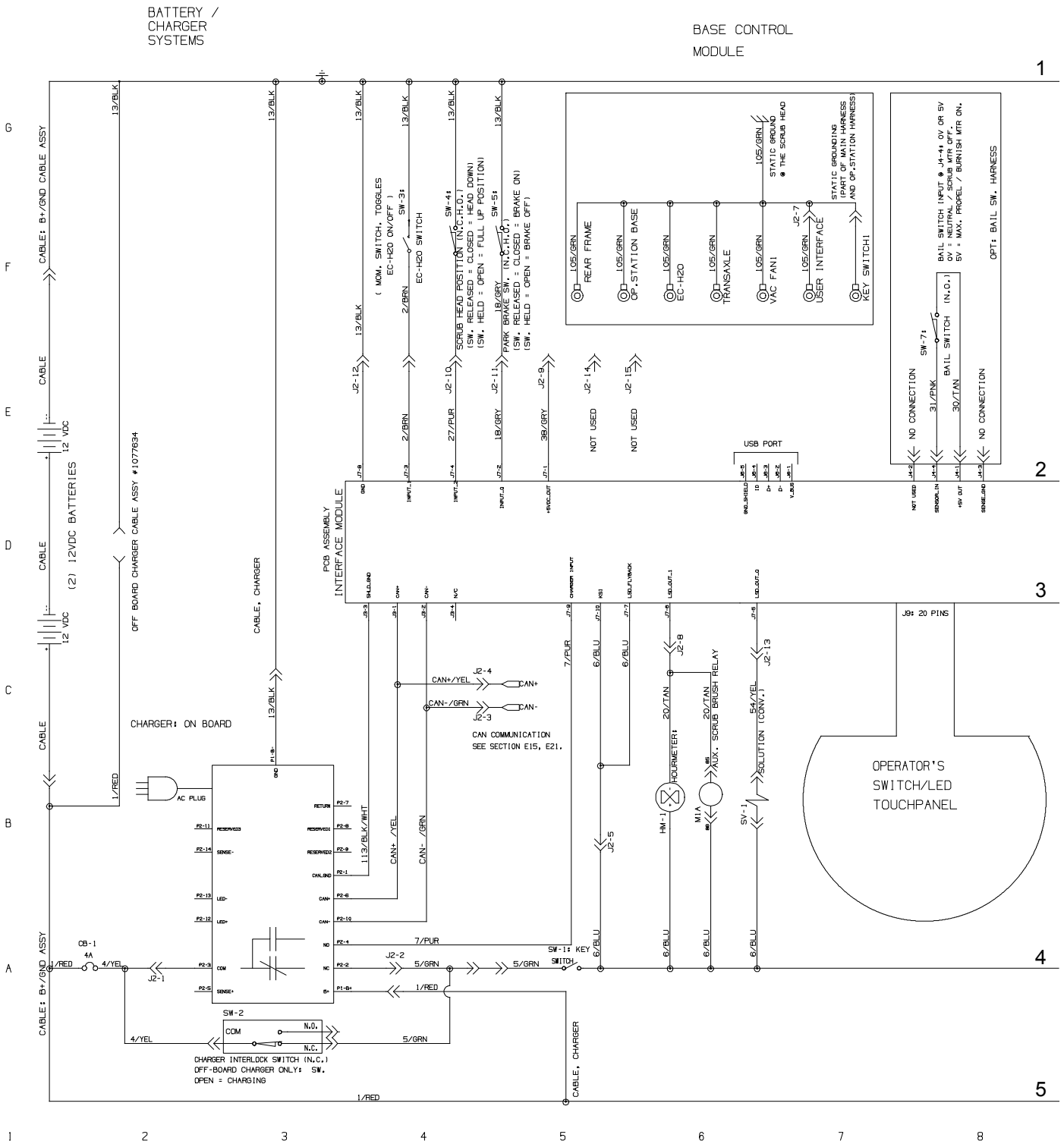


To view, print, order, download the latest Parts manual, other language Operator manuals, and Use and Care Guides (wall charts), visit:

www.alfa.com/manuals

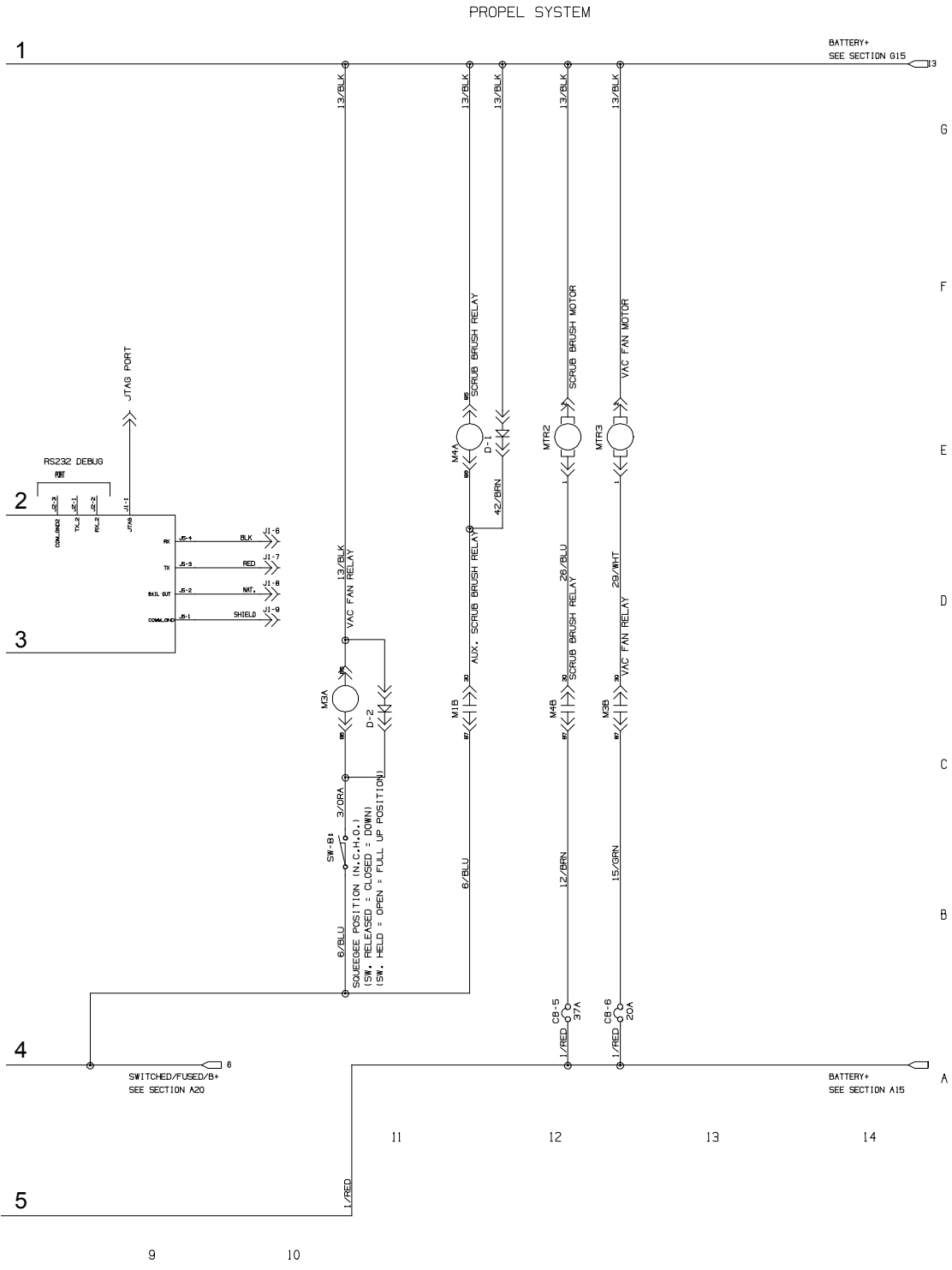
ELECTRICAL DIAGRAM, PUSH (S/N 00780 -) (PAGE 1 OF 3)

1074708_02



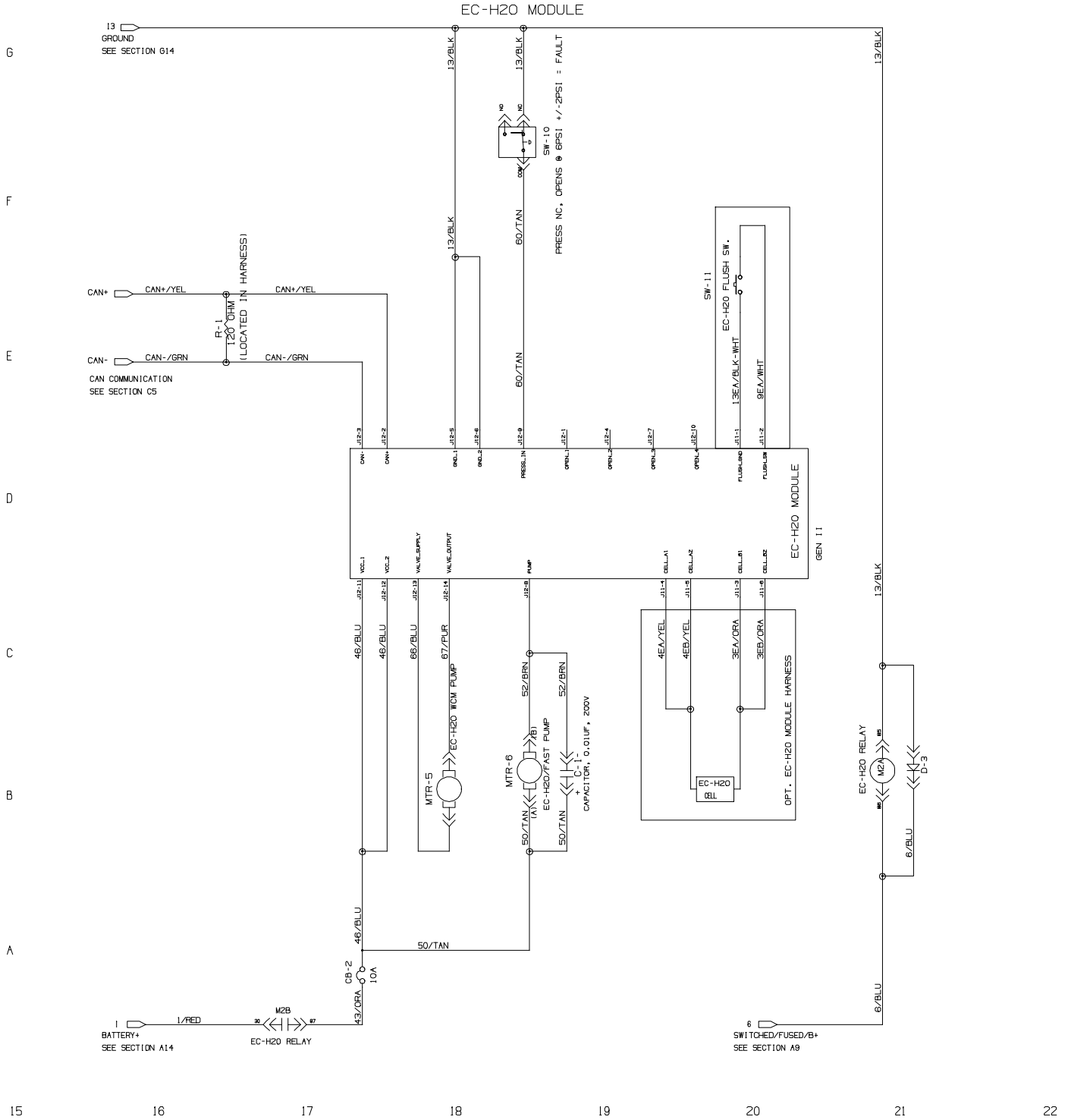
ELECTRICAL DIAGRAM, PUSH (S/N 00780 -) (PAGE 2 OF 3)

1074708_02



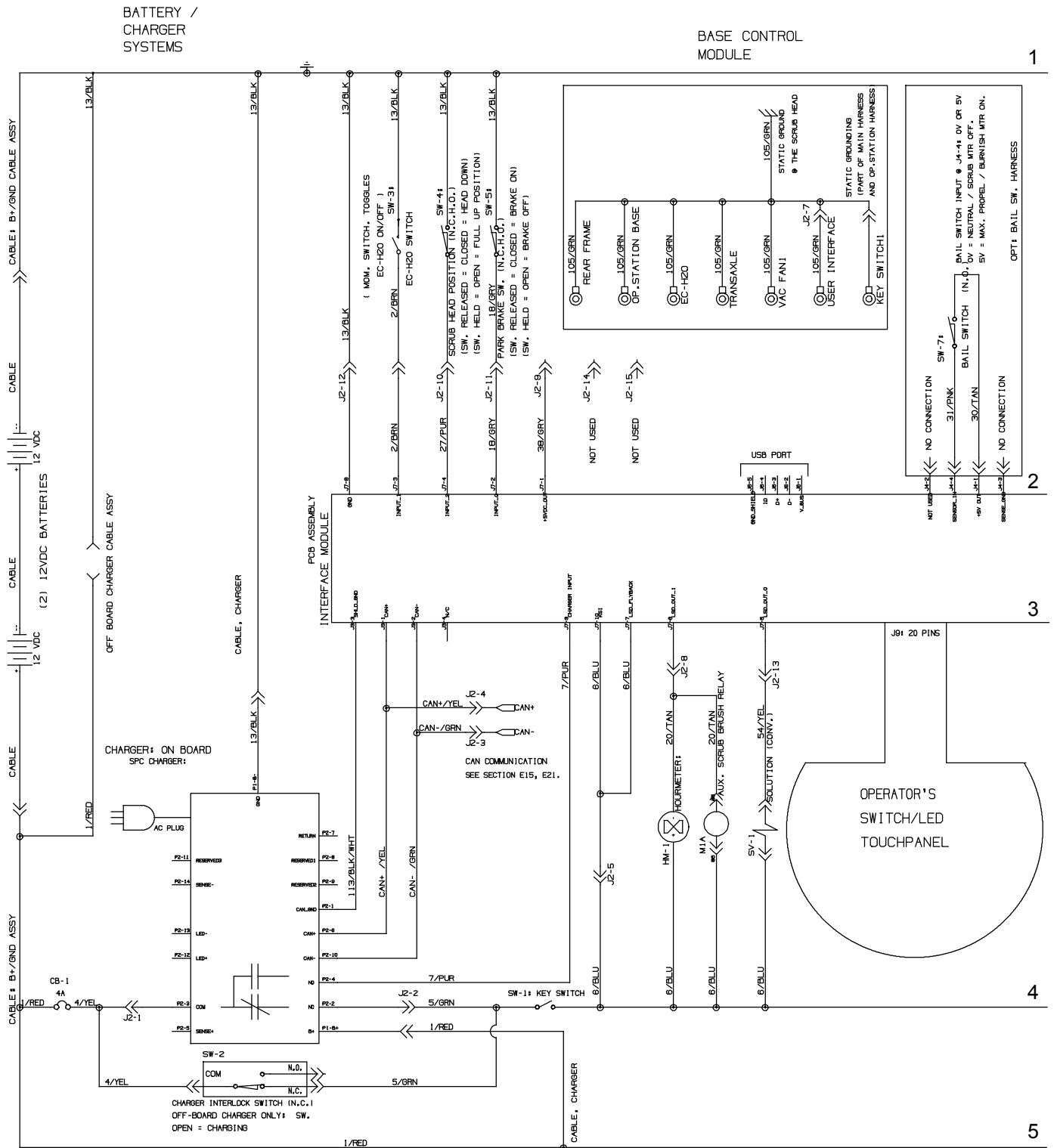
ELECTRICAL DIAGRAM, PUSH (S/N 00780 -) (PAGE 3 OF 3)

1074708_02



ELECTRICAL DIAGRAM, PUSH (S/N 0000 - 00779) (PAGE 1 OF 3)

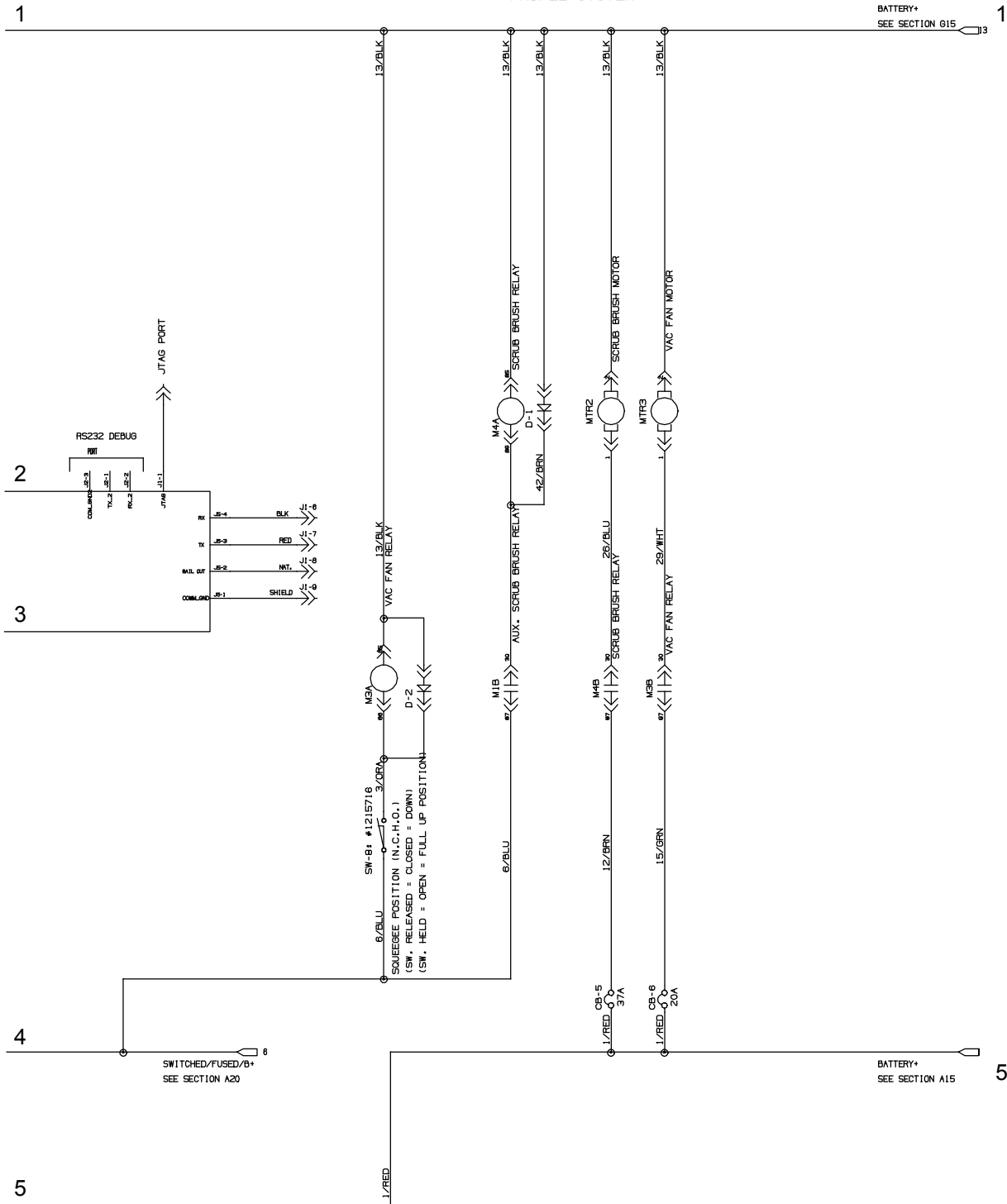
1074708_00



ELECTRICAL DIAGRAM, PUSH (S/N 0000 - 00779) (PAGE 2 OF 3)

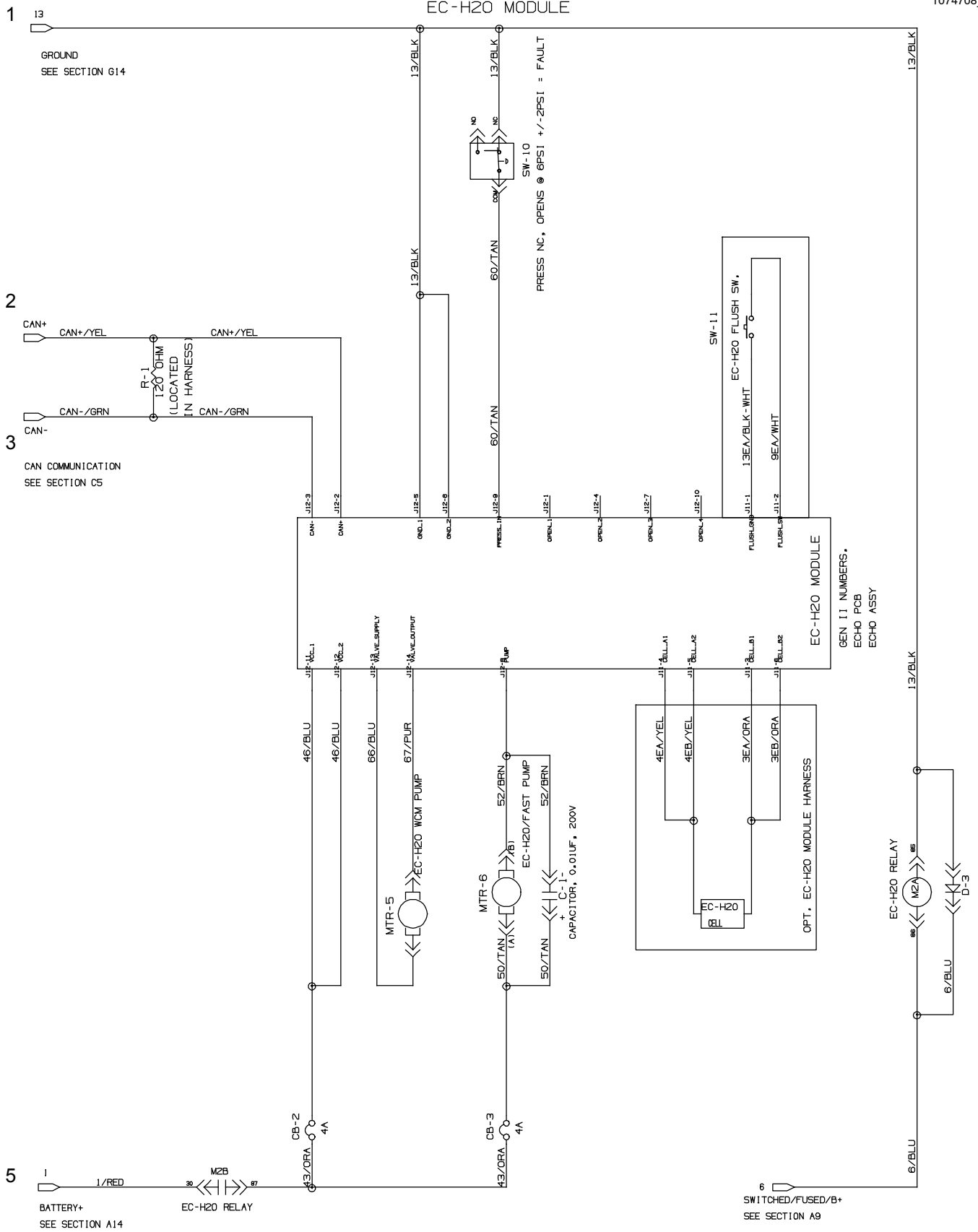
1074708_00

PROPEL SYSTEM



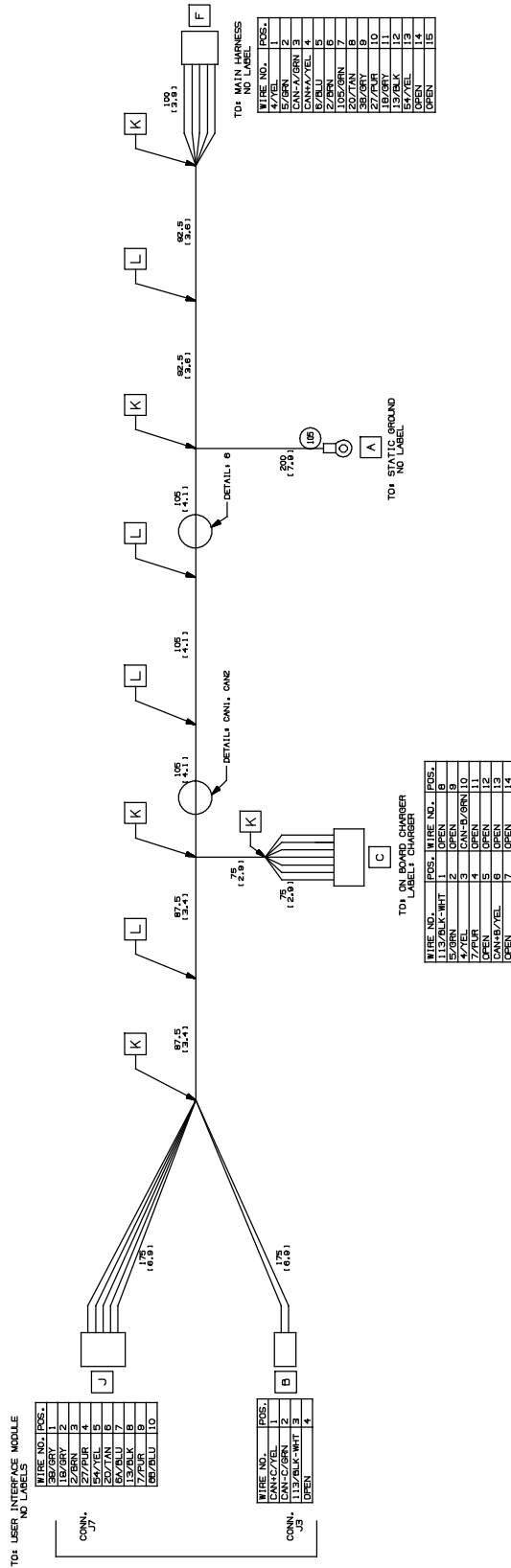
ELECTRICAL DIAGRAM, PUSH (S/N 0000 - 00779) (PAGE 3 OF 3)

1074708_00



ELECTRICAL HARNESS, OPTIONS PUSH

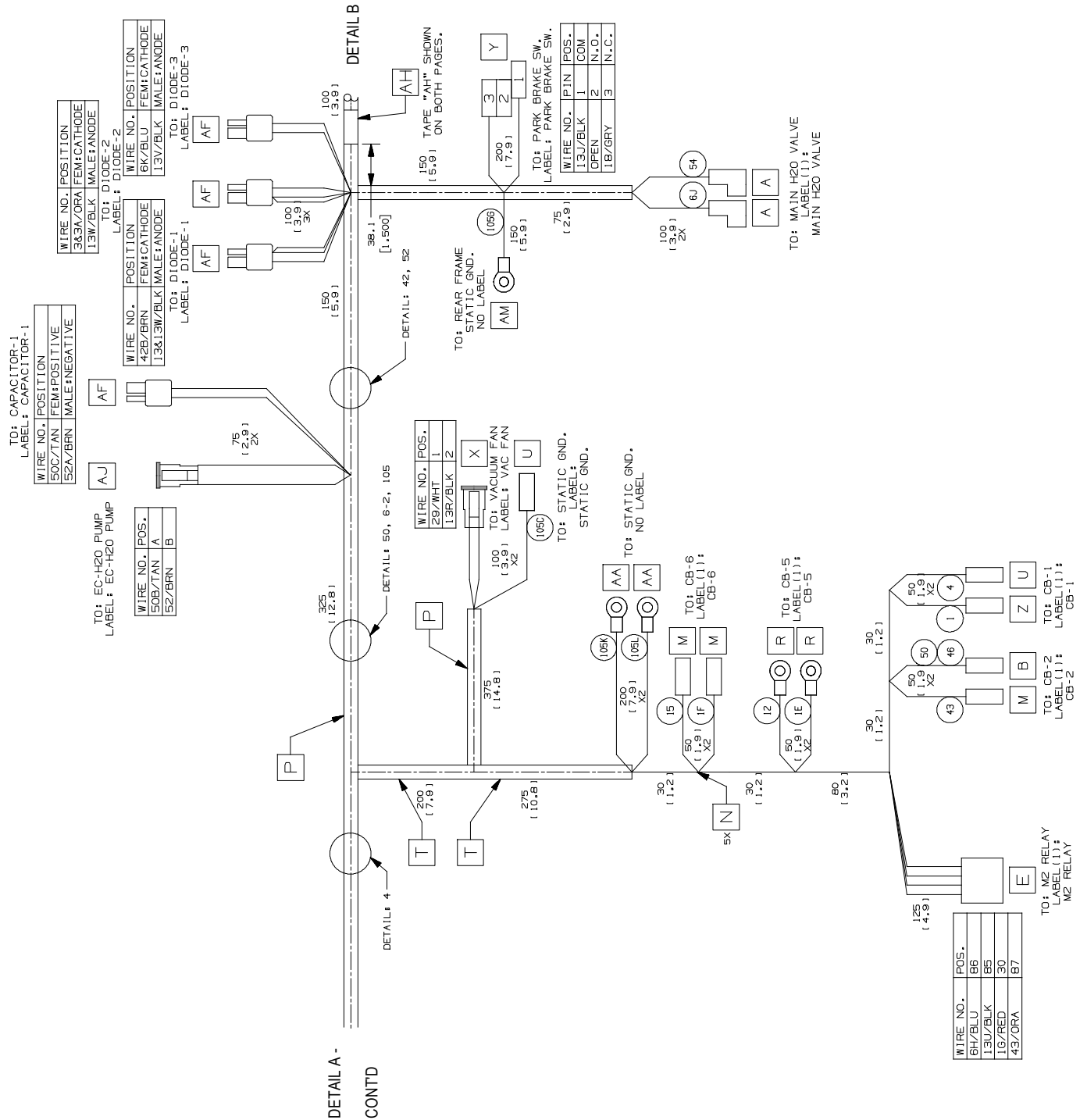
1073593



Part No.	Serial Number	Description	Qty.
1073593	(00000-) Harness, Ele [Vw, Op.Stat, Push]	1

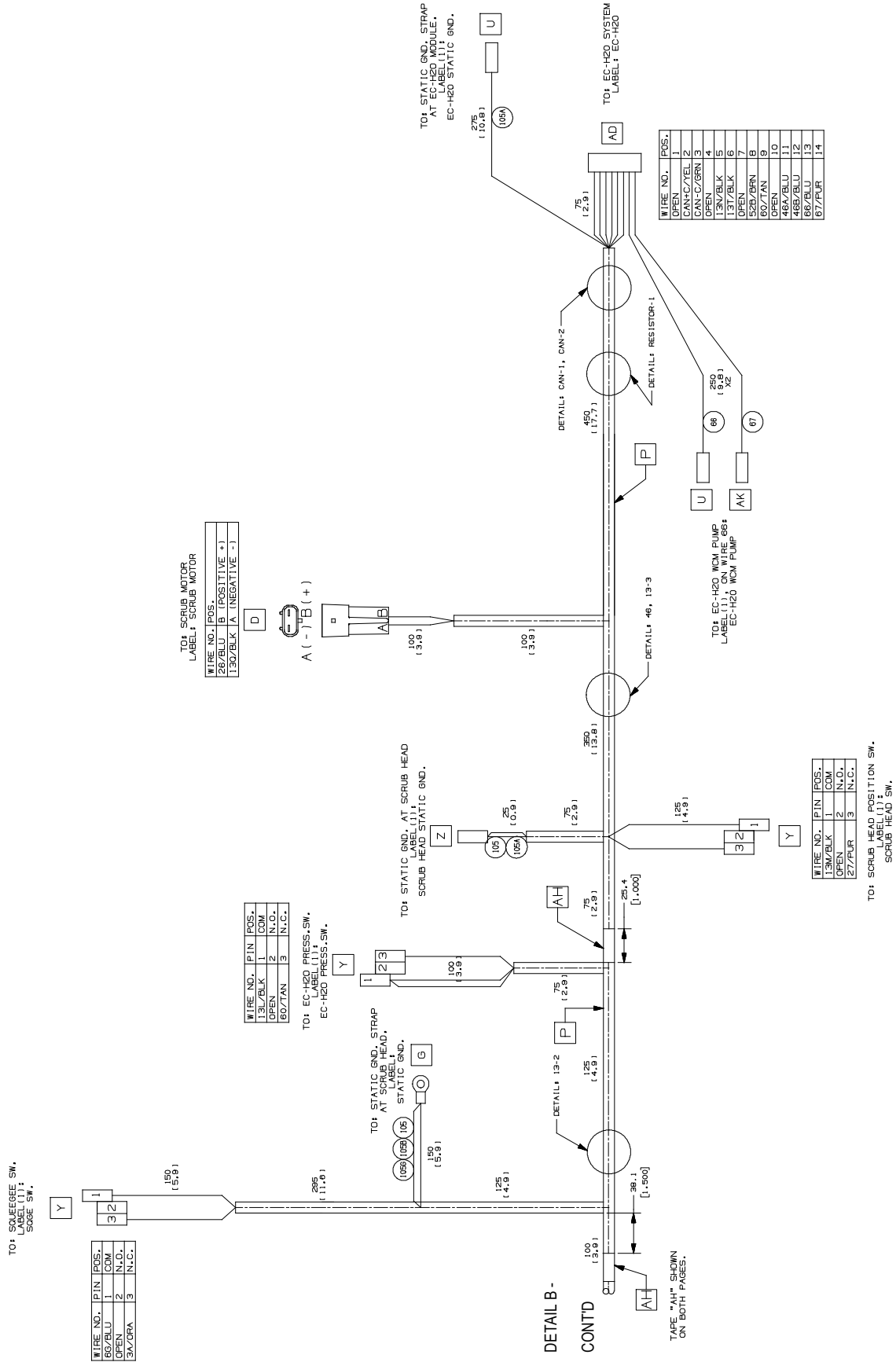
ELECTRICAL HARNESS, MAIN PUSH (S/N 00780 -) (PAGE 2 OF 3)

1076141_02



ELECTRICAL HARNESS, MAIN PUSH (S/N 00780 -) (PAGE 3 OF 3)

1076141_02



STANDARD PARTS

ELECTRICAL HARNESS, MAIN PUSH (S/N 00780 -)

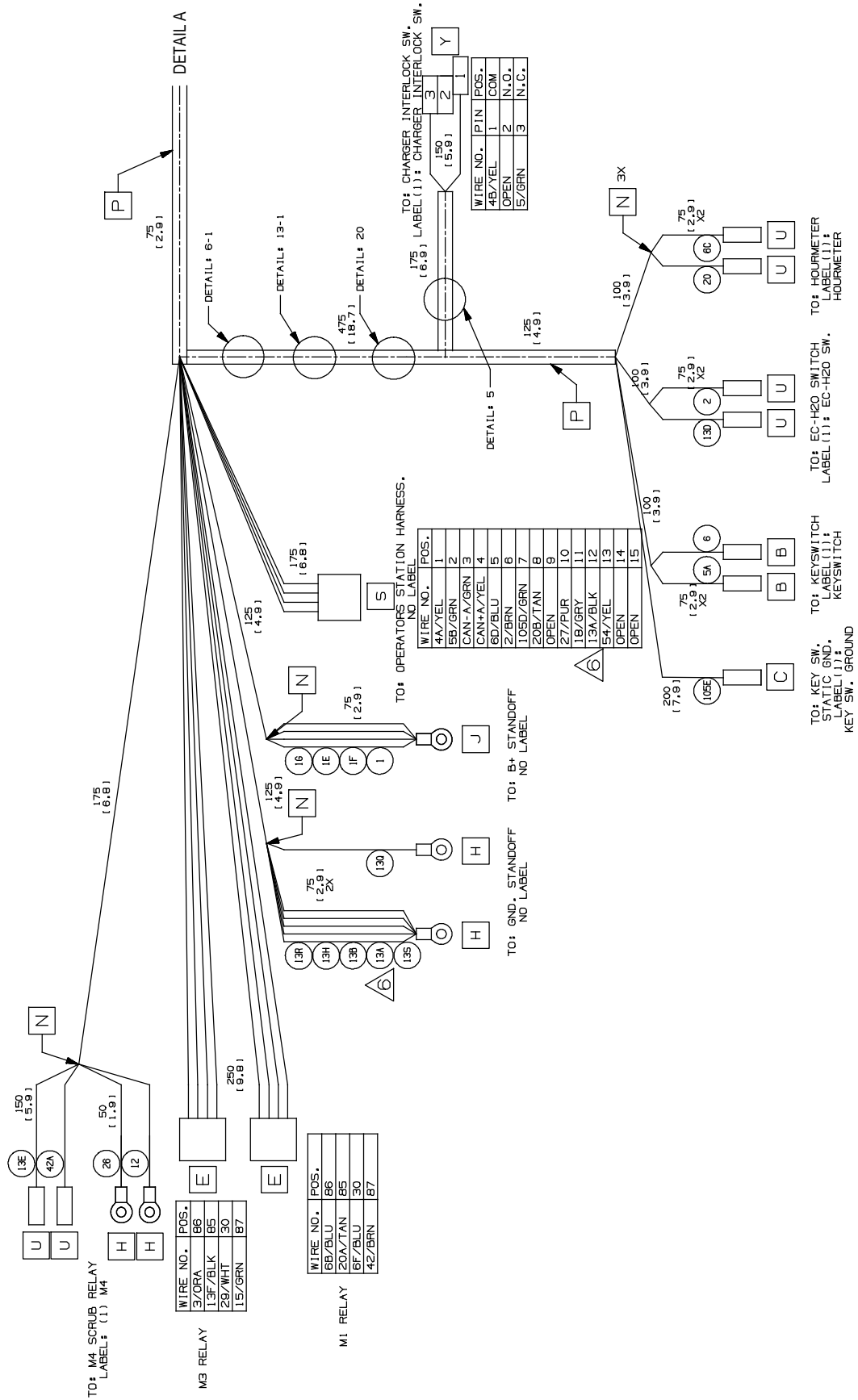
	Part No.	Serial Number	Description	Qty.
▽	9015156	(00780-) Harness Kit, Main, Ele [Vw, Base, Push]	1
▲	222290	(00780-) Diode, Ele, Plug	4
▲	1040868	(00000-) Capacitor, Plug [.01 Uf, 200v]	1

▽ ASSEMBLY

▲ INCLUDED IN ASSEMBLY

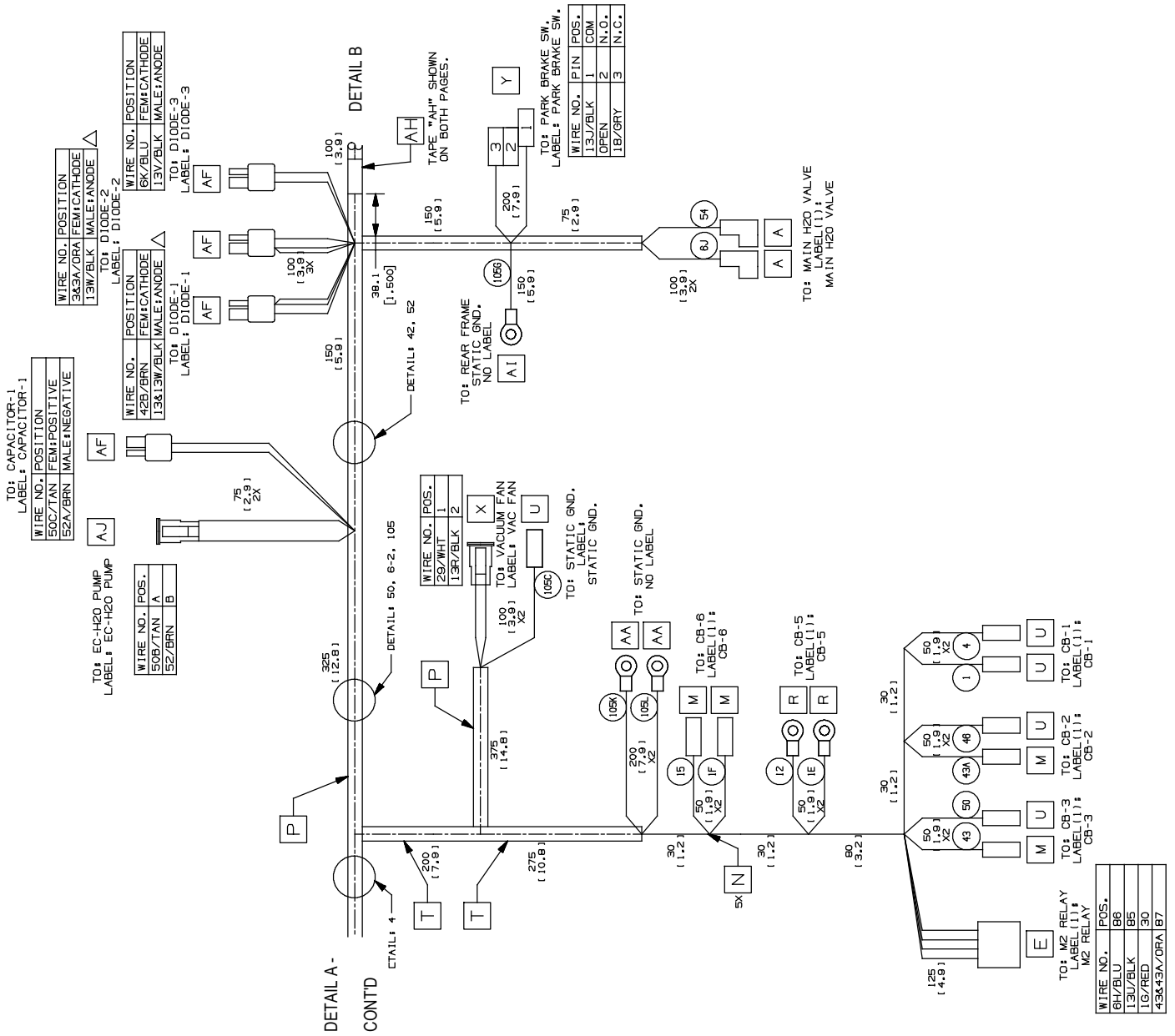
ELECTRICAL HARNESS, MAIN PUSH (S/N 0000 - 00779) (PAGE 1 OF 3)

1073677



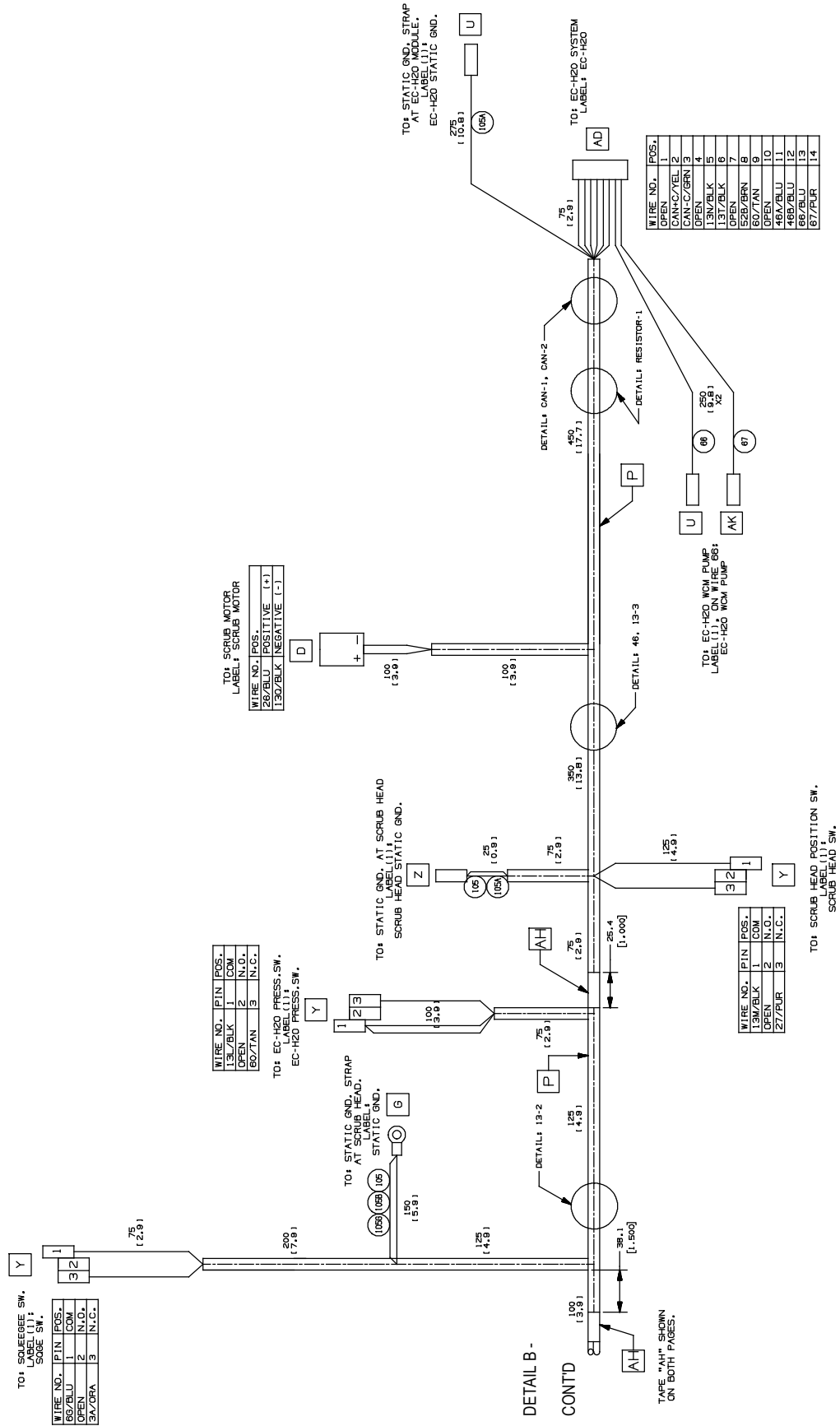
ELECTRICAL HARNESS, MAIN PUSH (S/N 0000 - 00779) (PAGE 2 OF 3)

1073677



ELECTRICAL HARNESS, MAIN PUSH (S/N 00000 - 00779) (PAGE 3 OF 3)

1073677



STANDARD PARTS

ELECTRICAL HARNESS, MAIN PUSH (S/N 00000 - 00779)

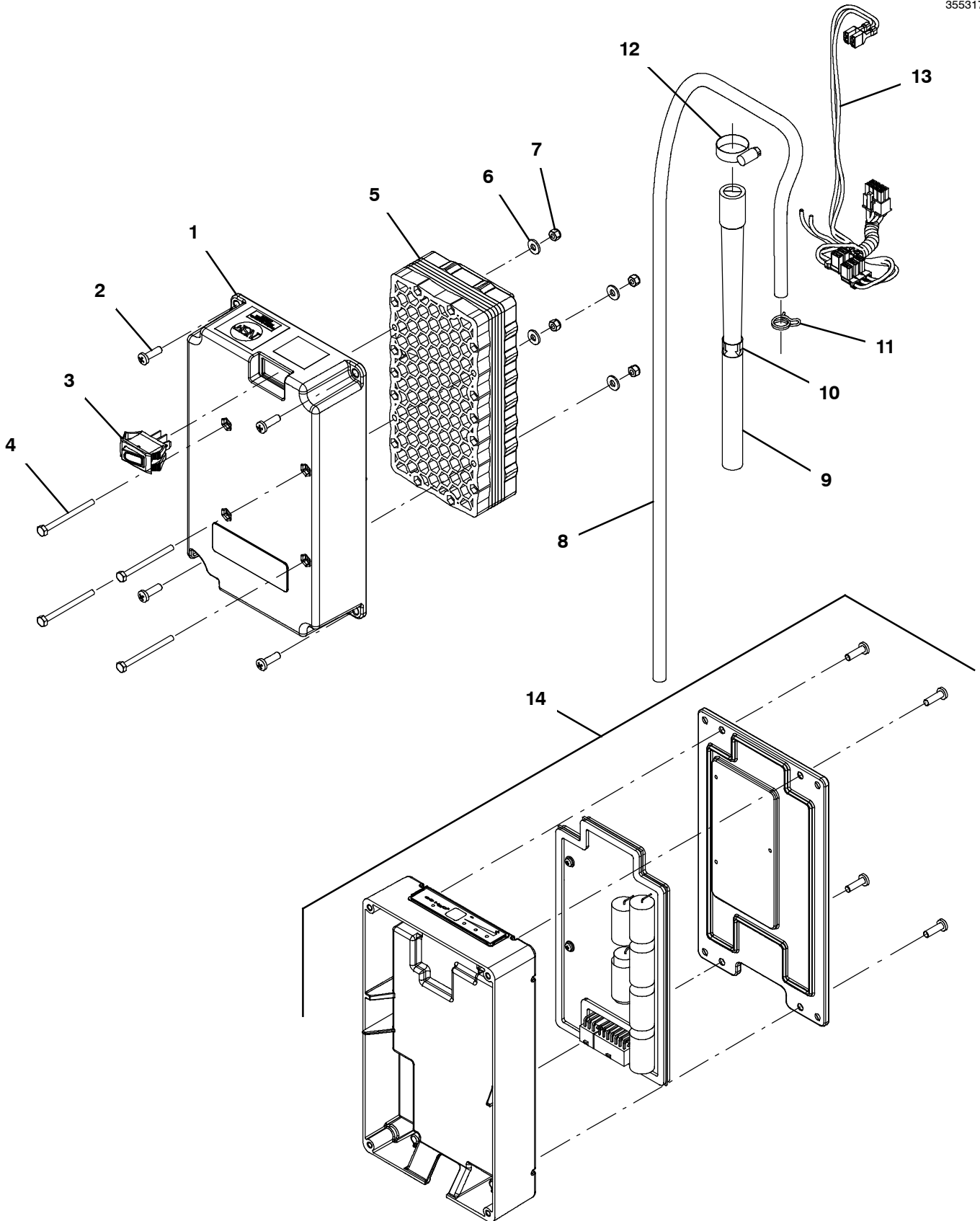
	Part No.	Serial Number	Description	Qty.
▽	1073677	(00000- 00779) Harness, Main, Ele [Vw, Base, Push] (Replaced By 9015156)	1
▲	222290	(00000- 00779) Diode, Ele, Plug	3
▲	1040868	(00000-) Capacitor, Plug [.01 Uf, 200v]	1

▽ ASSEMBLY

▲ INCLUDED IN ASSEMBLY

ec- H2O NANOCLEAN MODULE BREAKDOWN

355317



ec- H2O NANOCLEAN MODULE BREAKDOWN

Ref.	Part No.	Serial Number	Description	Qty.
▽	9011810	(00000-) Module Kit, Replmt [Ec- H2o, B 02] (Includes ec- H2O NanoClean Cartridge)	1
▲▽	9014126	(00000-) Ec- H2o Nc Kit [Module B, Plumbing]	1
▲▲	1 1208823	(00000-) Housing, Module, Upper, Ec- H2o	1
▲▲	2 1015506	(00000-) Screw, Pan, Phl, M5 X 16, Tcut [Plastic]	4
▲▲	3 1044393	(00000-) Switch, Rocker, Spst, Mom	1
▲▲	4 32509	(00000-) Screw, Hex, M4 X 0.70 X 50, Ss	4
▲▲	5 1208164	(00000-) Electrode, 5 Plate, High Flow	1
▲▲	6 41579	(00000-) Washer, Flat, 08, Ss	4
▲▲	7 33932	(00000-) Nut, Hex, Lock, M4 X 0.70, Ni, Ss	4
▲▲	8 1006415	(00000-) Hose, Afmkt, Pvc, Clr, 0.25id, 03ft	1
▲▲	9 1208526	(00000-) Hose, Molded, Bm08/Bm06	1
▲▲	10 1049637	(00000-) Label, Direction [Ec- H2o]	1
▲▲	11 613735	(00000-) Clamp, Hose, Wir, .40 - .42, Yel	1
▲▲	12 54333	(00000-) Clamp, Hose, Wormdrive, 0.31- 0.88d, .31w	1
▲▲	13 1073286	(00000-) Harness, Ele, Module B2 [Ec- H2o]	1
▲	14 9014127	(00000-) Controller Kit, Replmt [Ec- H2o Nc] (Includes ec- H2O NanoClean Cartridge)	1

▽ ASSEMBLY

▲ INCLUDED IN ASSEMBLY